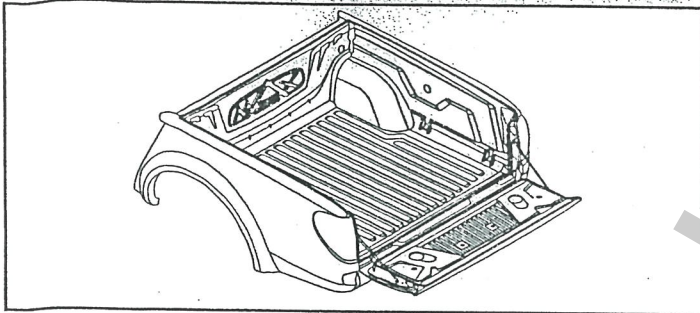


BEDLINER INSTALLATION INSTRUCTIONS



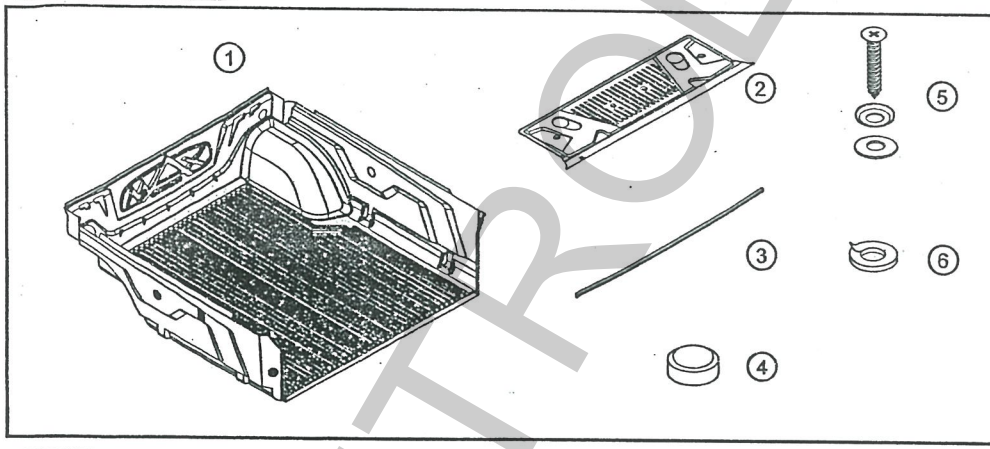
Caution for installation

Read this mounting manual carefully, before you start the installation.

1. Area where to install product should be clean.
2. During installation, person who installed should take off any ornaments.

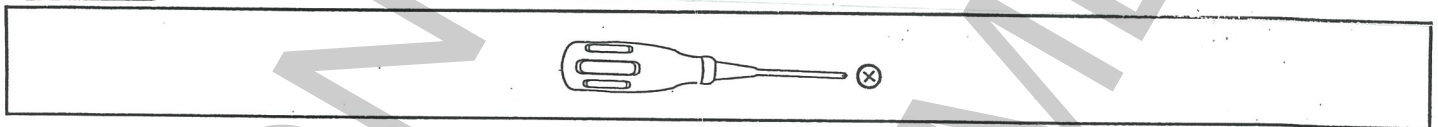
Product name : EXP MAX LINER U/R
 Model name : MITSUBISHI TRITON DBC 2009
 Instructions : F21-02MID12
 Inst. number : L03-0800

Component parts



No.	Part Name	Q'ty
1.	Body liner	1 Pc.
2.	Tailgate	1 Pc.
3.	U-Clip lock	1 Pc.
4.	Plastic cap	4 Pcs.
5.	Screw, Cup washer, Washer	4 Sets
6.	Plastic washer	4 Pcs.

Tools used



Instruction procedure

