



A




ED0751

B




ED0554

C

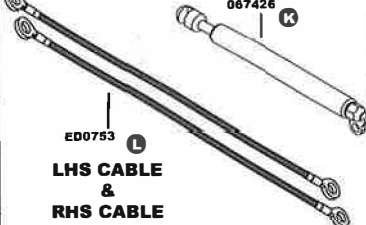


ED0054

N




K




067426

D




ED0005

E




ED0758

F




ED0059

G




ED0757

I




ED0754

M




ED0804

L



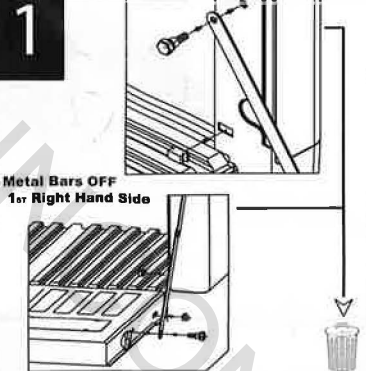
ED0753

LHS CABLE & RHS CABLE



EZDown Instruction **NISSAN NP 300 2016 - ED0750** www.ezdown.co.za GENERATION 2

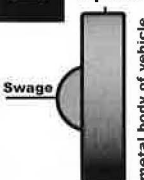
1



**Metal Bars OFF
1st Right Hand Side**

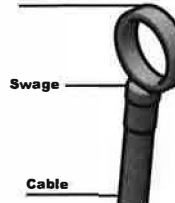
2

End fitting of cable
top view



Swage

End fitting of cable
side view



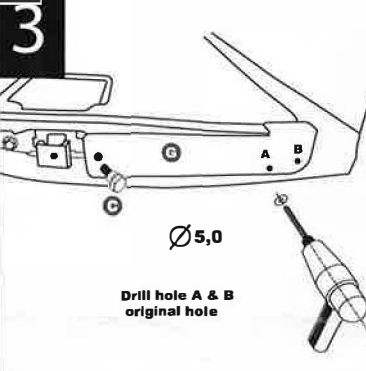
Swage

Cable

metal body of vehicle

NB!! When fitting the cable make sure the swage on cable's end fitting is facing away from the metal body of vehicle so it doesn't interfere with metal body of vehicle and scratch paintwork

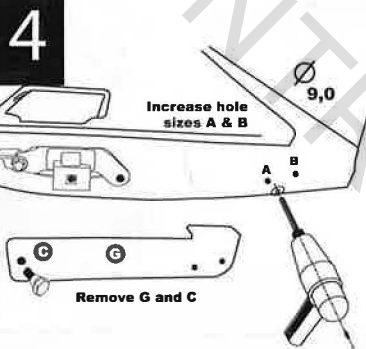
3



Drill hole A & B
original hole

Ø 5,0

4

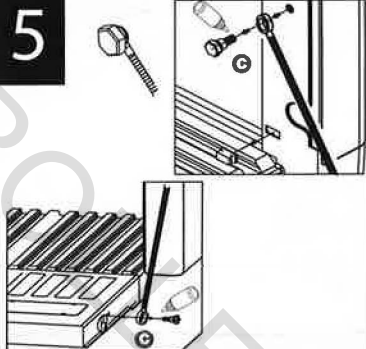


Increase hole
sizes A & B

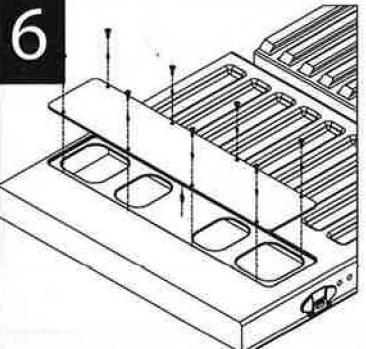
Ø 9,0

Remove G and C

5

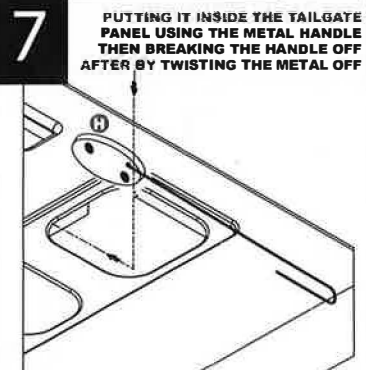


6

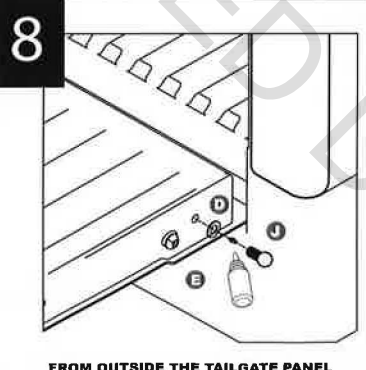


7

PUTTING IT INSIDE THE TAILGATE PANEL USING THE METAL HANDLE THEN BREAKING THE HANDLE OFF AFTER BY TWISTING THE METAL OFF



8



FROM OUTSIDE THE TAILGATE PANEL

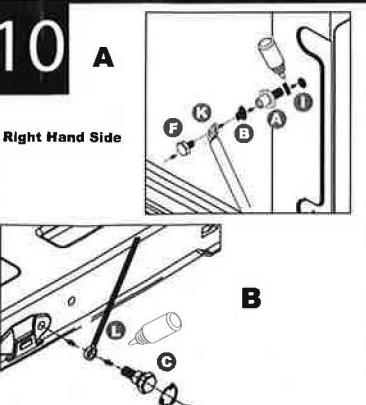
9



FROM OUTSIDE THE TAILGATE PANEL

10

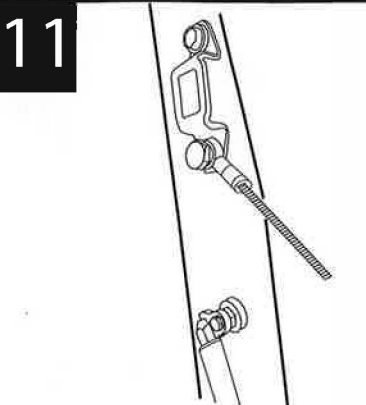
A



Right Hand Side

B

11



Fit RHS first from step 1 -10 with RHS Cable and then repeat on LHS with LHS cable.

Steps 1 + 5 + 10.
(B image)

FITTING KIT CODE	MANUFACTURER	MODEL TYPE	YEAR	STOCKIST	PRODUCT	REVISION	LABOUR TIME	DATE	PAGE
ED0750	NISSAN	NP 300	2016 onwards	GENERAL USE	EZDOWN	1	20min	25/10/2016	1
TORQUE-N.m		★ 17.5N.m±2.7N.m		★ 17.5N.m±2.7N.m			★ 1.5N.m±0.3N.m		