



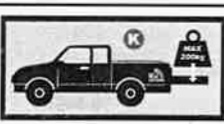
ED0502



ED0056



ED0054



K



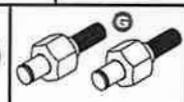
ED0006



ED0308



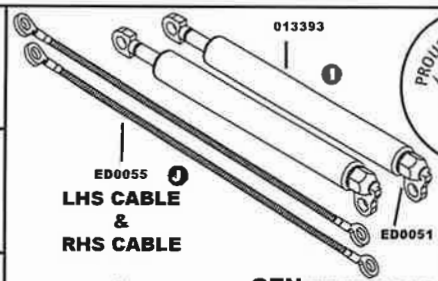
ED0005



ED0053



ED0059



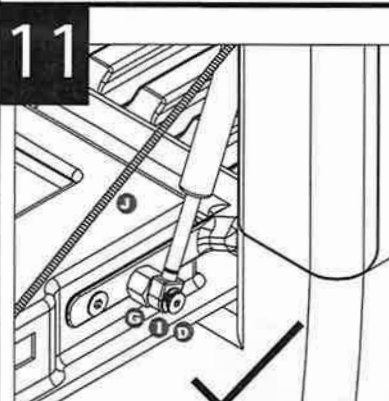
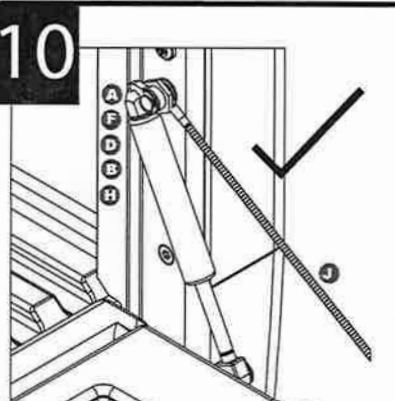
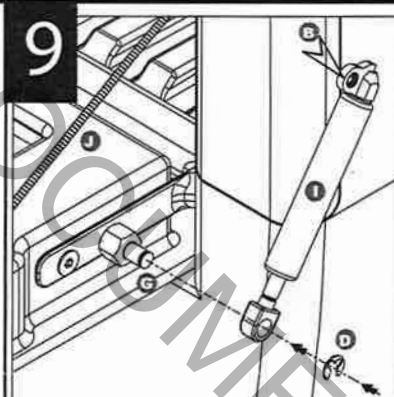
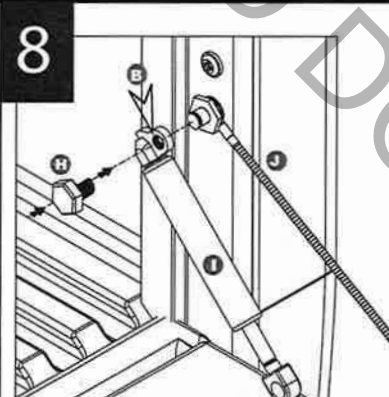
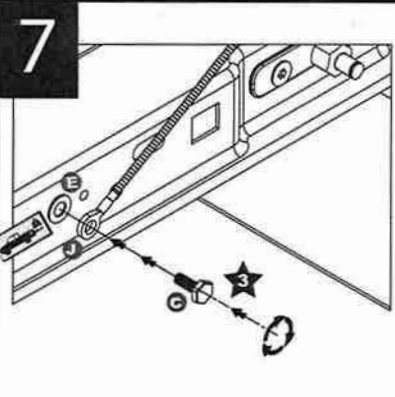
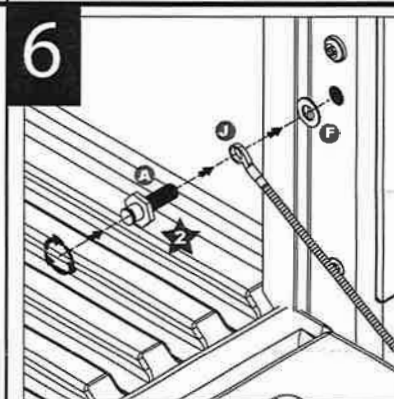
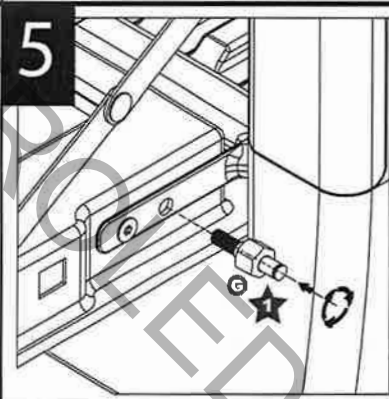
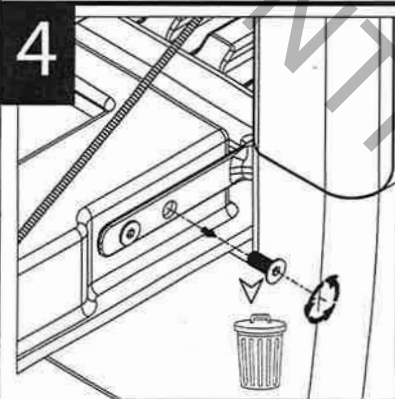
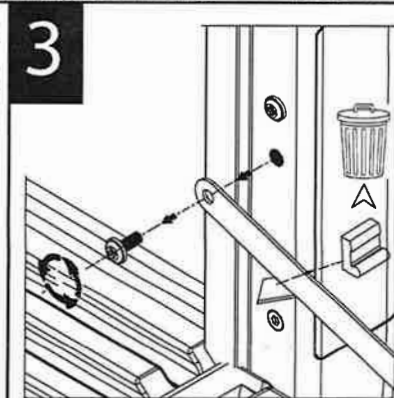
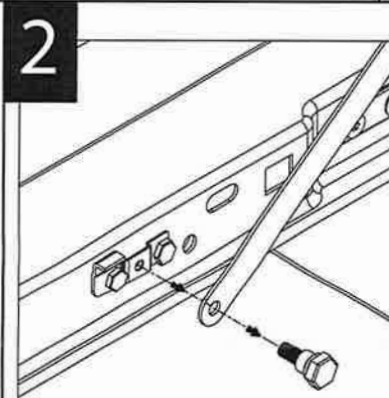
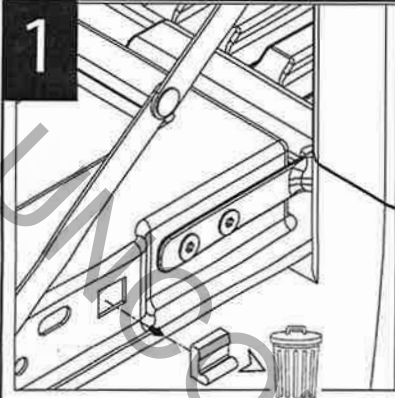
ED0055
LHS CABLE
&
RHS CABLE



EZDown Instruction

HILUX/REVO 2016- ED0050

www.ezdown.co.za **GENERATION 1**



**FIT KIT ON RHS
FIRST FROM STEP
STEPS 1-10
with RHS CABLE
AND THEN REPEAT
ON LHS with LHS CABLE
STEPS 1-10**

Design: Incaulis Sheehan, Photography & Design / Drafting Company: Precision Drafting Enterprises

FITTING KIT CODE	MANUFACTURER	MODEL TYPE	YEAR	STOCKIST	PRODUCT	REVISION	LABOUR TIME	DATE	PAGE
ED0050	TOYOTA	REVO	2016 onwards	GENERAL USE	EZDOWN	1	20min	01/07/2016	1
TORQUE-N.m	★ 17.5N.m±2.7N.m			★ 17.5N.m±2.7N.m			★ 1.5N.m±0.3N.m		