

Mountain Top® Slide

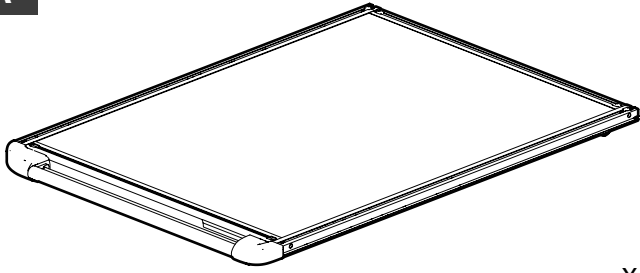
Installation manual





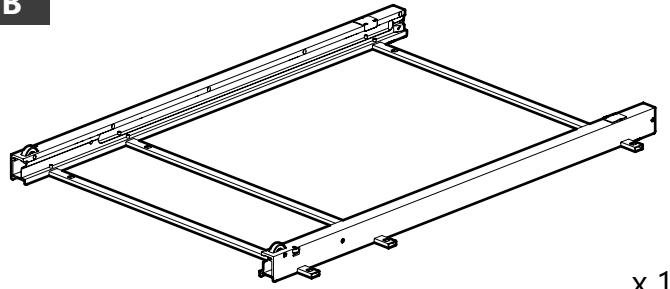
Parts

A



x 1

B

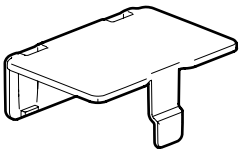


x 1



Kit # 836 012

C

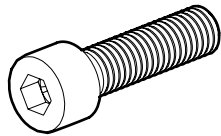


x 2



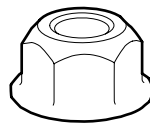
Kit # 833 940

D



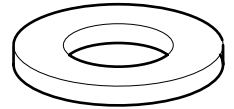
x 12

E



x 12

F

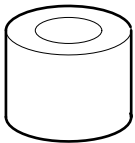


x 24



Kit # 836 202

G

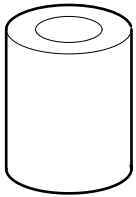


x 12



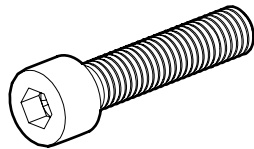
Kit # MTS 0201 - SOLD SEPARATELY

H



x 12

I

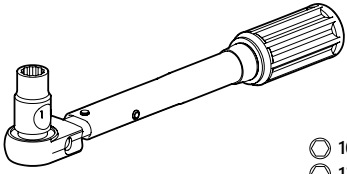


x 12

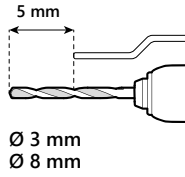


Tools and materials needed

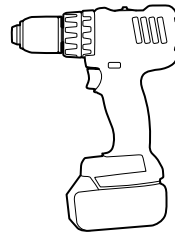
1-25 Nm



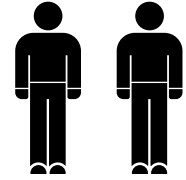
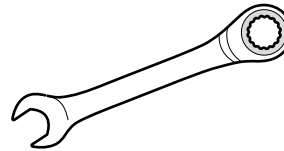
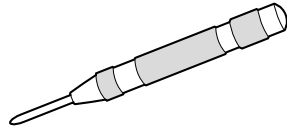
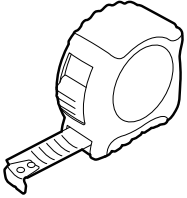
- 10 mm
- 13 mm
- 5 mm



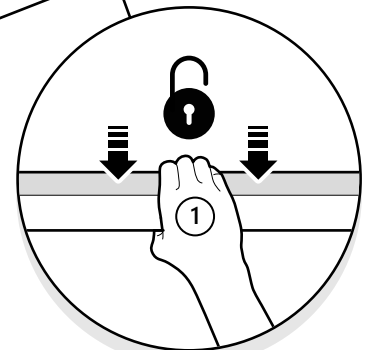
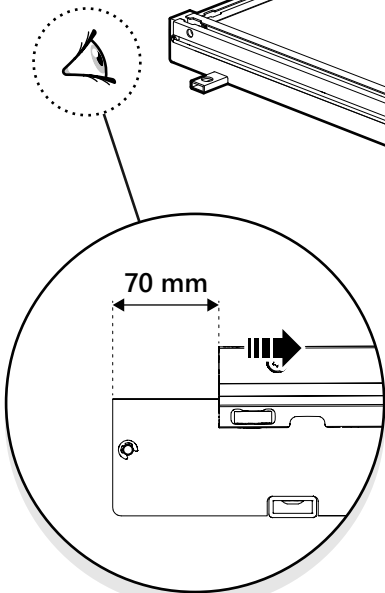
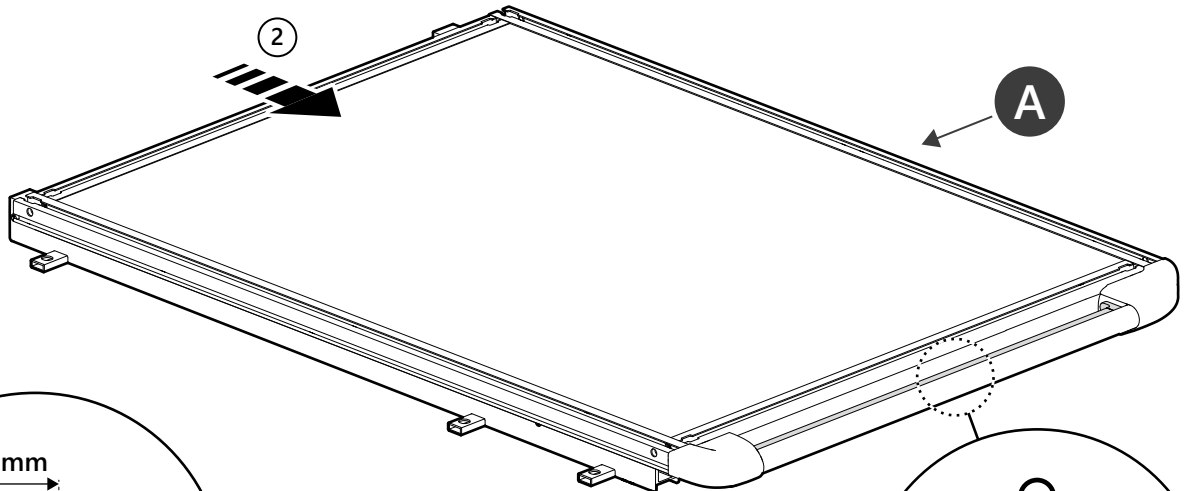
Ø 3 mm
Ø 8 mm

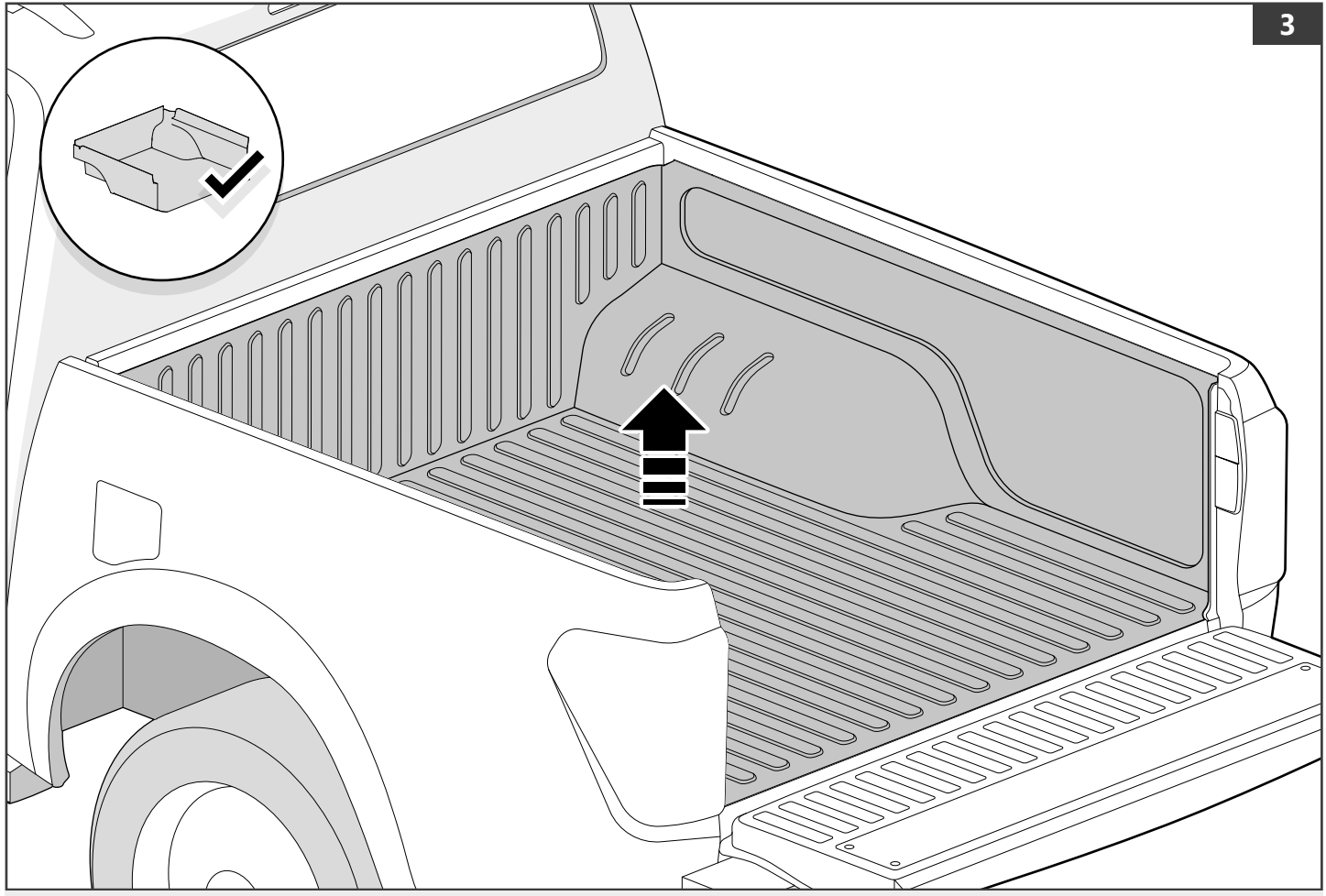
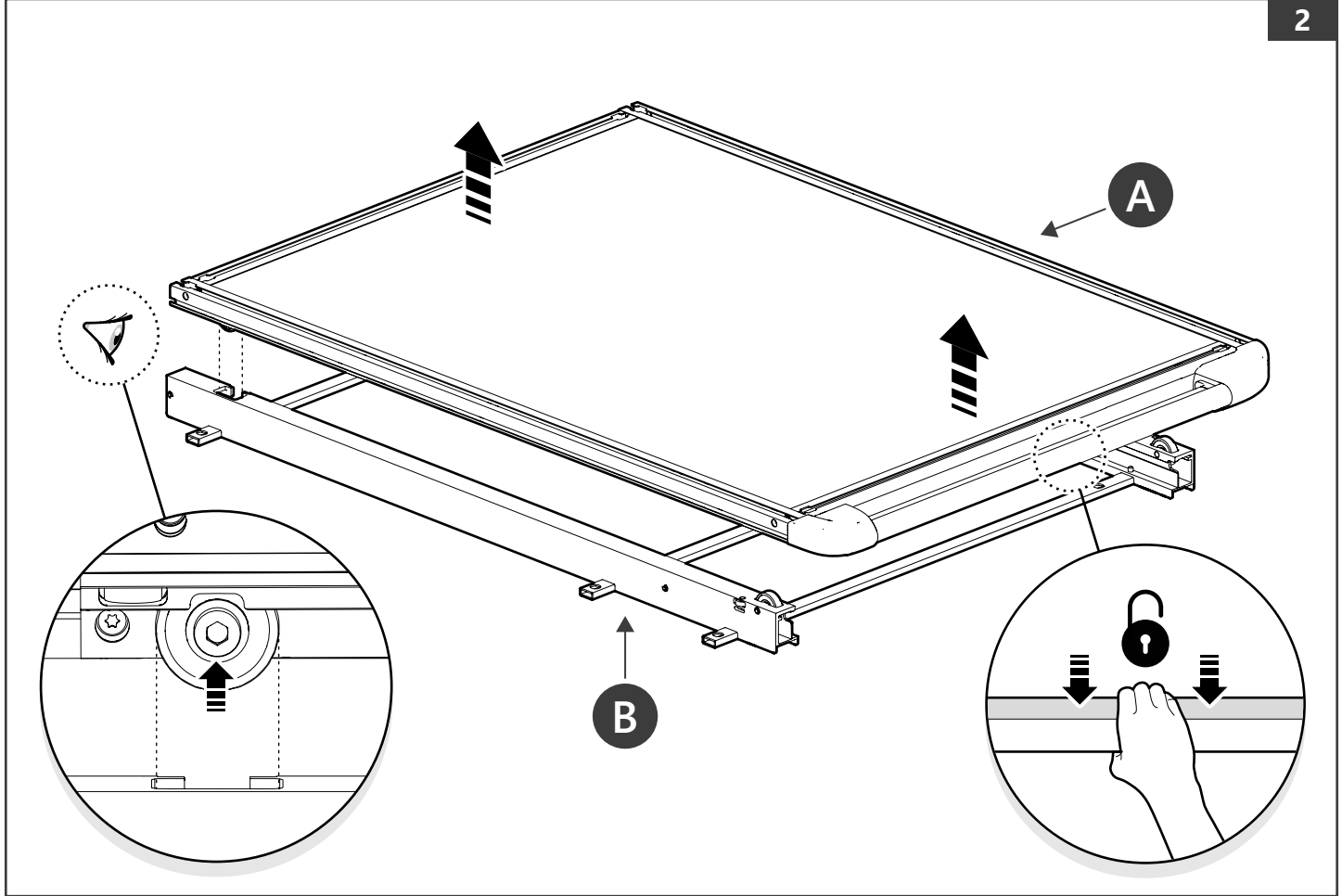


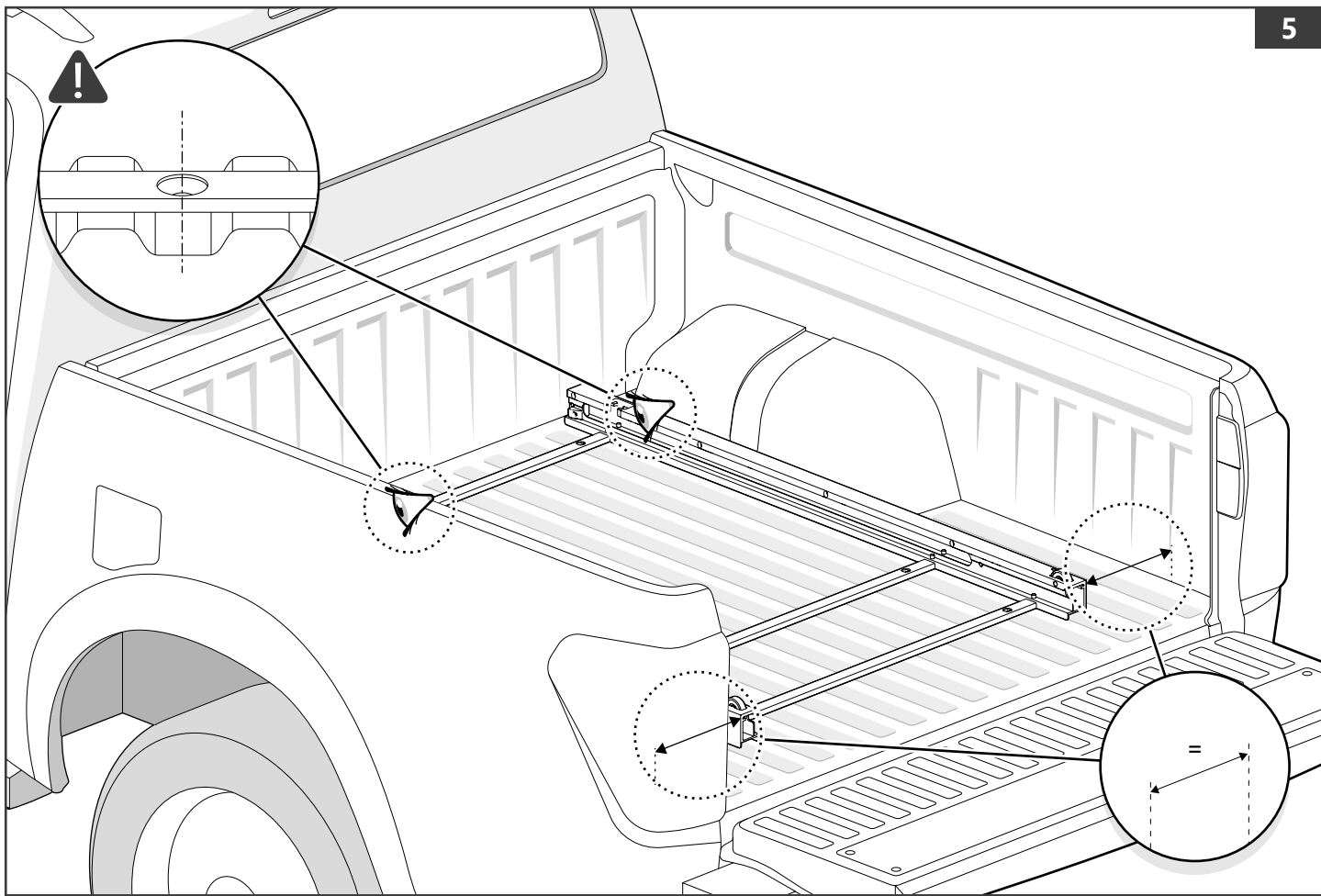
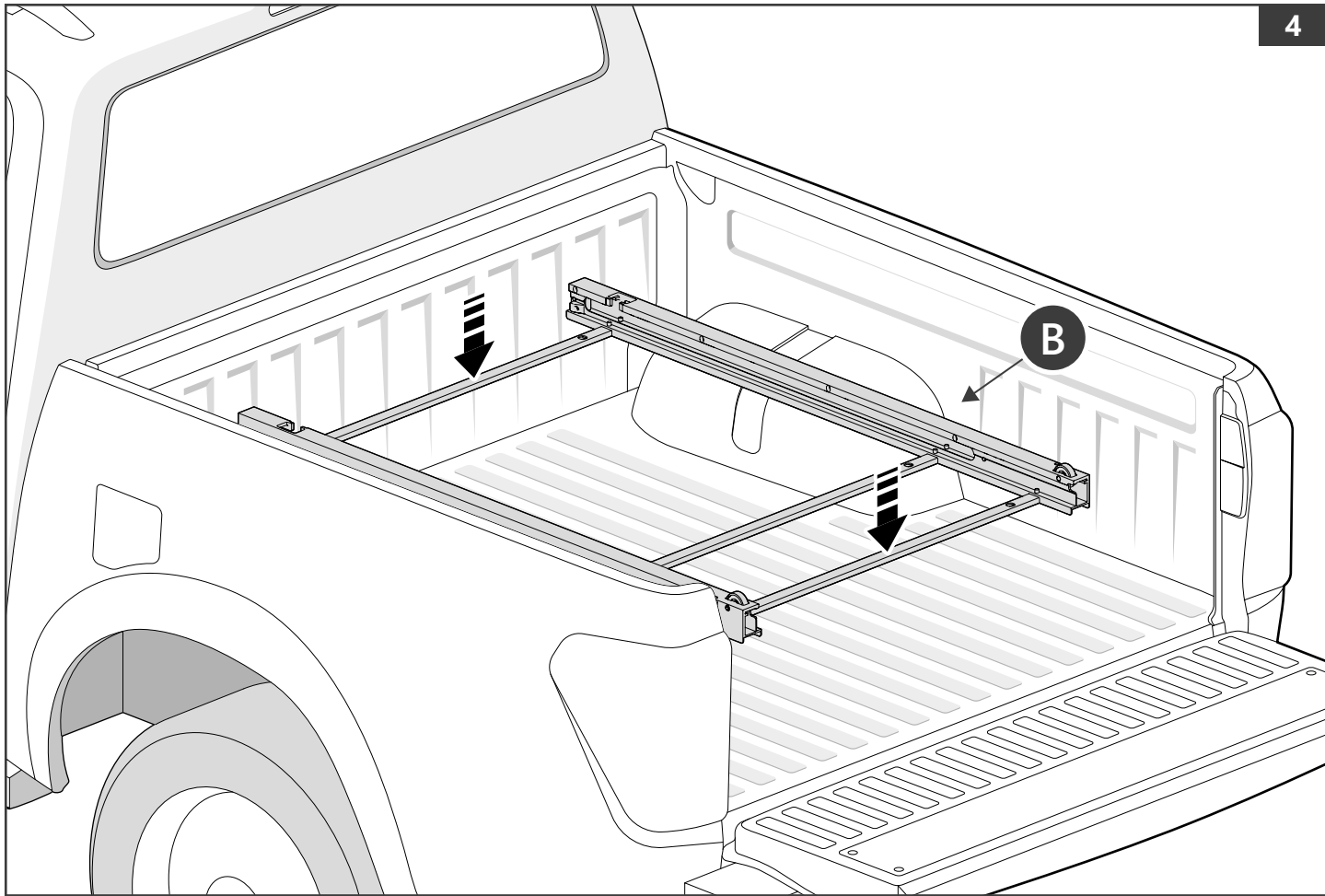
Rust protection
Rostschutzmittel
Anti-rouille
Anti roest

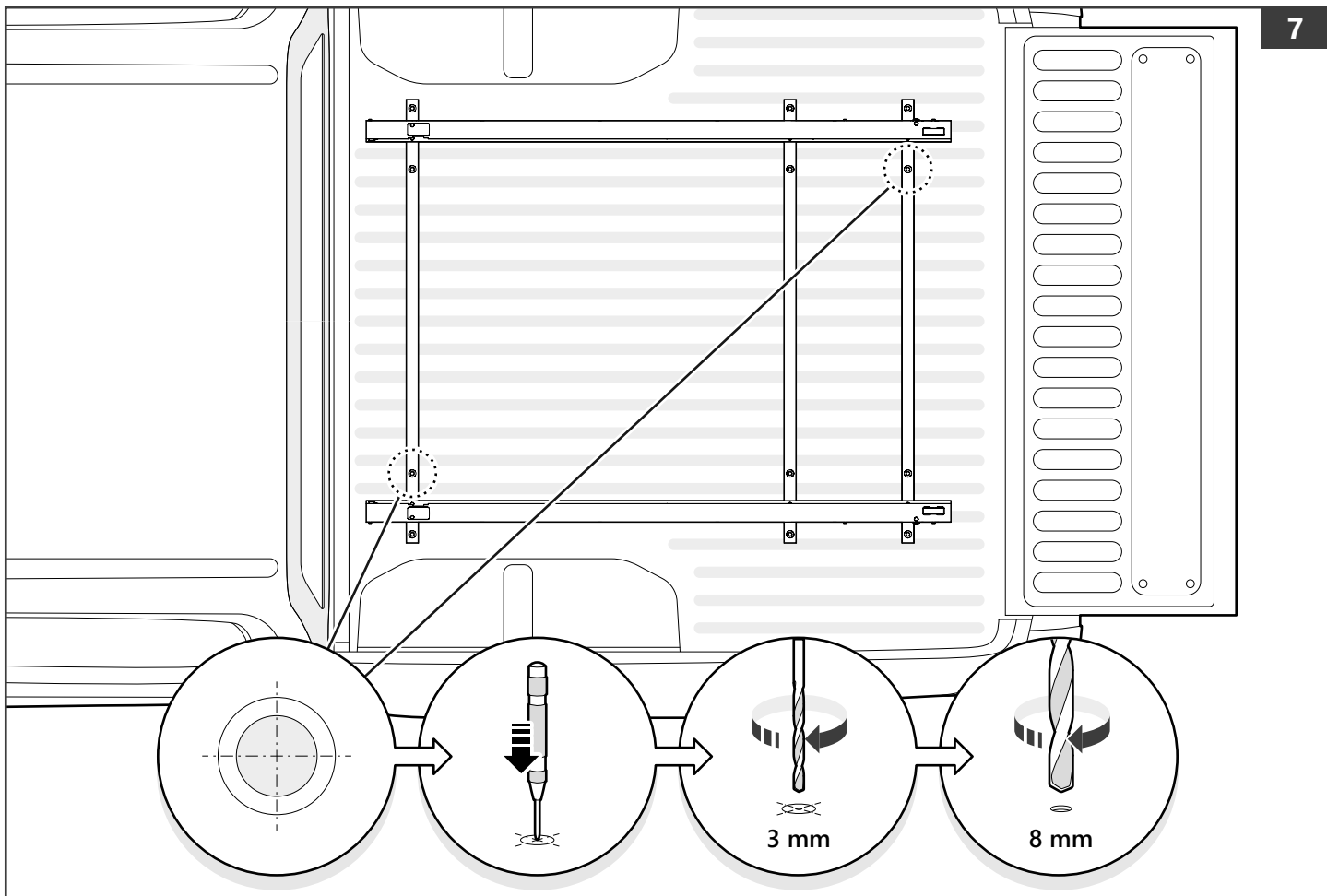
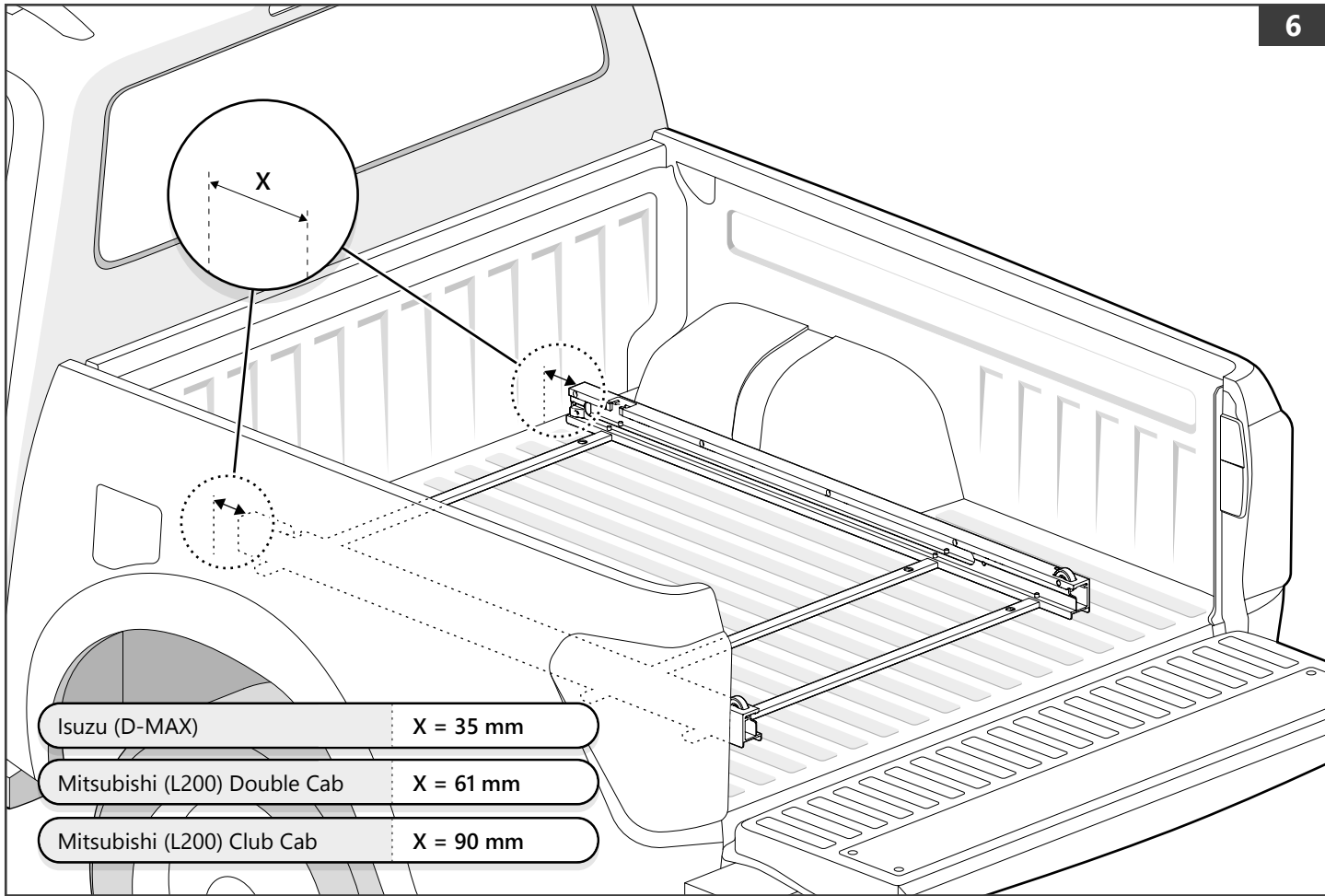


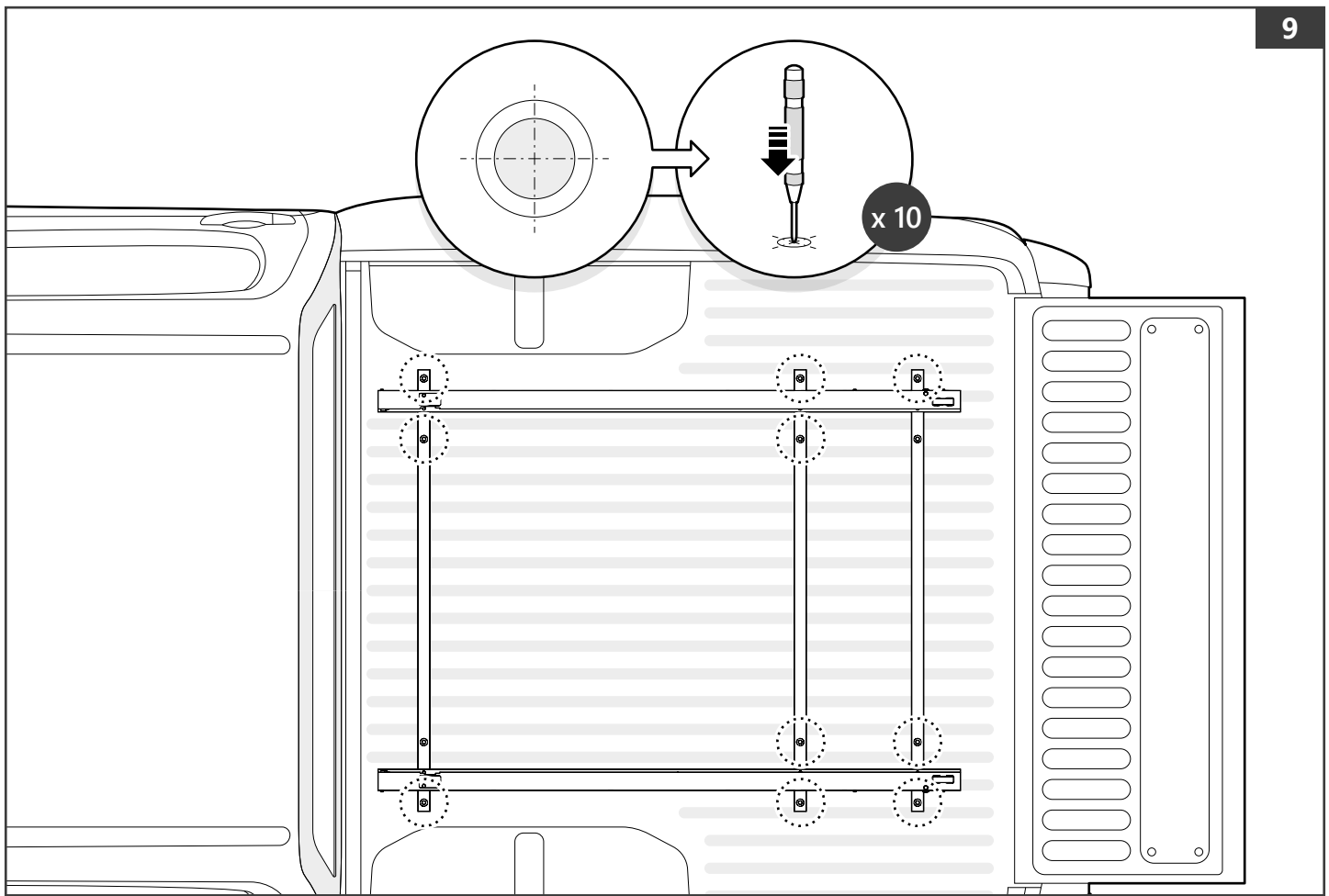
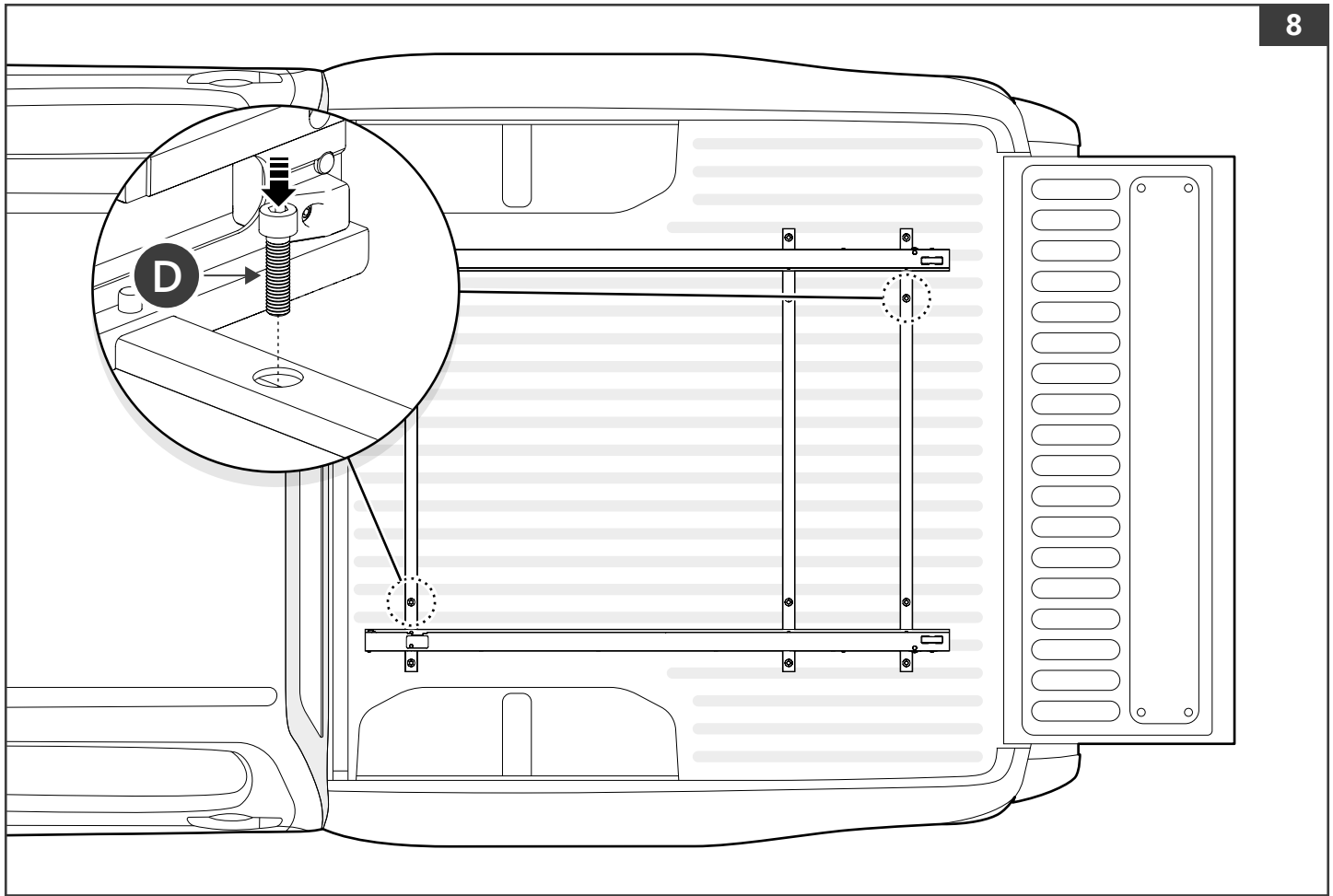
1

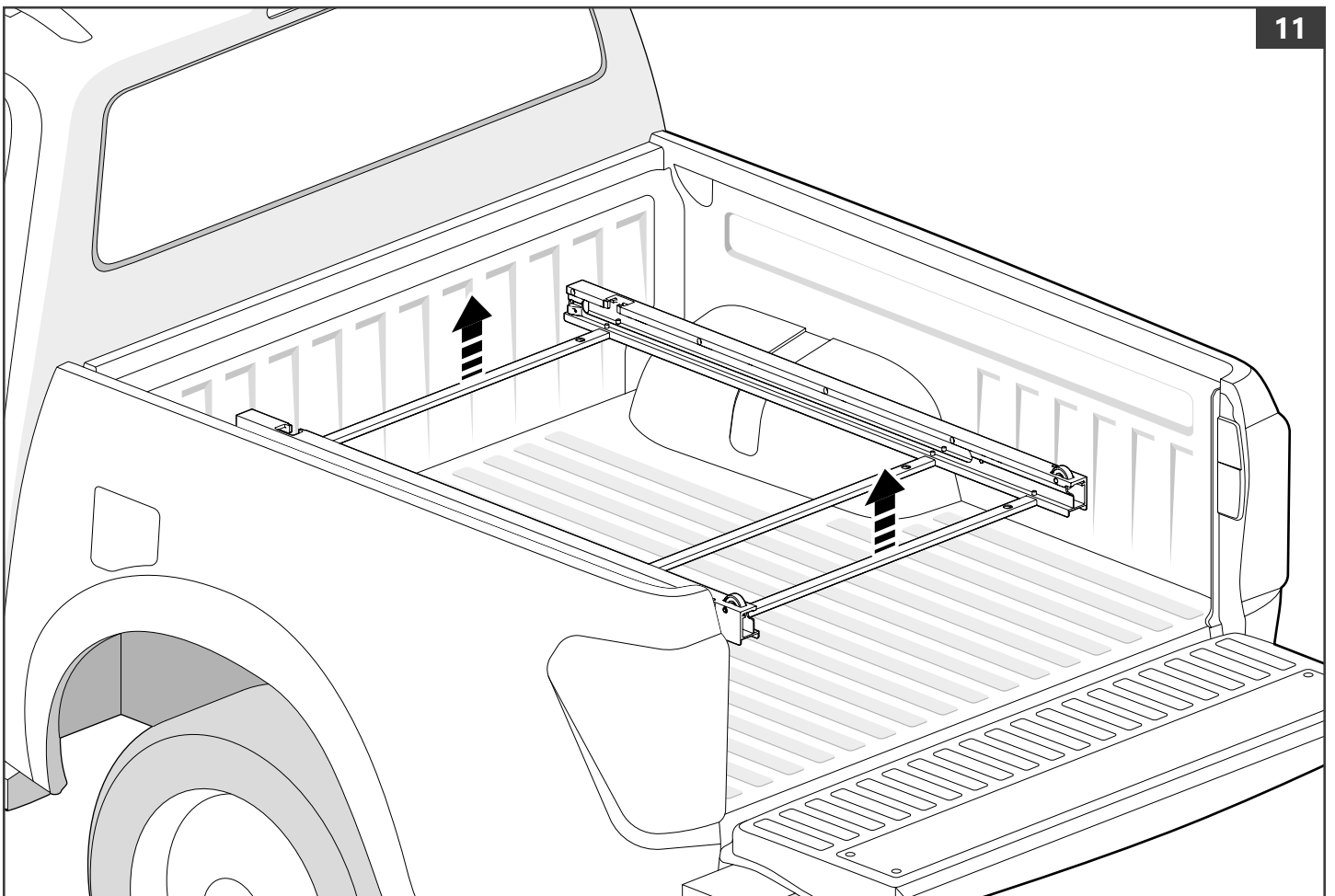
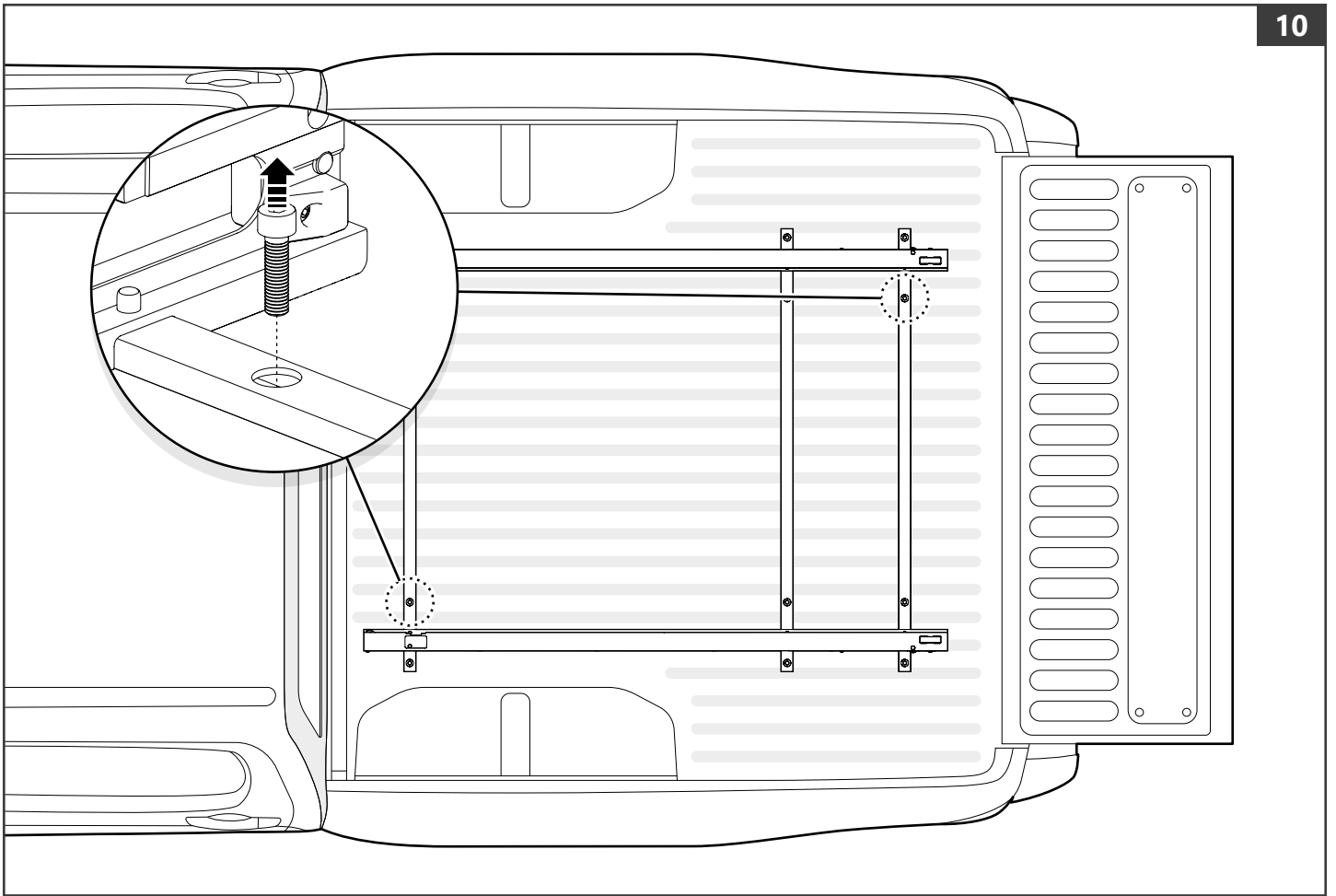


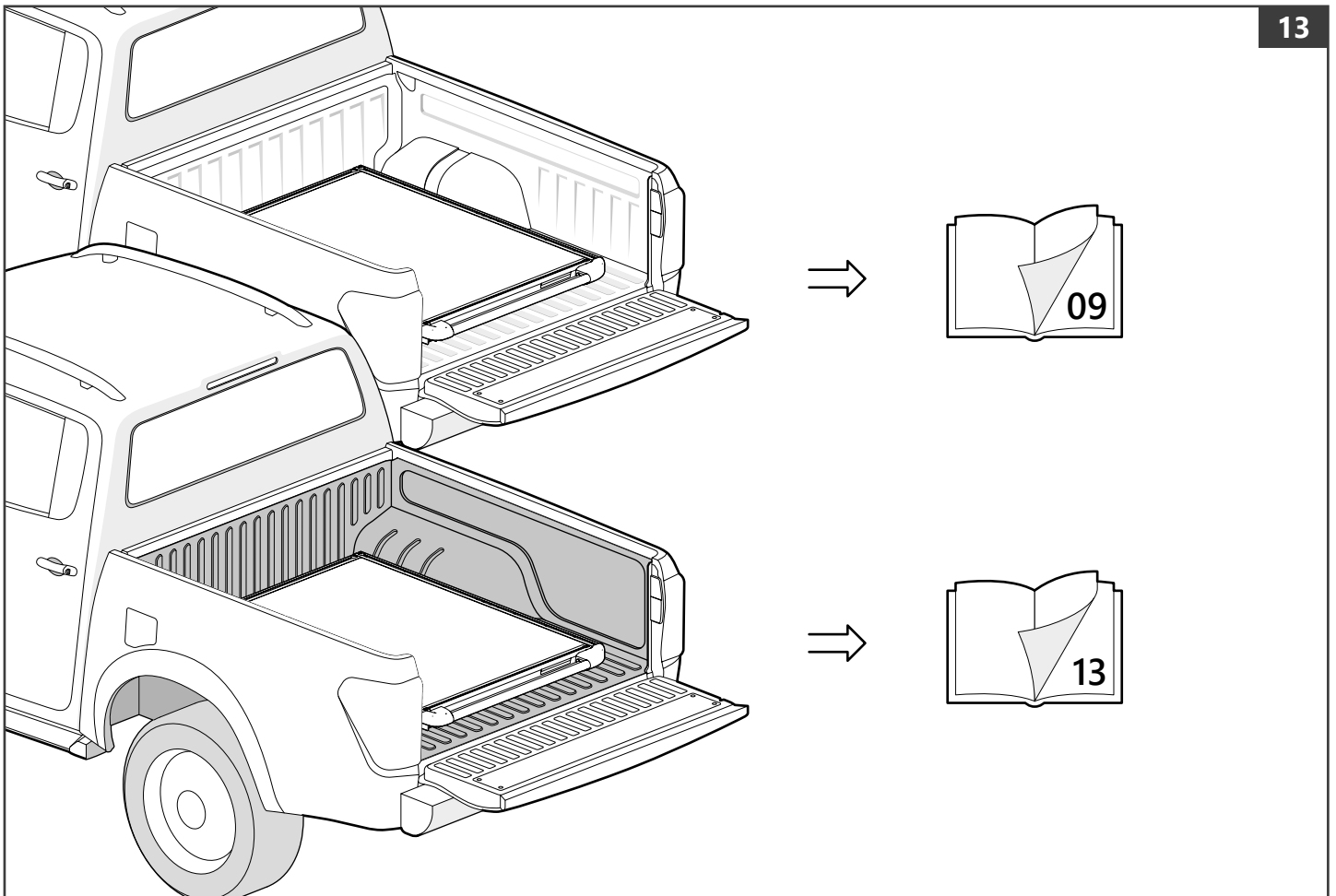
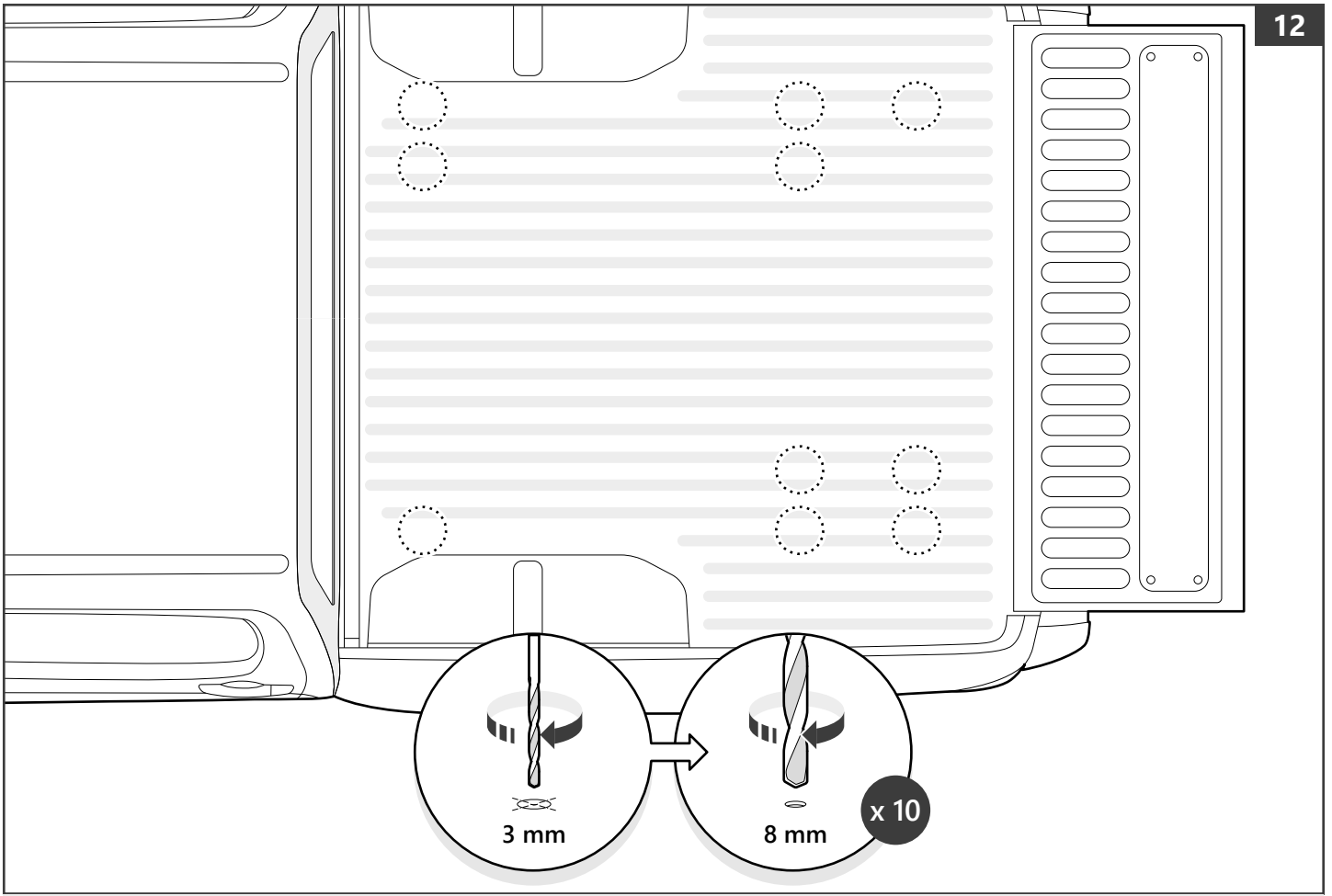


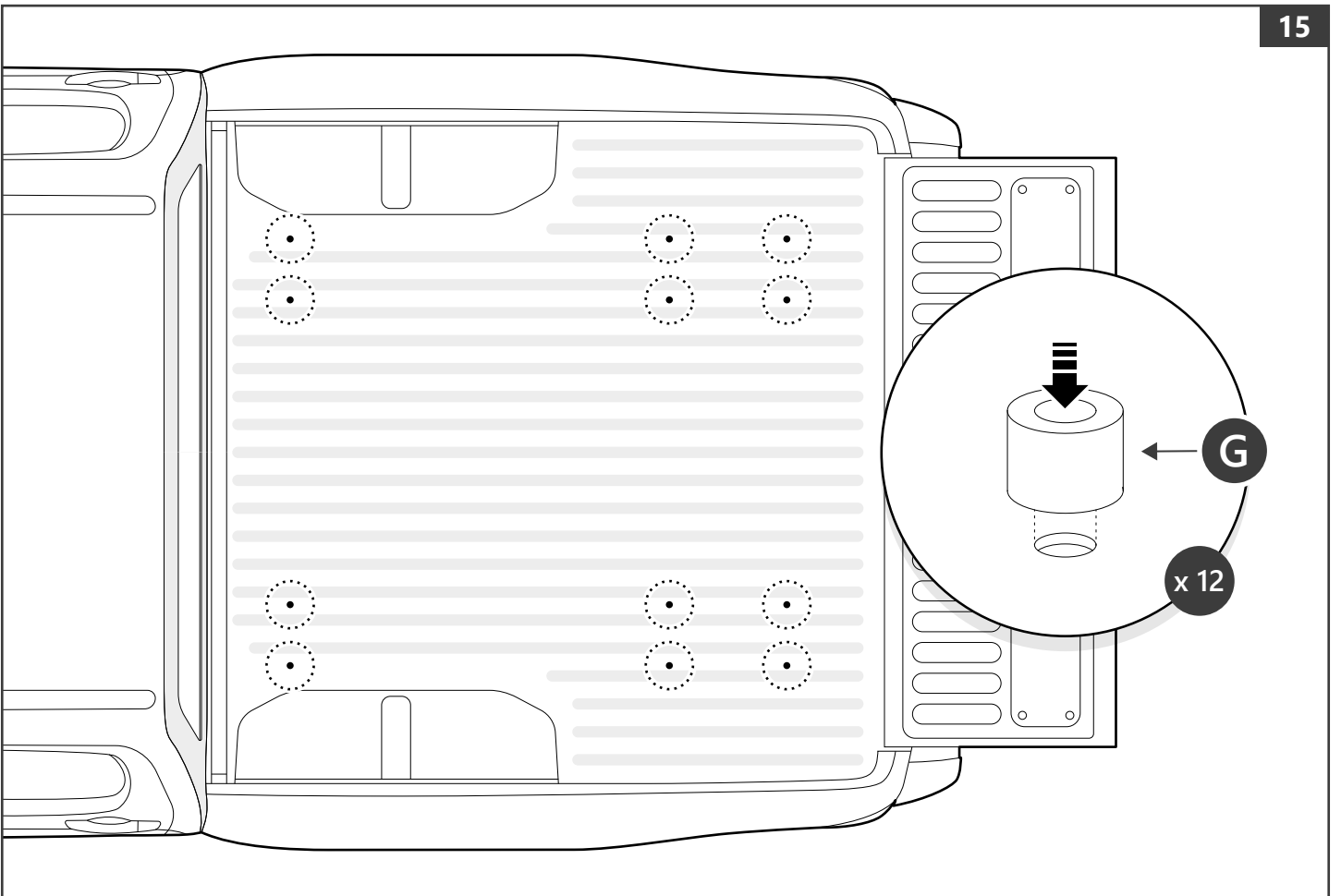
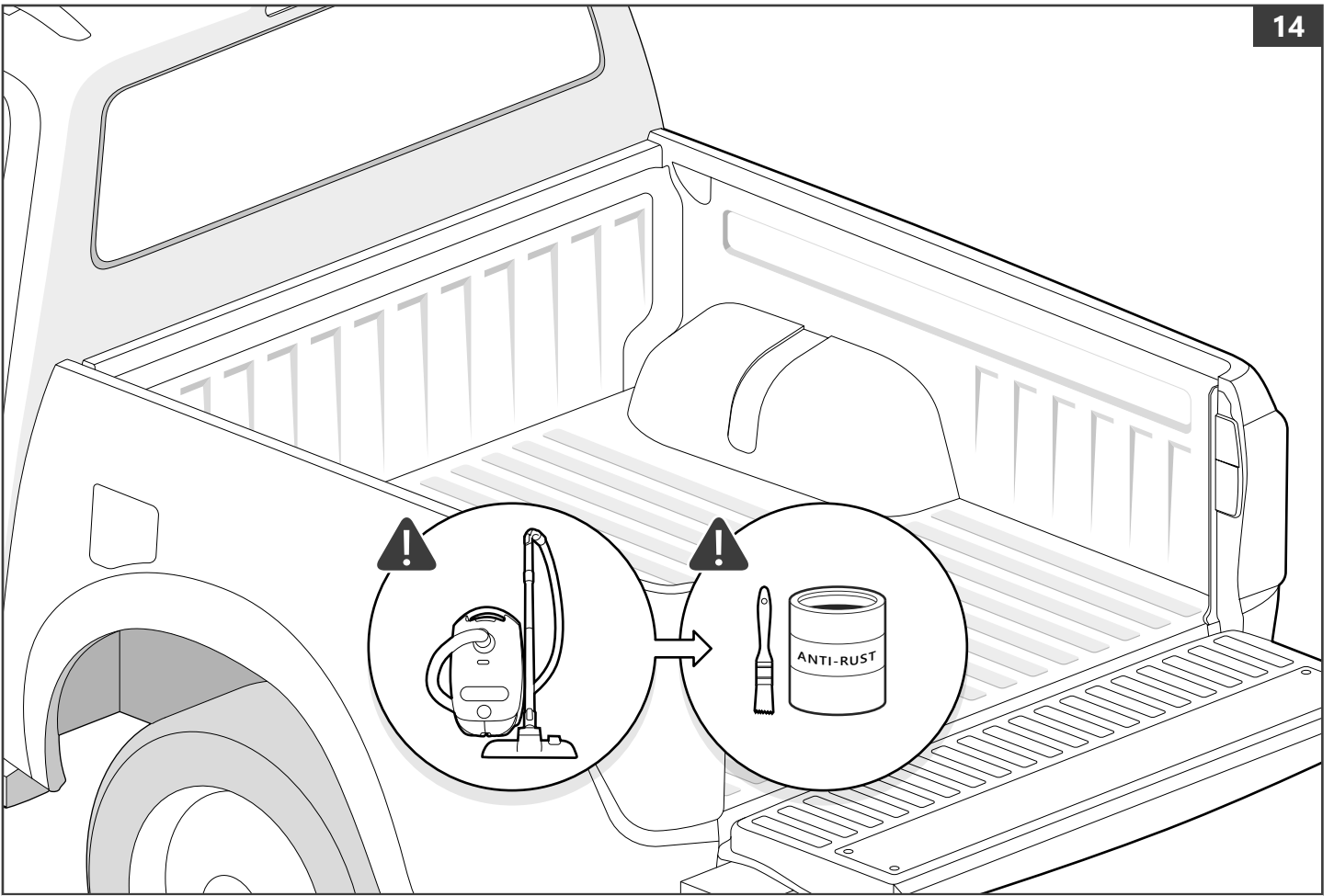


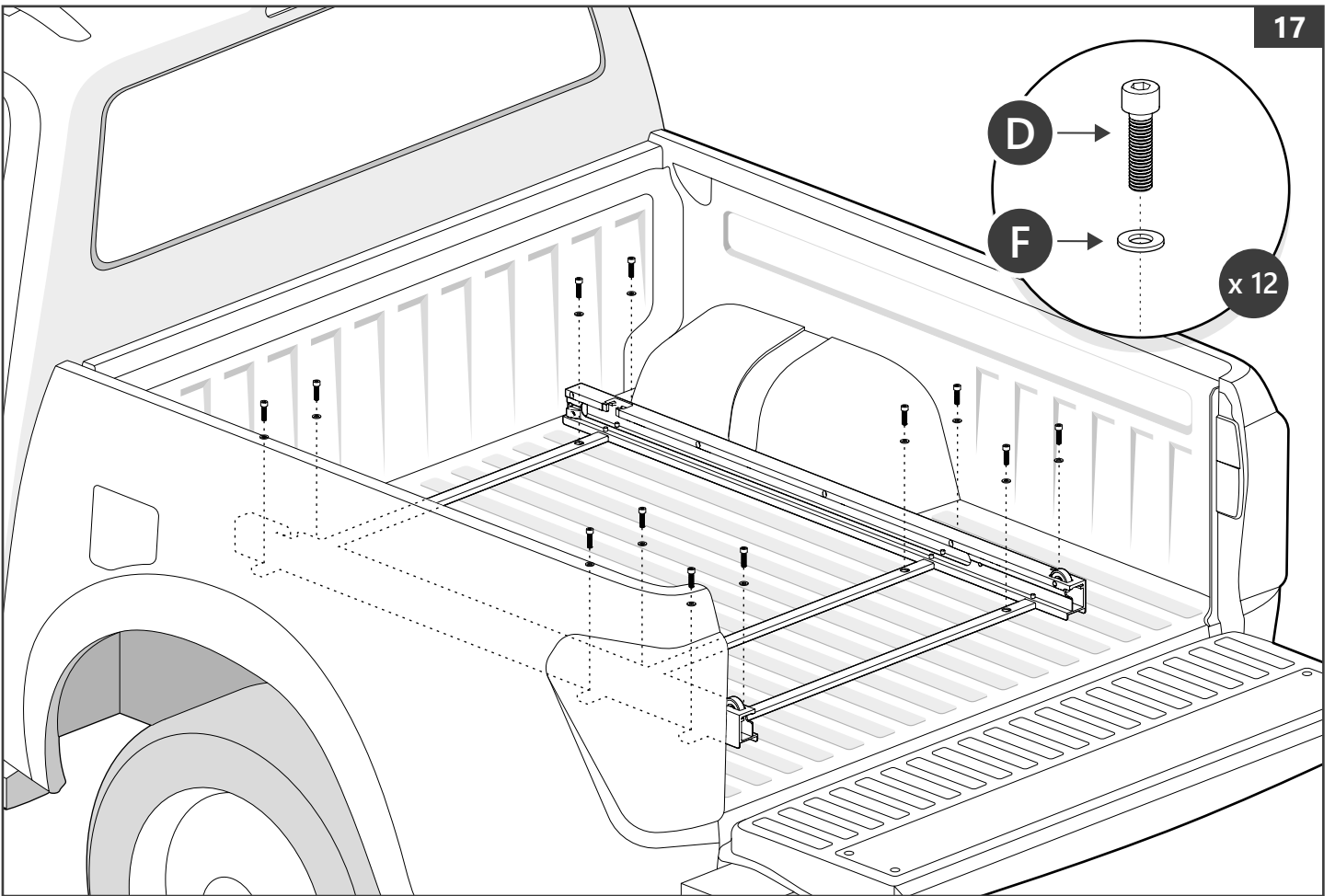
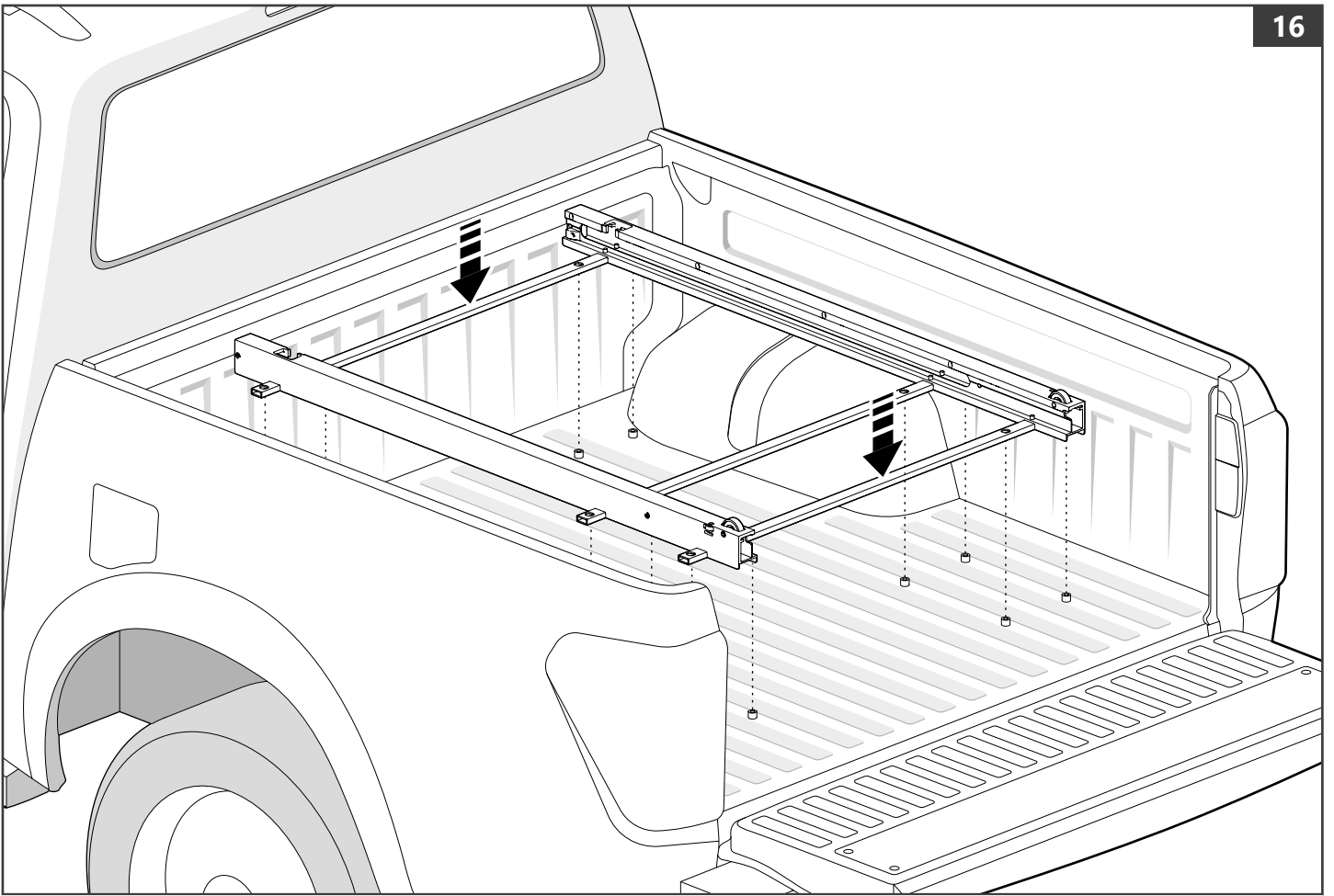


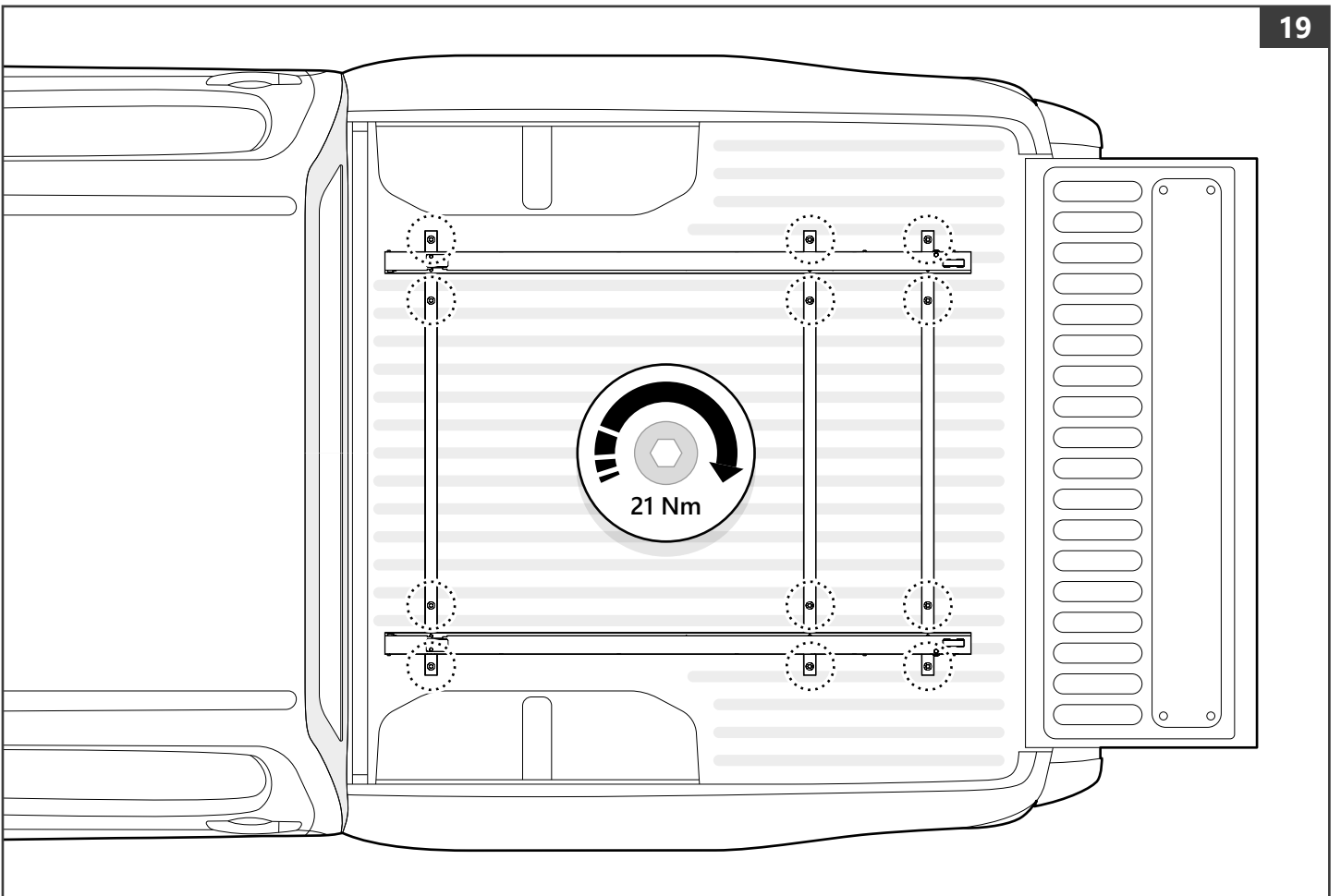
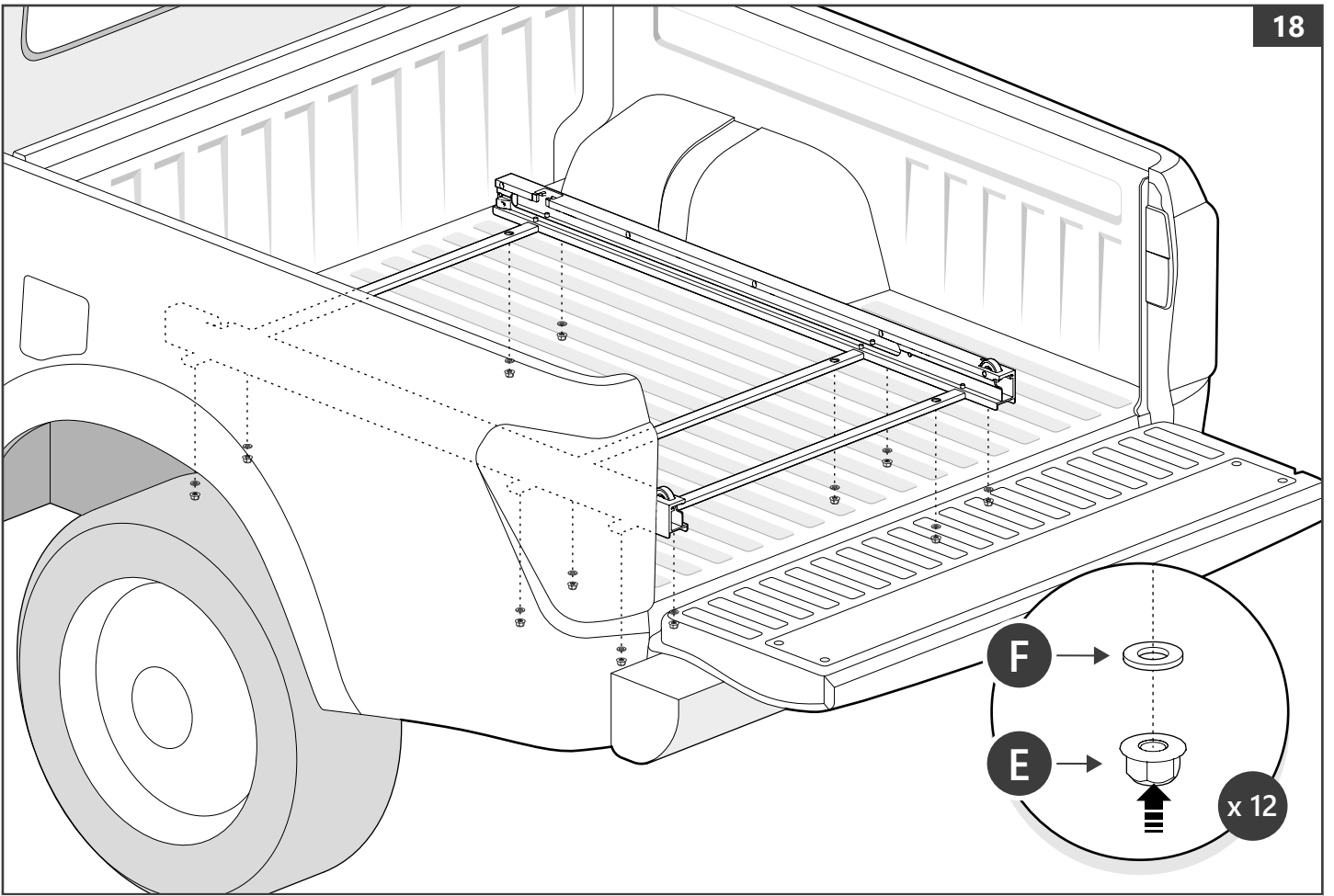


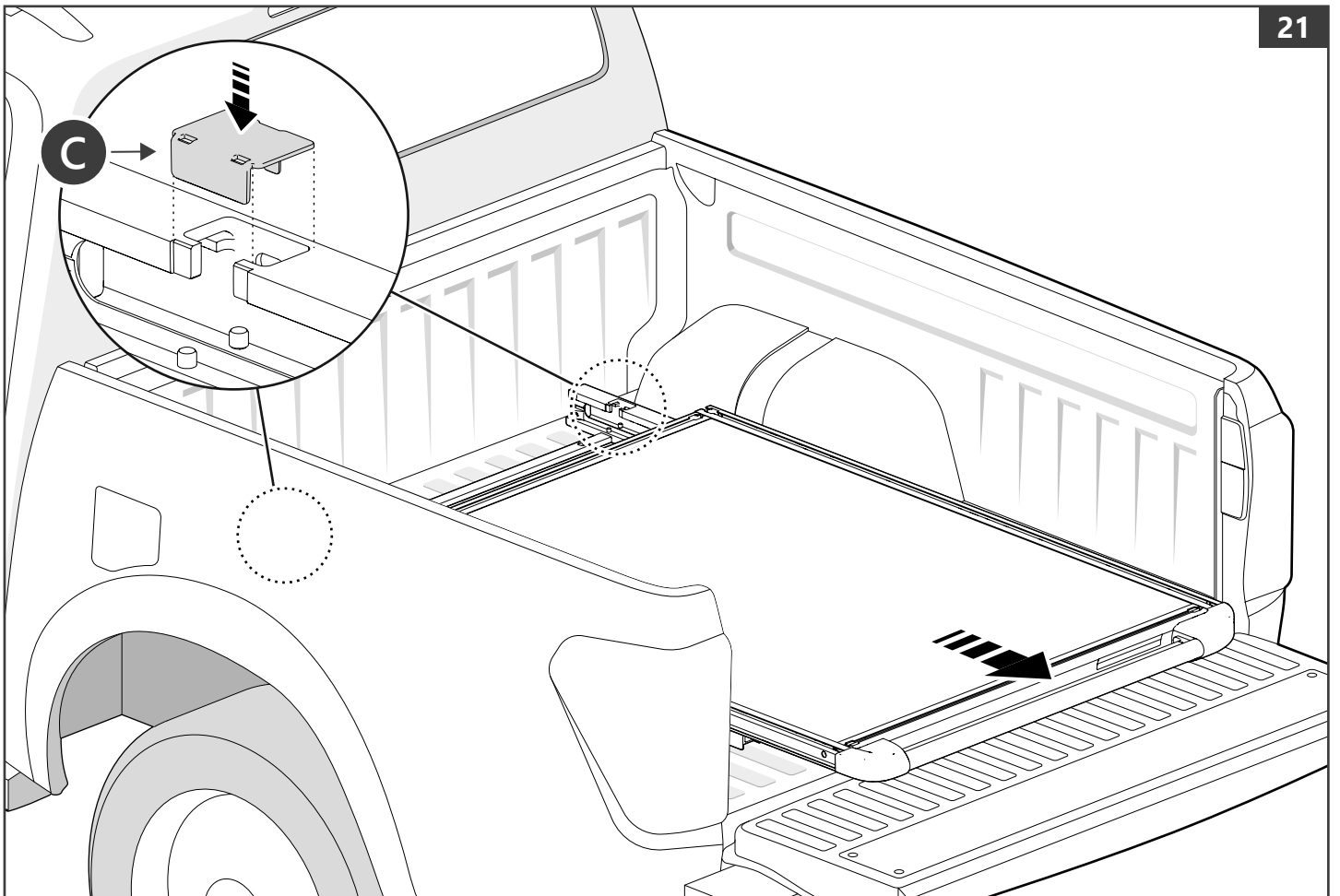
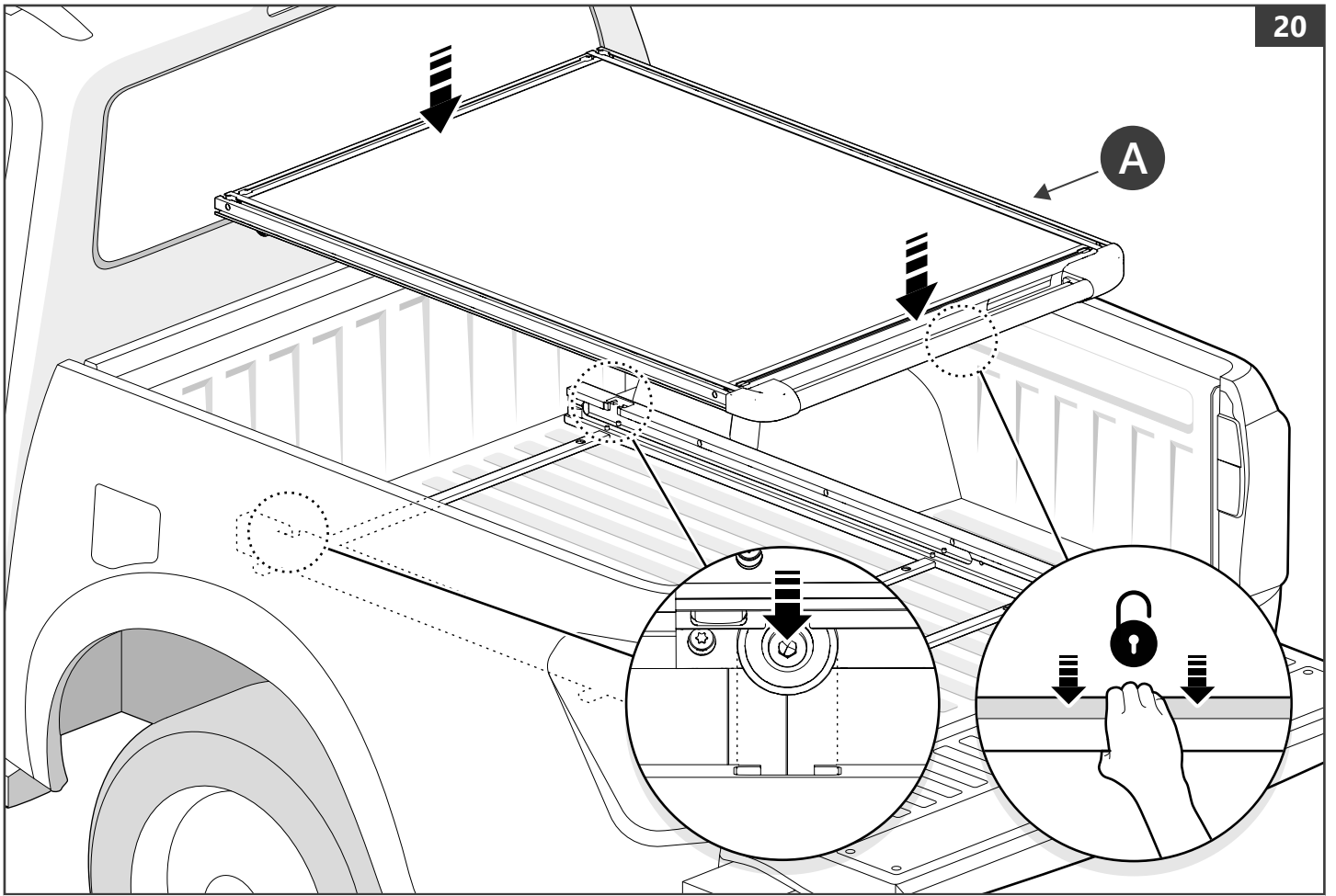


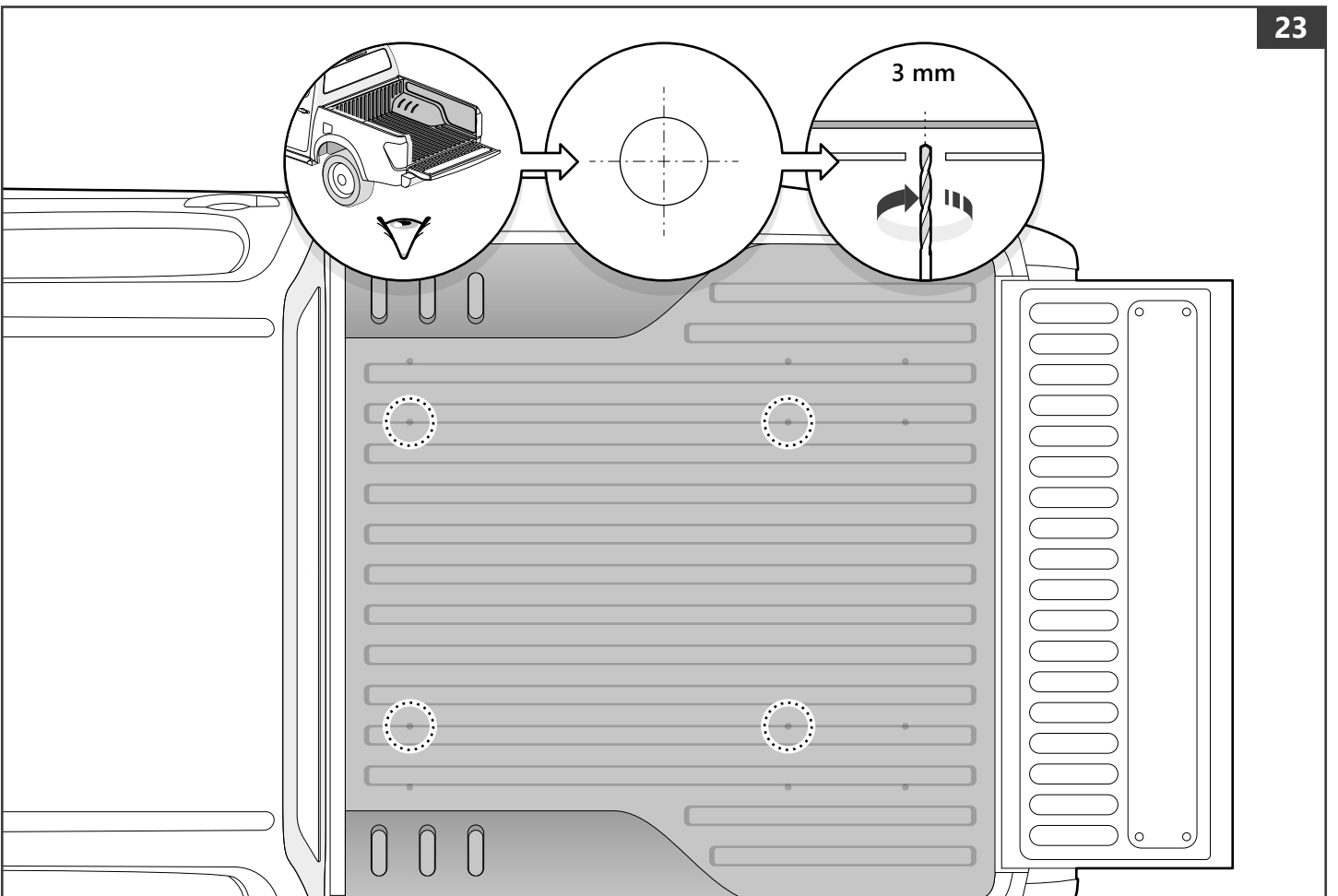
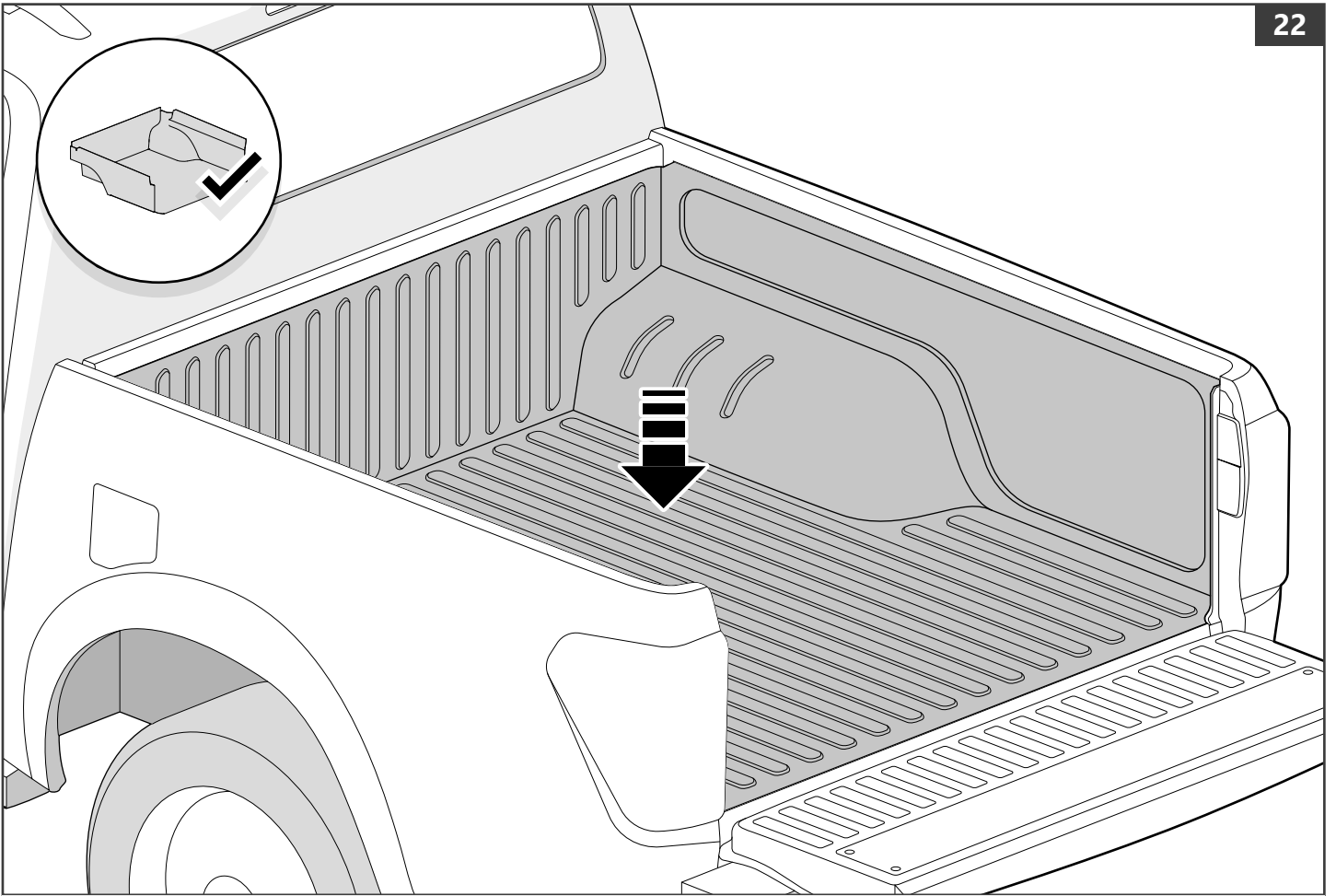


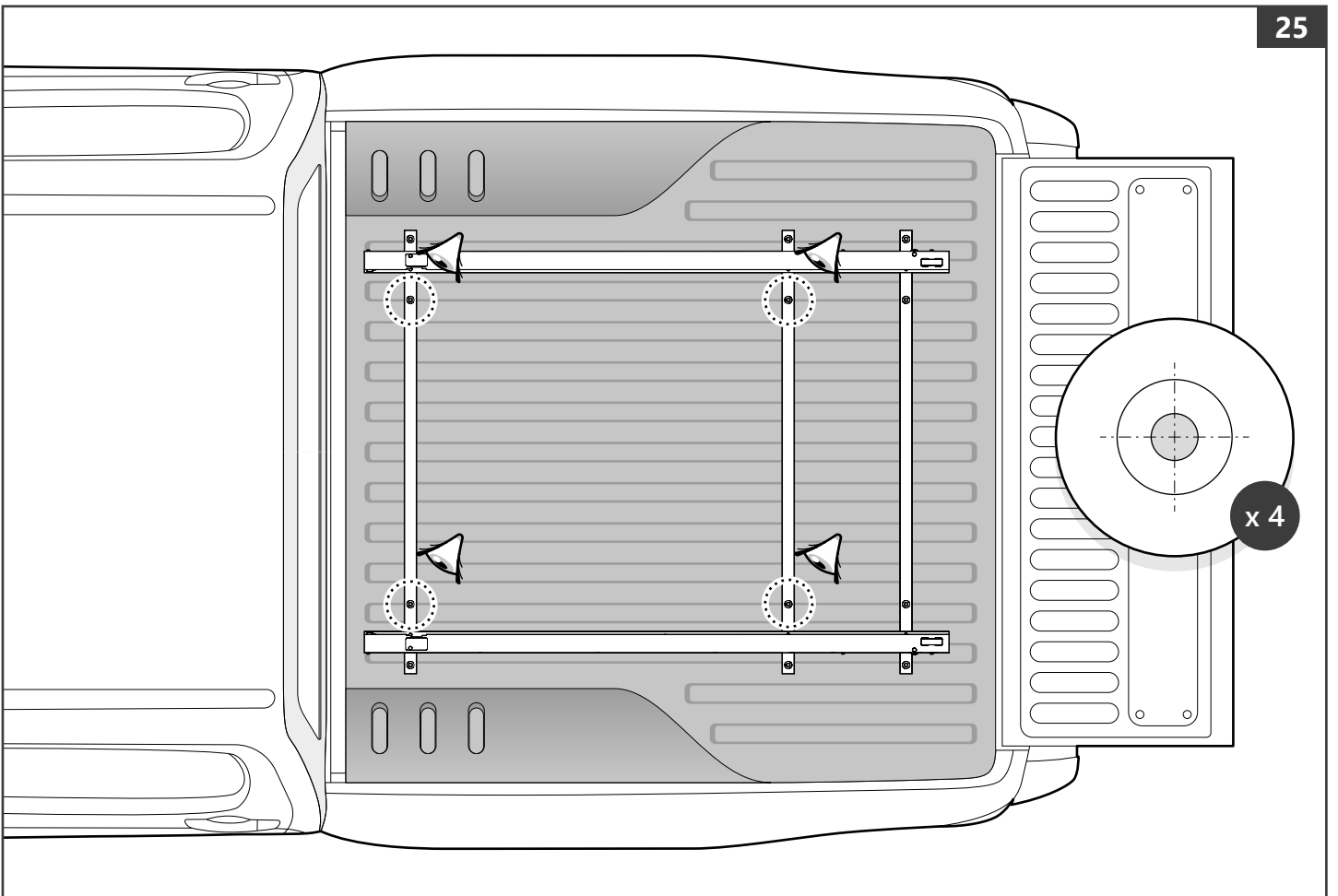
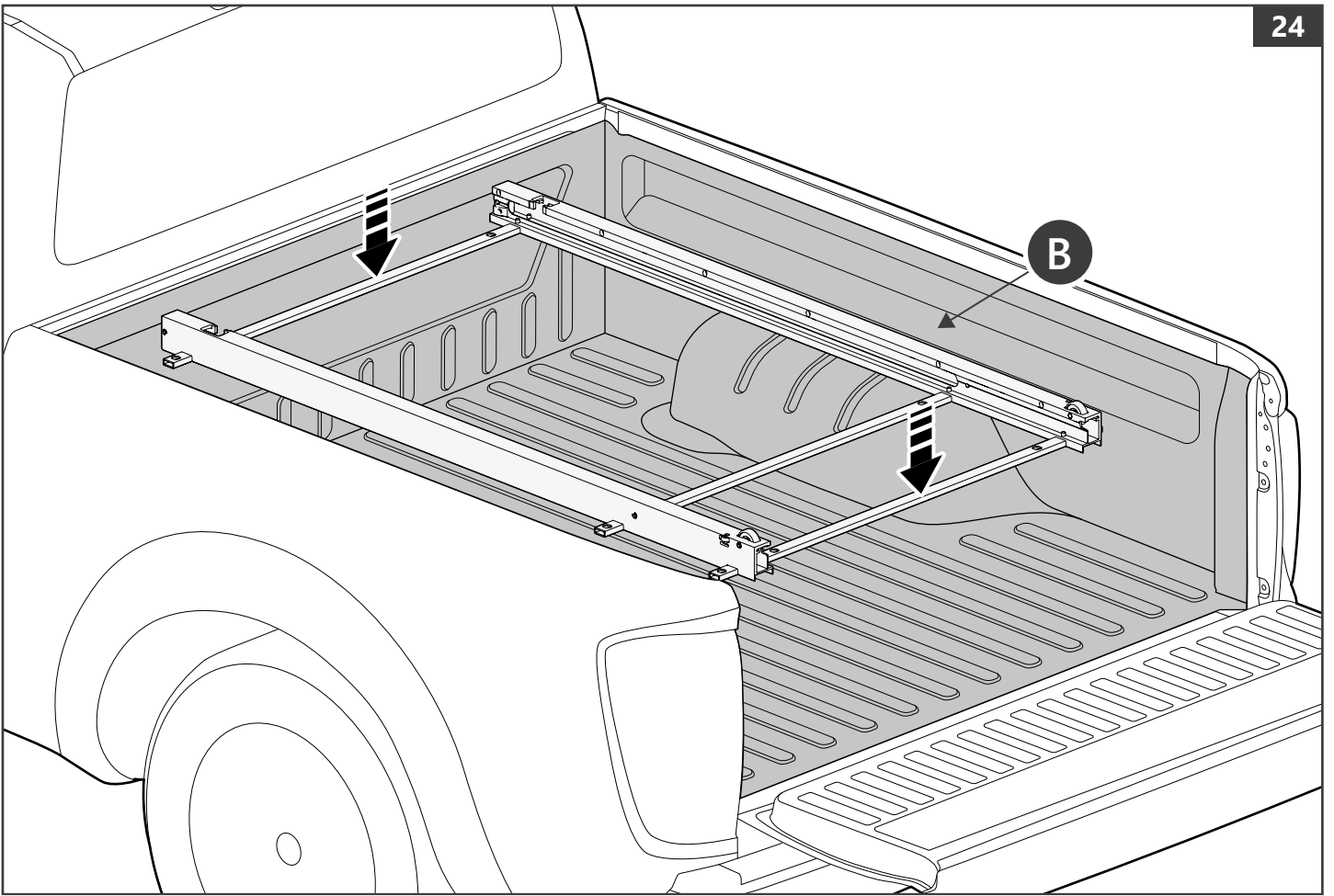


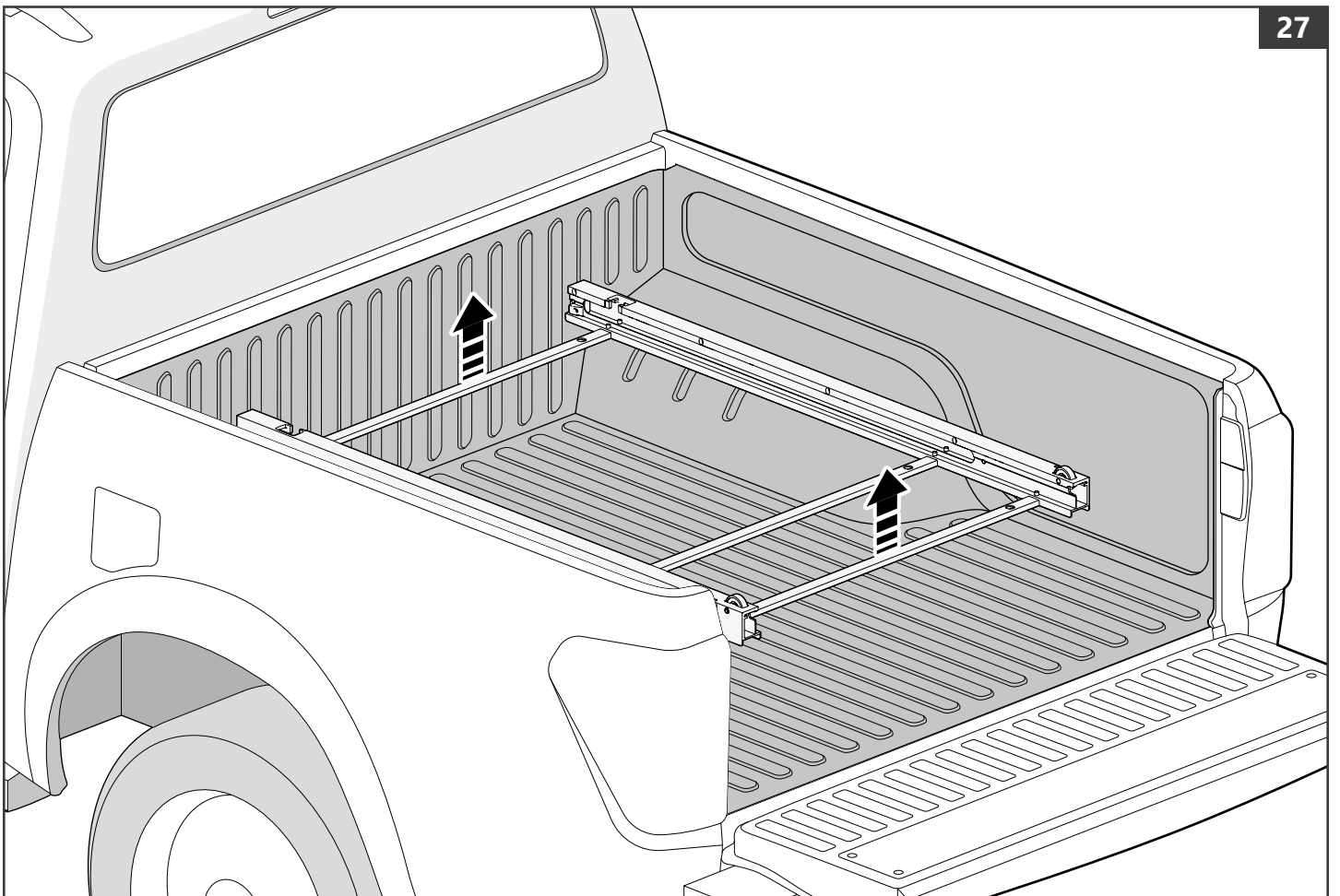
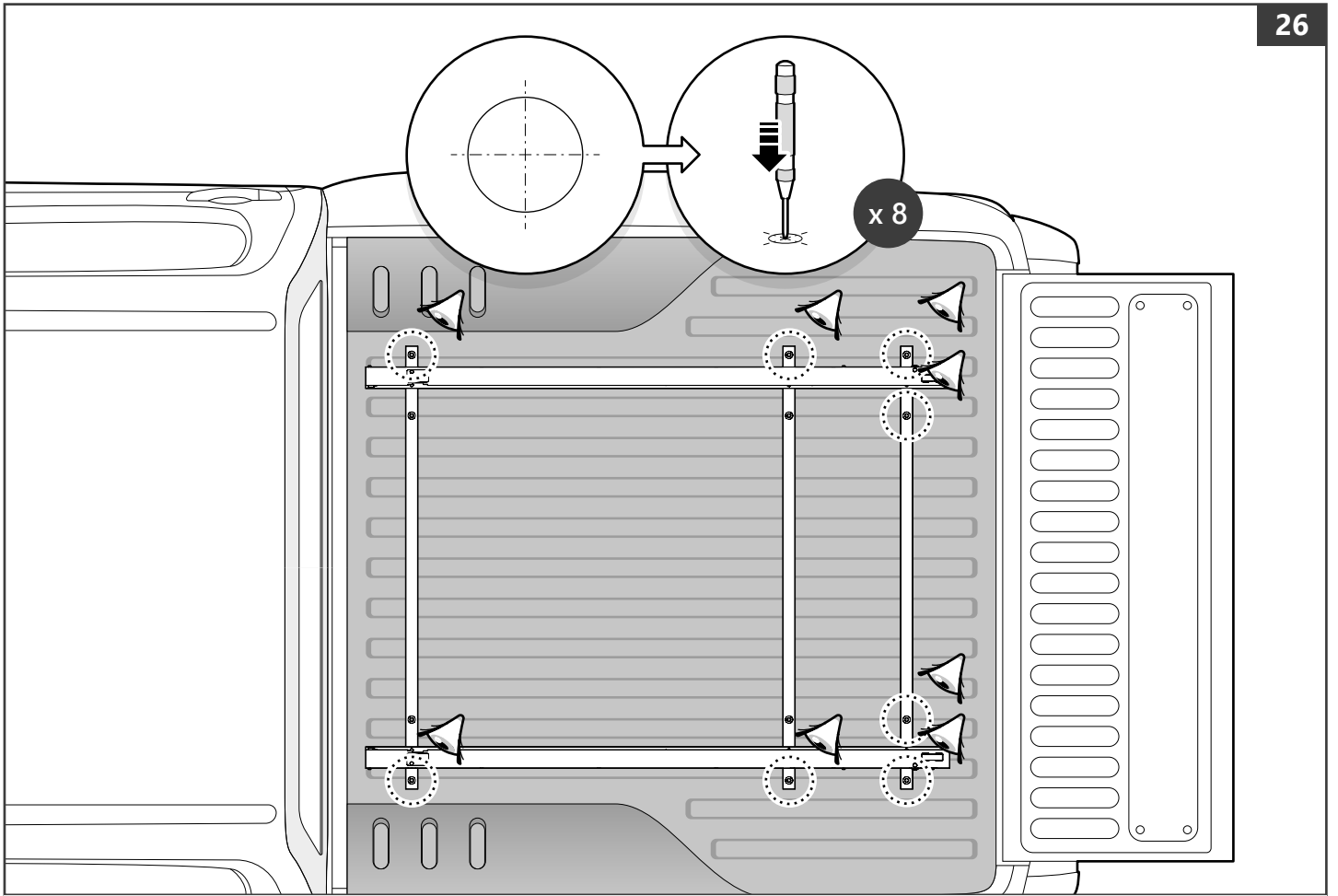


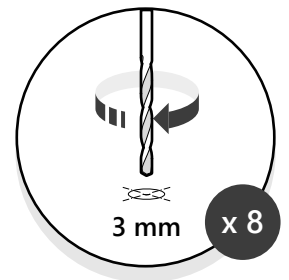
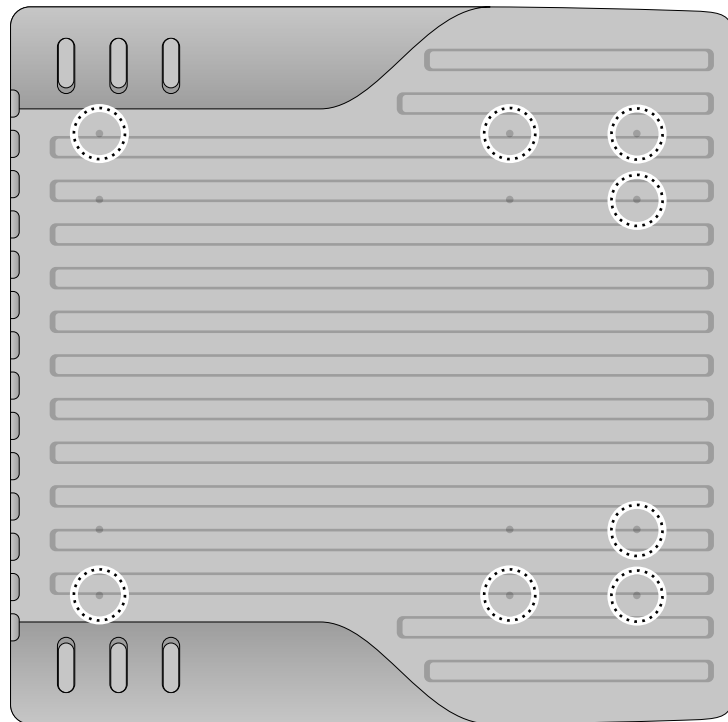
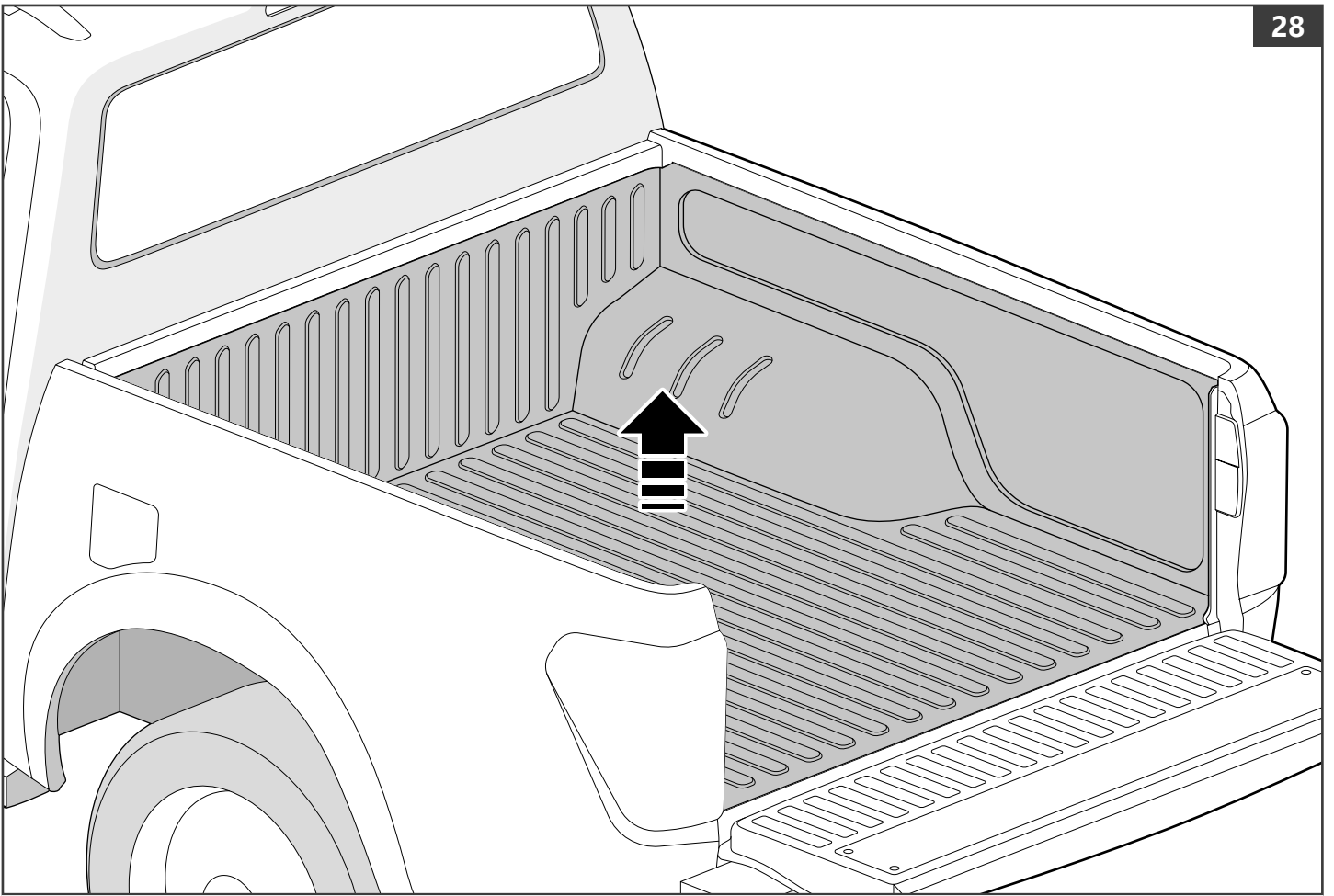


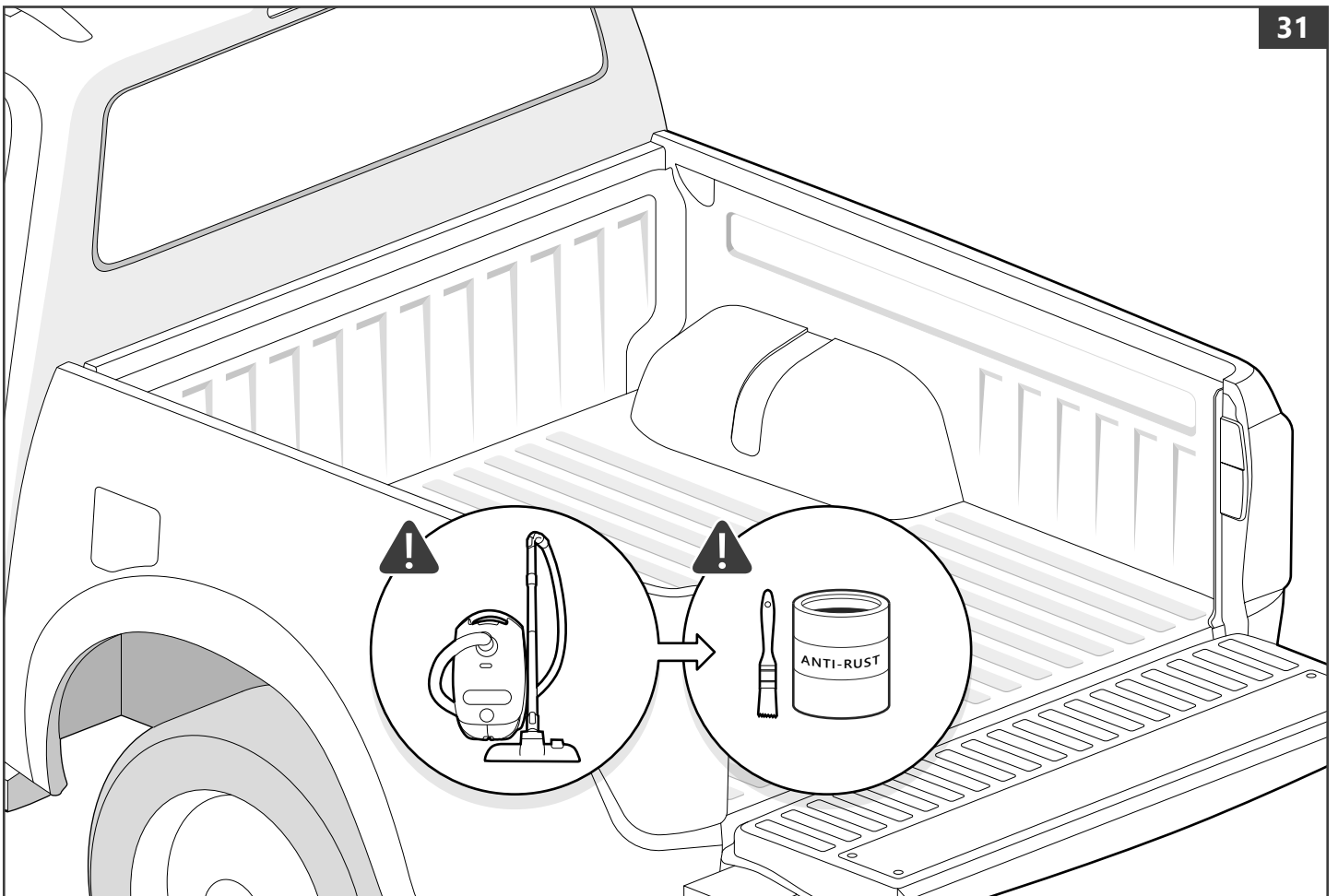
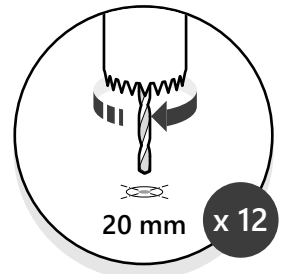
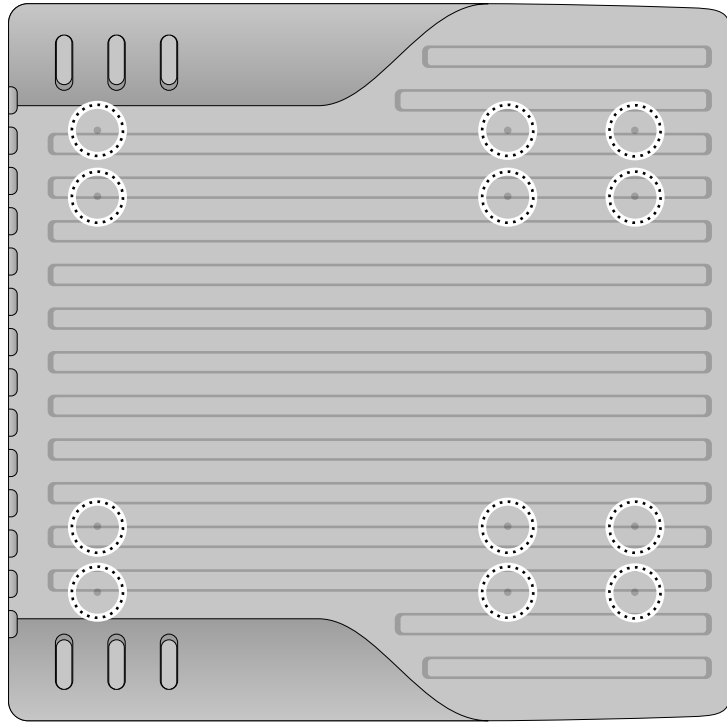


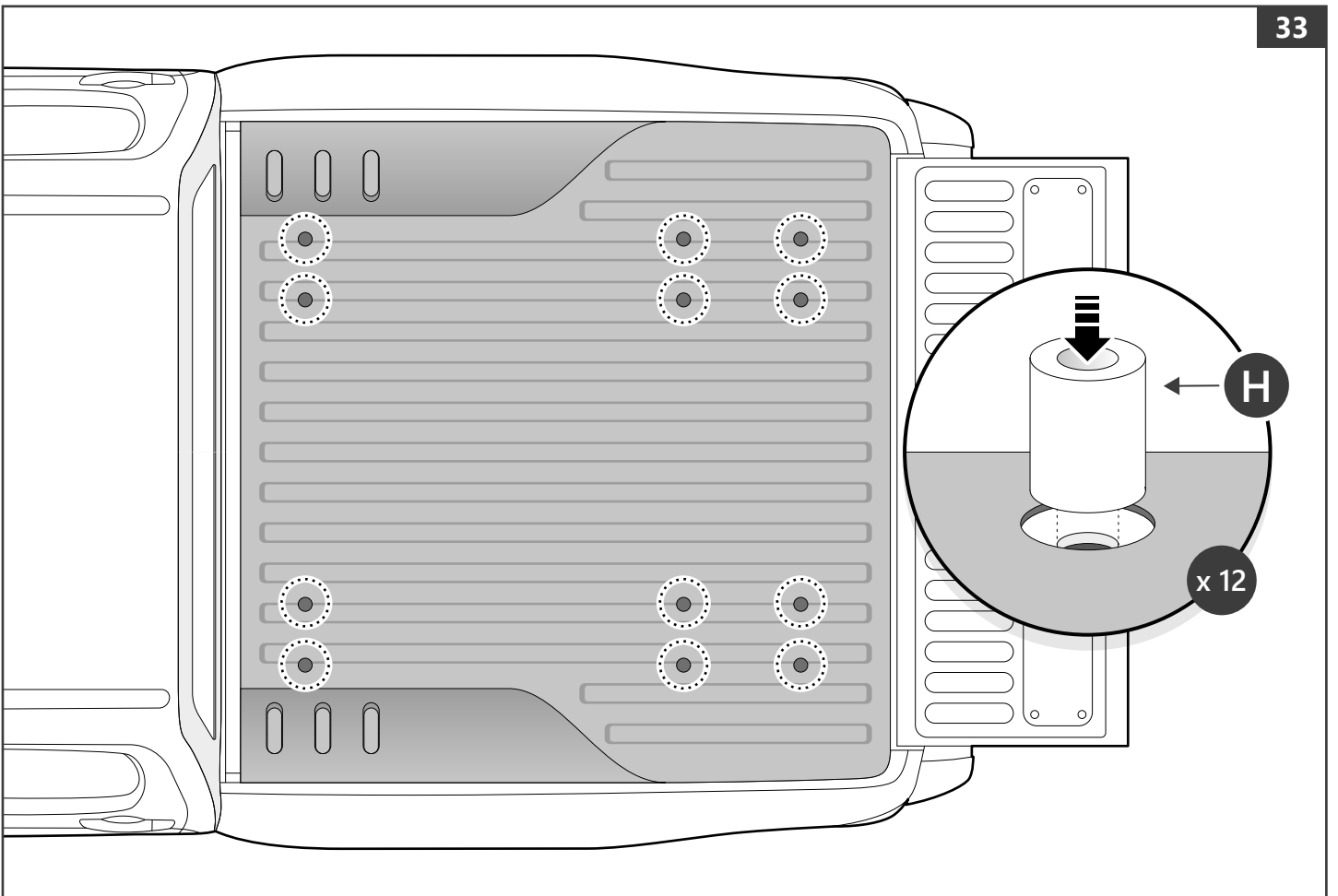
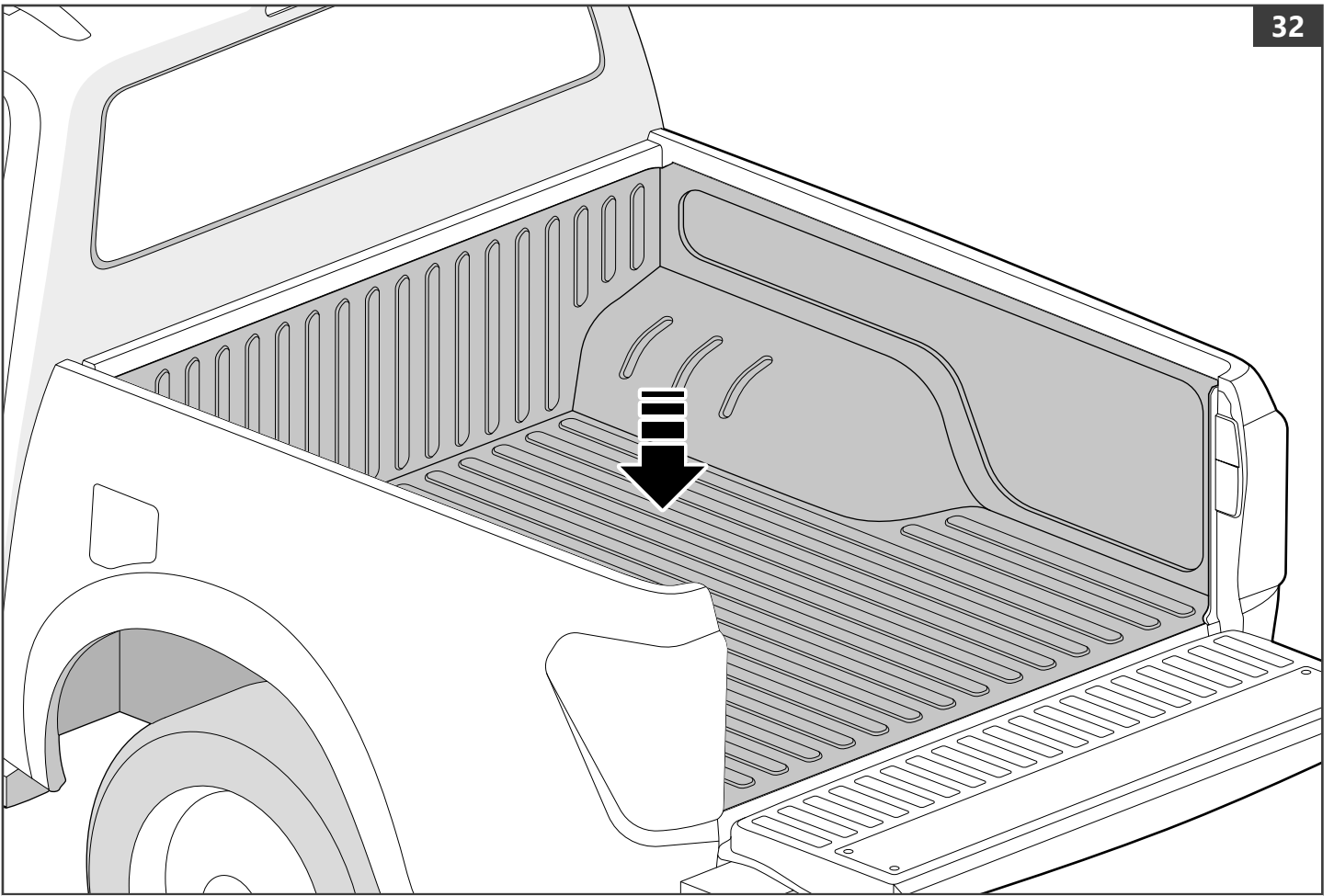


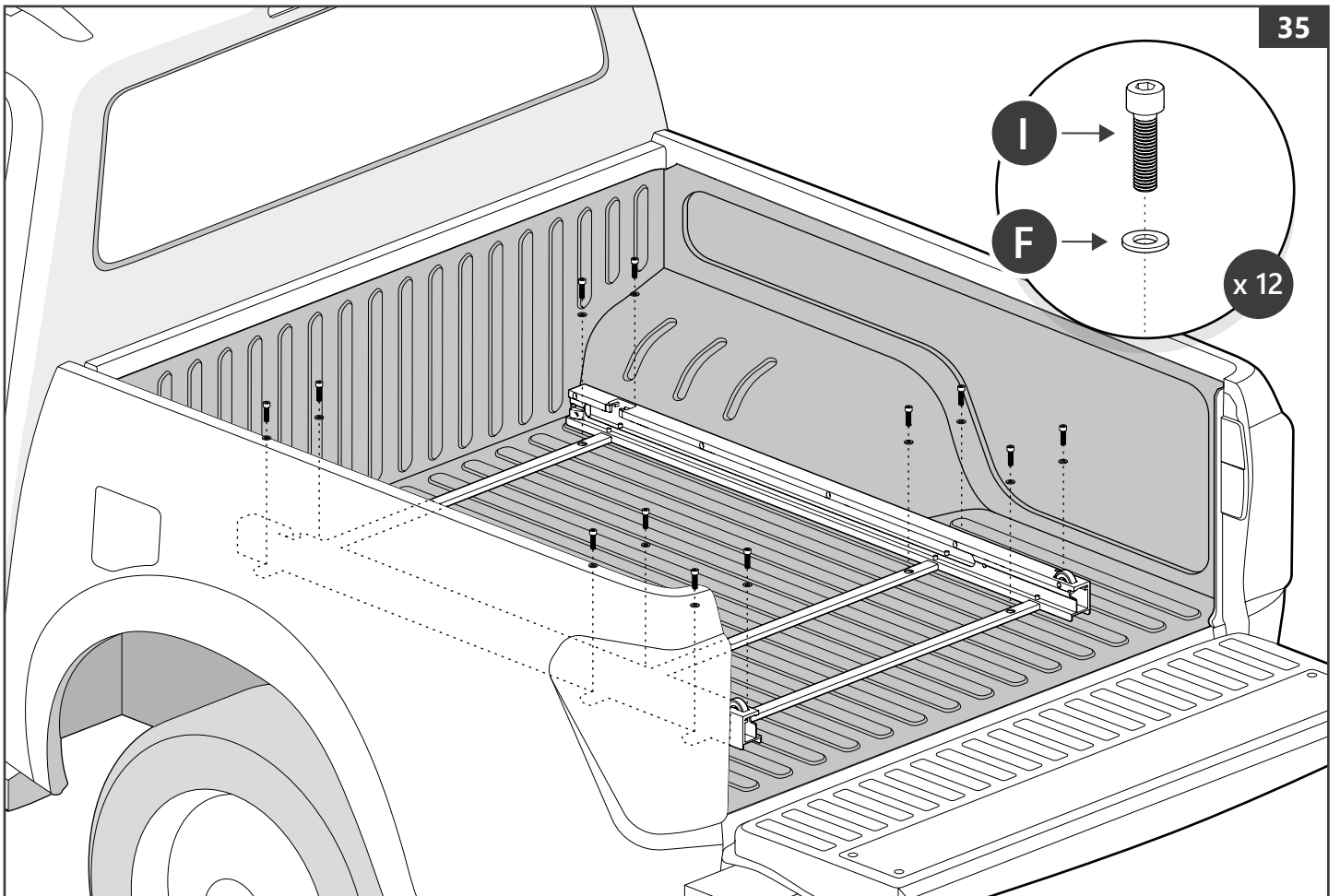
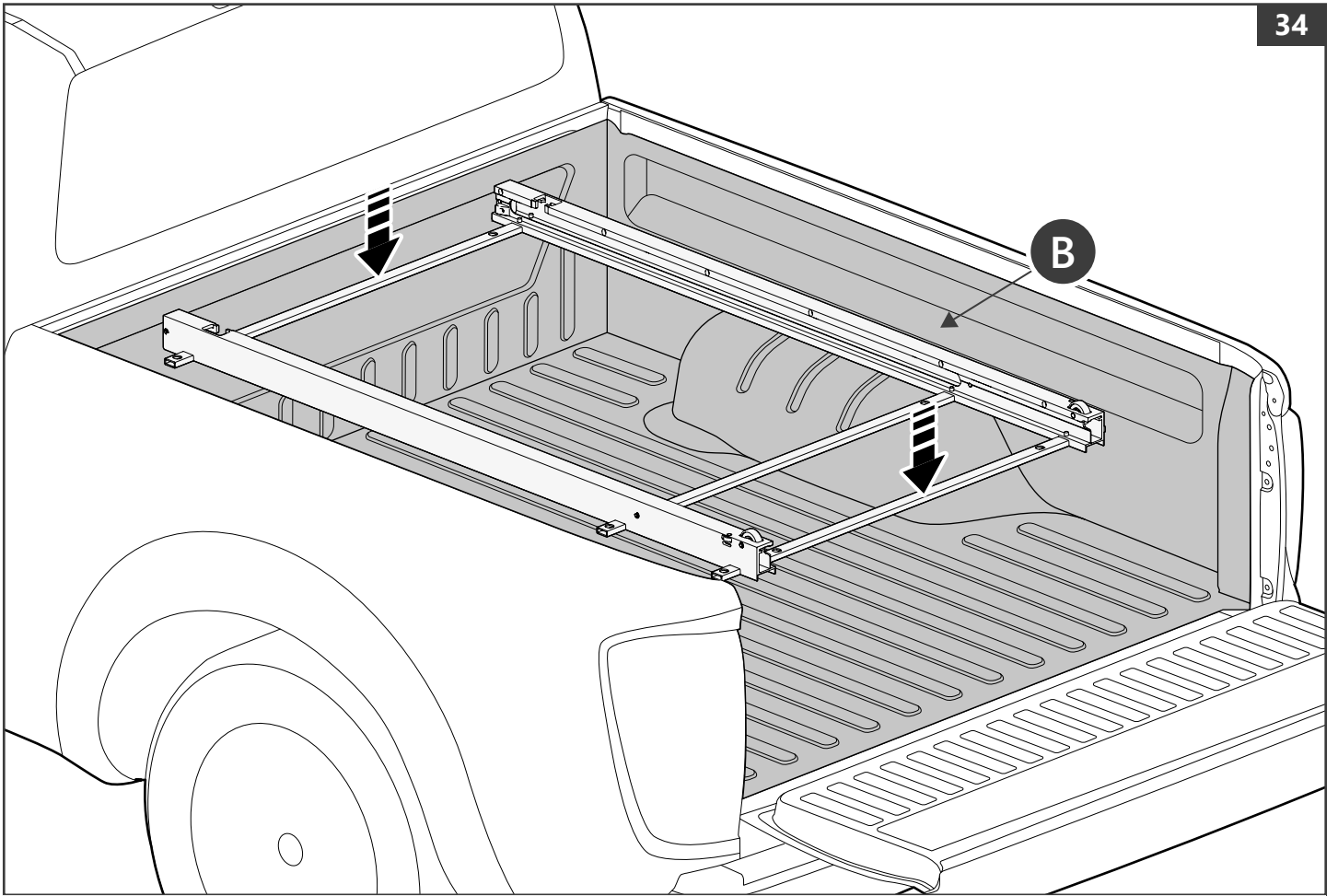


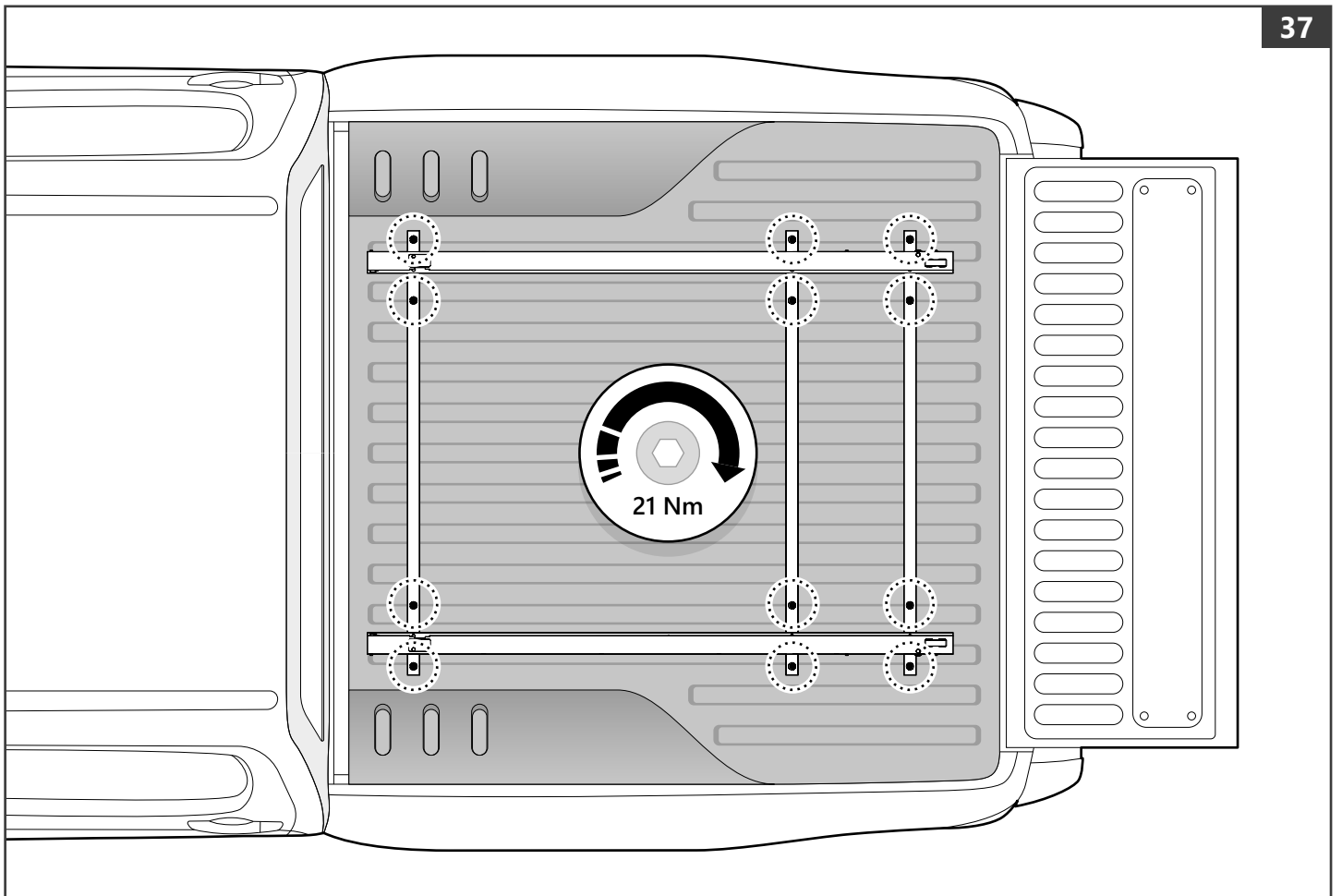
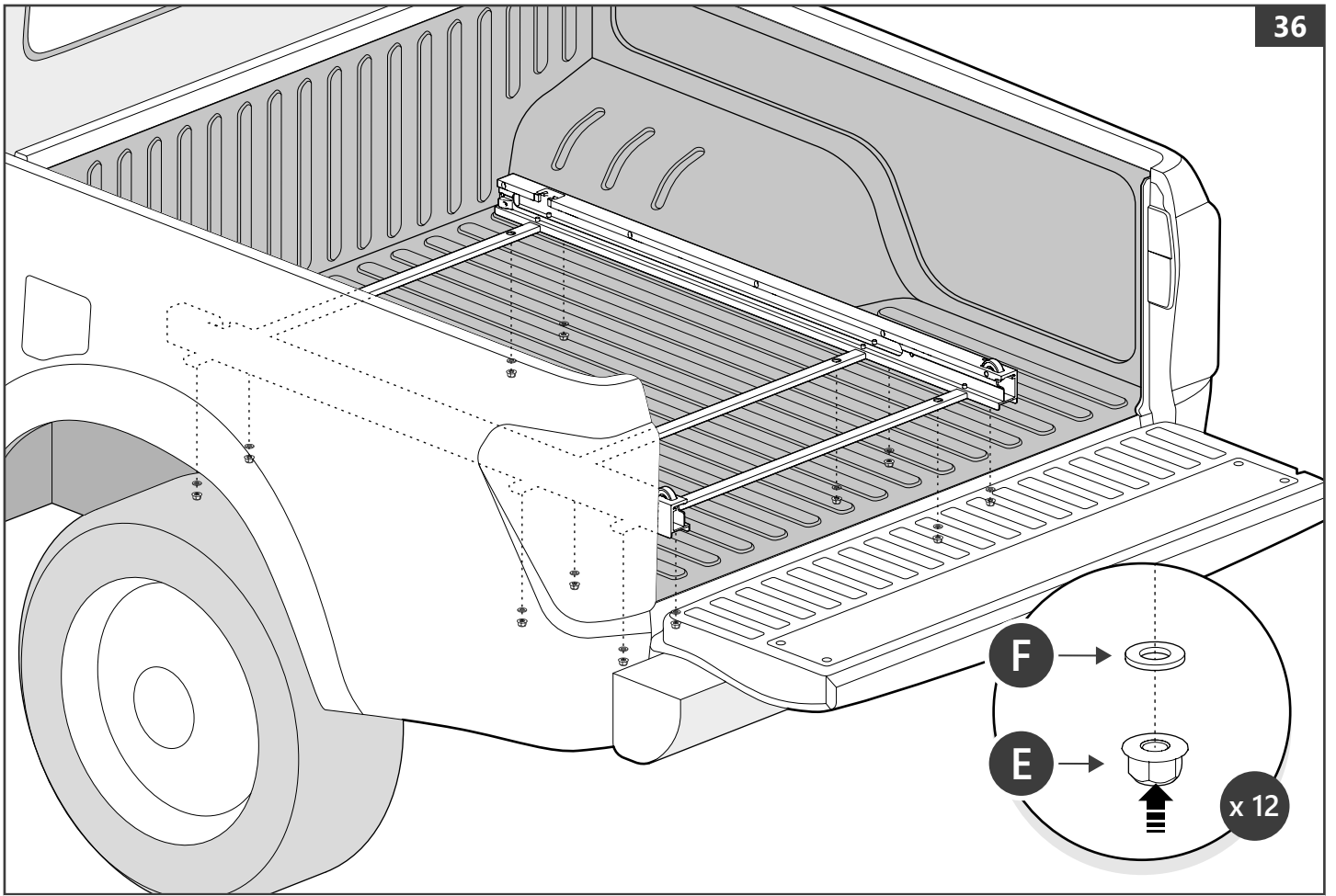


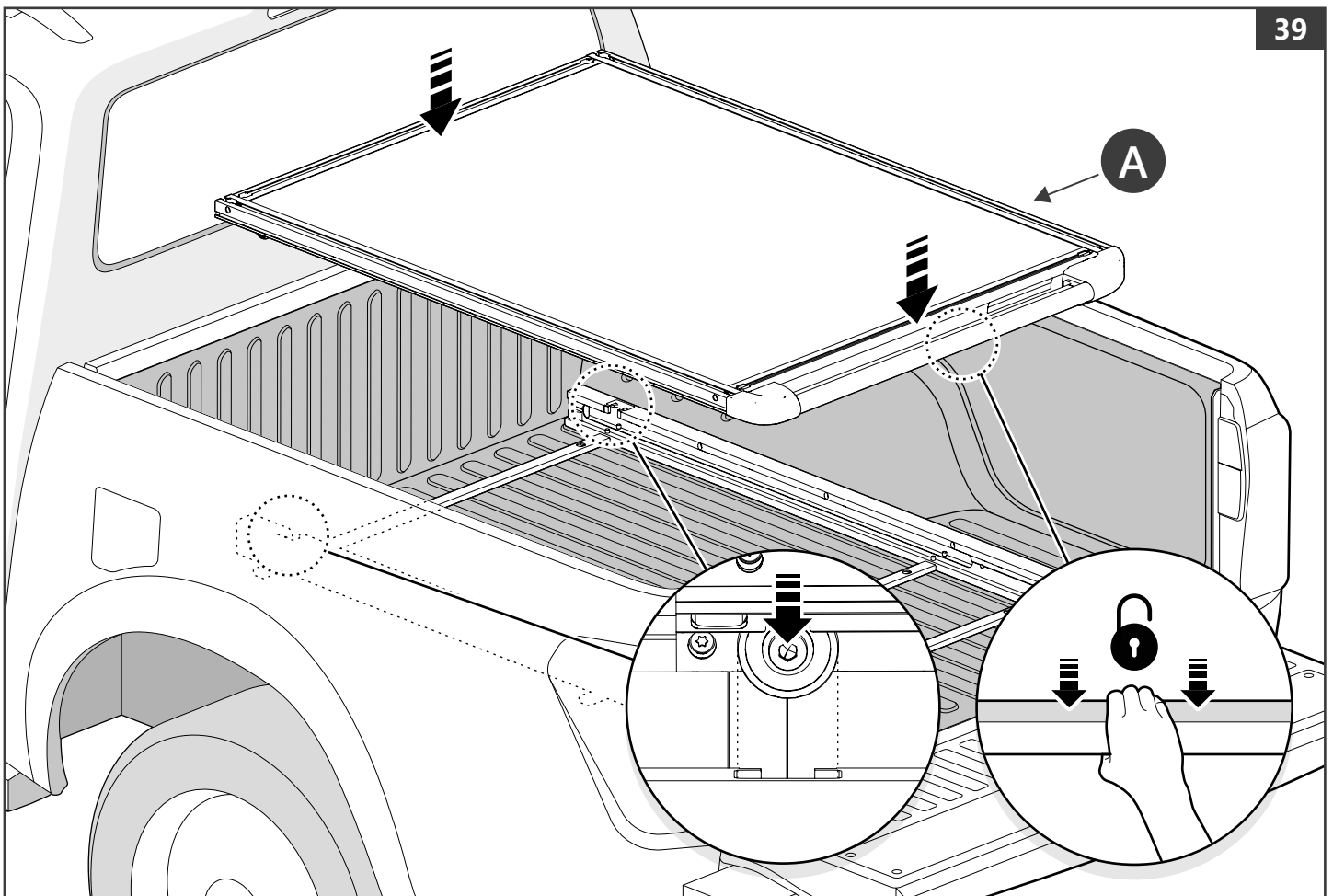
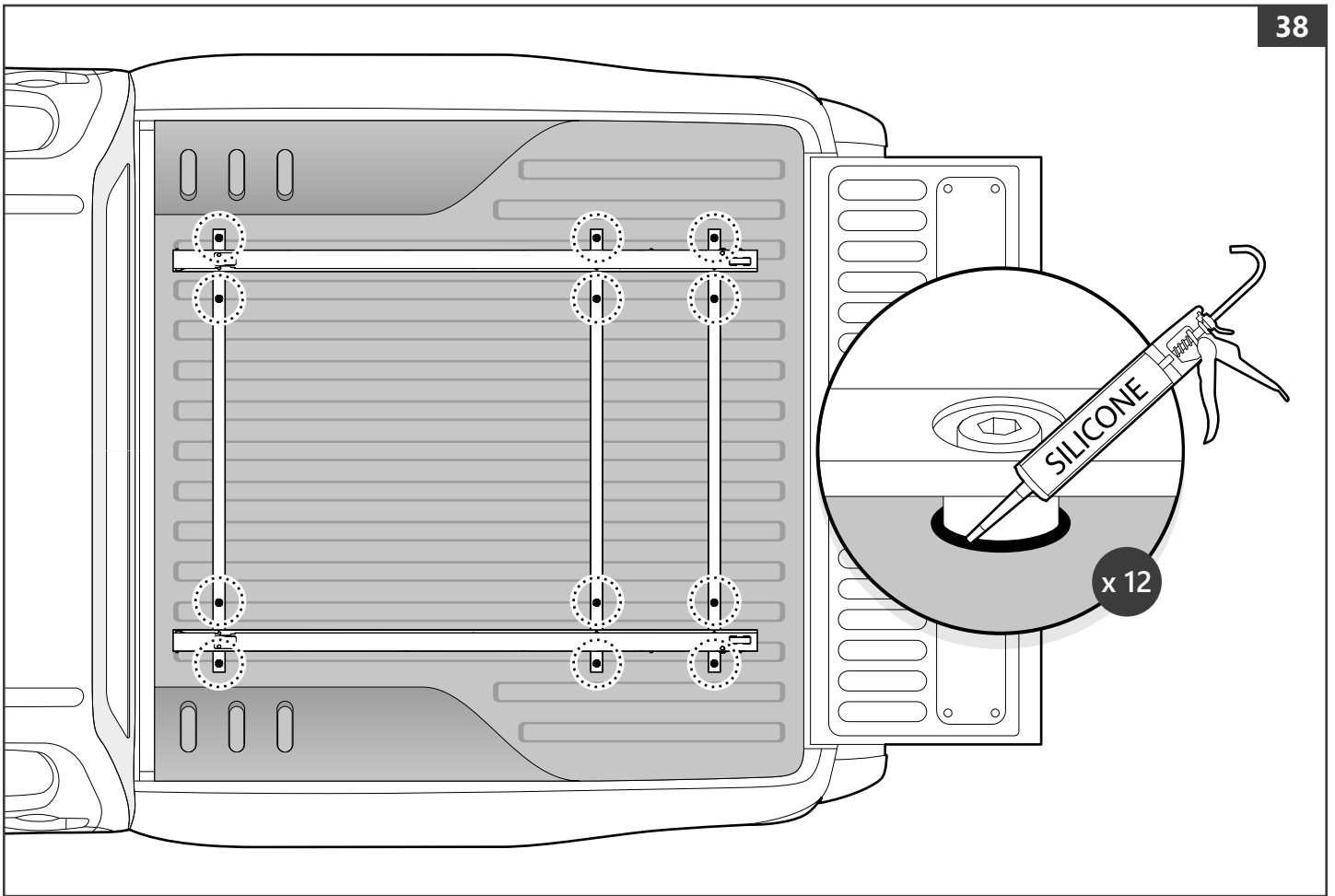


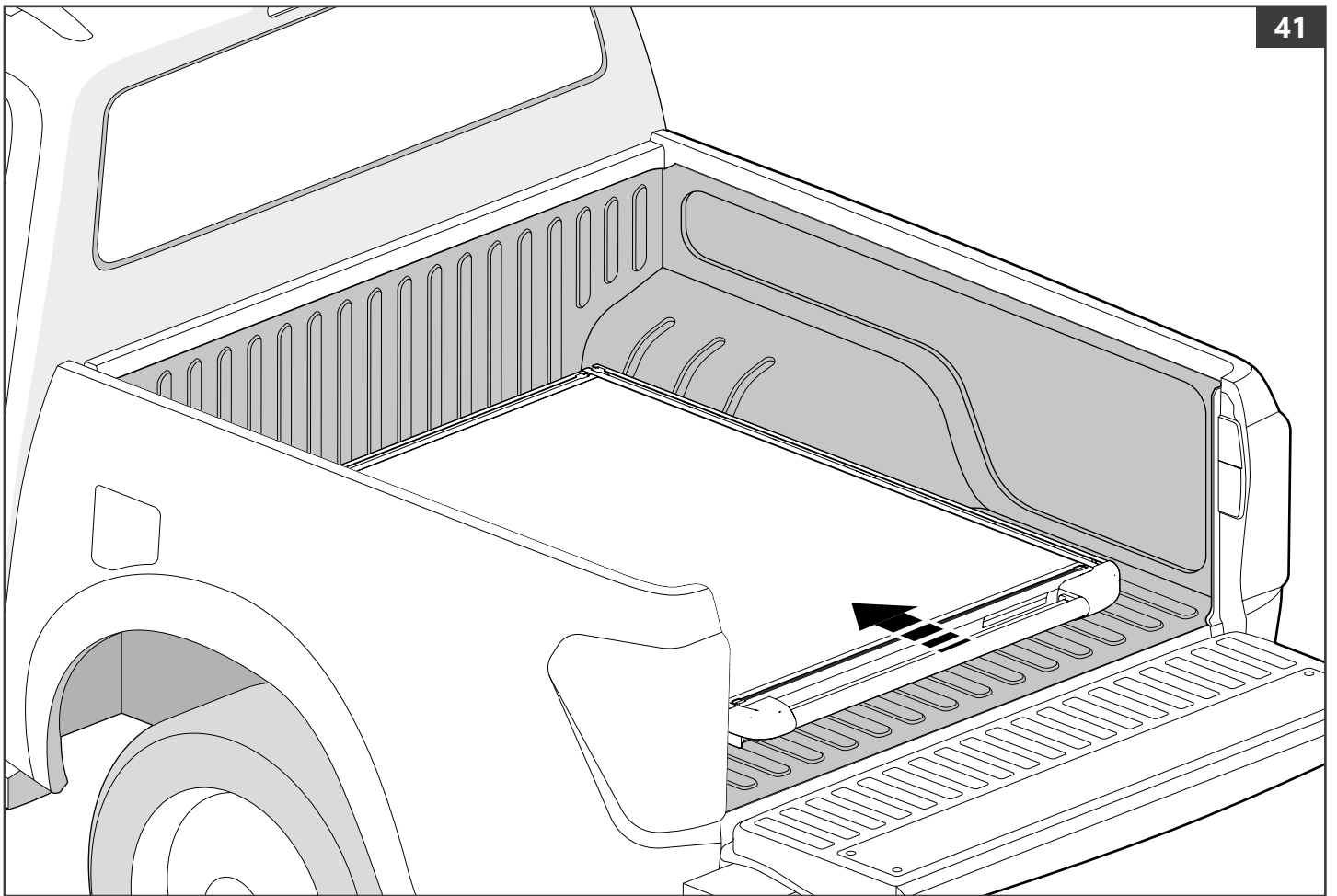
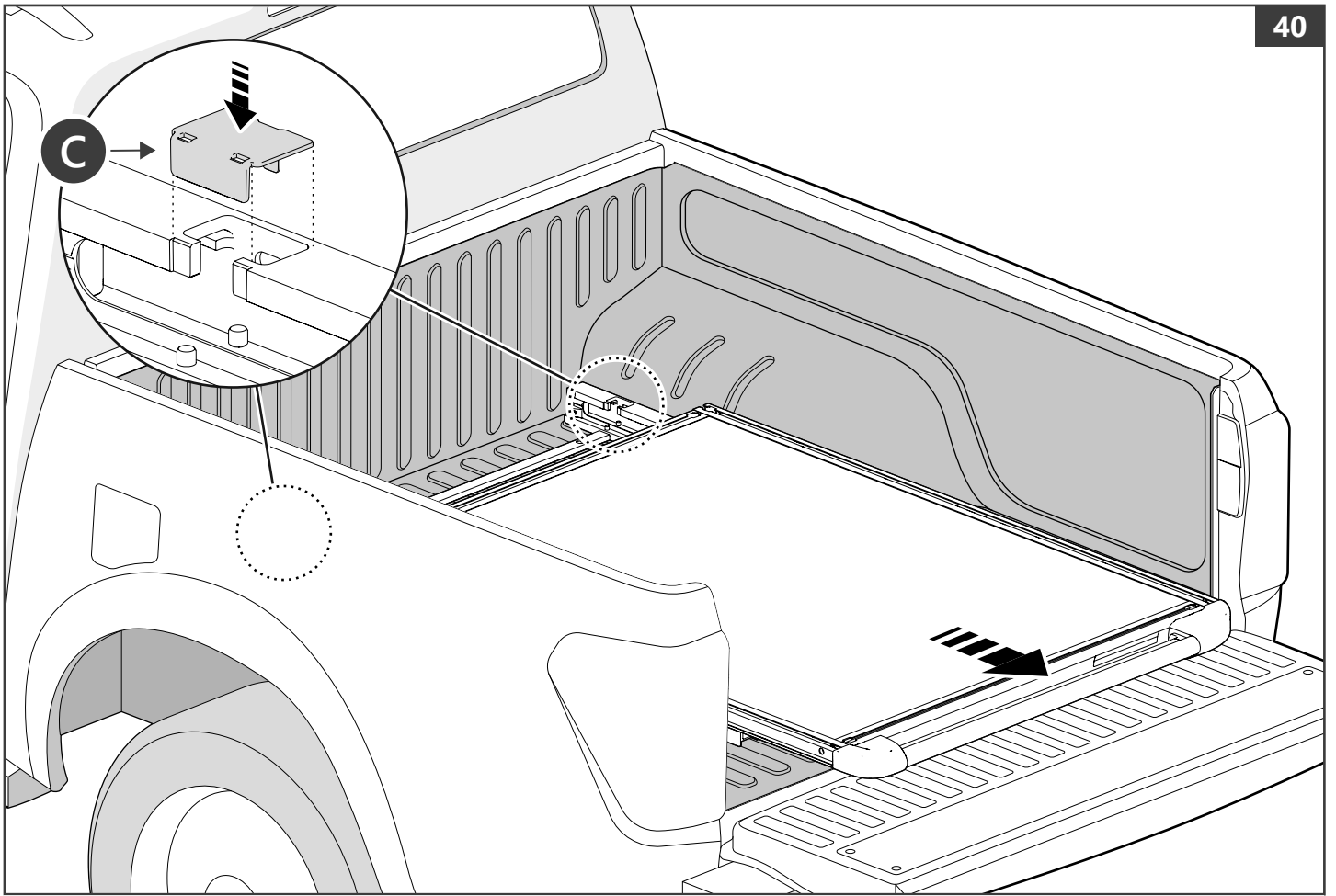














Customer Service +45 4810 2950 (08:00 - 16:00 CET)
Fax +45 4810 2960
Support info@mountaintop.dk
Website www.mountaintop.dk
Address Pedersholmparken 10, 3660 Frederikssund, Denmark

PART NUMBER(S)	MODEL / YEAR	CAB TYPE(S)	INSTALLATION TIME	WEIGHT
MTS IS90	Isuzu / 2006 - 2011	Double	1 hour(s)	33 Kg
MTS MI90	Mitsubishi / 2015 →	Double	1 hour(s)	33 Kg
MTS MI91	Mitsubishi / 2015 →	Club	1 hour(s)	35 Kg

GB Installation manual	S Monteringsanvisning	D Einbauanleitung
SF Asennusohje	E Instrucciones de montaje	CZ Návod k instalaci
F Notice de montage	H Szerelési utasítás	I Istruzioni de montaggio
PL Instrukcja montażu	P Instruções de instalação	GR Οδηγίες Εγκατάστασης
NL Installatie-instructies	RUS Инструкция по установке	DK Monteringsvejledning
TR Montaj Talimatı	N Monteringsveiledning	RO Instructiuni de instalare