

Mountain Top® Slide

Installation manual

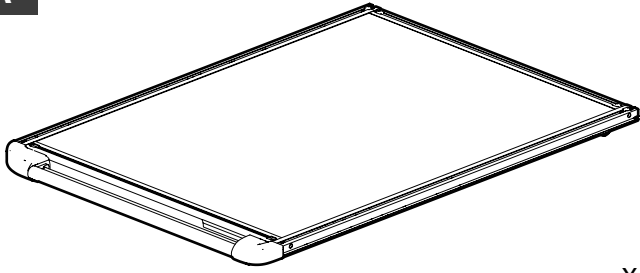


DOWNLOAD PDF



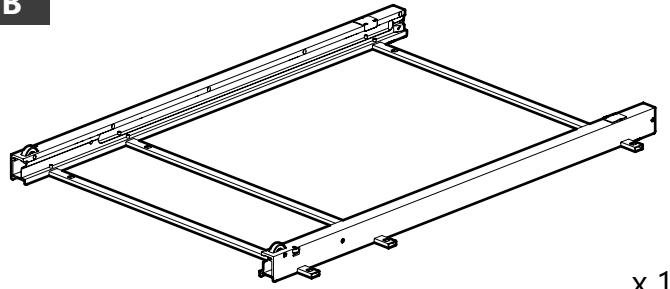
Parts

A



x 1

B

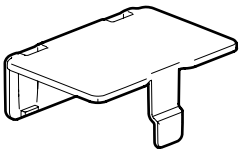


x 1



Kit # 836 012

C

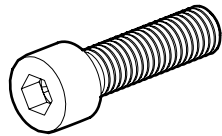


x 2



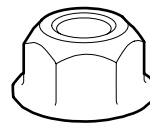
Kit # 833 940

D



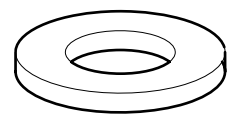
x 12

E



x 12

F

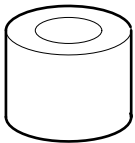


x 24



Kit # 836 200

G

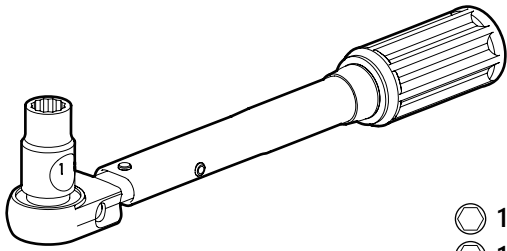





x 2

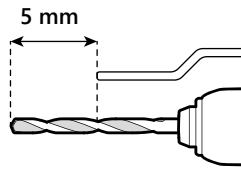


Tools and materials needed

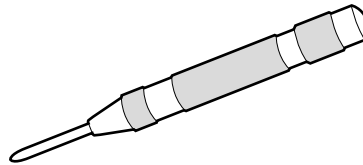
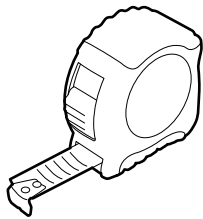
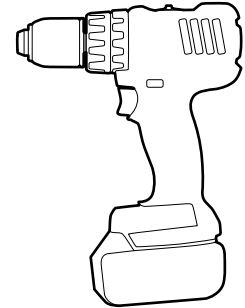
1-25 Nm



-  10 mm
-  13 mm
-  5 mm

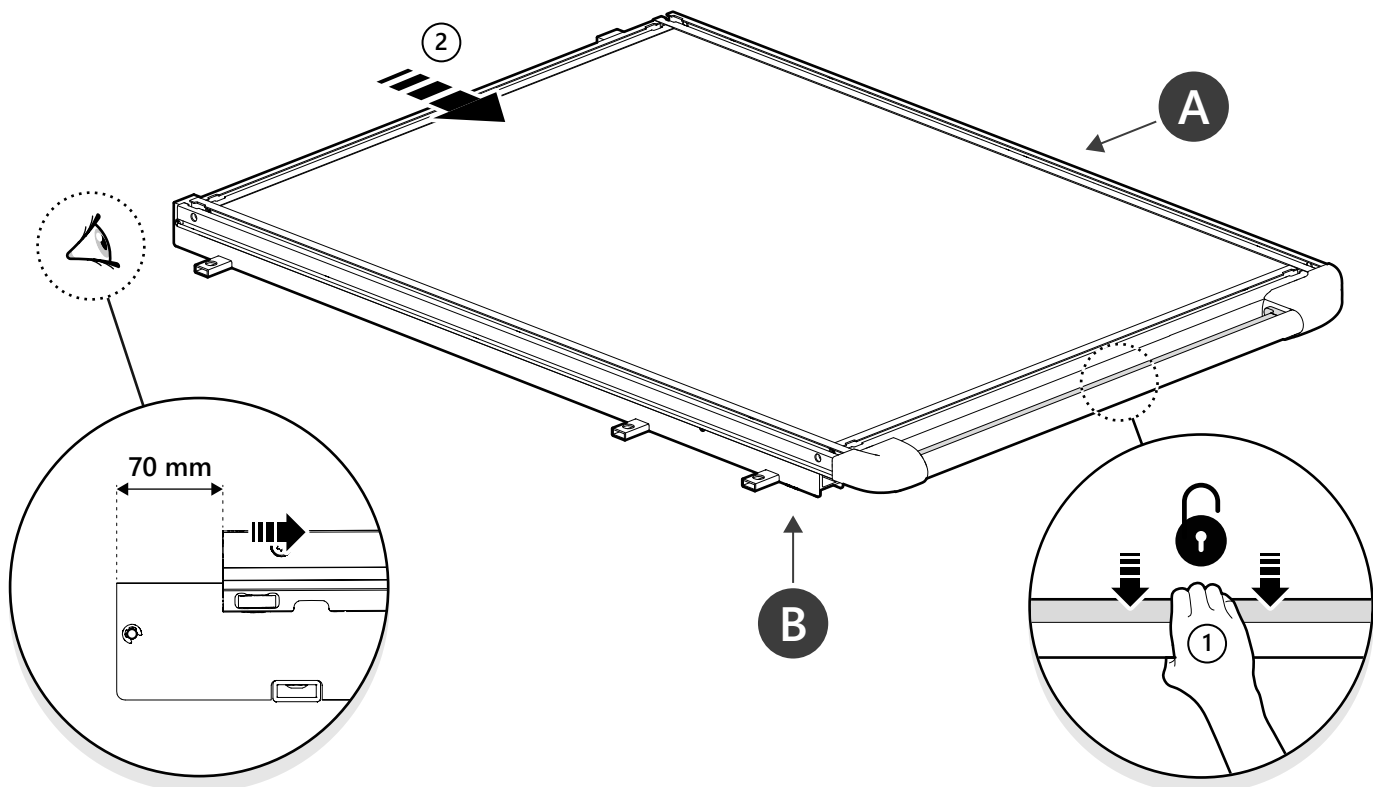


5 mm
Ø 3 mm
Ø 8,5 mm

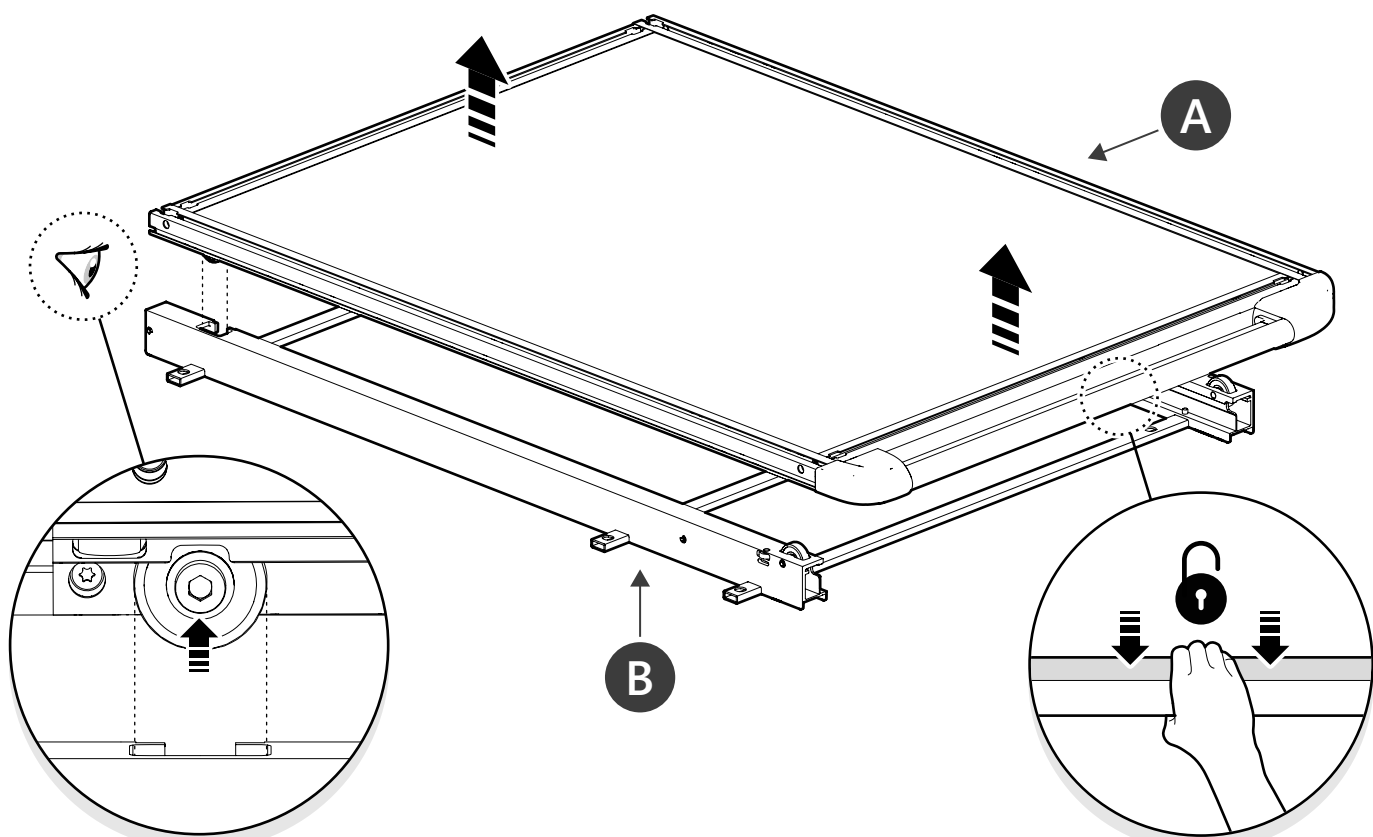


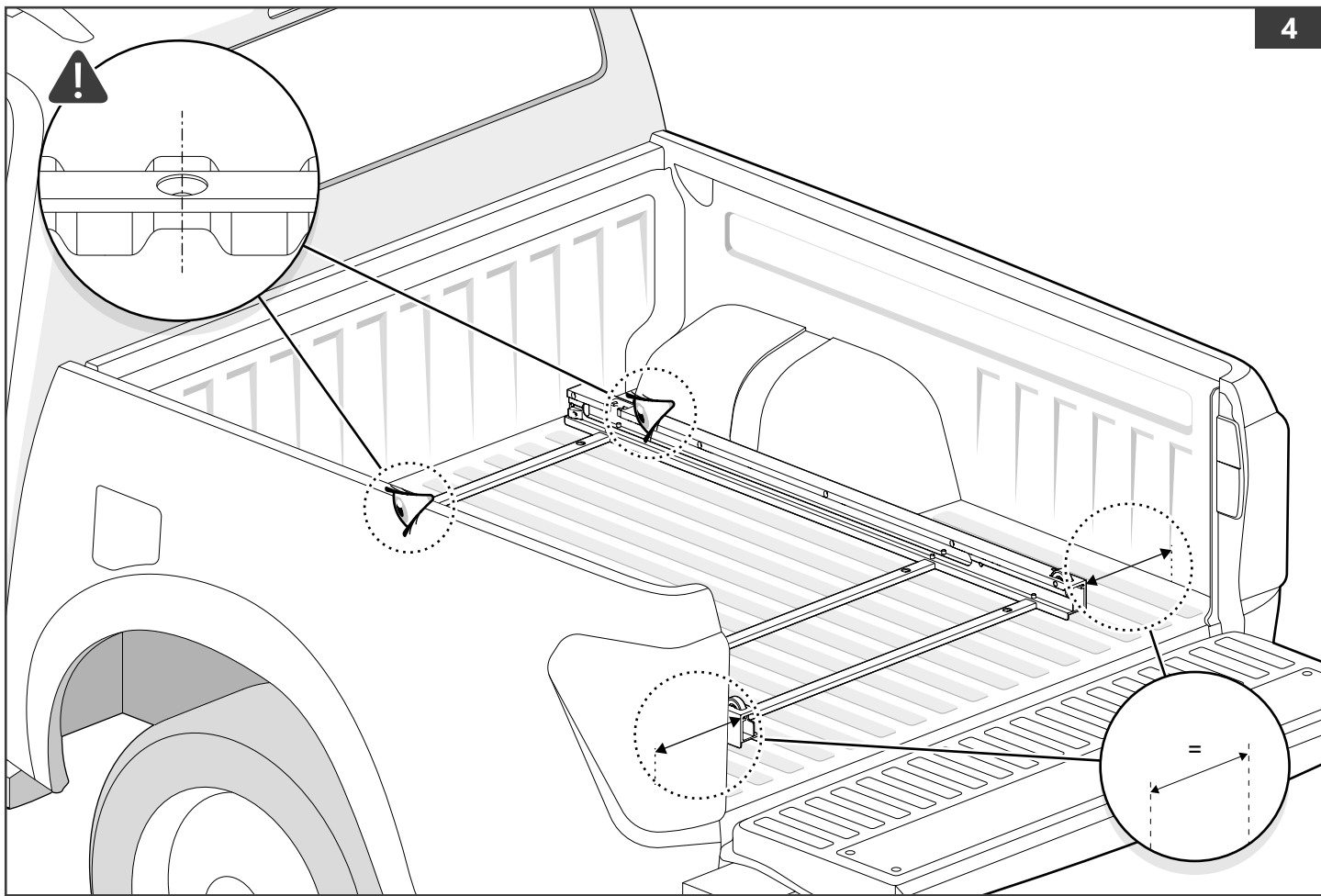
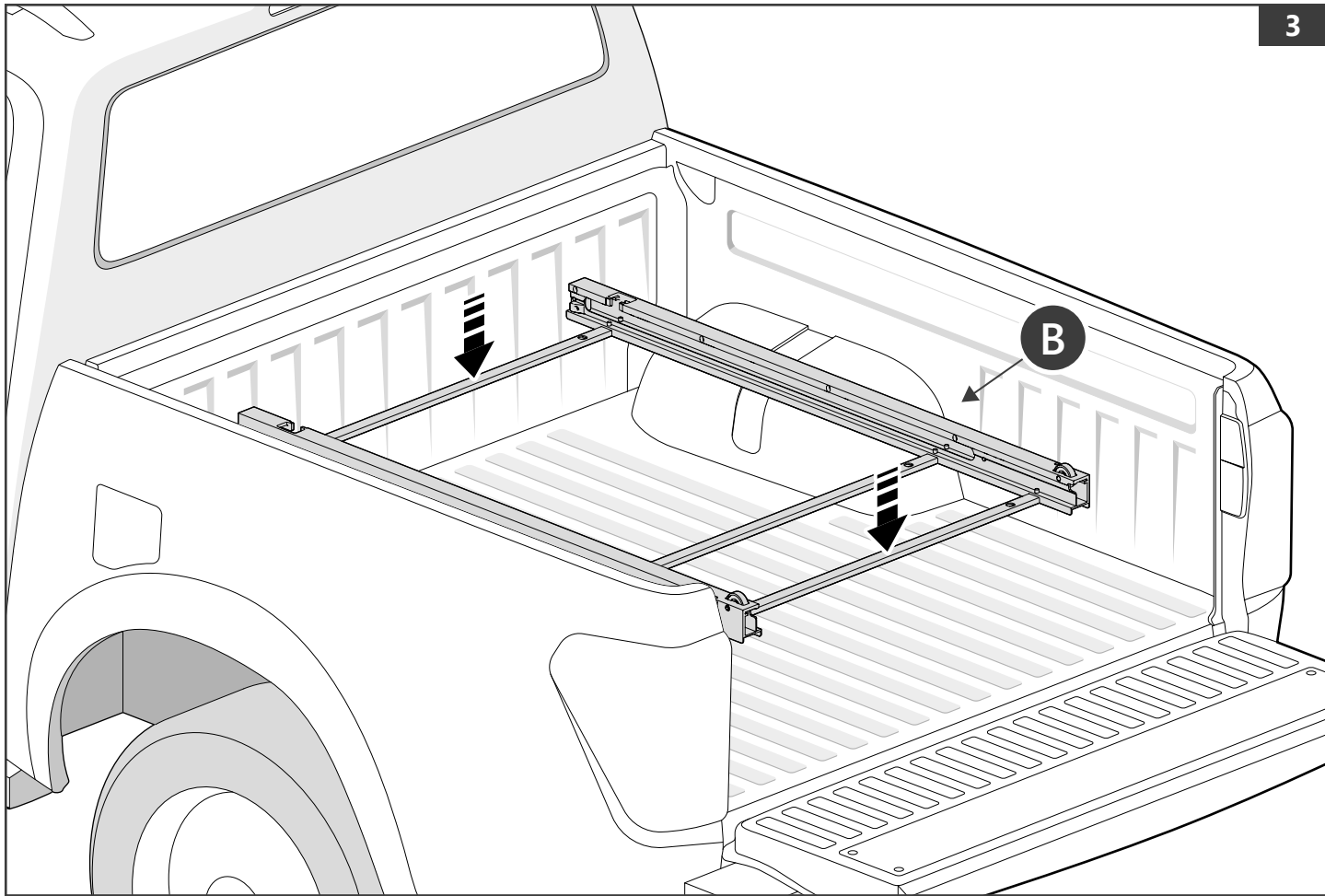
Rust protection
Rostschutzmittel
Anti-rouille
Anti roest

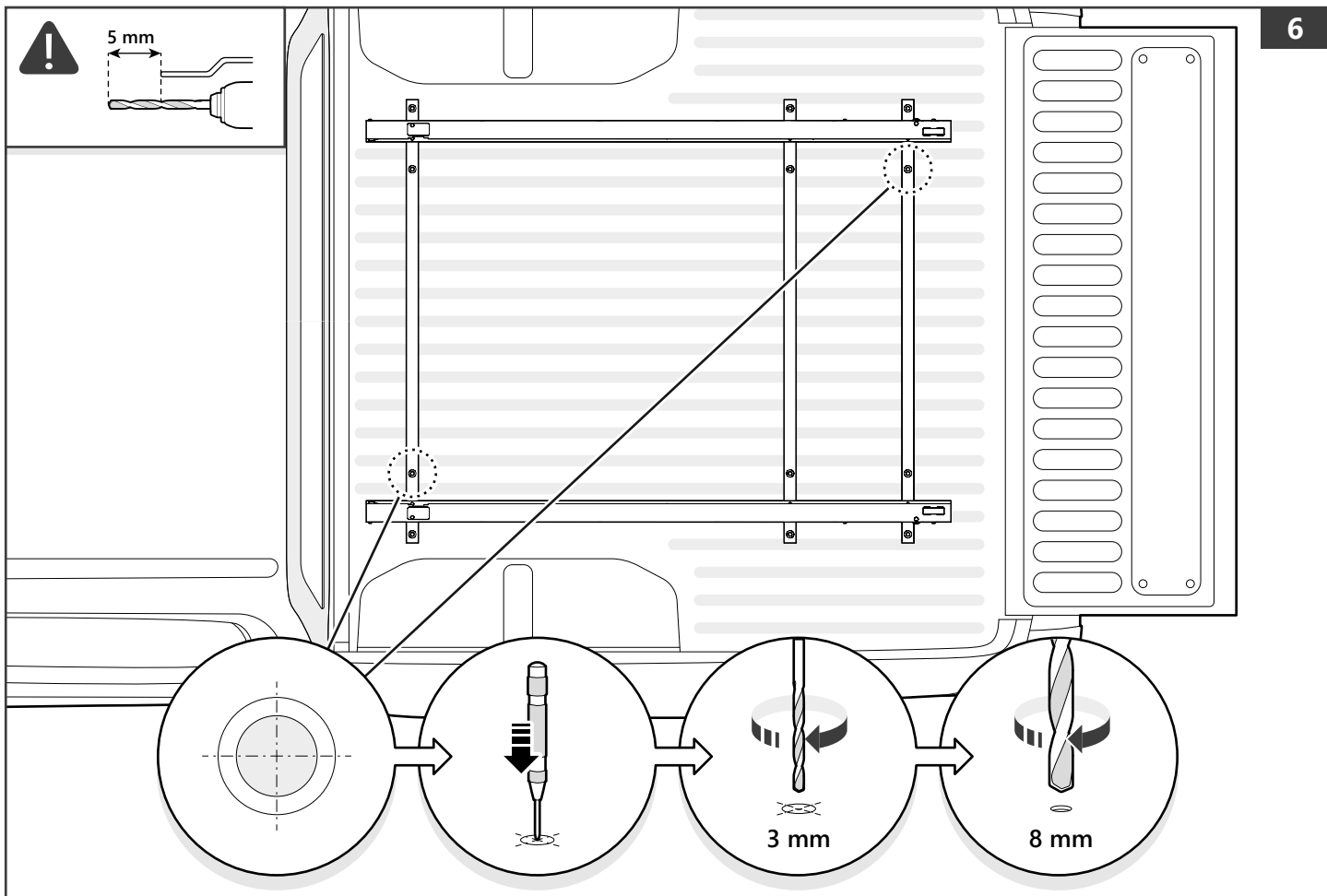
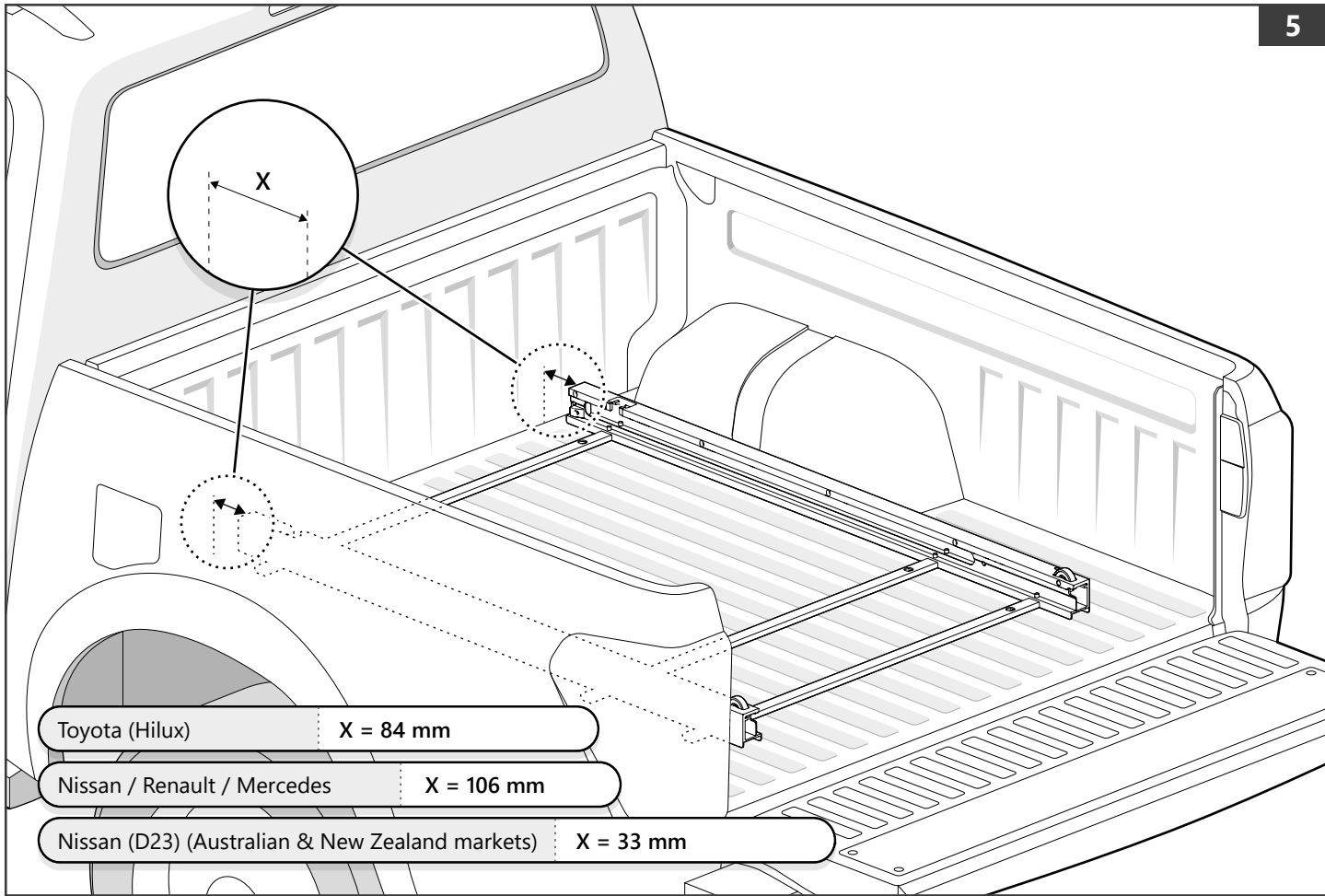
1

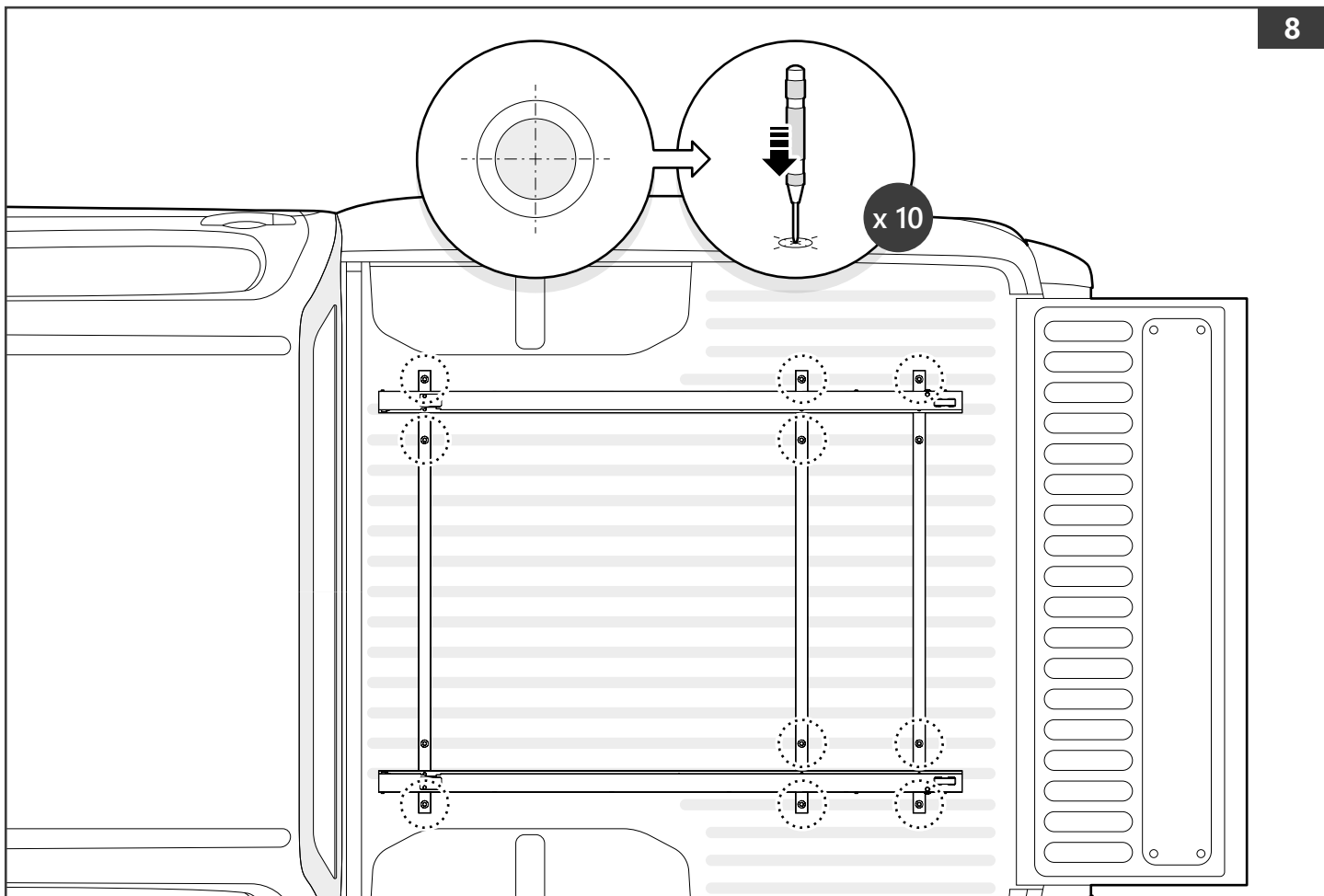
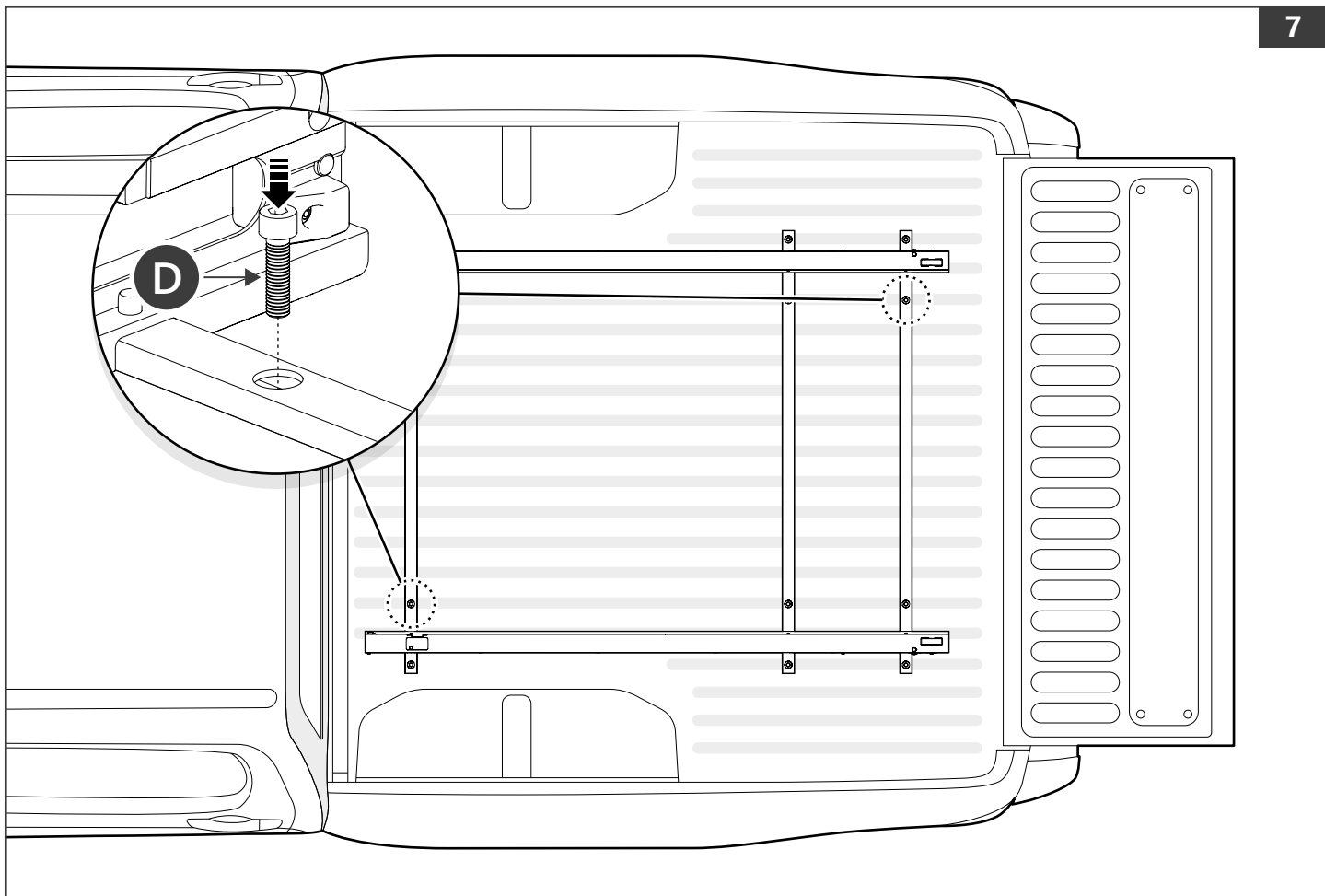


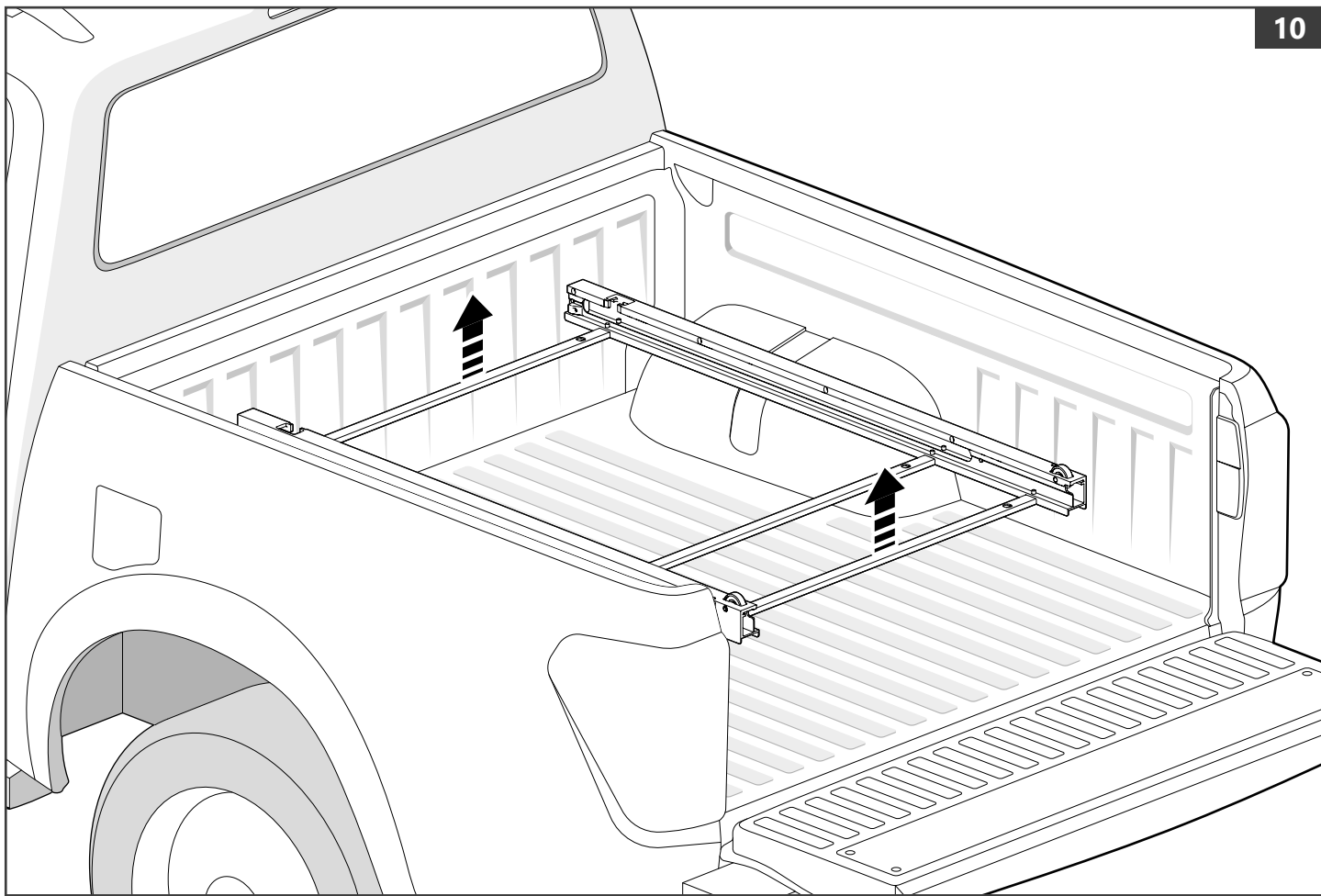
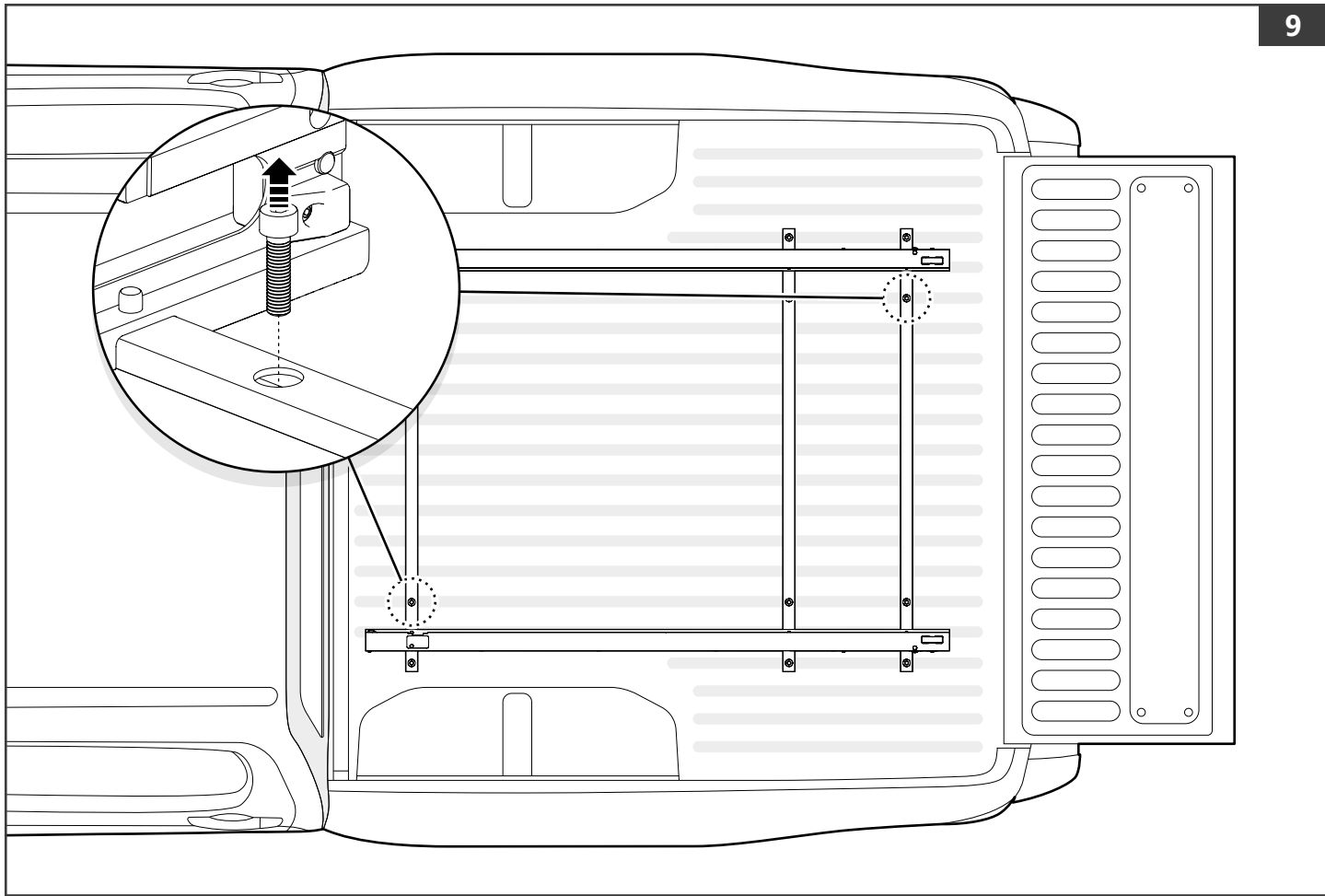
2

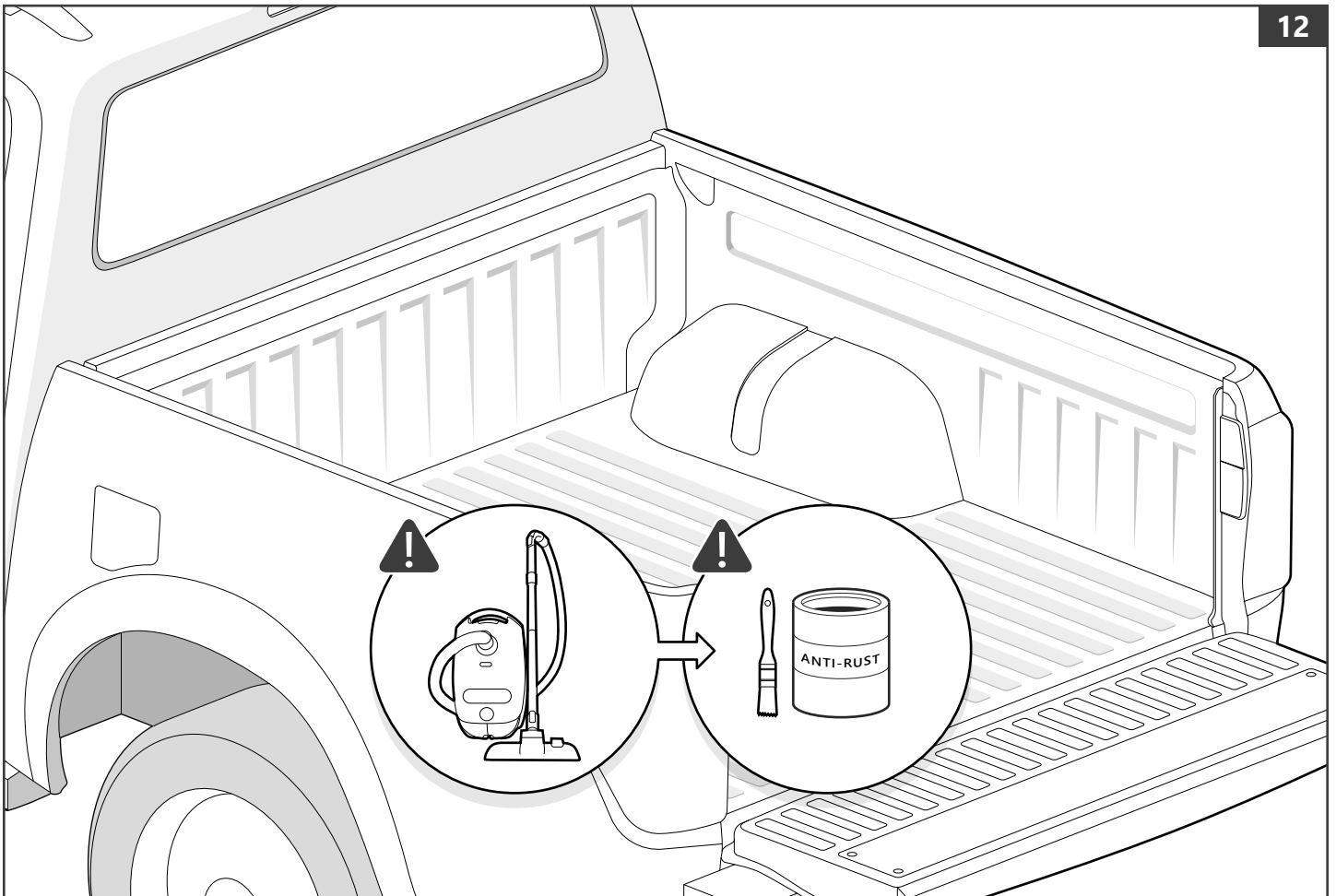
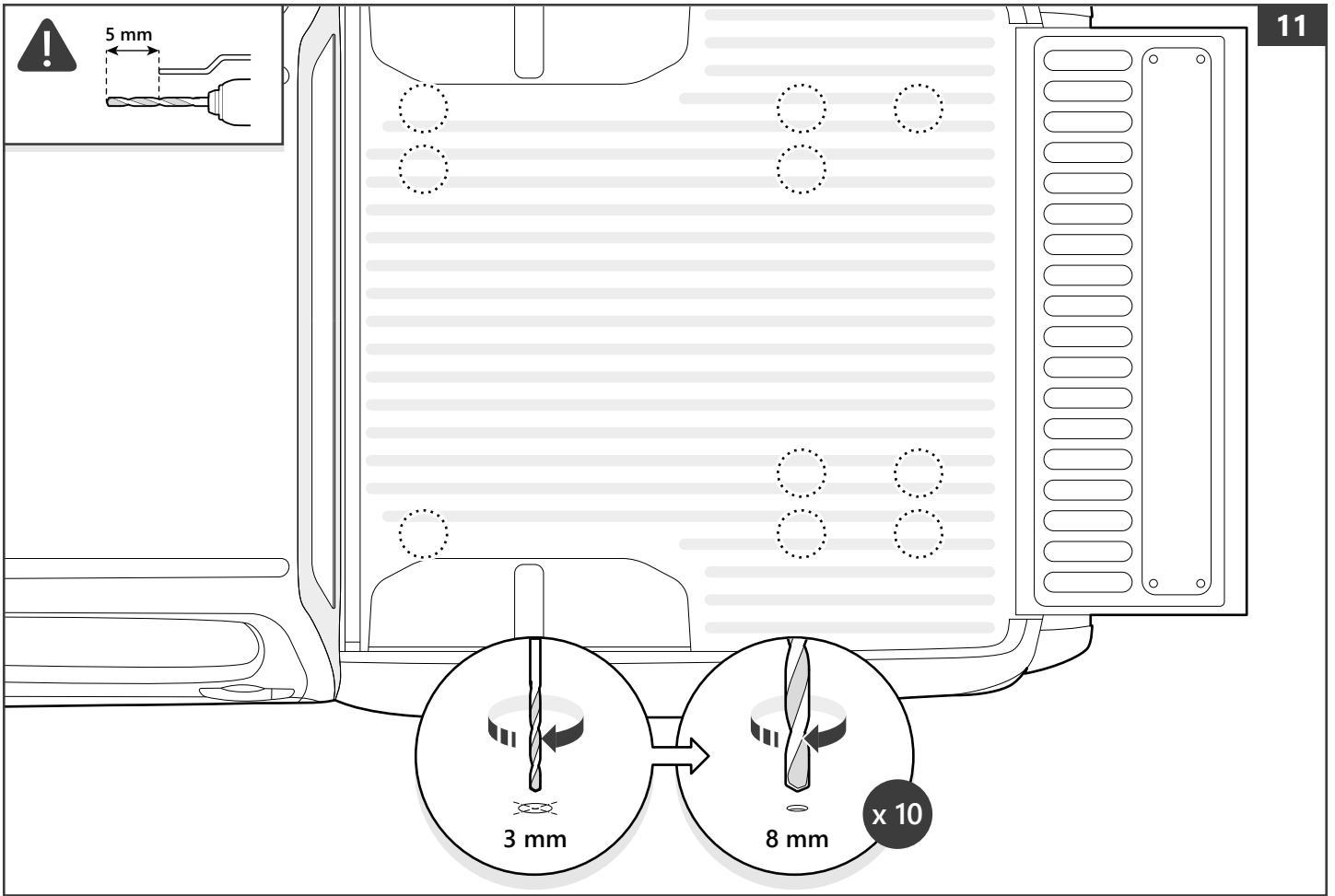


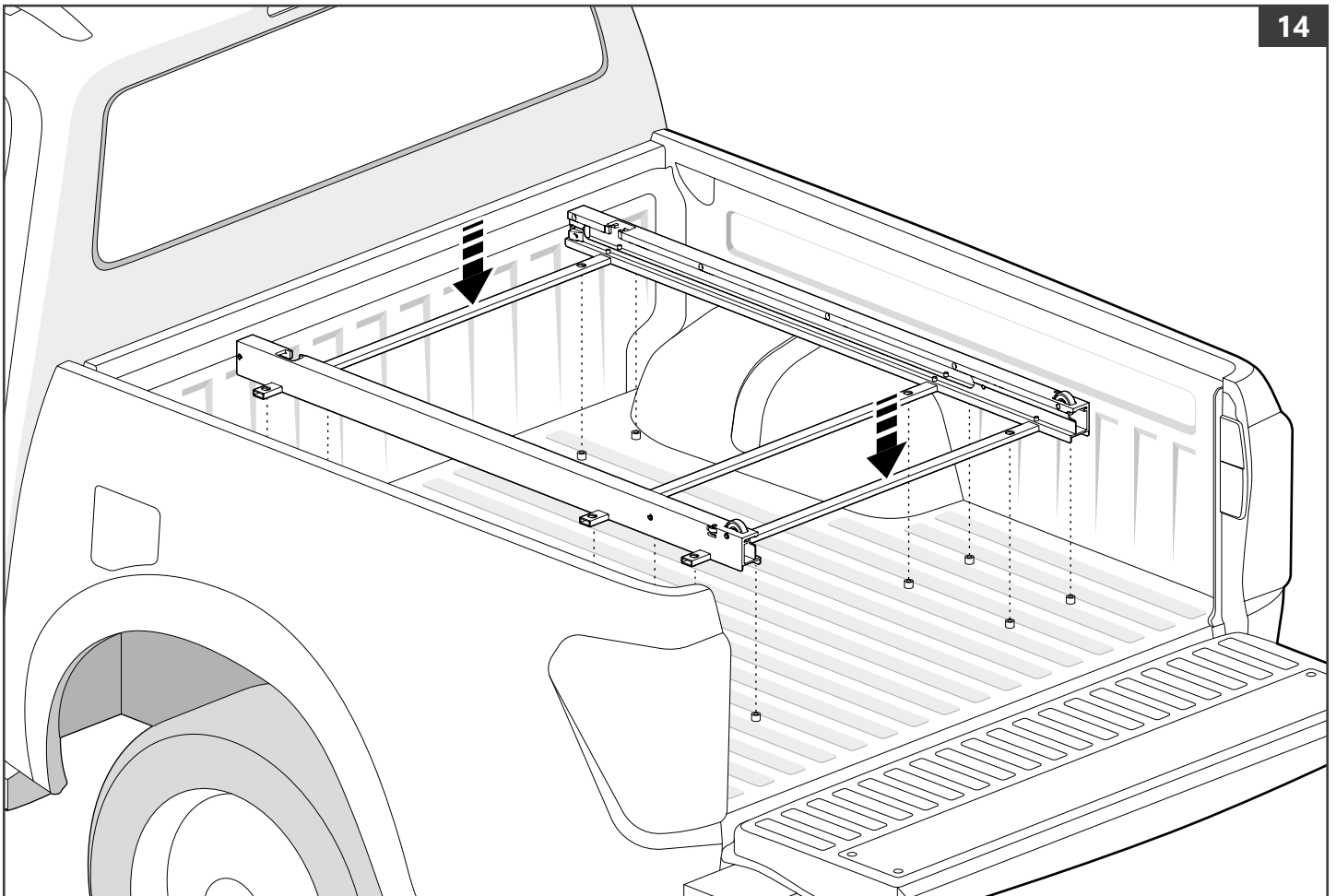
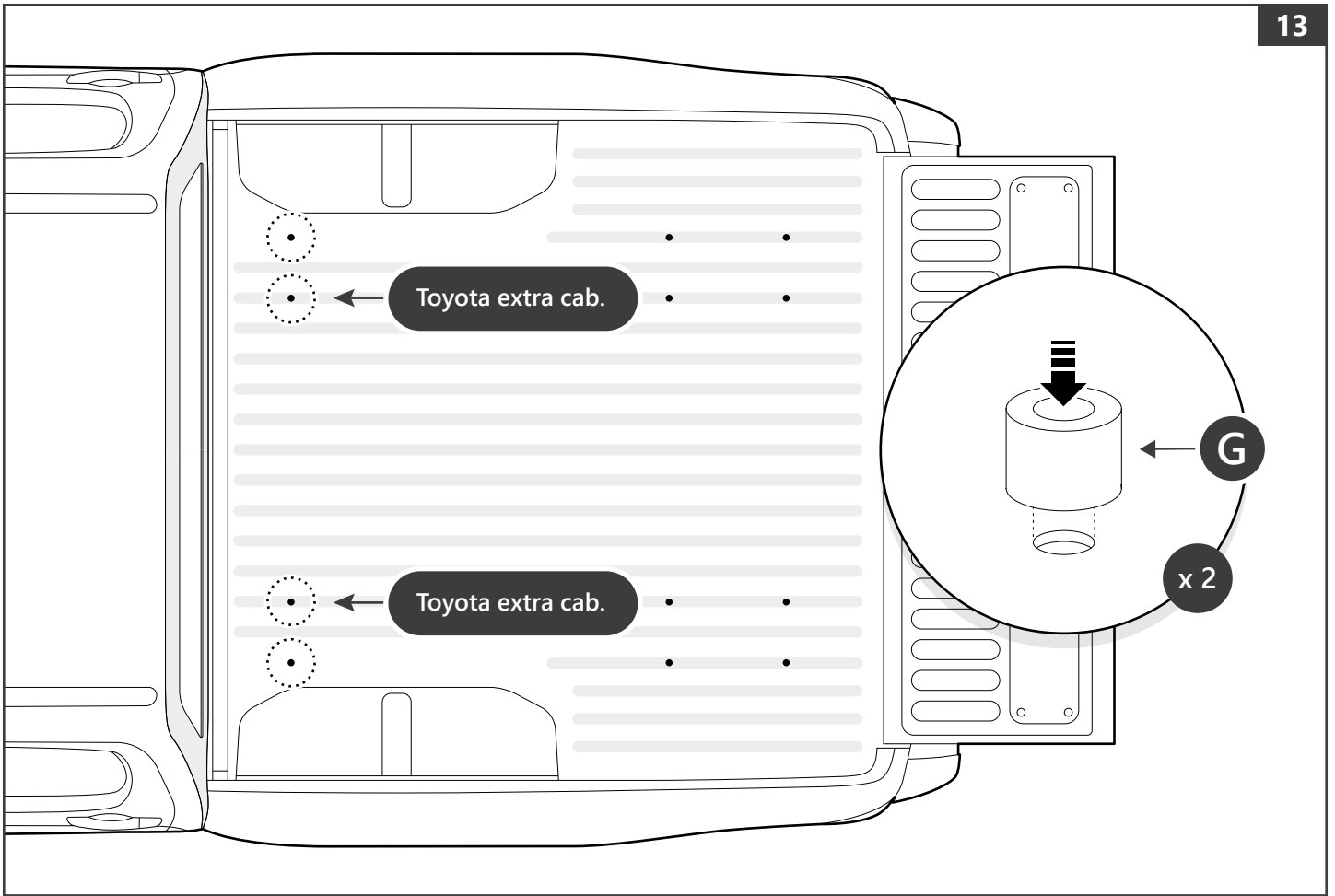


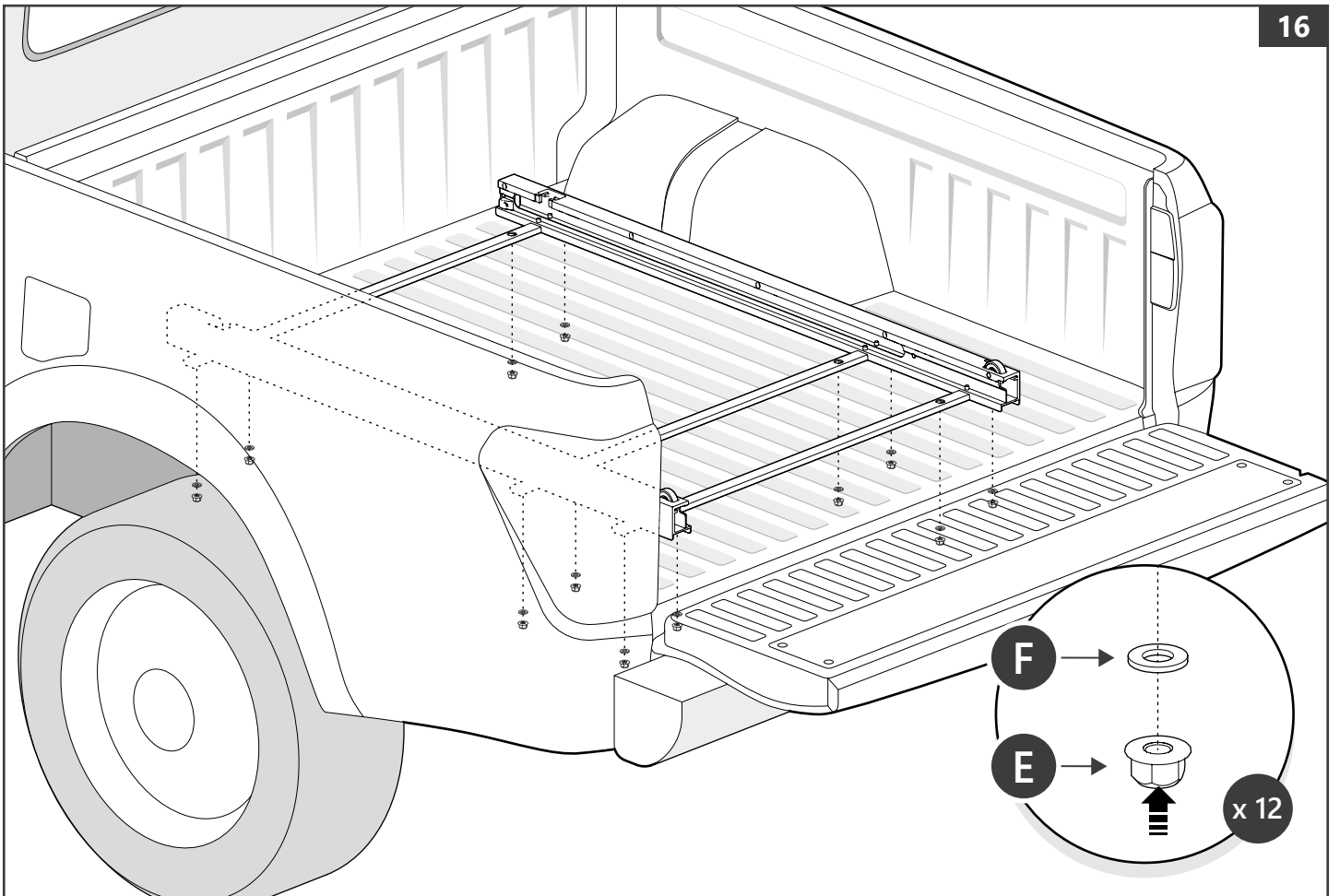
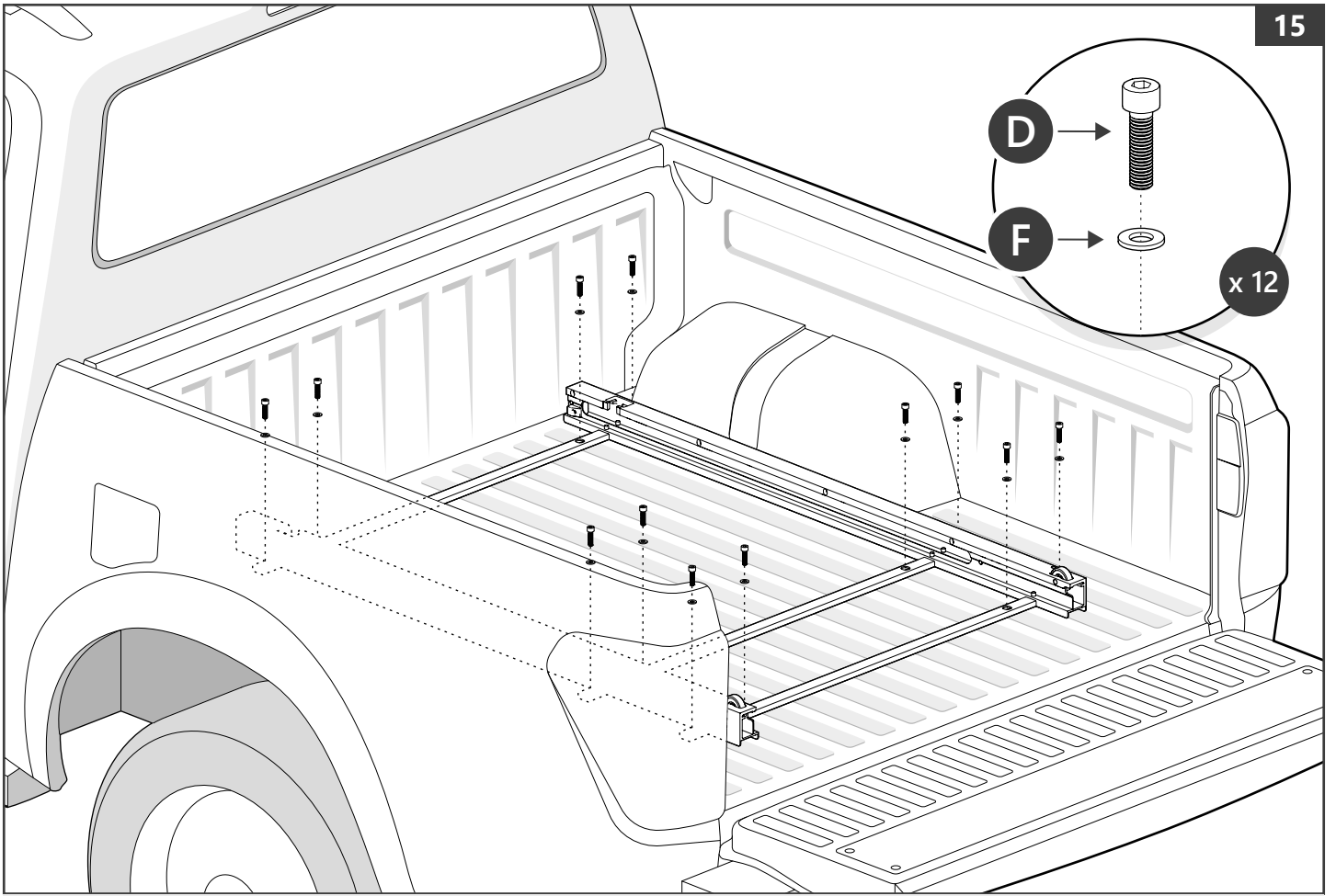


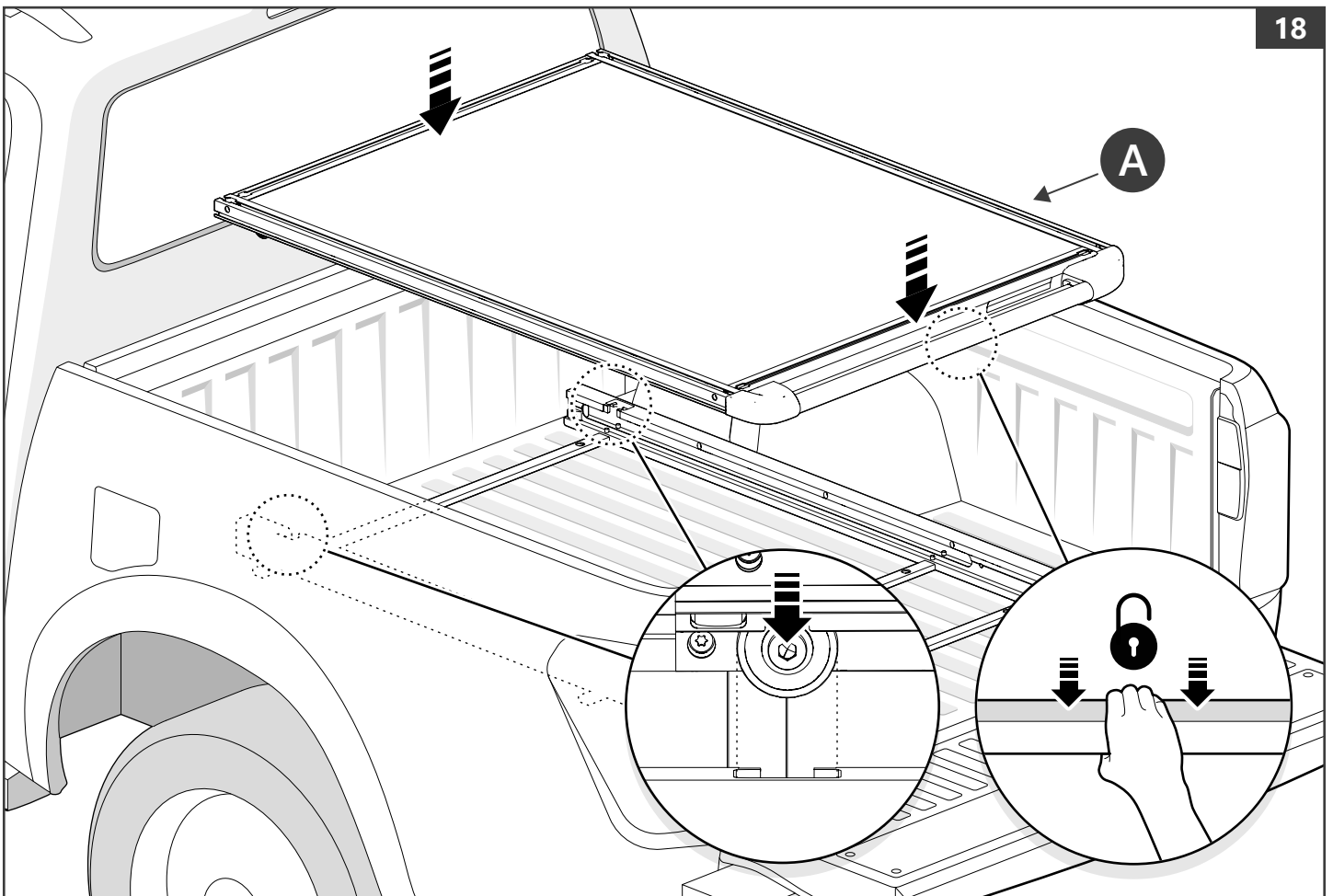
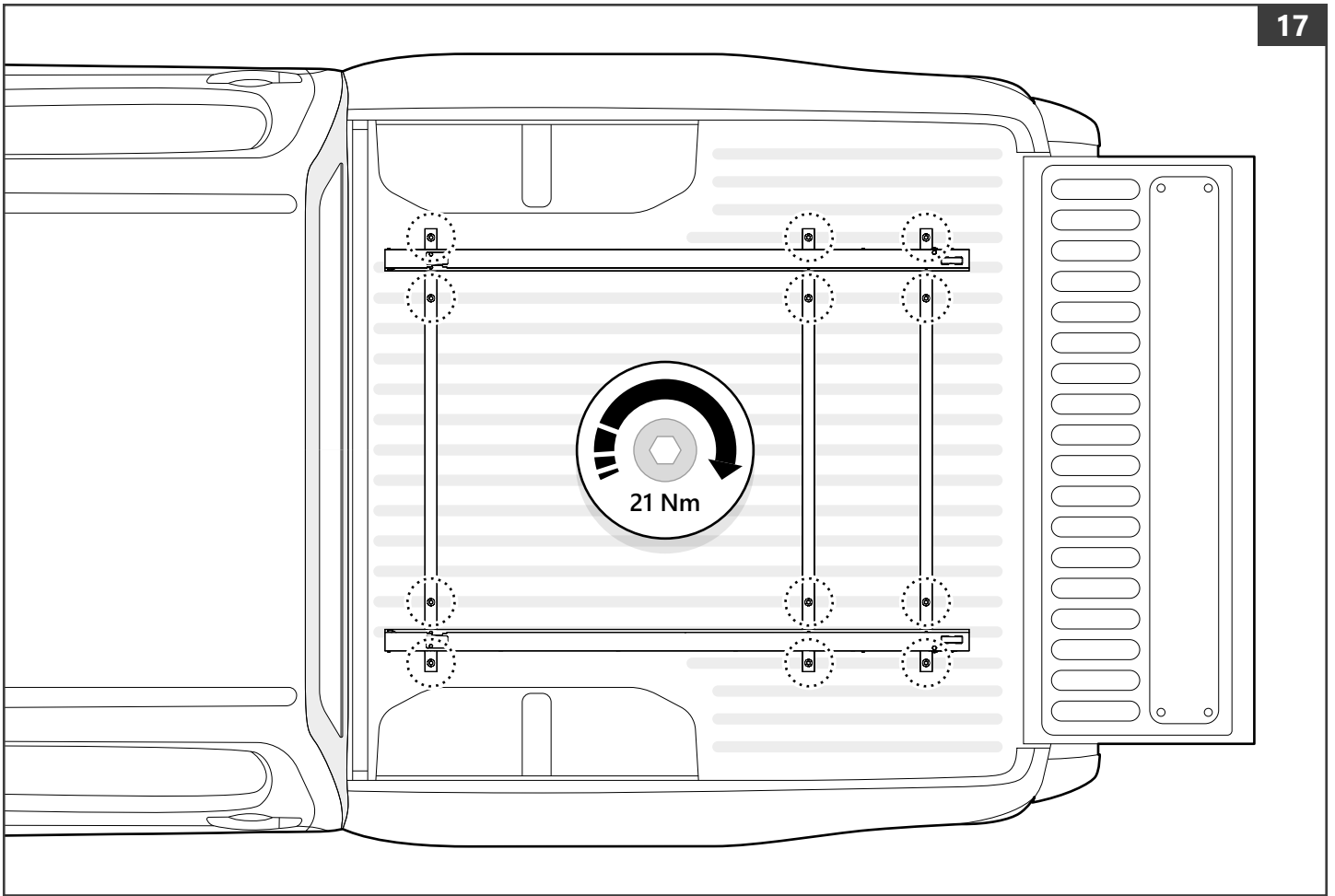


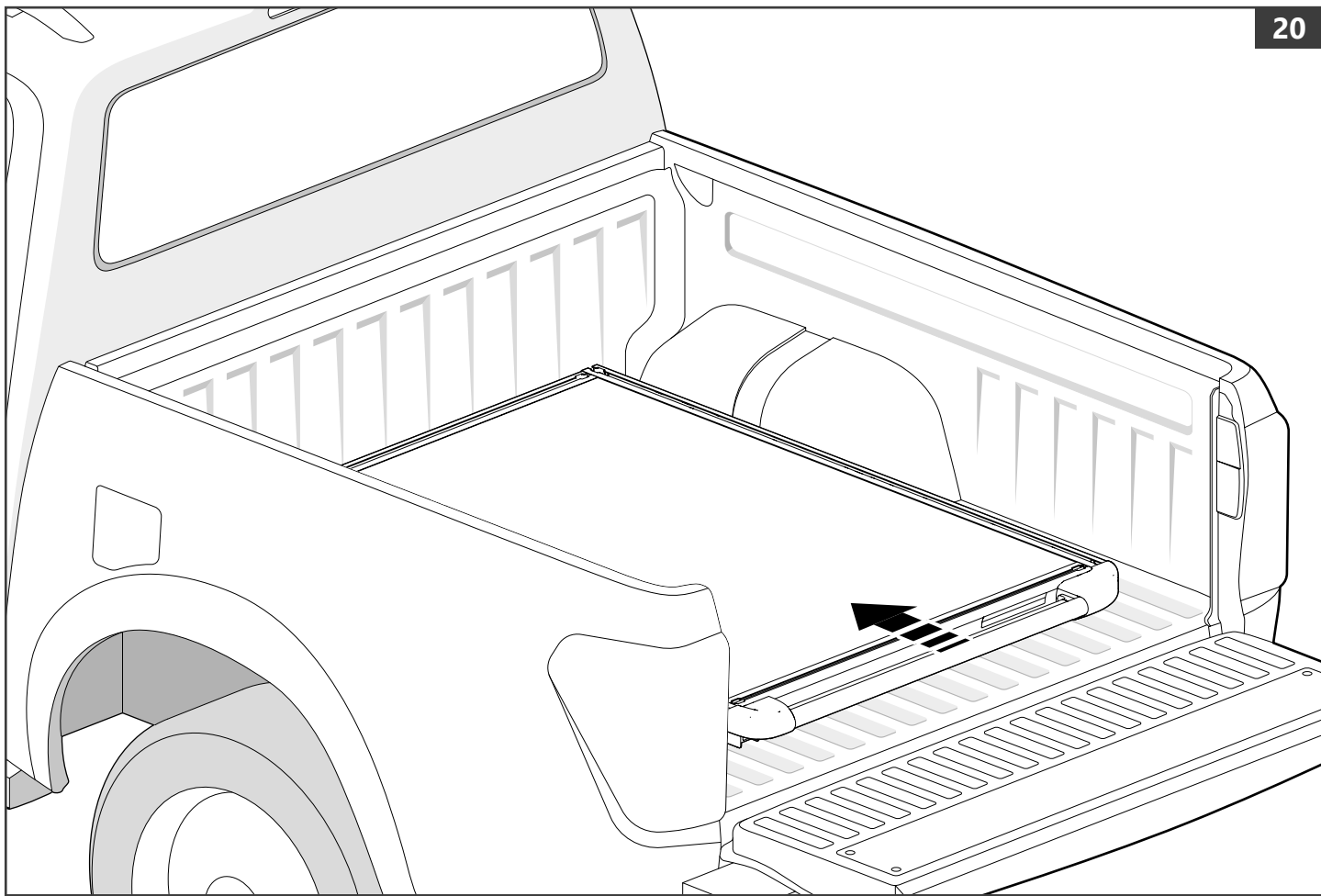
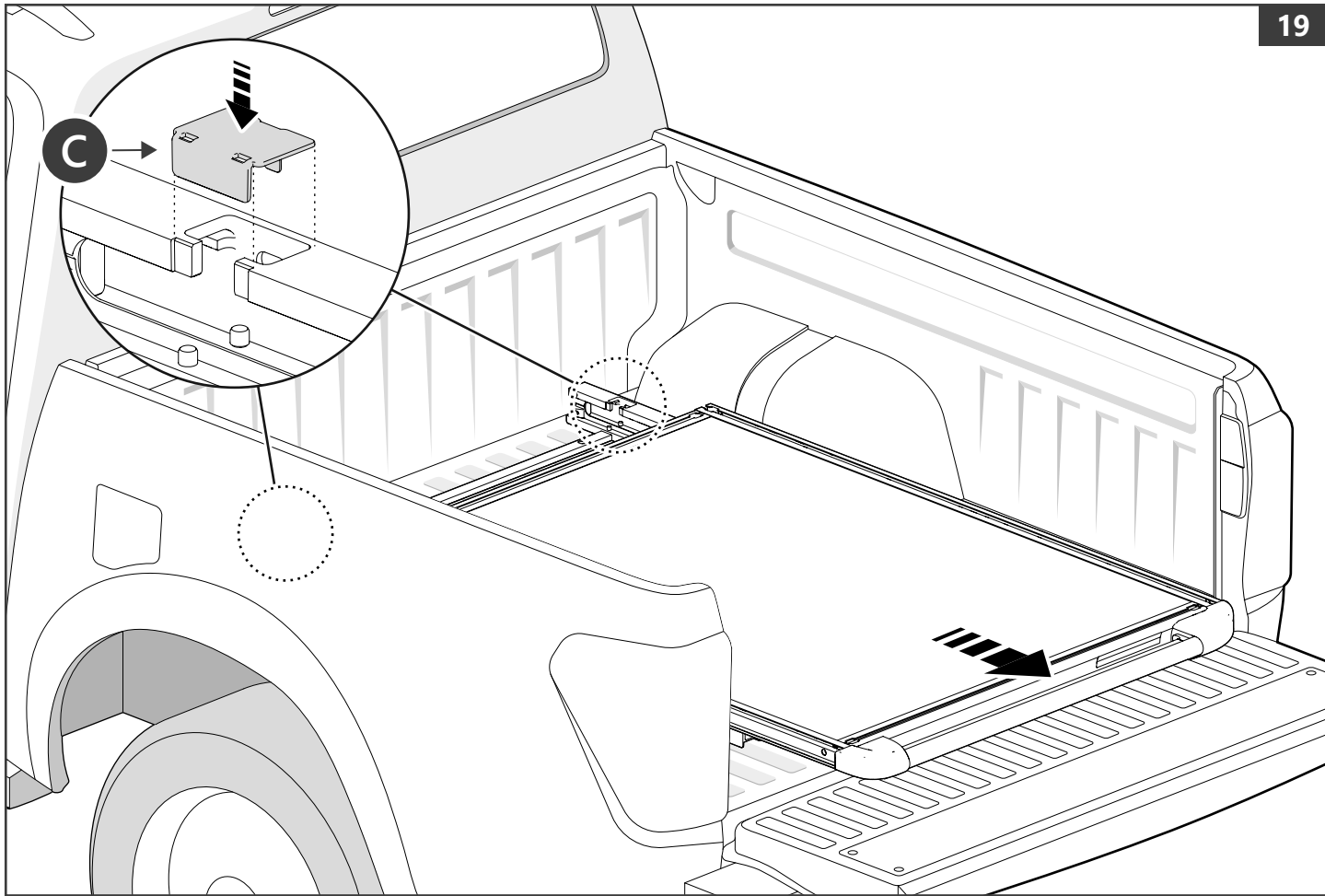














Customer Service +45 4810 2950 (08:00 - 16:00 CET)
Fax +45 4810 2960
Support info@mountaintop.dk
Website www.mountaintop.dk
Address Pedersholmparken 10, 3600 Frederikssund, Denmark

PART NUMBER(S)	MODEL / YEAR	CAB TYPE(S)	INSTALLATION TIME	WEIGHT
MTS NI90	Nissan / 2015 →	Double	1 hour(s)	33 Kg
MTS TO90 / MTS TO91	Toyota / 2015 →	Double / Extra	1 hour(s)	33 / 37 Kg
MTS MB90	Mercedes / 2017 →	Double	1 hour(s)	33 Kg
MTS RE90	Renault / 2017 →	Double	1 hour(s)	33 Kg

GB Installation manual	S Monteringsanvisning	D Einbauanleitung
SF Asennusohje	E Instrucciones de montaje	CZ Návod k instalaci
F Notice de montage	H Szerelési utasítás	I Istruzioni de montaggio
PL Instrukcja montażu	P Instruções de instalação	GR Οδηγίες Εγκατάστασης
NL Installatie-instructies	RUS Инструкция по установке	DK Monteringsvejledning
TR Montaj Talimatı	N Monteringsveiledning	RO Instructiuni de instalare