

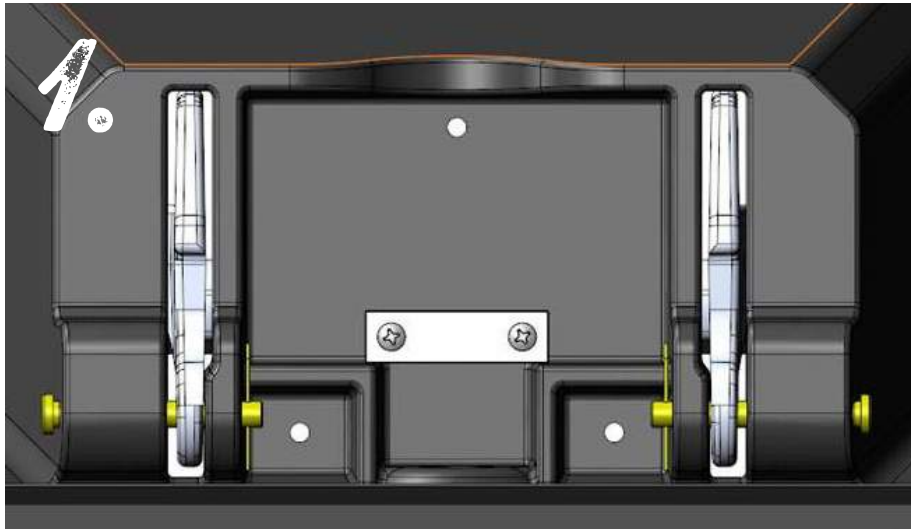


# HOW TO: DRAWER LOCKS

DECKED LOCKS ARE DESIGNED AS AN ADDITIONAL LINE OF DEFENSE IN KEEPING YOUR GEAR SECURE. WE HIGHLY RECOMMEND SAVING YOURSELF A BRAIN CRAMP AND FOLLOW THESE INSTRUCTIONS.

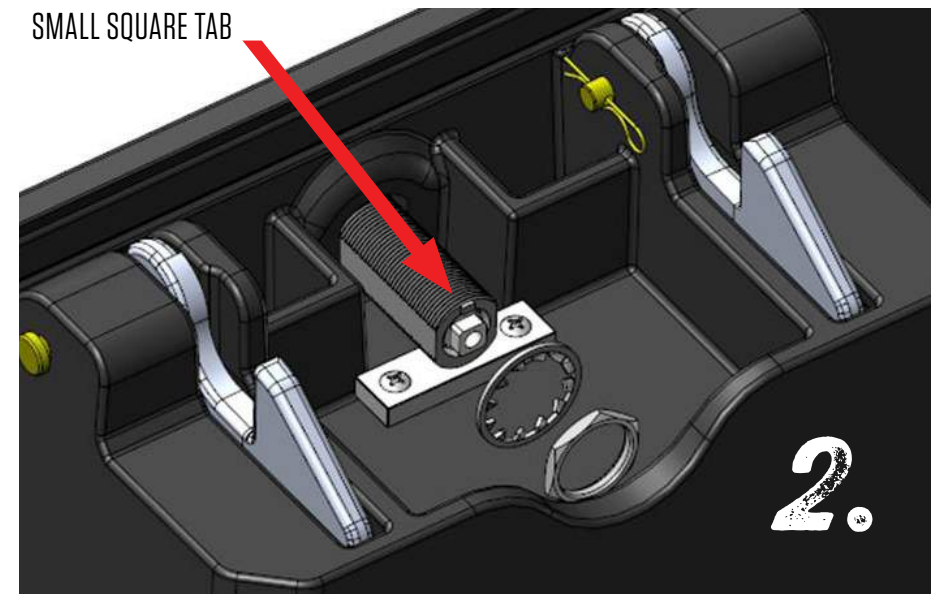
## TOOLS REQUIRED :

- Phillips Screwdriver
- Needle Nose Pliers



**STEP 1:** ATTACH LOCK BRACE TO DRAWER WITH SCREWS PROVIDED. ALIGN BRACE AGAINST LOCK CAVITY WALLS AS SHOWN. **DO NOT** OVERTIGHTEN SCREWS!

**STEP 2:** INSERT THREADED LOCK BARREL INTO DRAWER HOLE. ALIGN BARREL TO MATCH SHAPE OF HOLE WITH SQUARED-OFF THREADLESS SIDES VERTICALLY ALIGNED. SMALL SQUARE TAB ON LOCK BARREL SHOULD BE AT 12 O'CLOCK. SLIDE LOCK WASHER ONTO BARREL AND THEN THREAD NUT ONTO BARREL. TIGHTENING FIRMLY WITH PAIR OF PLIERS.

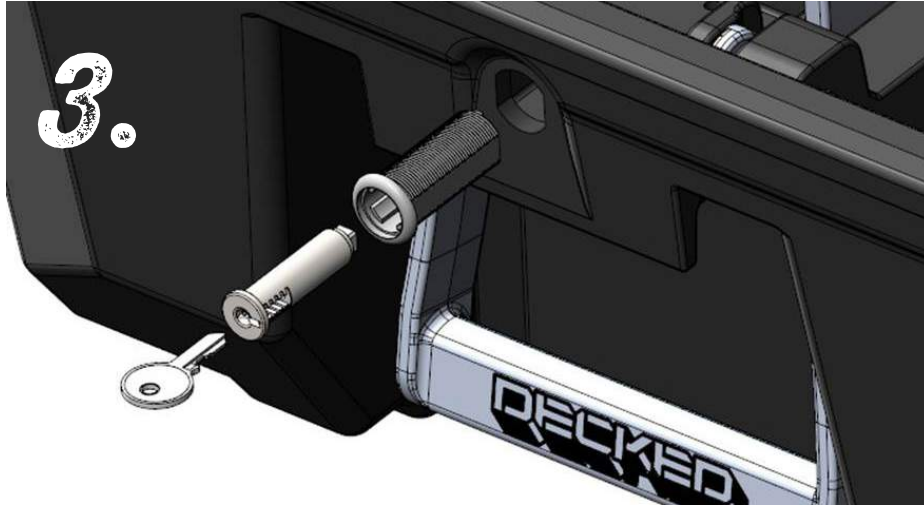


THESE MIGHT BE USEFUL: Watch installation videos at [www.decked.com/video](http://www.decked.com/video)

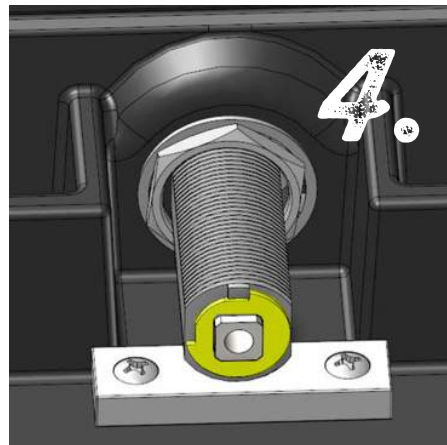


# HOW TO: DRAWER LOCKS

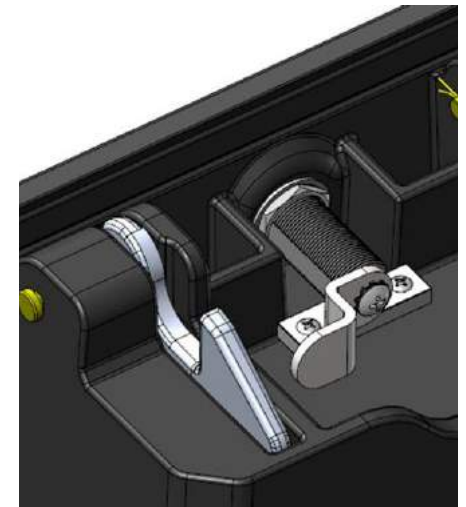
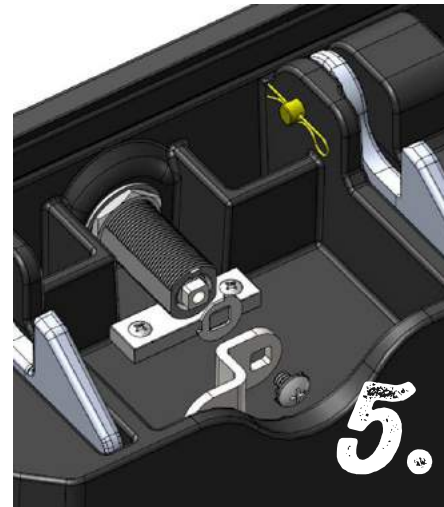
**STEP 3:** SLIDE KEY INTO LOCK CORE AND INSERT LOCK CORE INTO THREADED LOCK BARREL WITH TEETH OF KEY FACING AS SHOWN IN DIAGRAM 3.



**STEP 4:** WITH LOCK CORE INSERTED AND SQUARE TAB ON LOCK BARREL AT 12 O'CLOCK, SLIDE GOOFY SHAPED WASHER ONTO LOCK CORE SUCH THAT THE STOPS ON THE WASHER ARE AT 9 O'CLOCK AND 12 O'CLOCK. THE 12 O'CLOCK STOP ON THE WASHER SHOULD BE POSITIONED AS SHOWN IN DIAGRAM 4.



**STEP 5:** SLIDE LOCK ARM ONTO LOCK CORE WITH ARM POINTING AS SHOWN IN DIAGRAM 5. THREAD SCREW WITH LOCK WASHER INTO LOCK CORE APPLYING PRESSURE TO THE KEY TO KEEP GOOFY-SHAPED WASHER SEATED AND LOCK ARM IN PLACE. TIGHTEN. TURNING KEY 90 DEGREES COUNTER CLOCKWISE SHOULD RAISE LOCK ARM INTO VERTICAL LOCKED POSITION.



**CONGRATULATIONS!**  
**MENSA INTERNATIONAL HAS AN OPENING FOR YOU!**

**THESE MIGHT BE USEFUL:** Watch installation videos at [www.decked.com/video](http://www.decked.com/video)