

Before Installation

Please read these instructions carefully. If you have any questions regarding the fitting of this item **call: 0845 6444704** or **email: fitting@autostylinguk.com**

Precautions

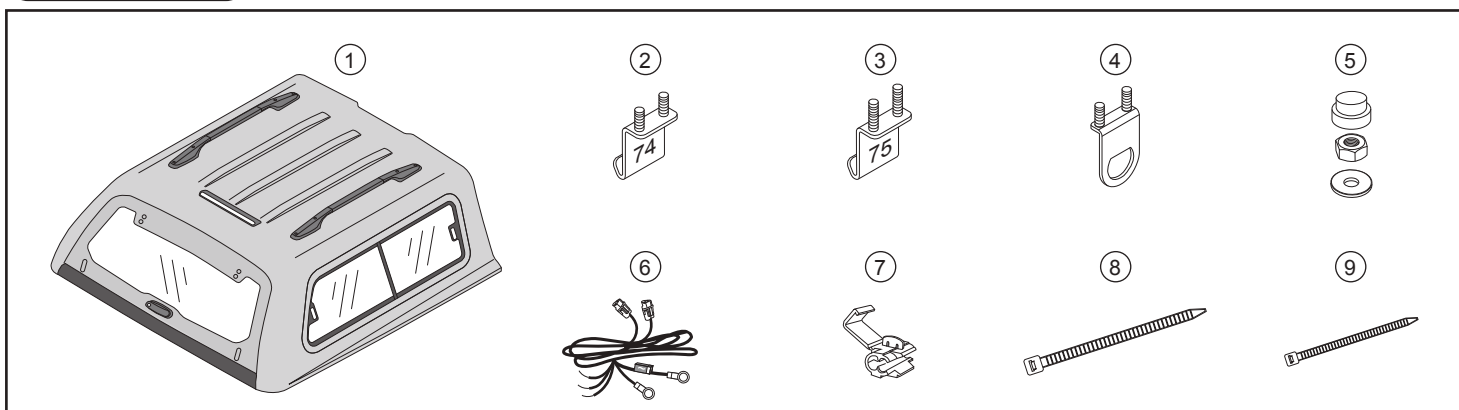
1. Ensure working area is clear from obstructions.
2. Any loose items of clothing or jewelry should be removed.

Product name : MAXTOP III (CENTRAL LOCK)

Model name : FORD T6 DBC 2012

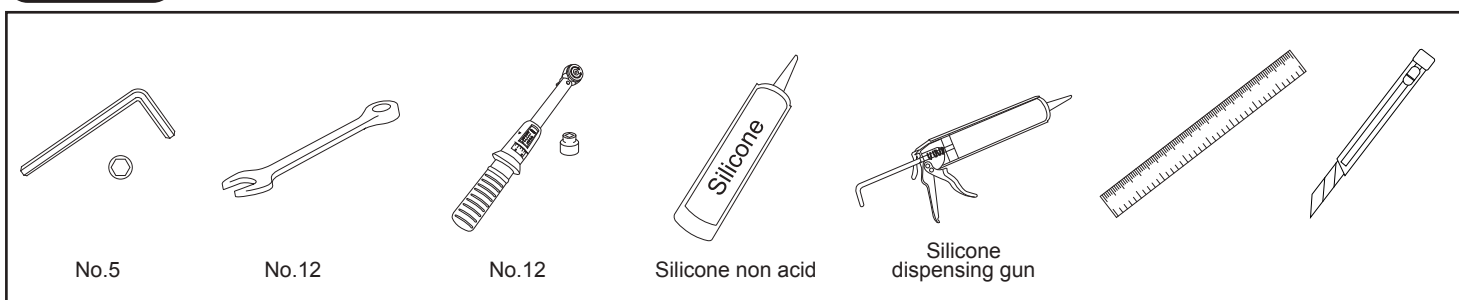
Inst. number : L04-0239

Component parts

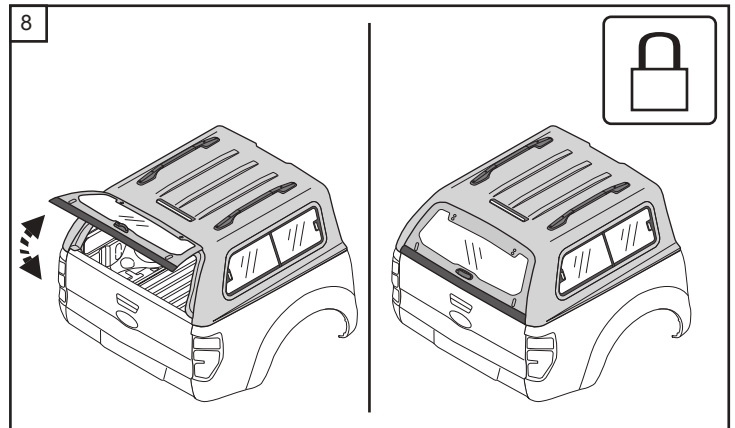
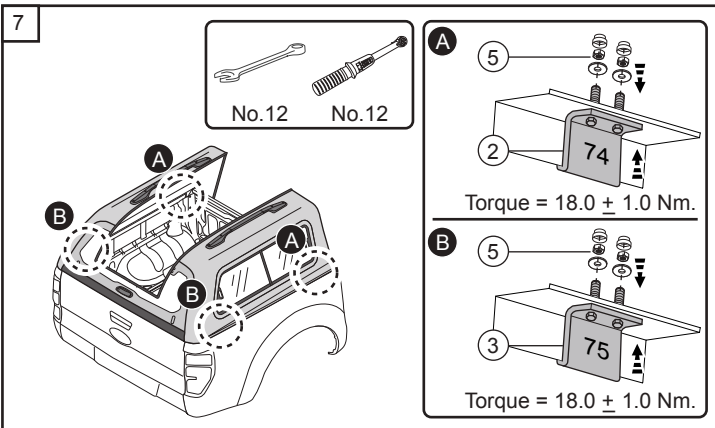
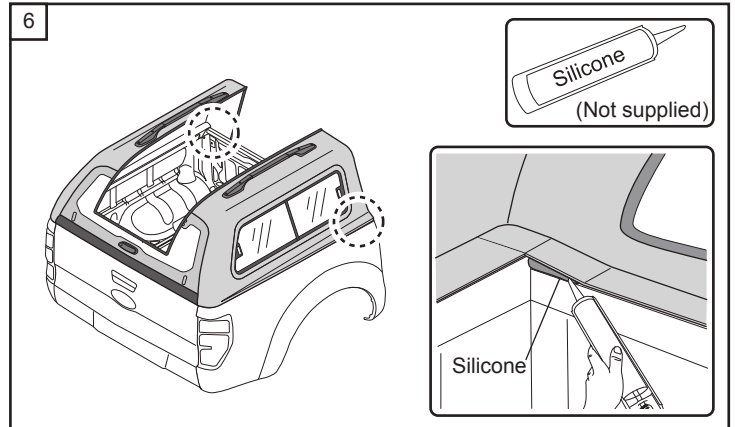
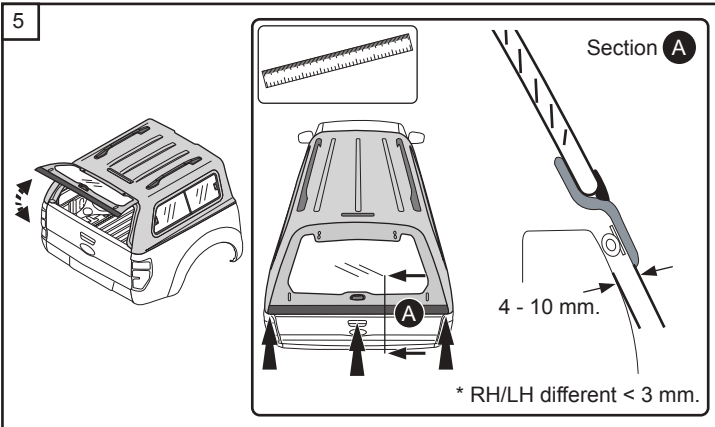
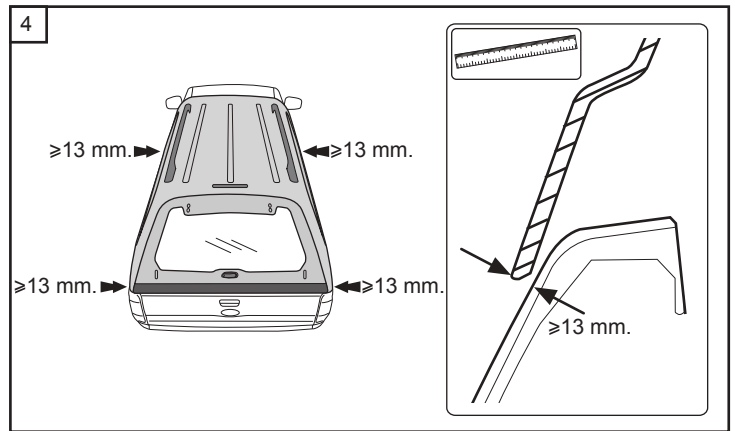
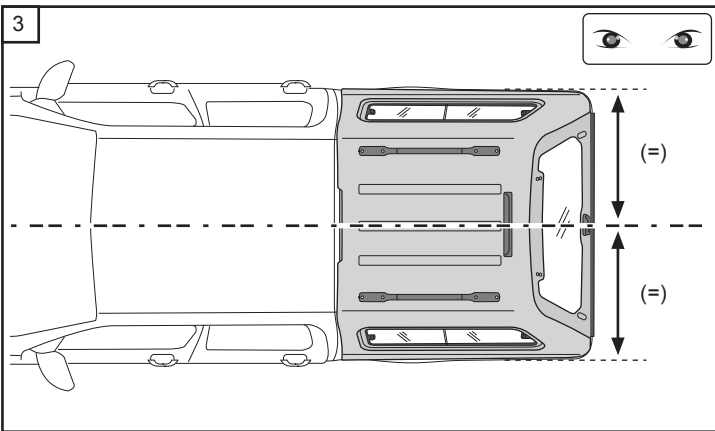
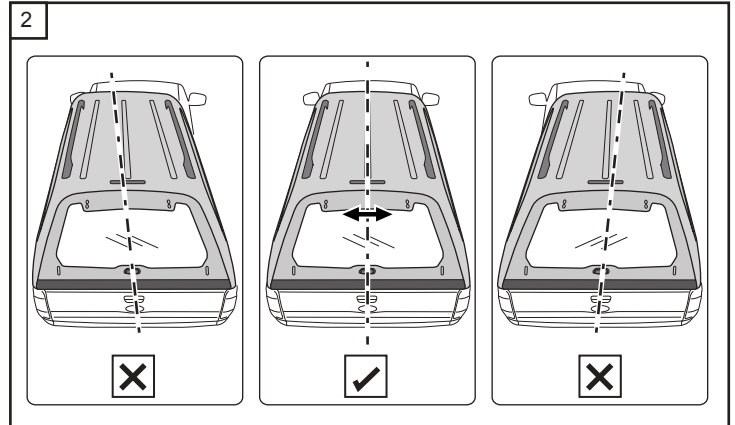
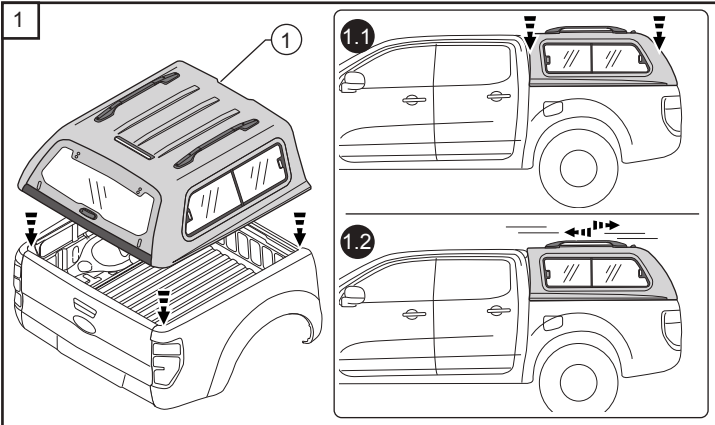


No.	Part Name	Q'ty
1.	Canopy shell set	1 Set
2.	Plate rail lock FB : 74	2 Pcs.
3.	Plate rail lock FB : 75	2 Pcs.
4.	Plate rail lock FL	4 Pcs.
5.	Plastic cap nut, Hex nut M8, Plain washer M8x25	8 Sets
6.	Front harness set	1 Set
7.	Tab	3 Pcs.
8.	Cable tie 24"	3 Pcs.
9.	Cable tie 8"	10 Pcs.

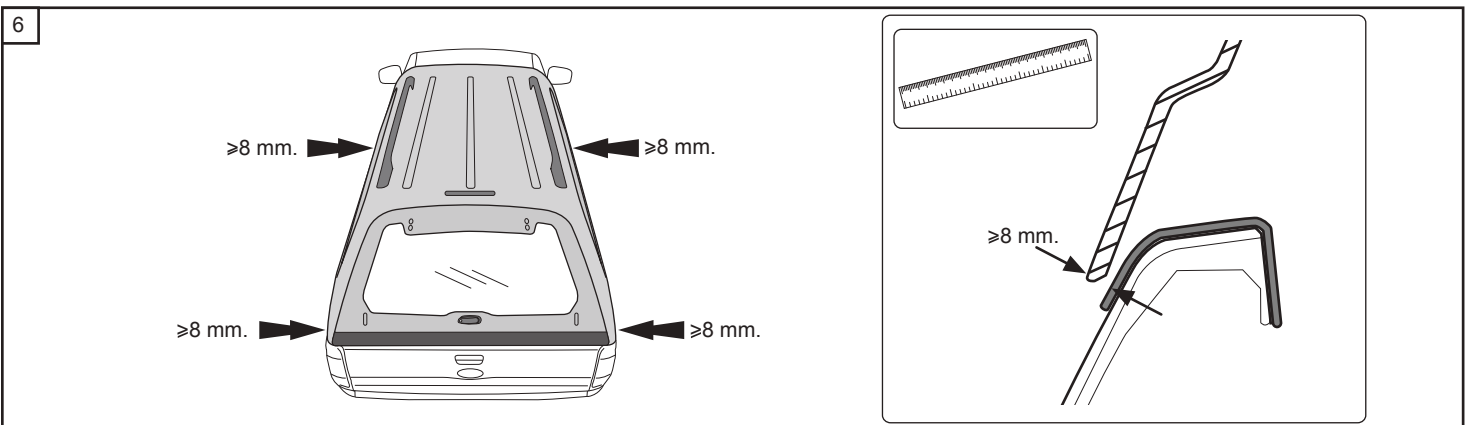
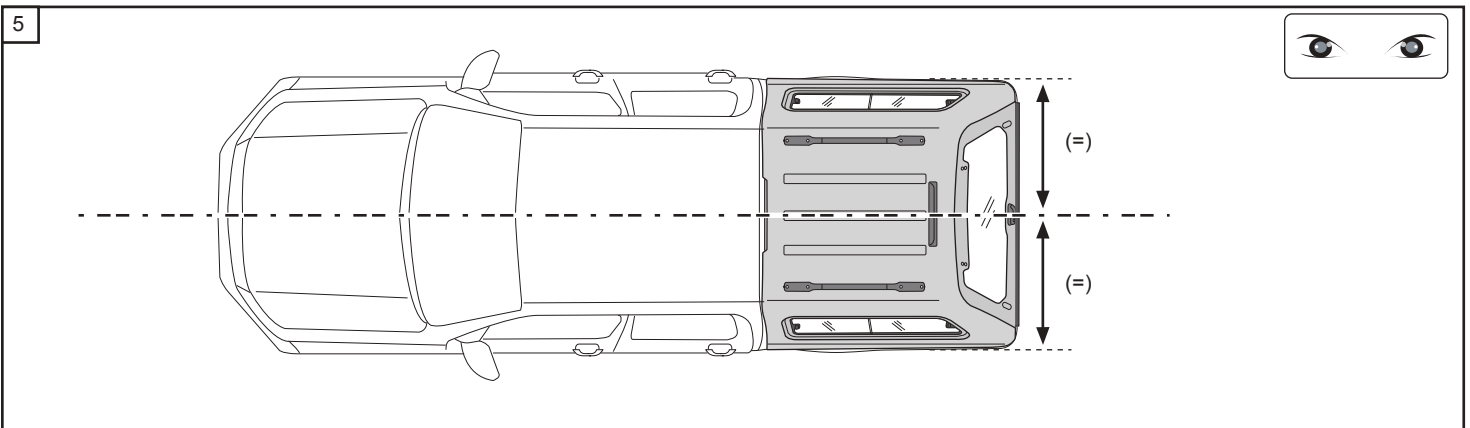
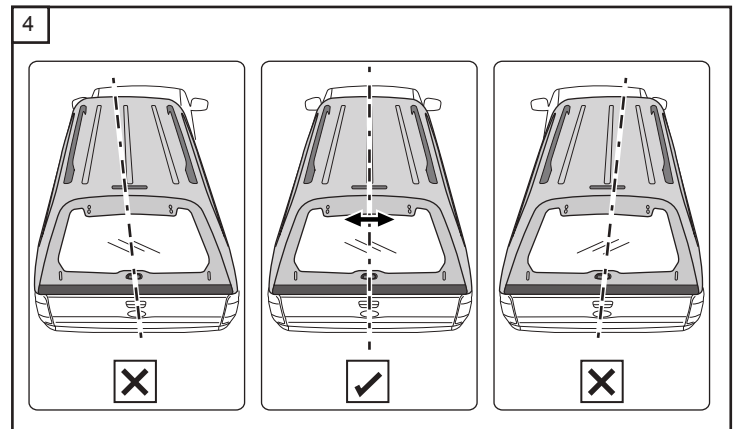
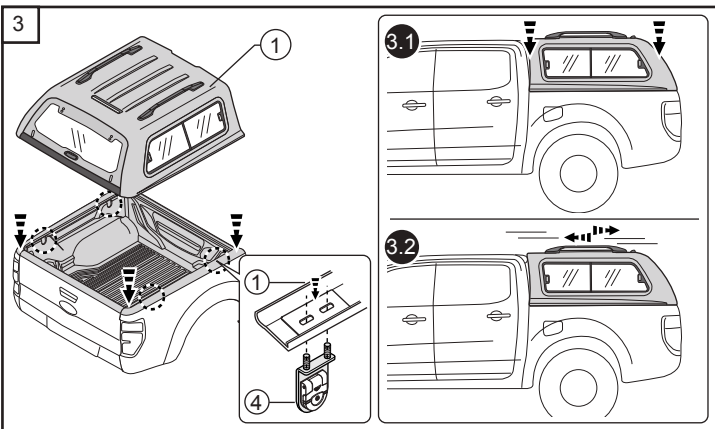
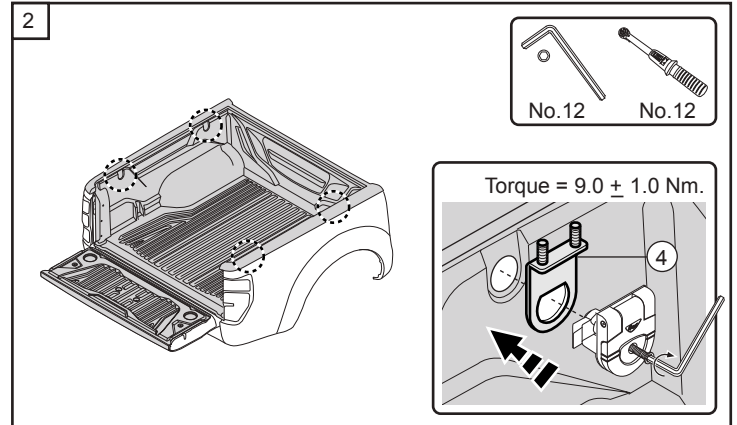
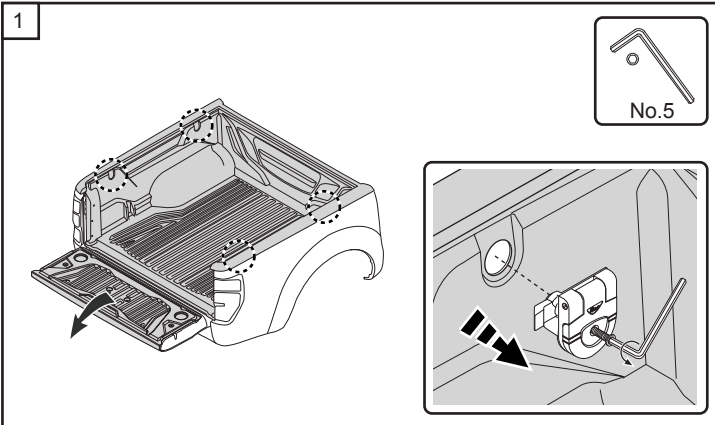
Tools used



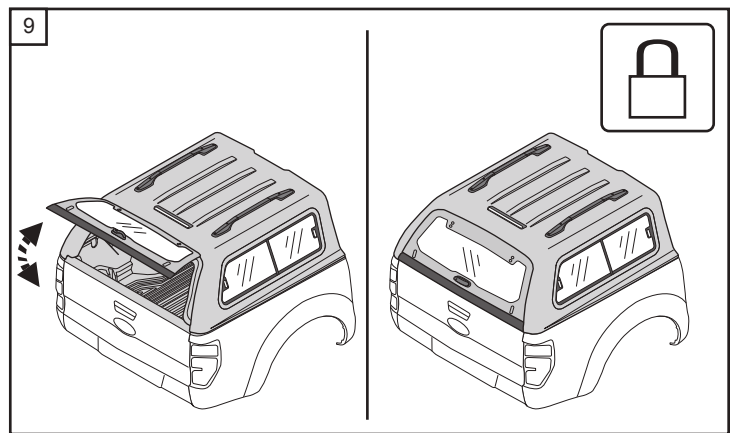
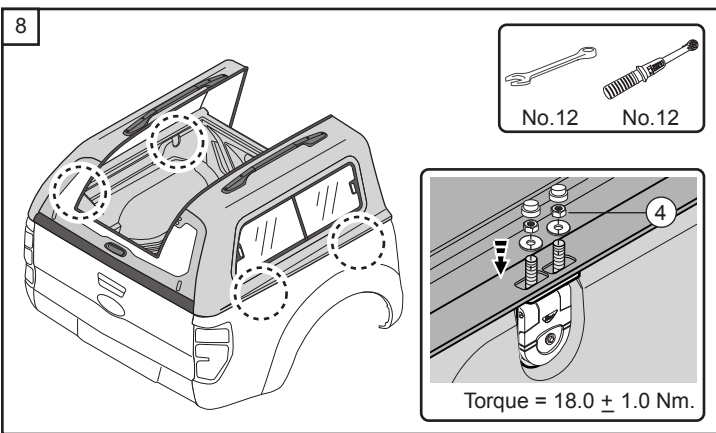
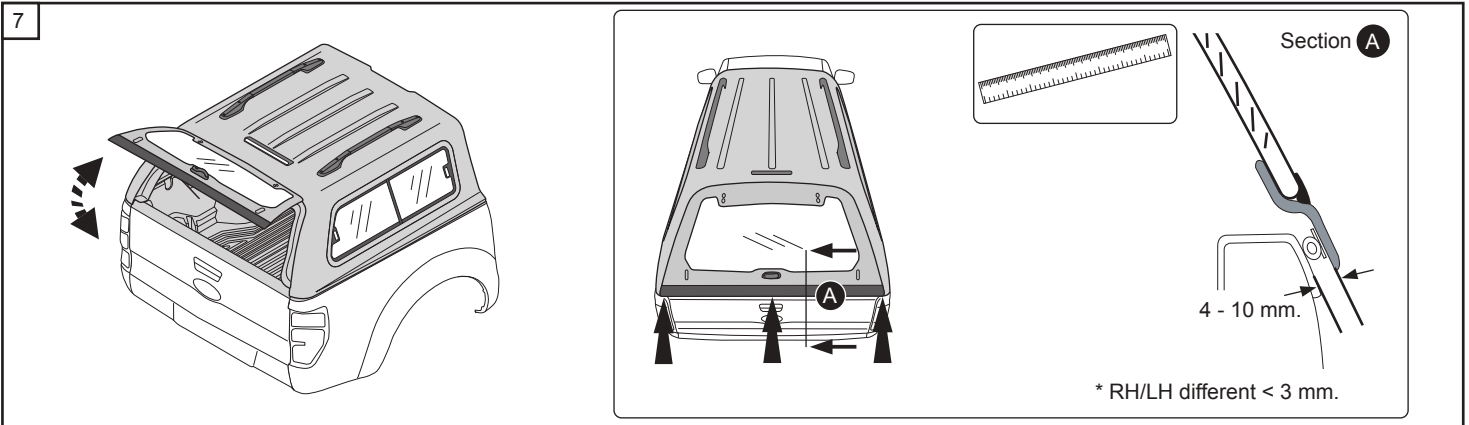
Instruction procedure (without bedliner)



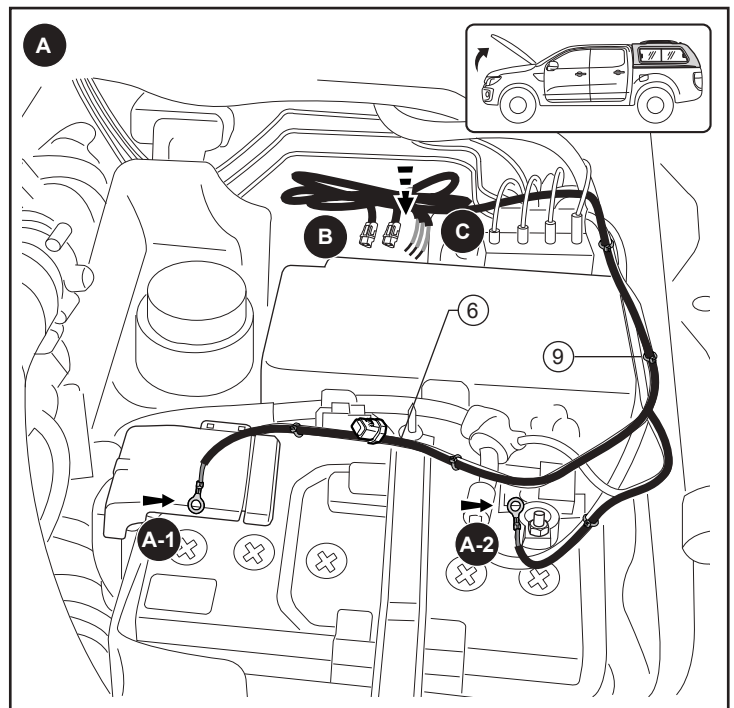
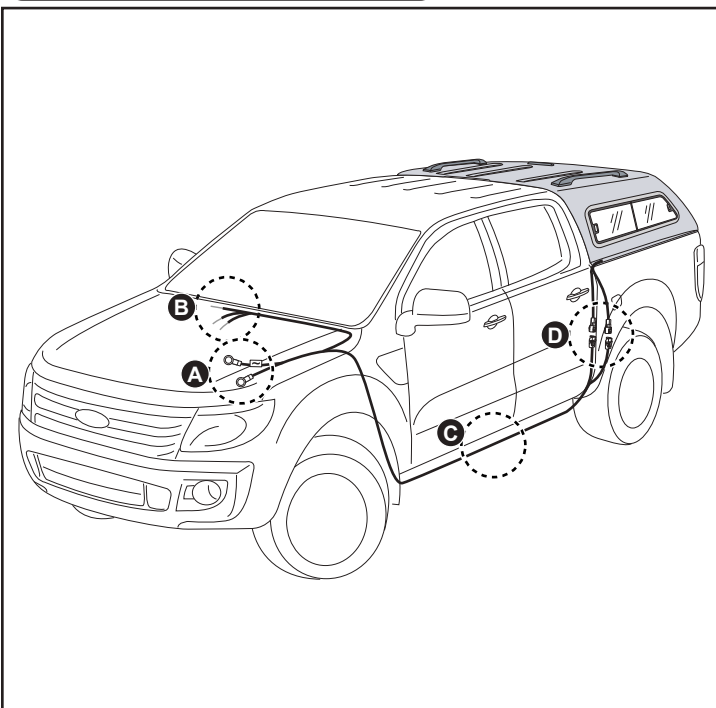
Instruction procedure (with bedliner)



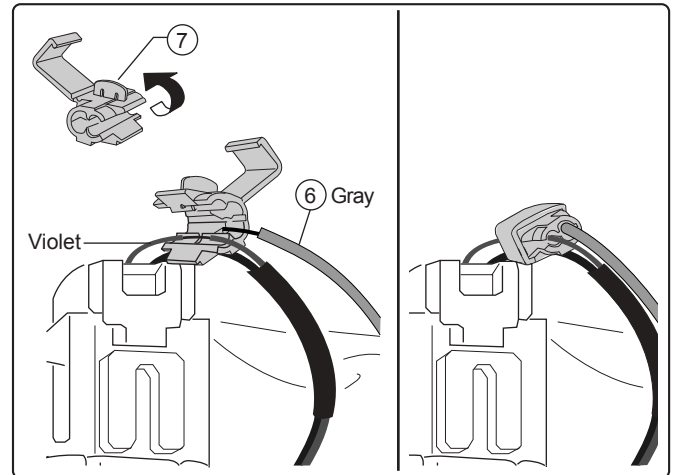
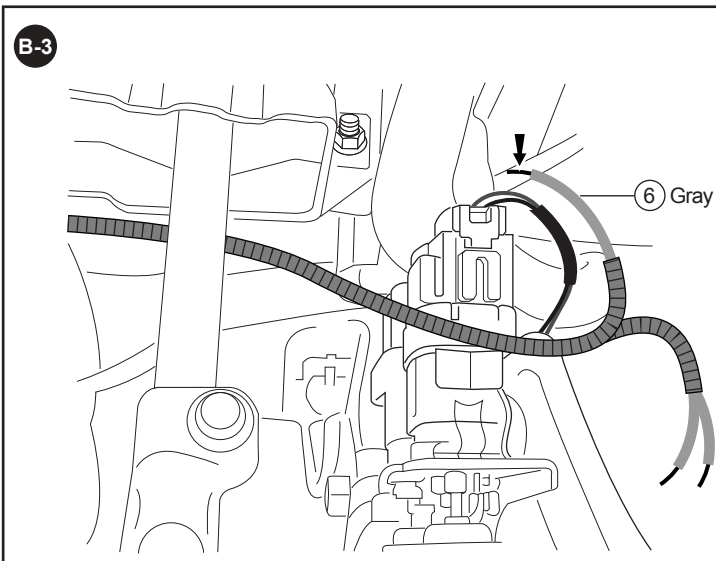
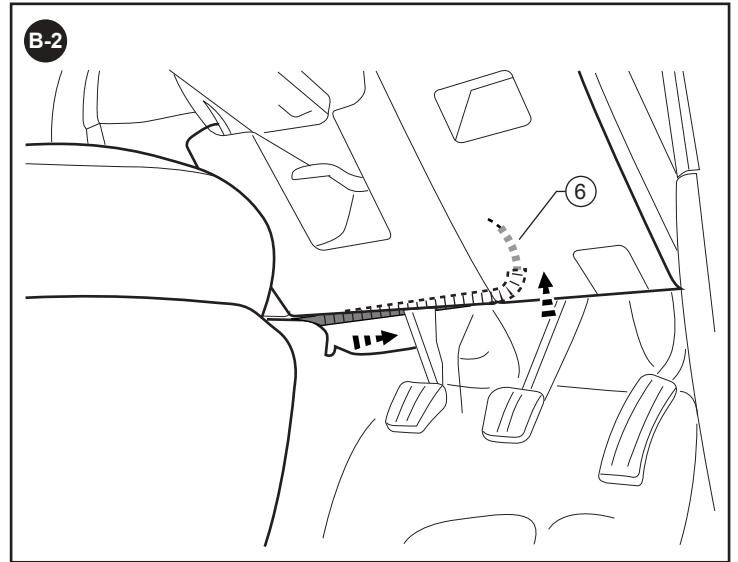
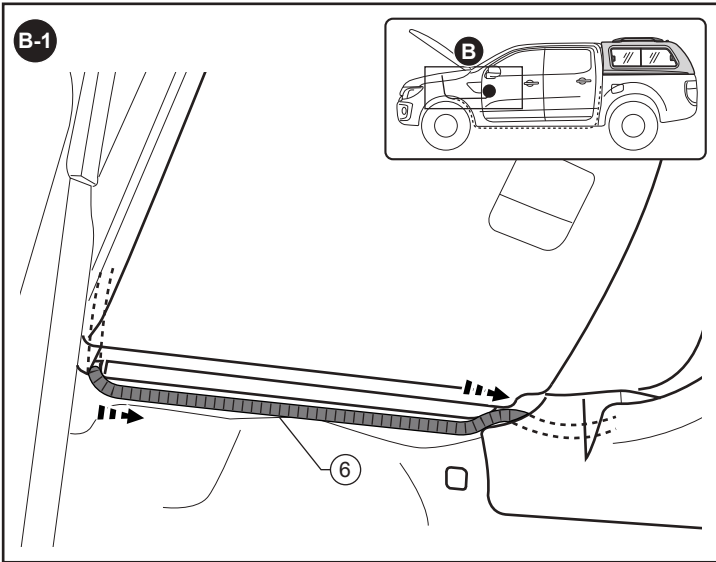
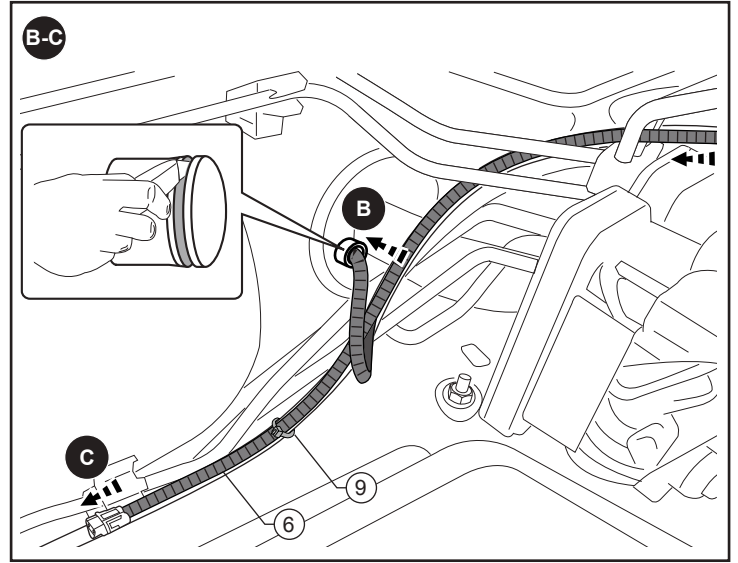
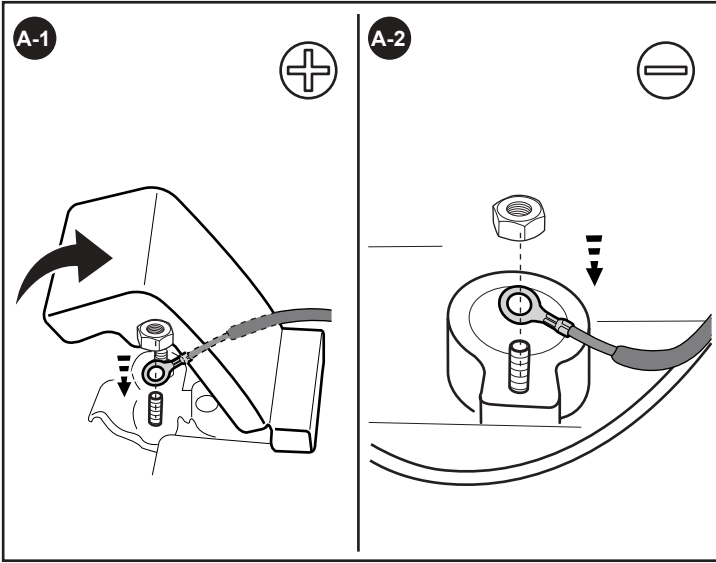
Instruction procedure (with bedliner)



Instruction procedure (Cord set)



Instruction procedure (Cord set)



Instruction procedure (Cord set)

