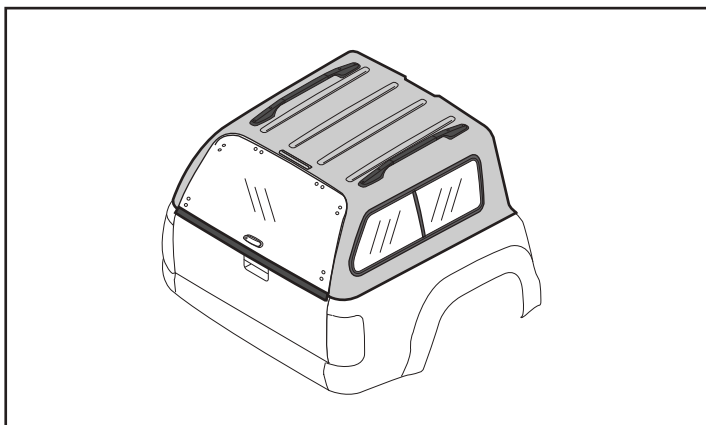


CANOPY INSTALLATION INSTRUCTIONS



Before Installation

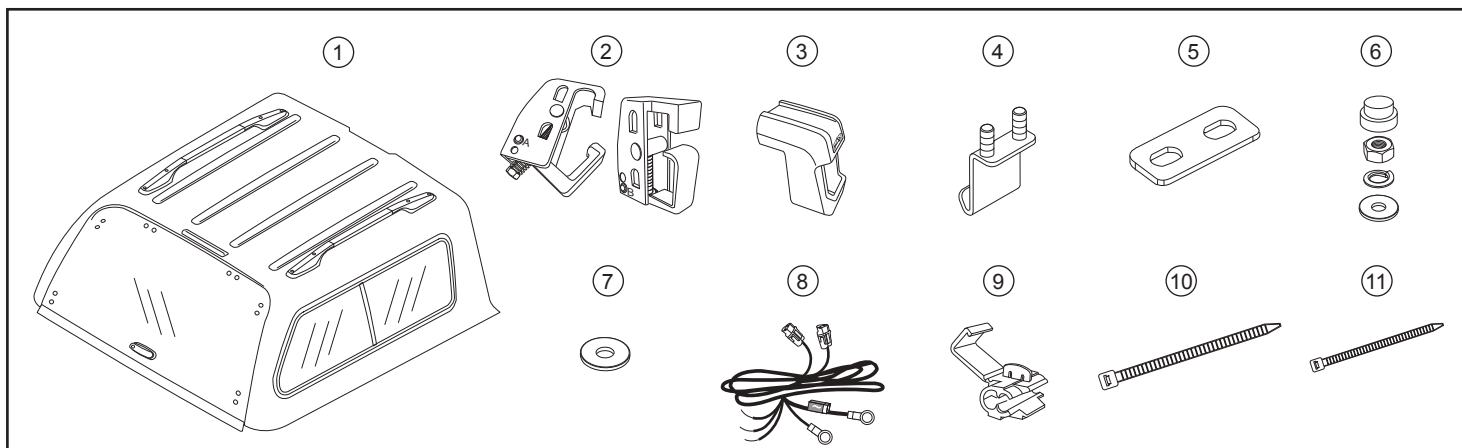
Please read these instructions carefully. If you have any questions regarding the fitting of this item call: **0845 6444704** or email: **fitting@autostylinguk.com**

Precautions

1. Ensure working area is clear from obstructions.
2. Any loose items of clothing or jewelry should be removed.

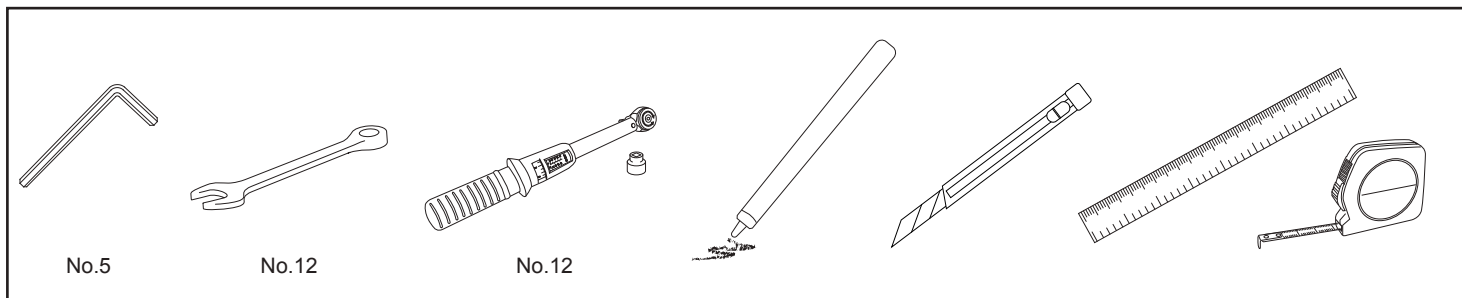
Product name : MAXTOP I.I (CENTRAL LOCK)
 Model name : VOLKSWAGEN AMAROK DC 2010
 Inst. number : L04-0242

Component parts

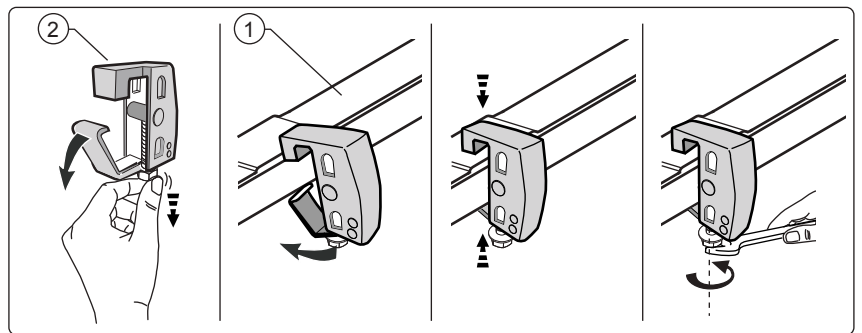
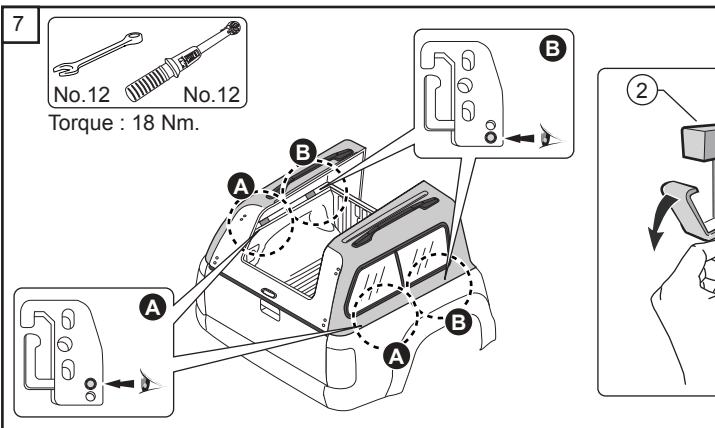
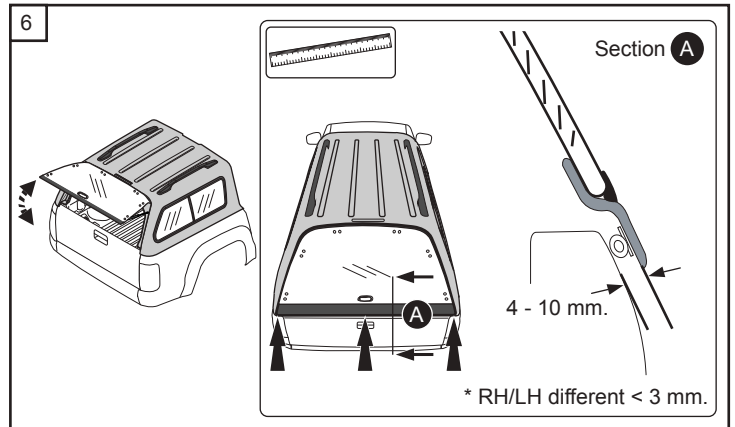
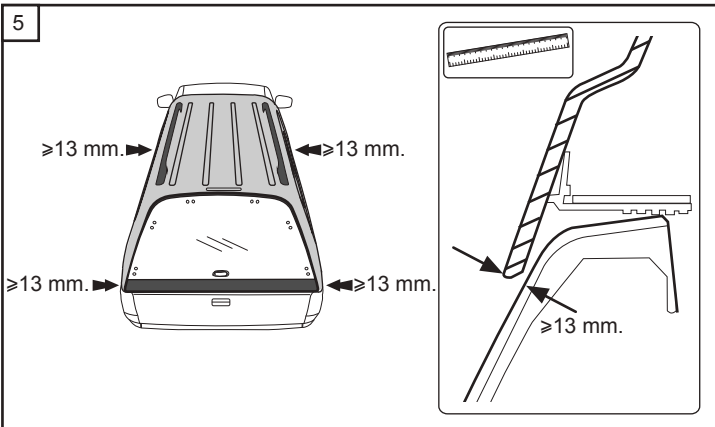
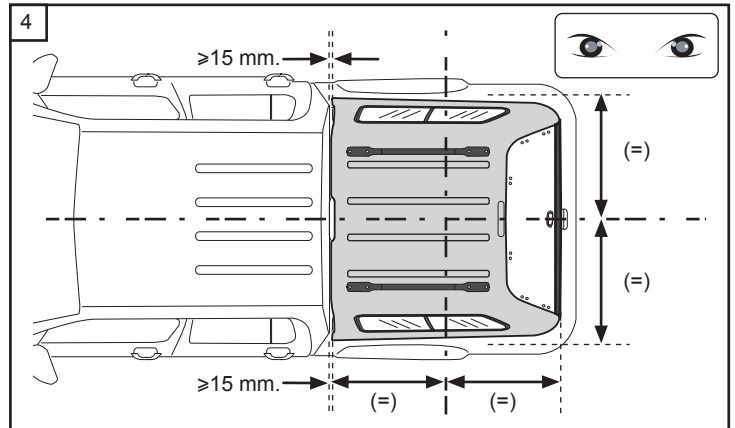
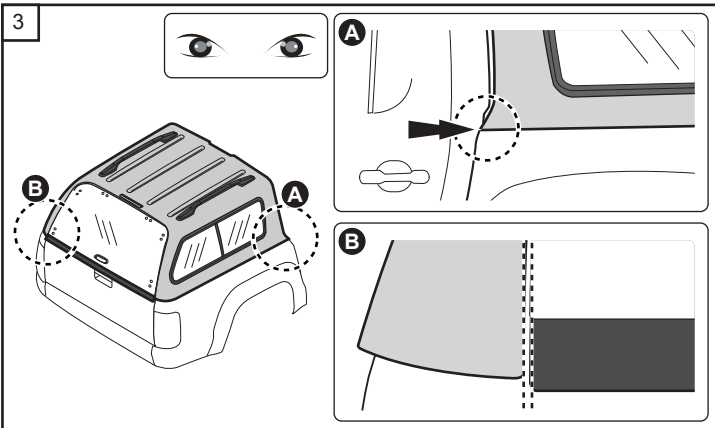
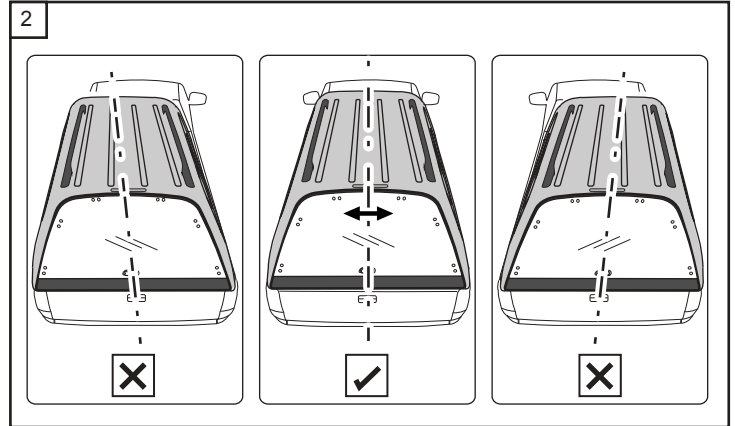
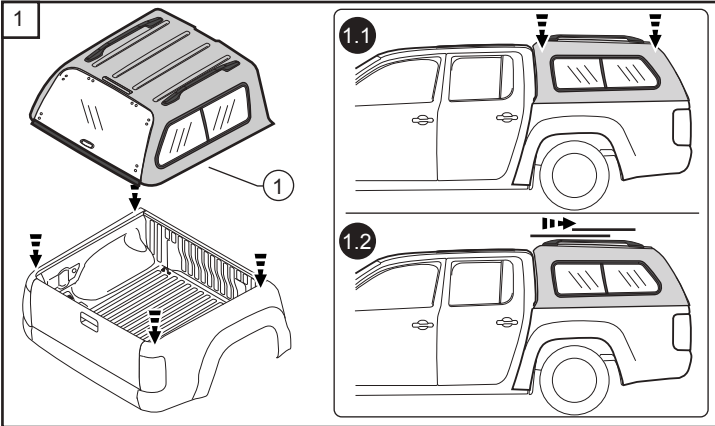


No.	Part Name	Q'ty
1.	Canopy shell set	1 Set
2.	Clamp lock A/B	4 Pcs.
3.	Cover clamp lock	4 Pcs.
4.	Plate rail lock	2 Pcs.
5.	Plate support	2 Pcs.
6.	Plastic cap nut, Hex nut M8, Spring washer M8, Plain washer M8	4 Set
7.	Plain washer M8 (for with bedliner)	8 Pcs.
8.	Cabin cord set	1 Set
9.	Tab	3 Pcs.
10.	Cable tie 24"	6 Pcs.
11.	Cable tie 8"	5 Pcs.

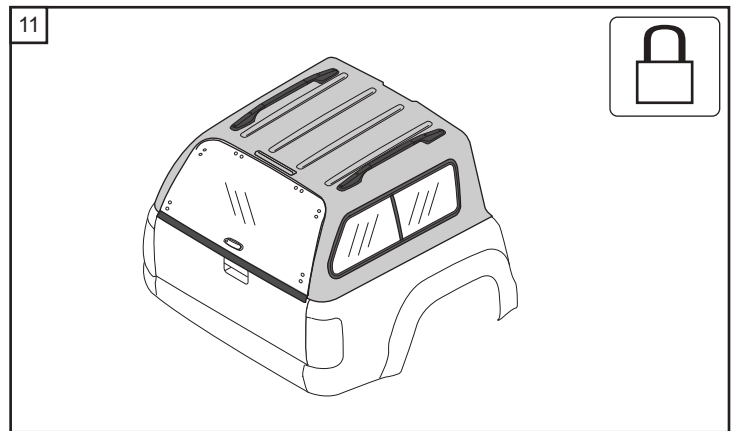
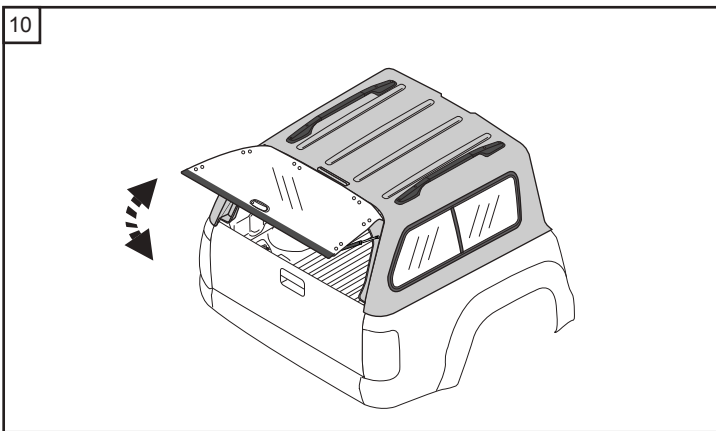
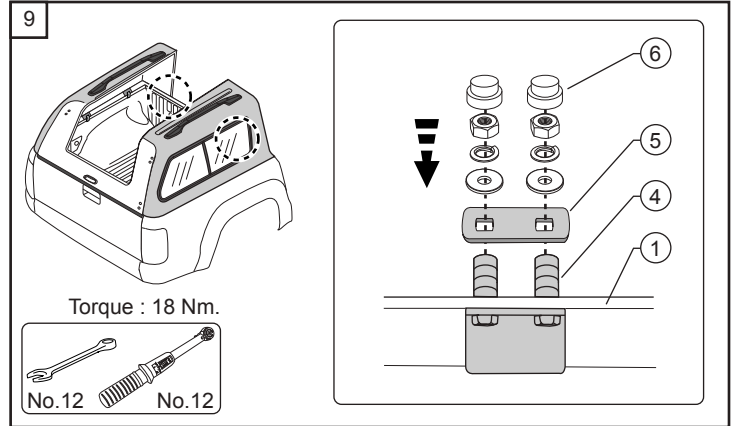
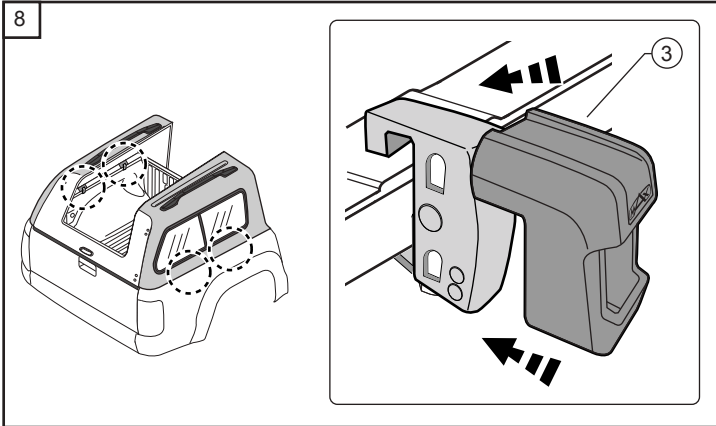
Tools used



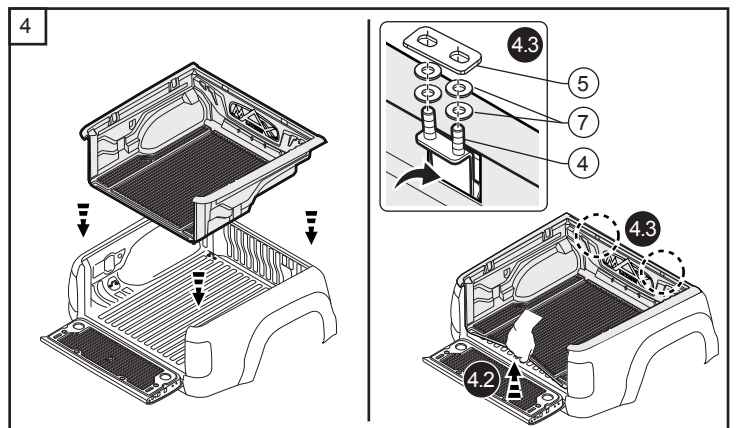
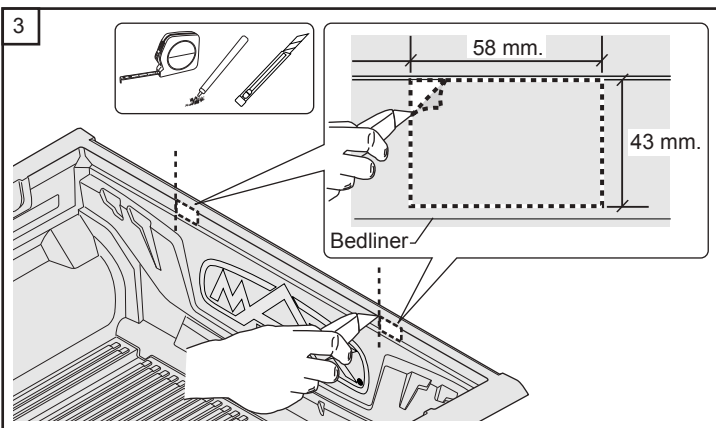
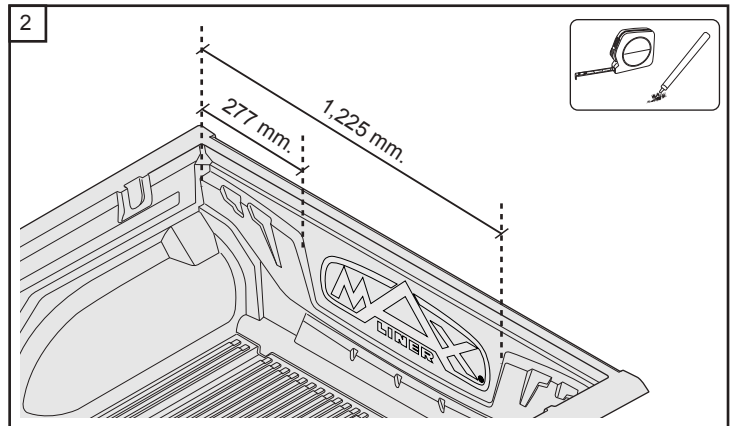
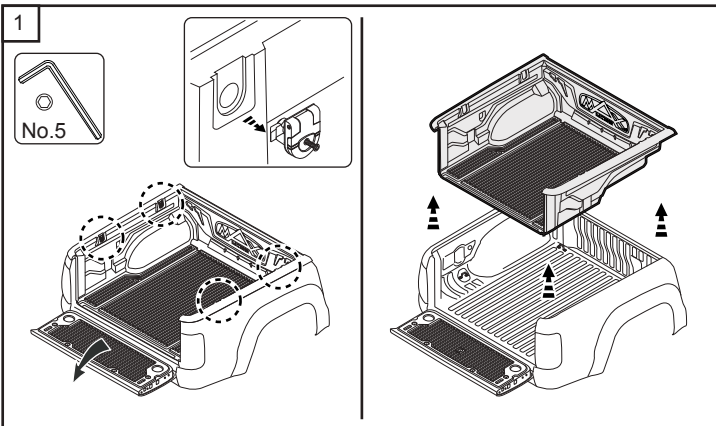
Instruction procedure (without bedliner)



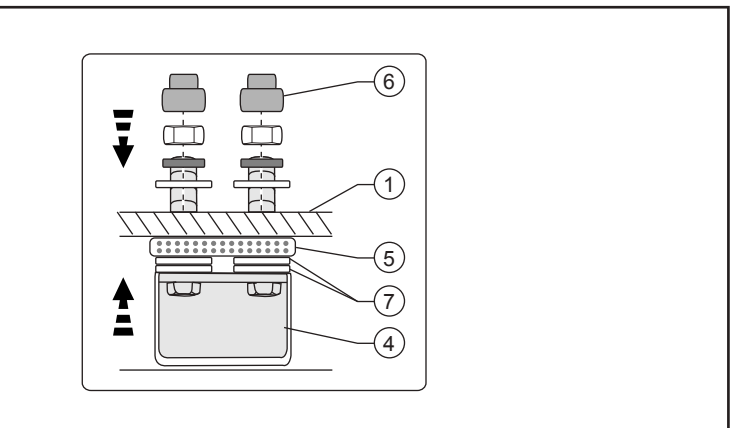
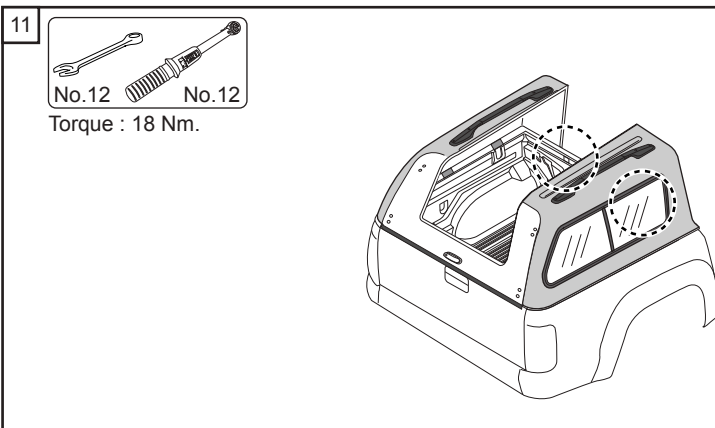
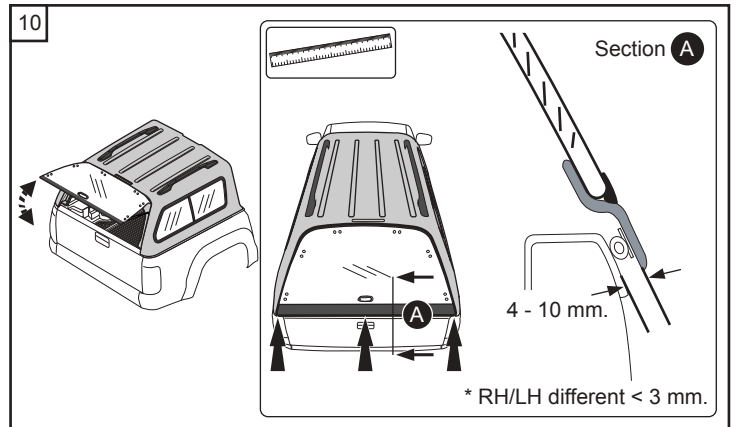
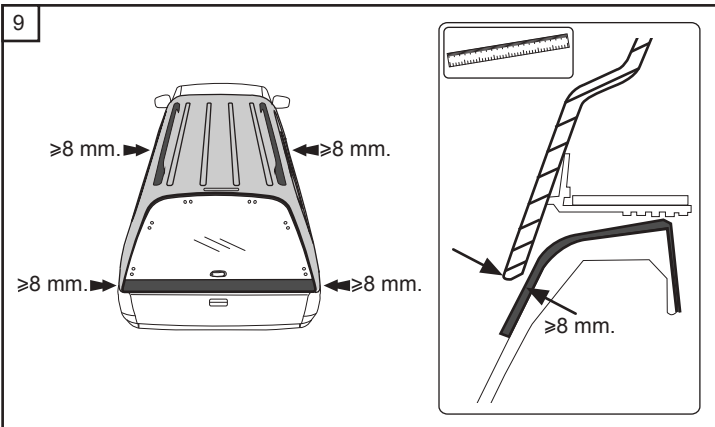
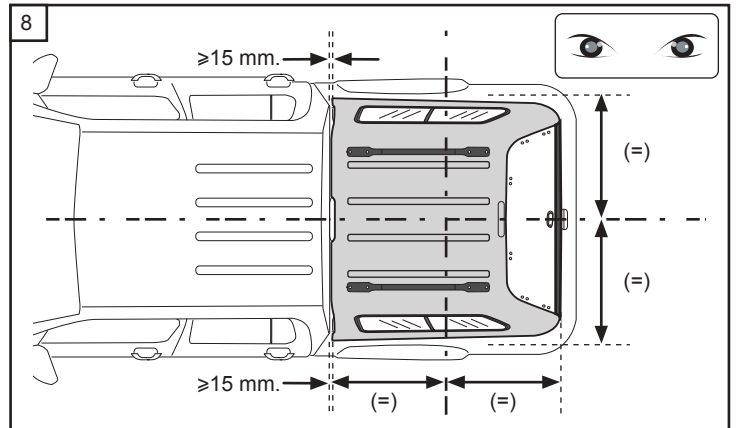
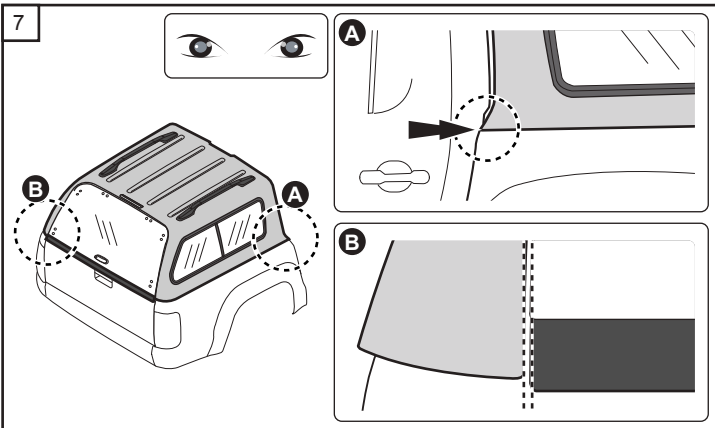
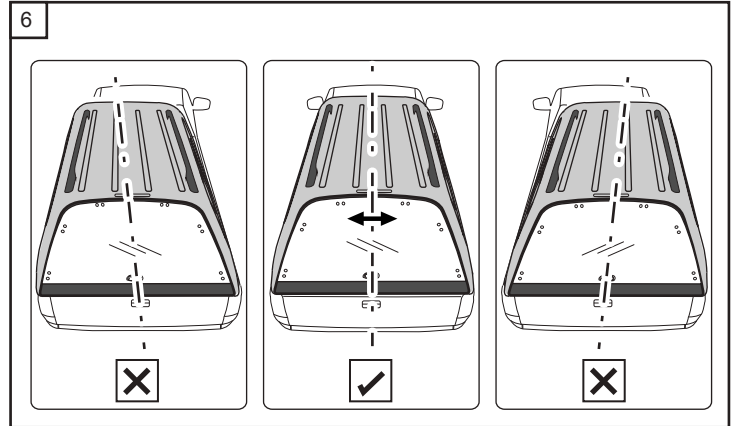
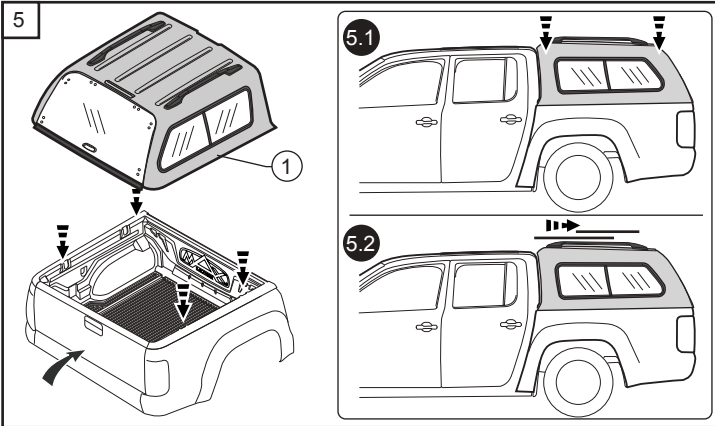
Instruction procedure (without bedliner)



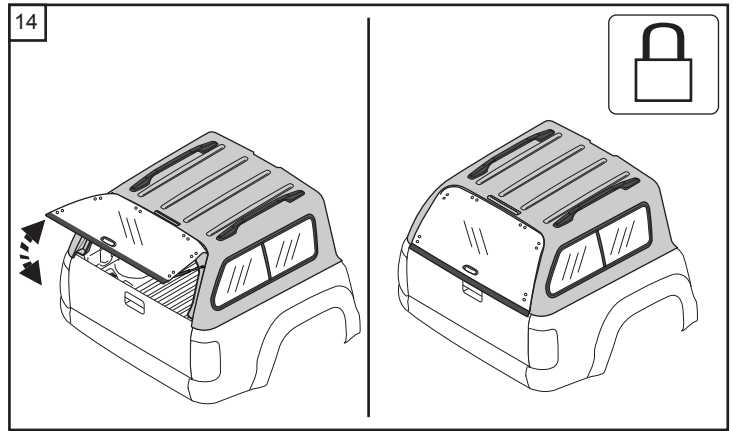
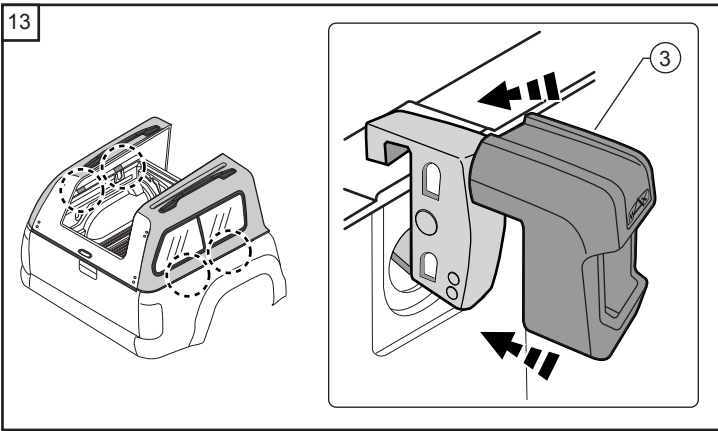
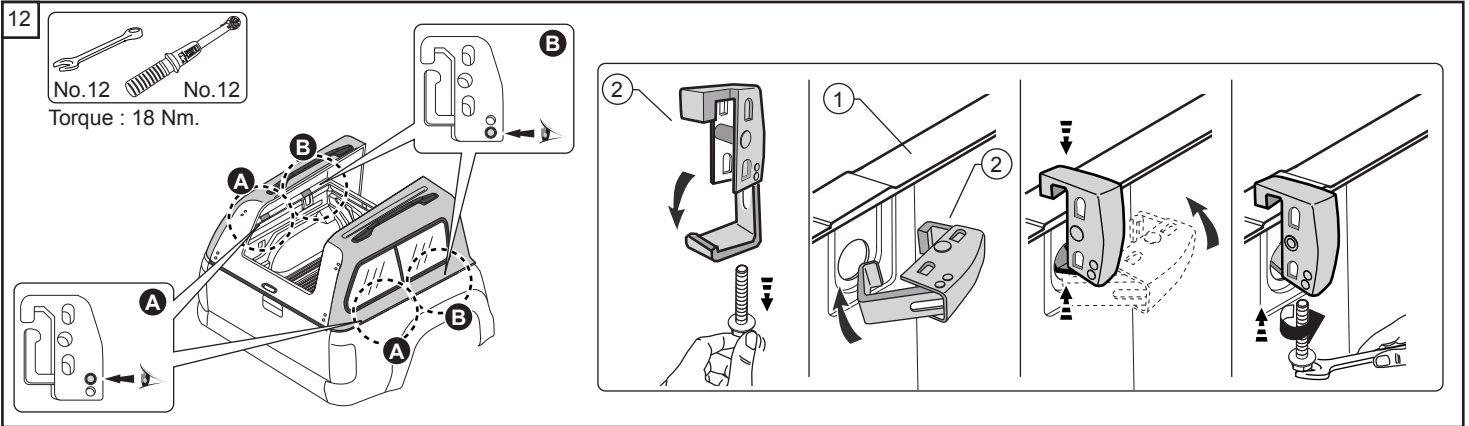
Instruction procedure (with bedliner)



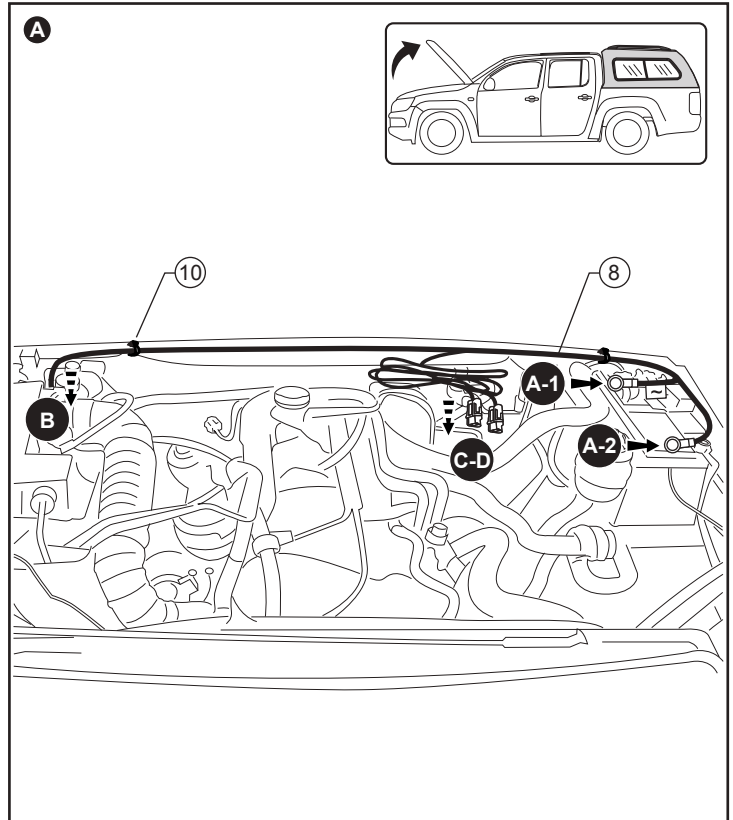
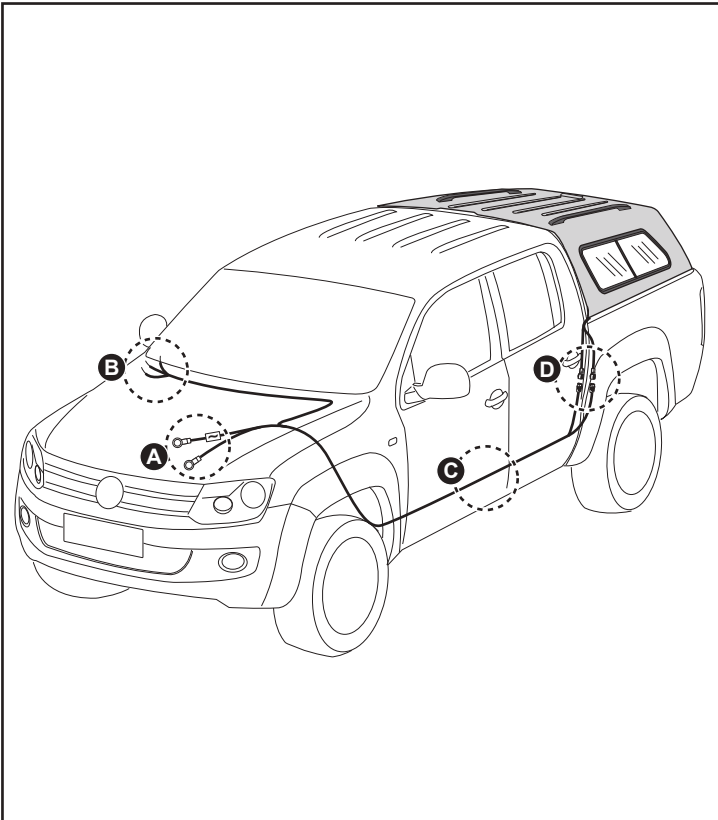
Instruction procedure (with bedliner)



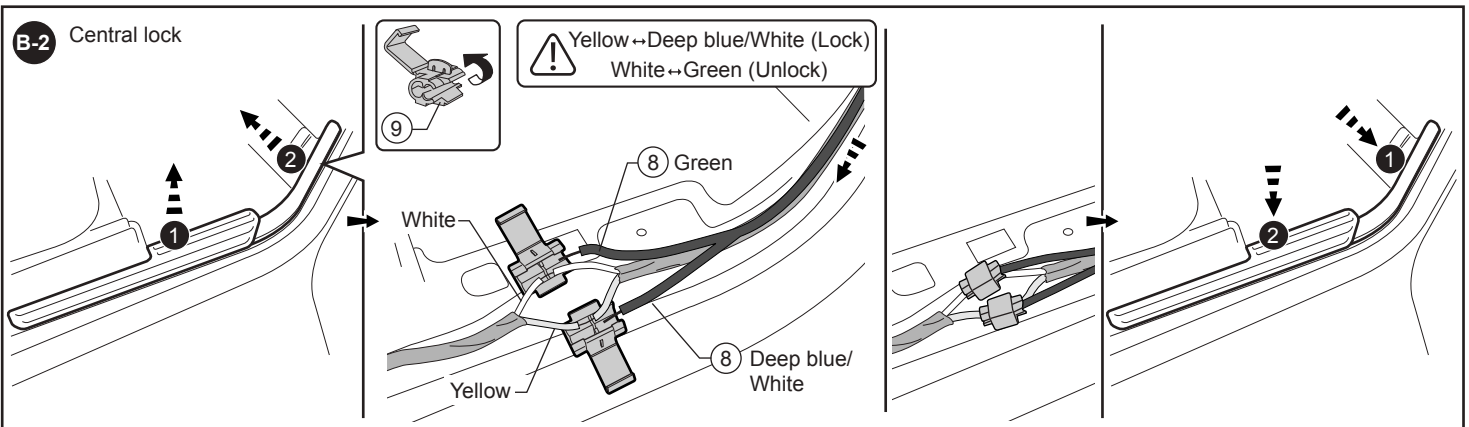
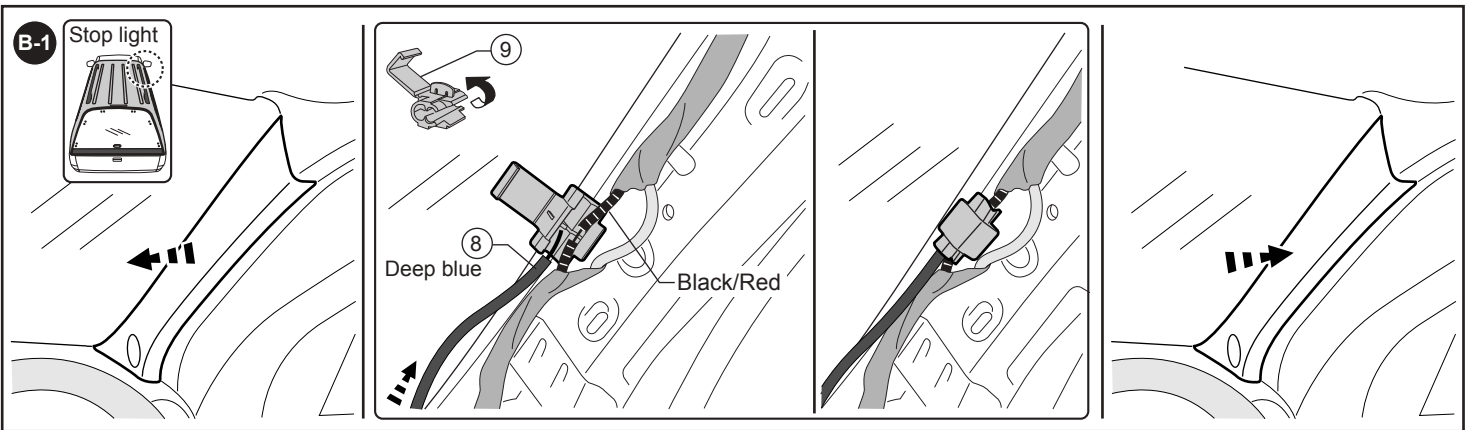
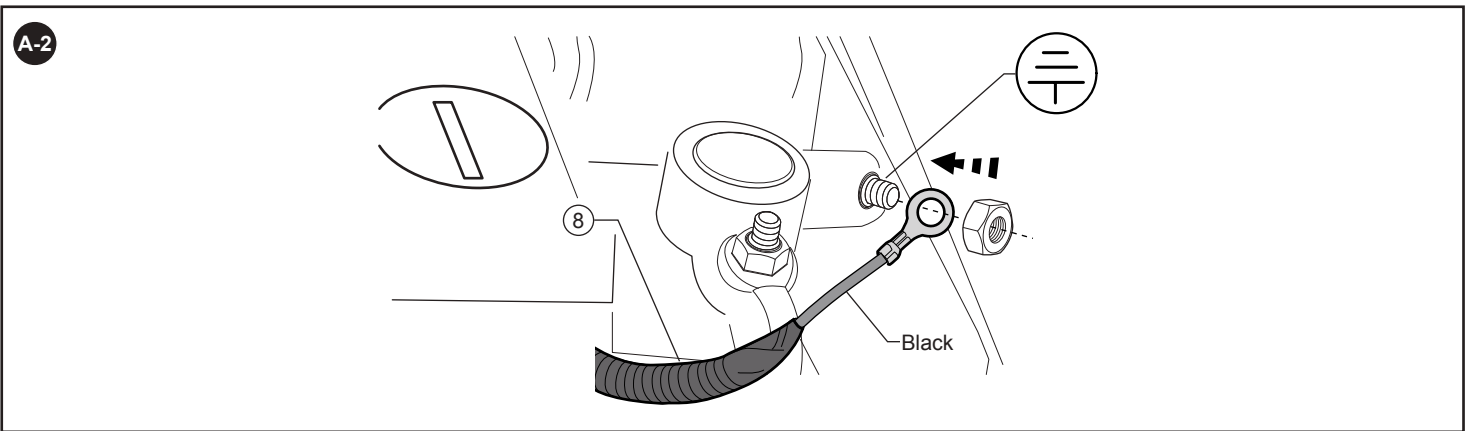
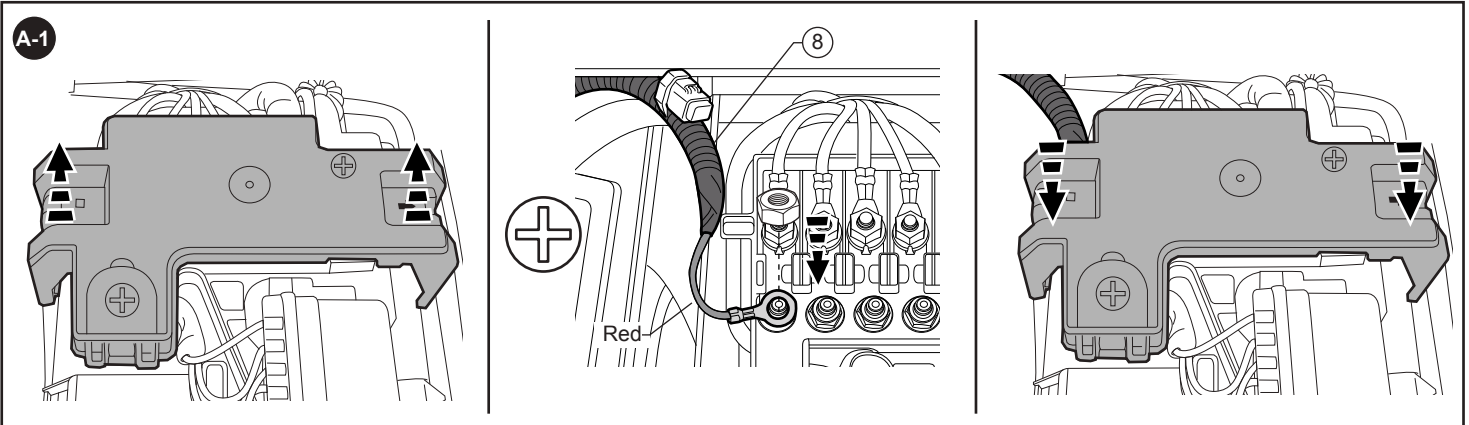
Instruction procedure (with bedliner)



Instruction procedure (Cord set)



Instruction procedure (Cord set)



Instruction procedure (Cord set)

