

Mountain Top® Roll

Installation manual

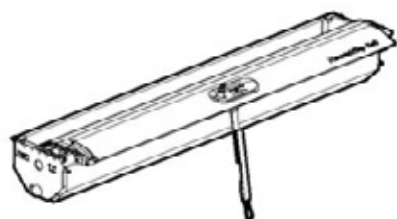


DOWNLOAD PDF



Parts

A



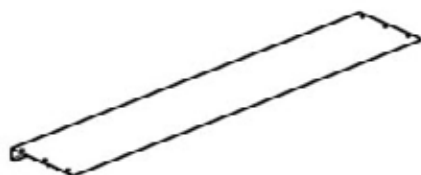
x 1

B



x 1

C



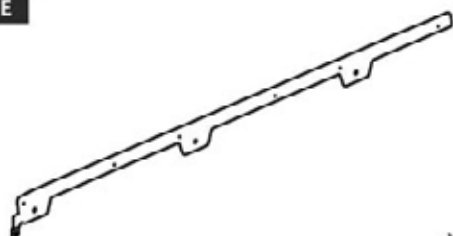
x 1

D



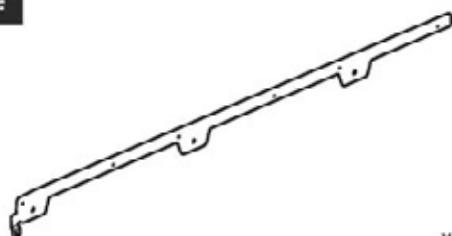
x 1

E



x 1

F



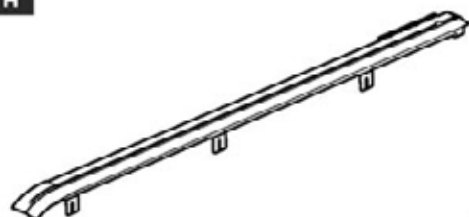
x 1

G



x 1












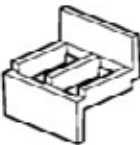










H



x 1





Kit # 824 040

I  x 2	J  x 6	K  x 6	L  x 6
M  x 4	N  x 19	O  x 1	P  x 6
Q  x 6	R  x 2	S  x 2	T1  x 2
T2  x 2	U1  x 1	U2  x 1	V  x 2
X1  x 1	X2  x 1	Y1  x 2	Y2  x 2
 x 1	 x 1		

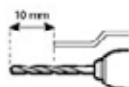


Kit # 824 203

Z1  x 1	Z2  x 2
--	---



Tools and materials needed

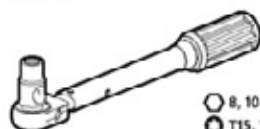


Ø 3,5 mm
Ø 17 mm
Ø 24 mm



Rust protection
Rostschutzmittel
Anti-rouille
Anti roest

1 - 25 Nm



○ 8, 10 mm
● T15, T30
○ 3 mm



○ 3 mm



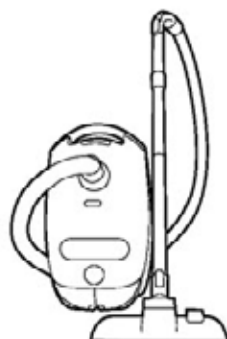
○ 8, 10 mm

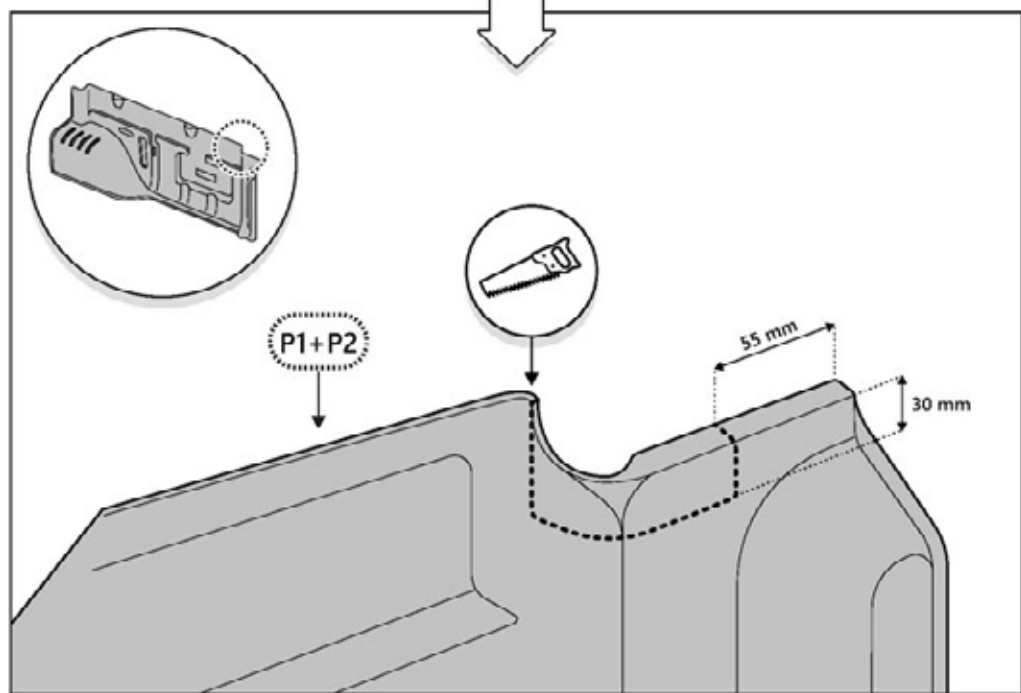
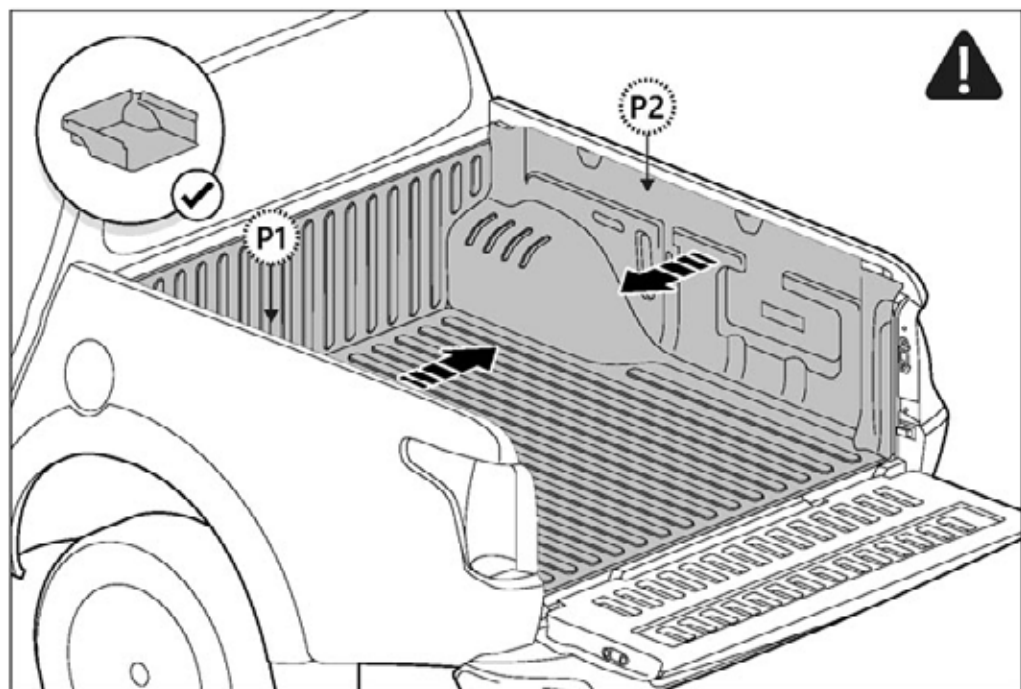


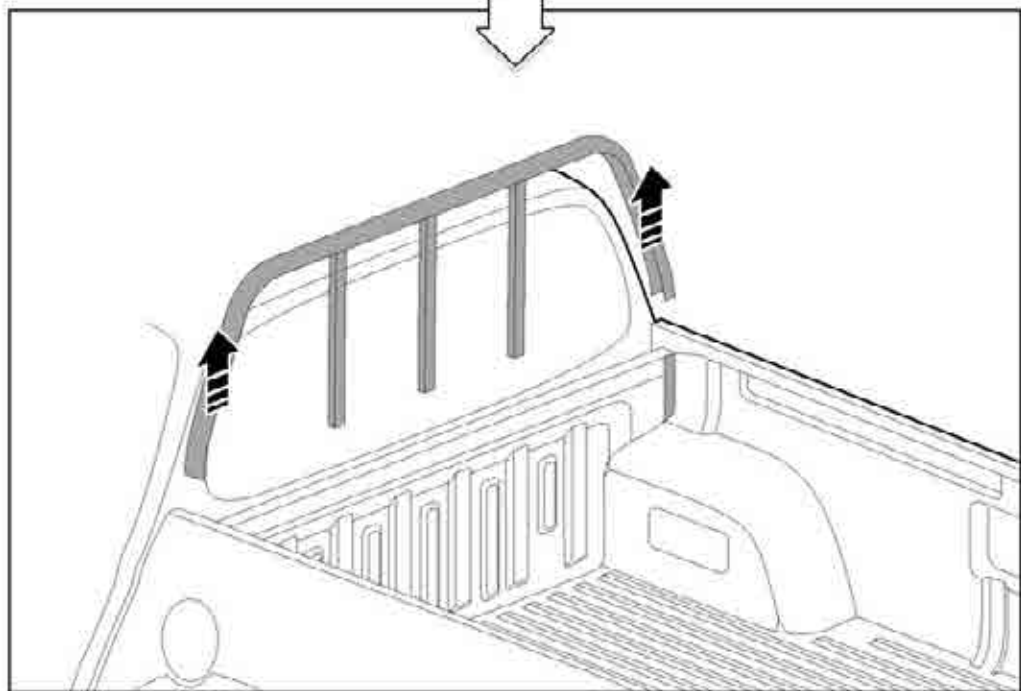
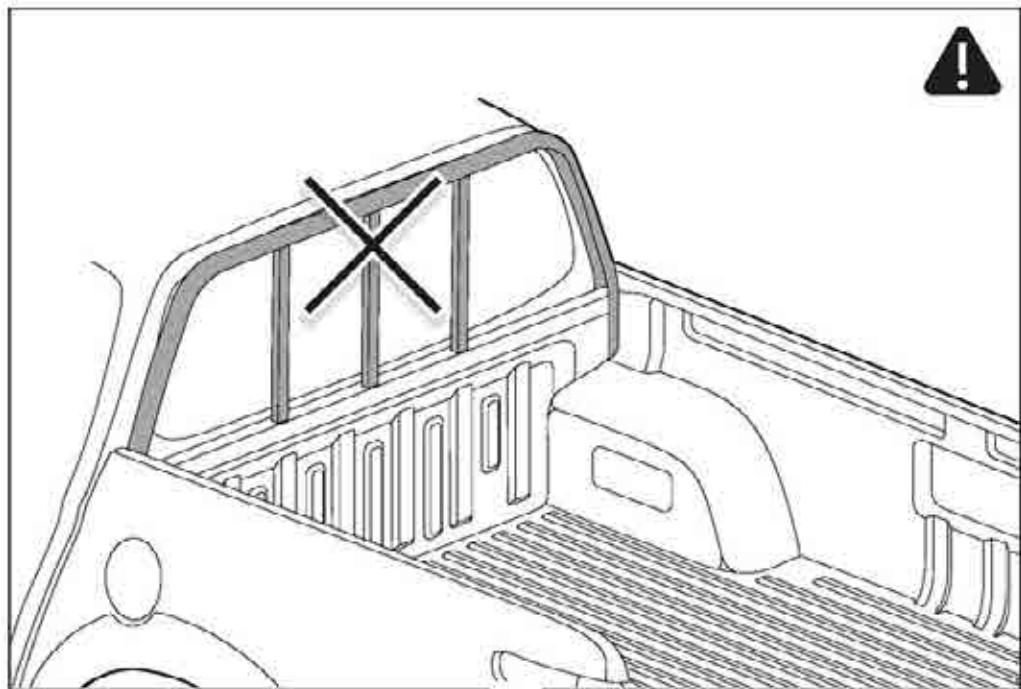
⊗ T15, T30

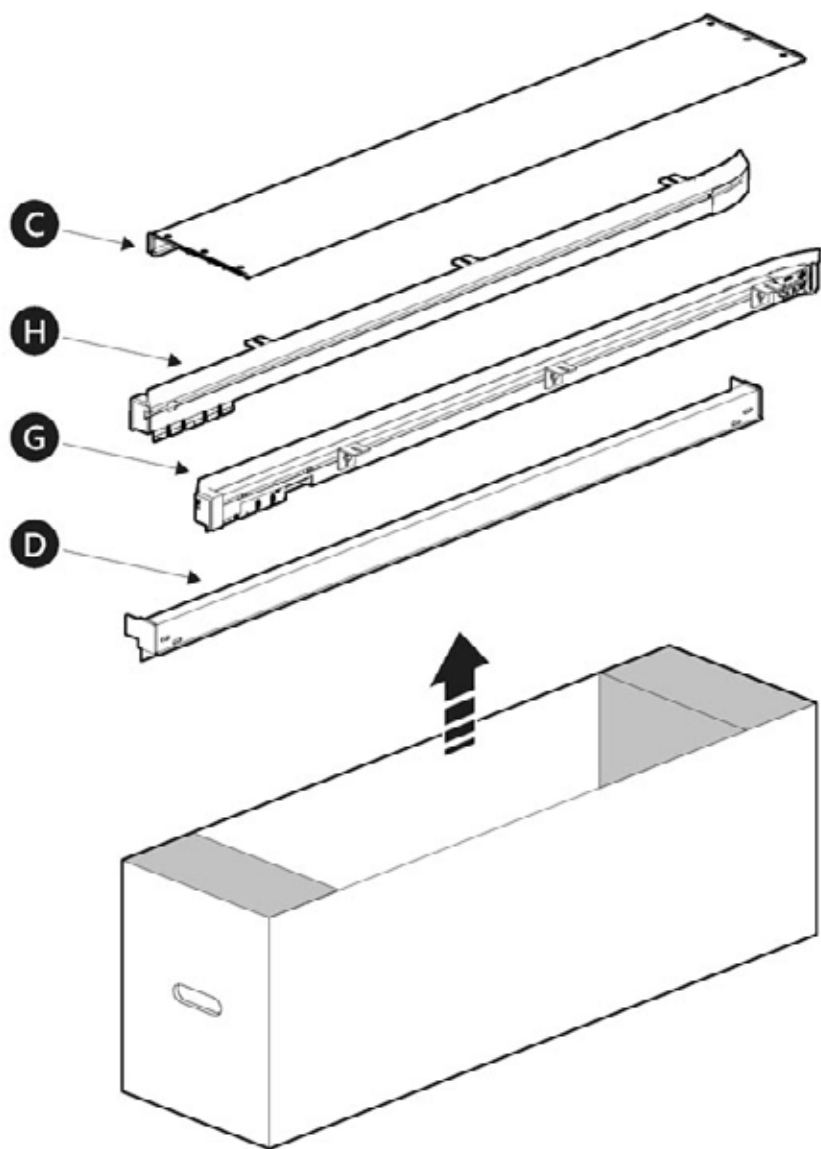


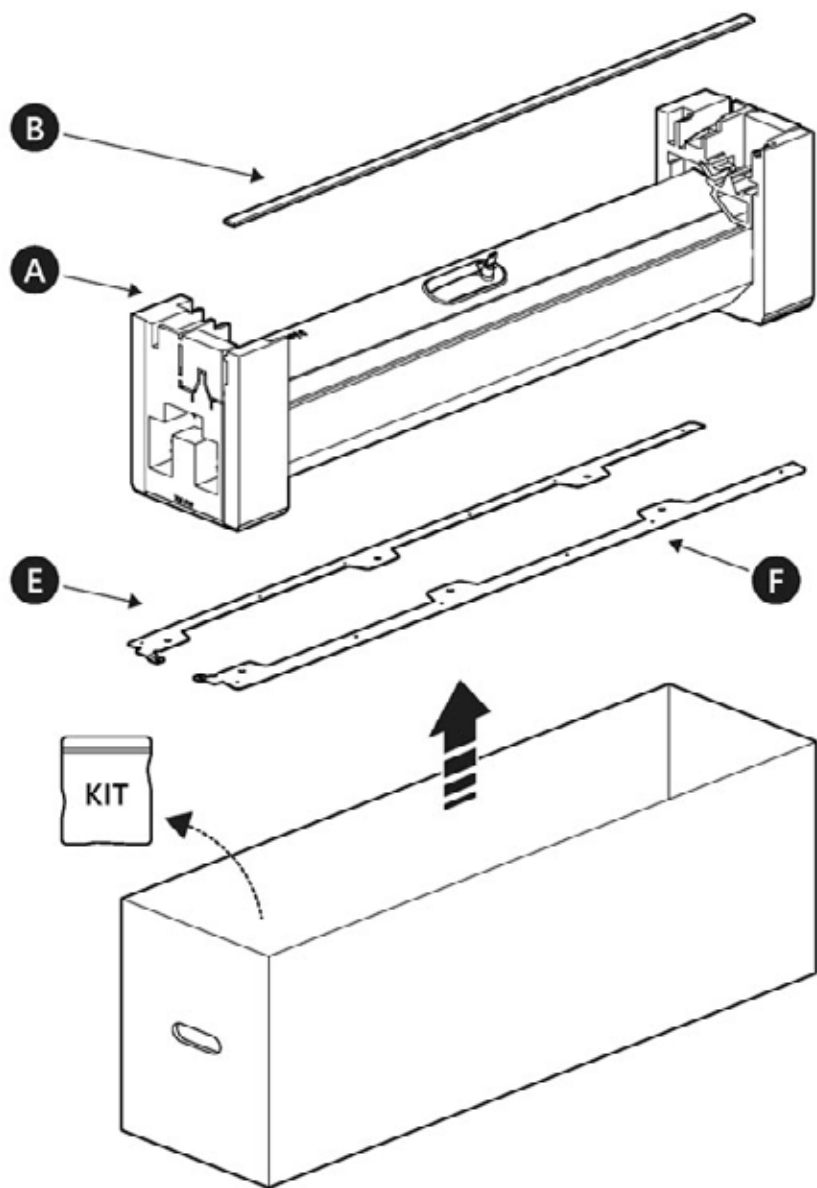
Applying rust protection

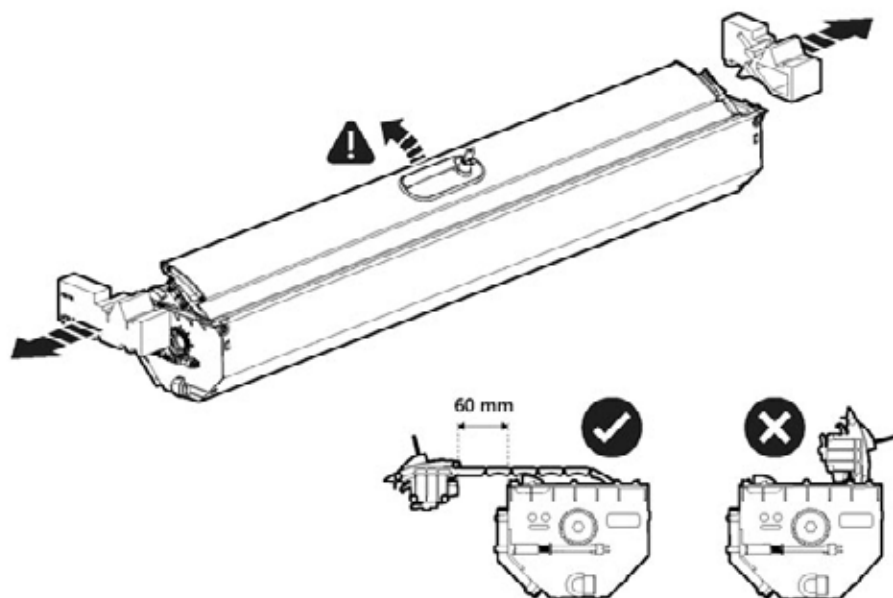
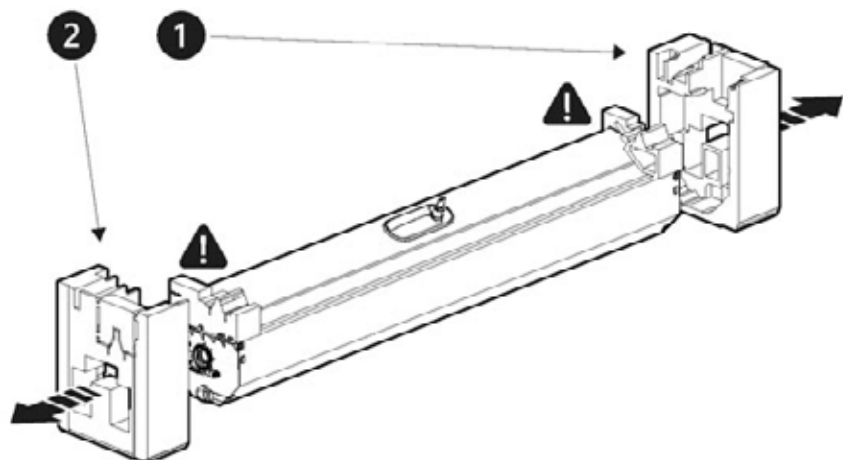


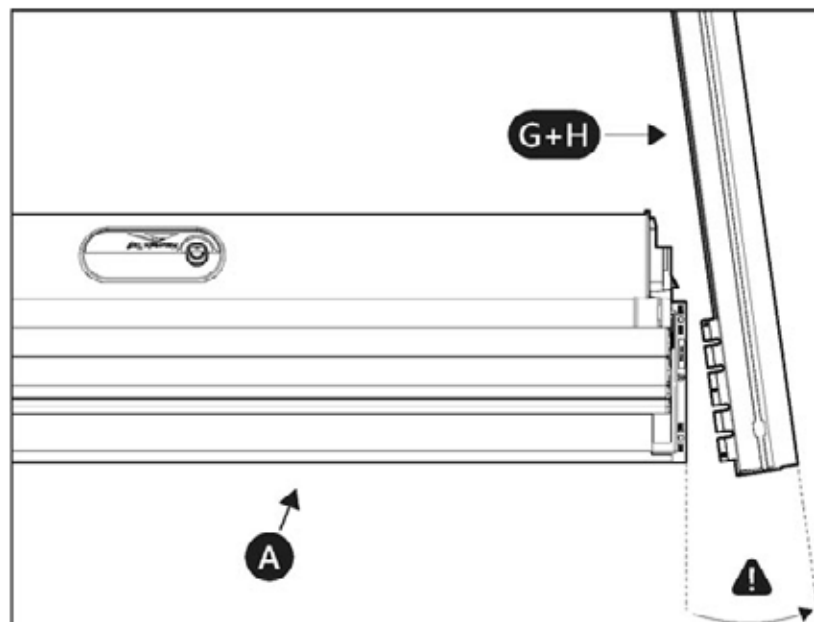
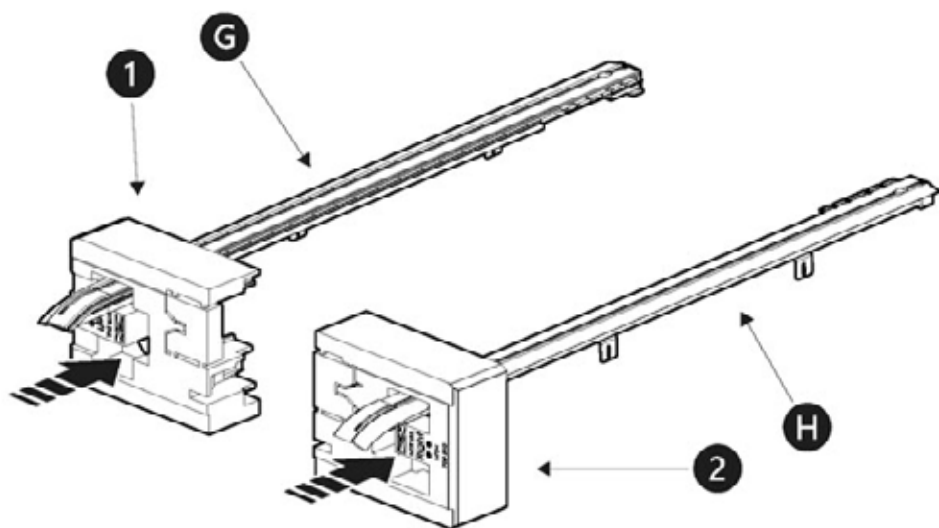


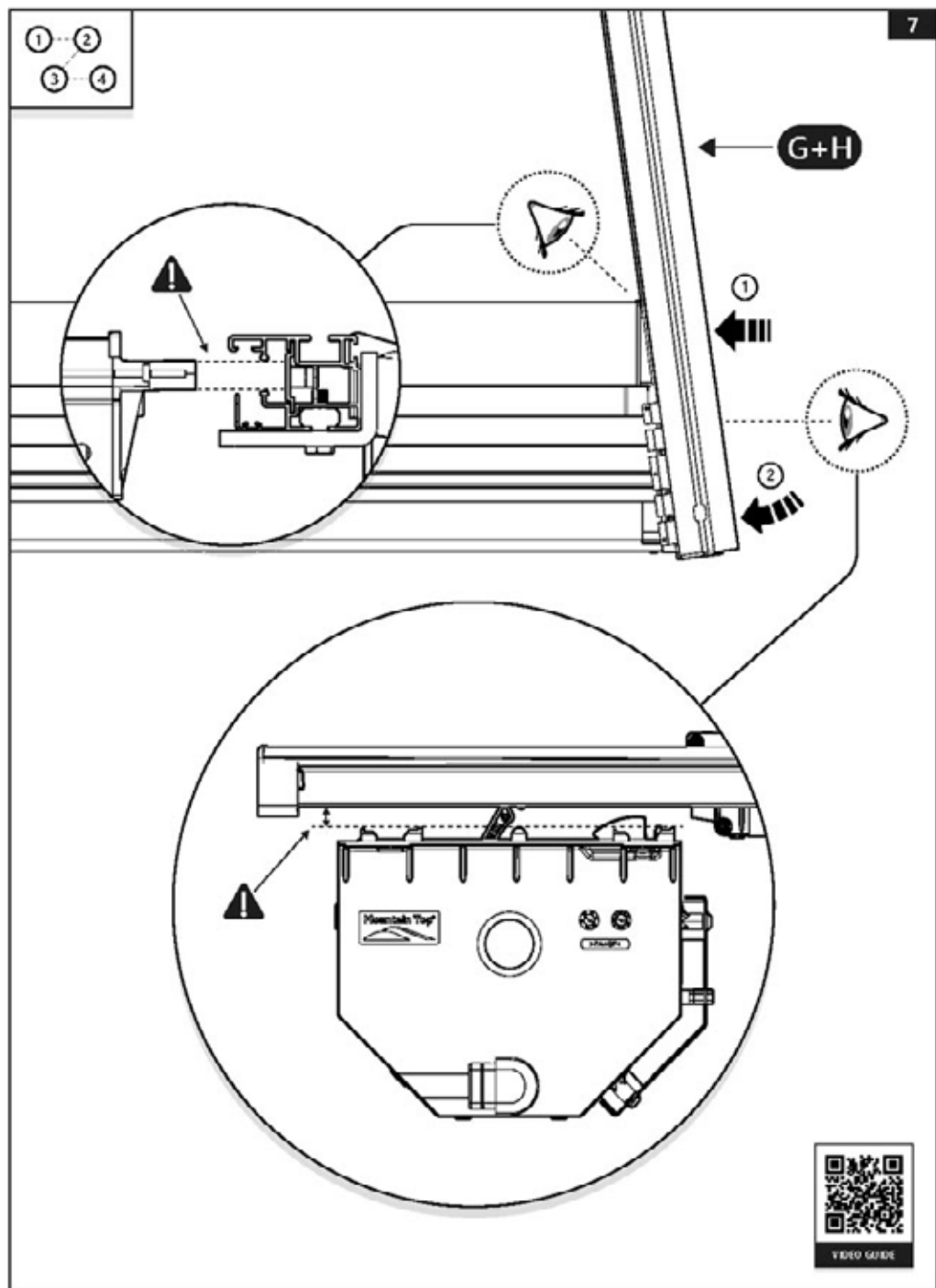


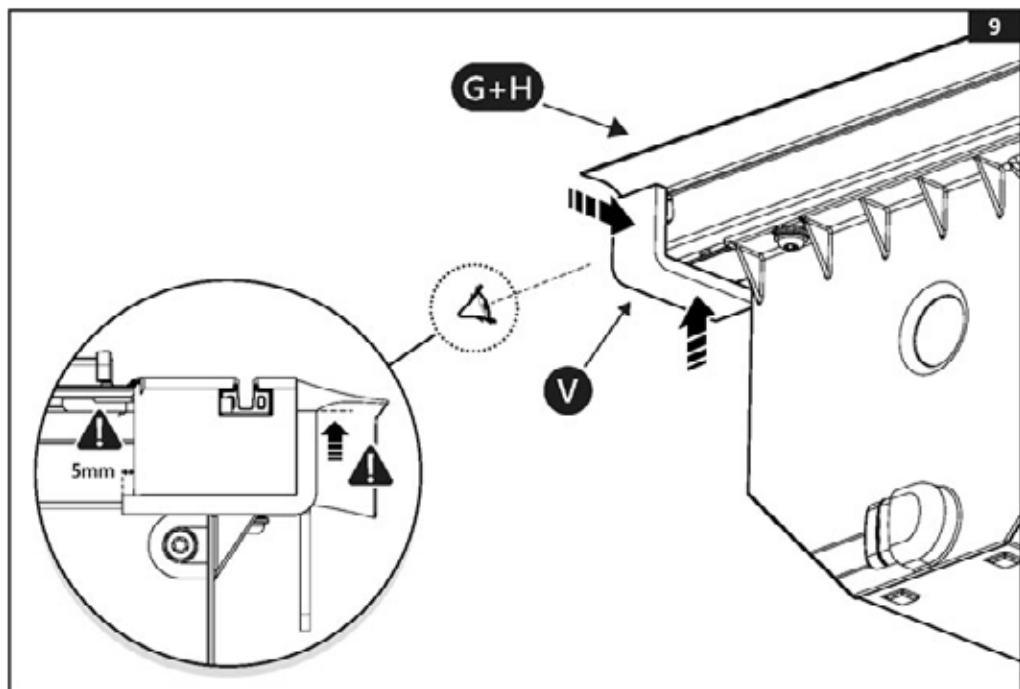
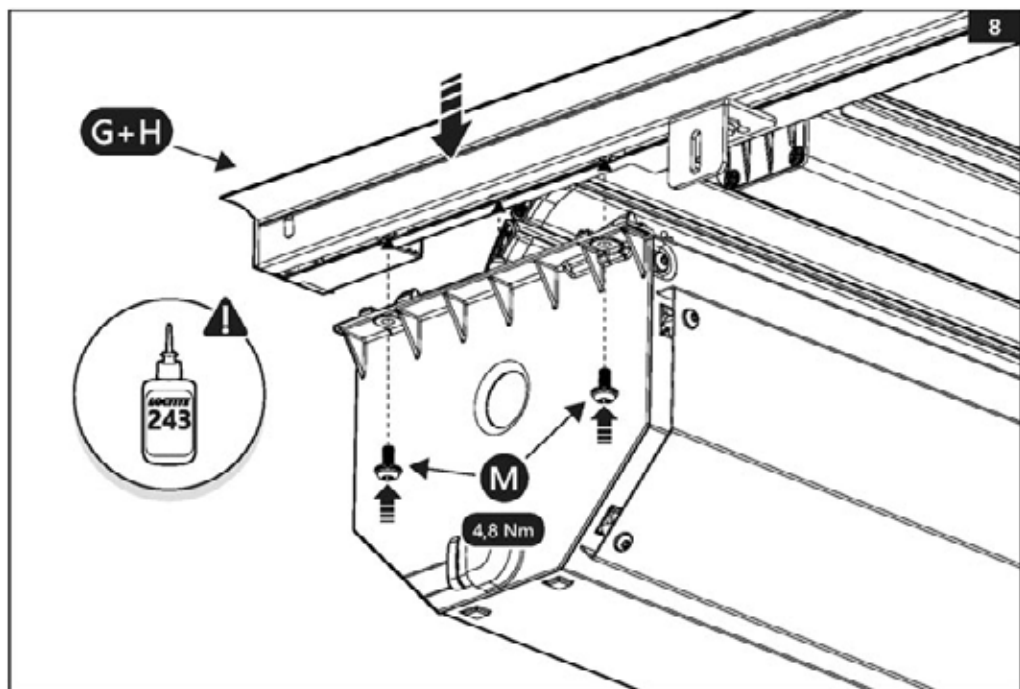


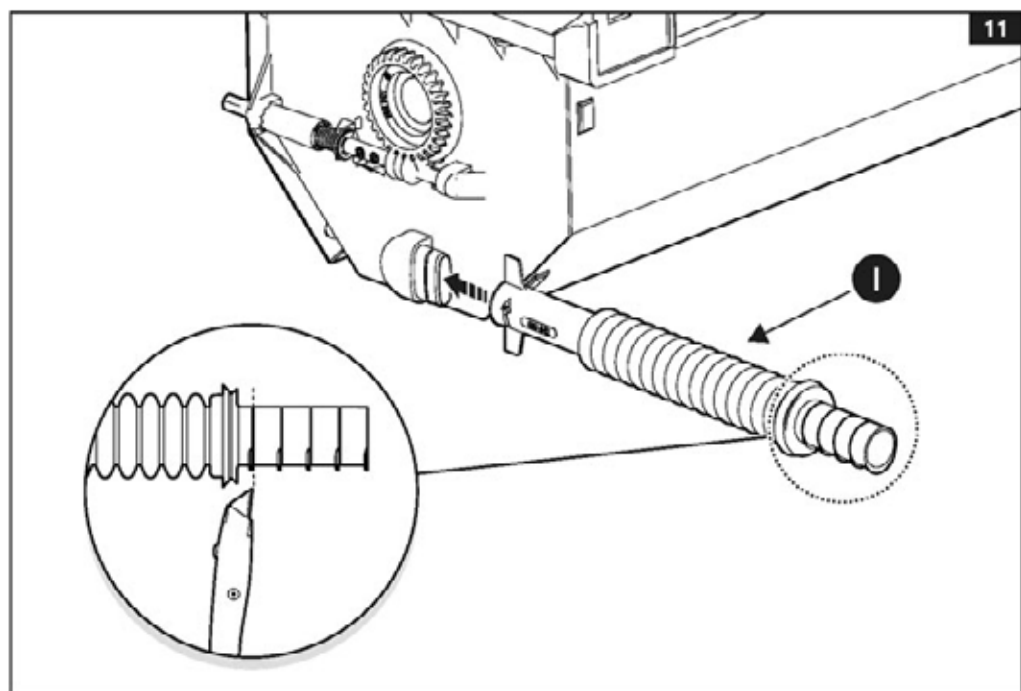
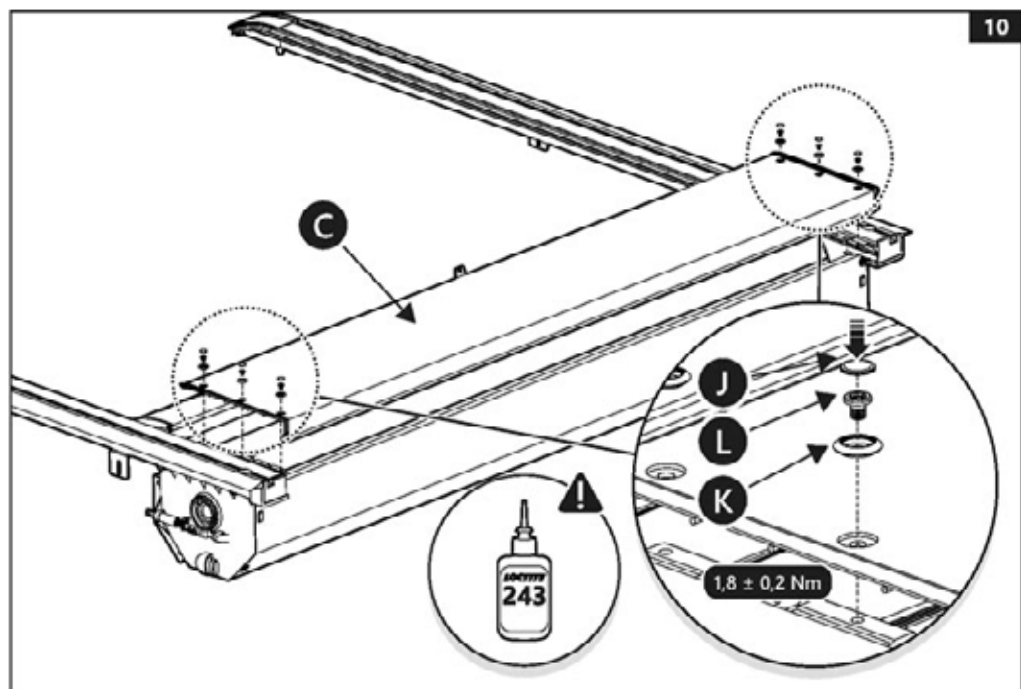


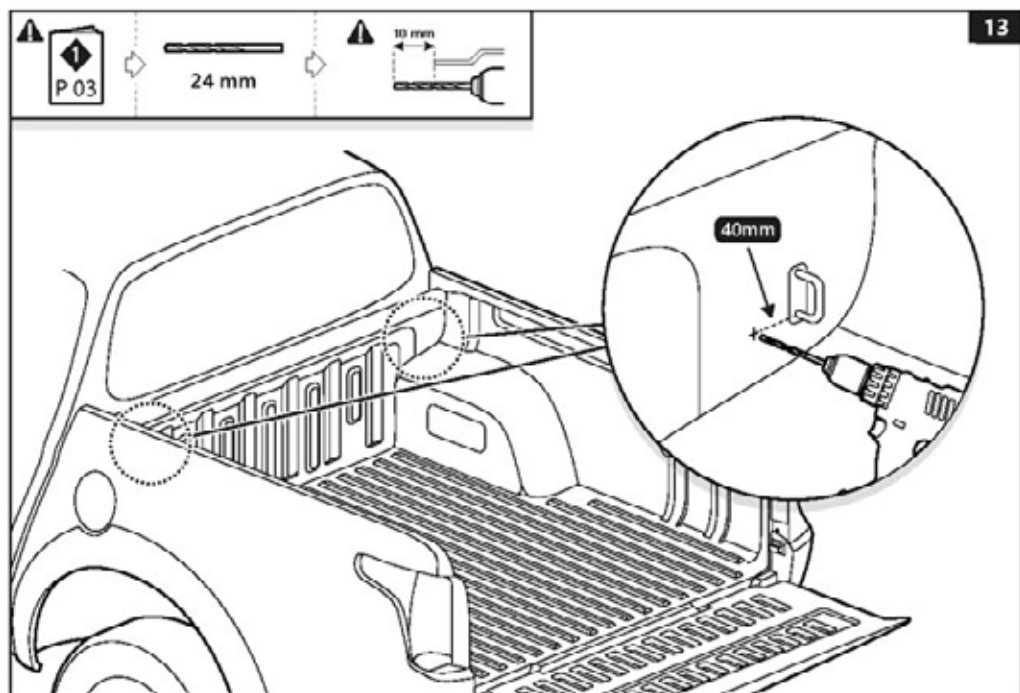
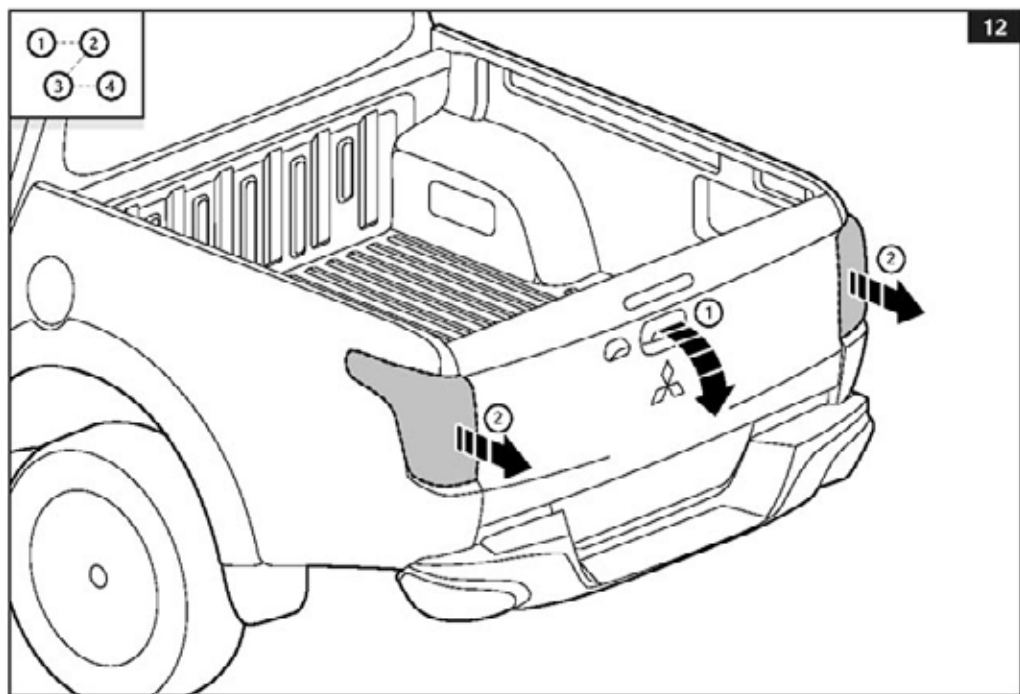


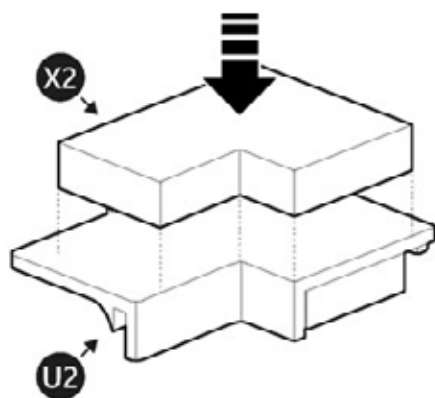
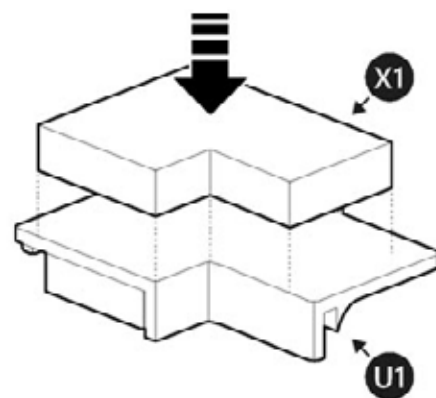
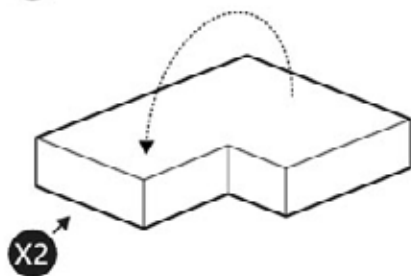
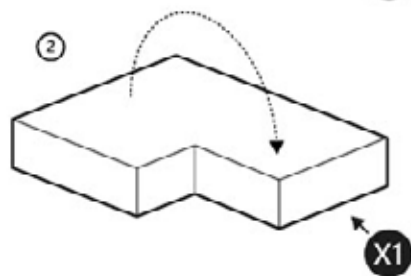
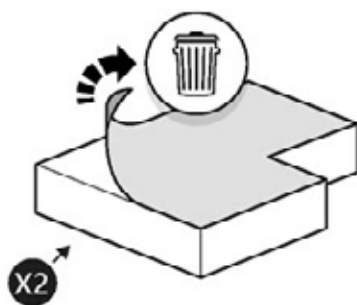
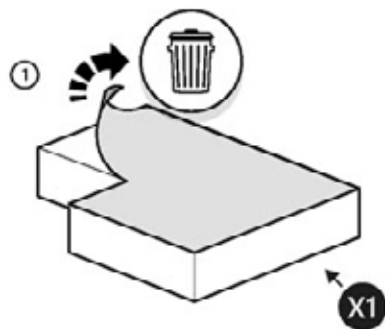


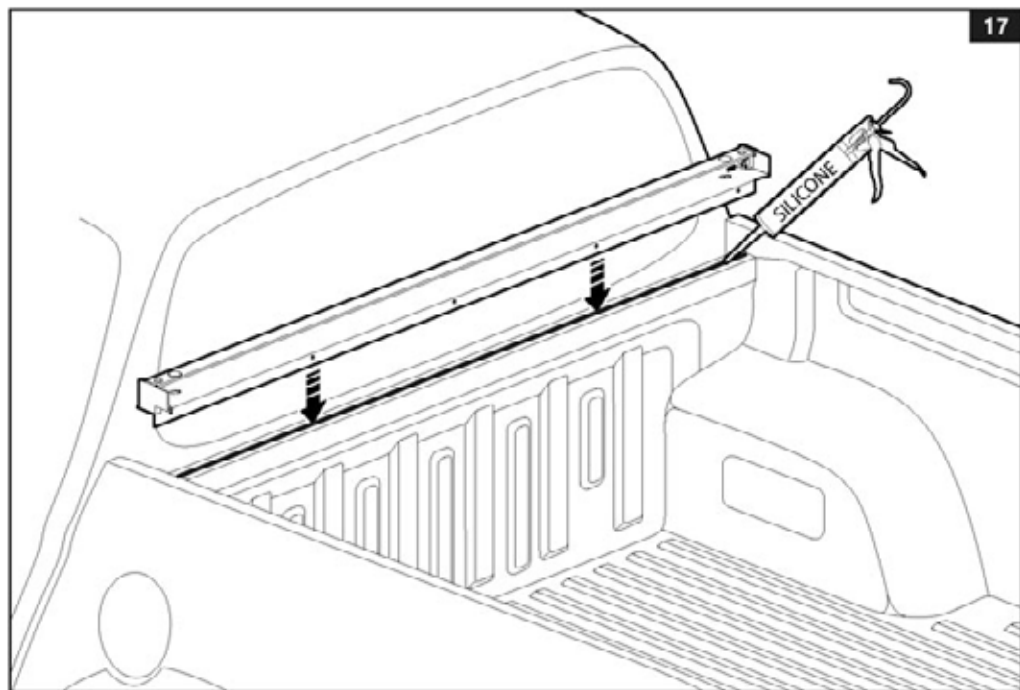
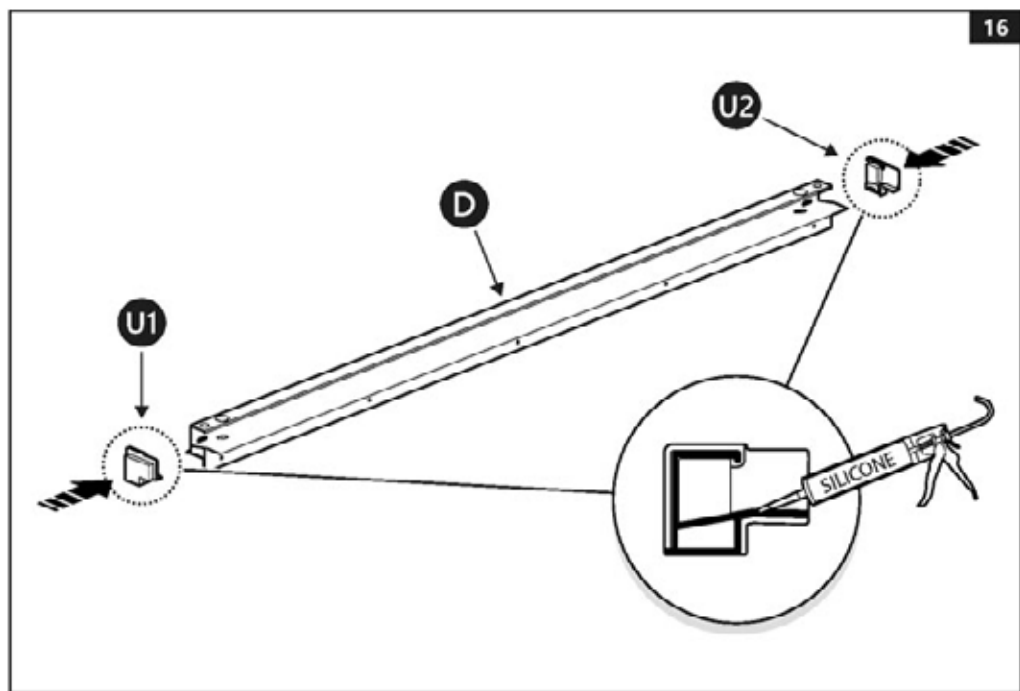


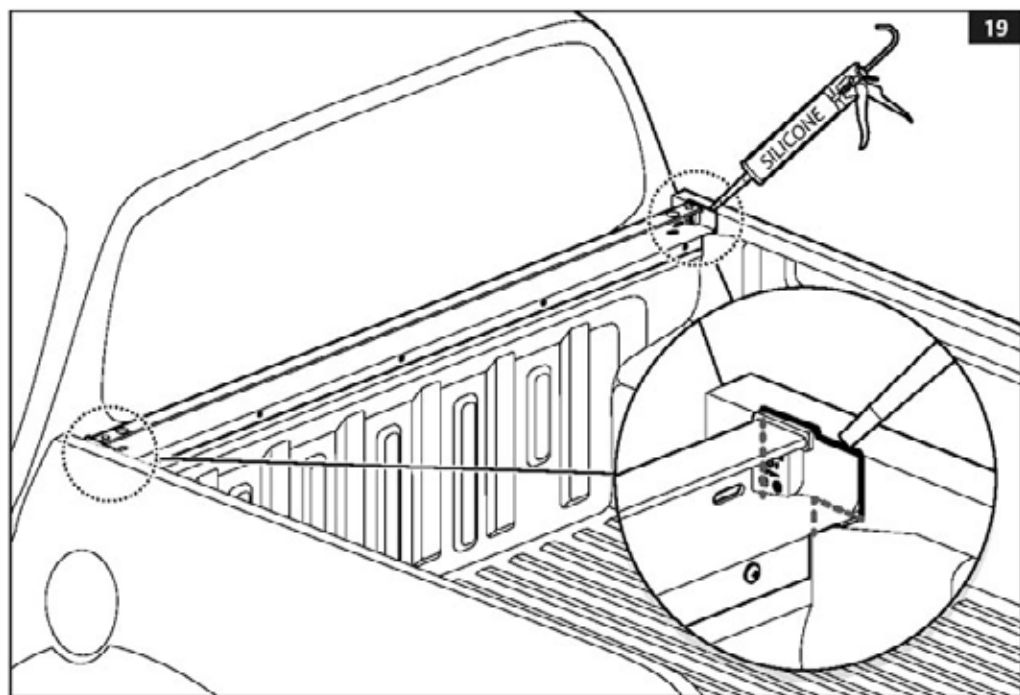
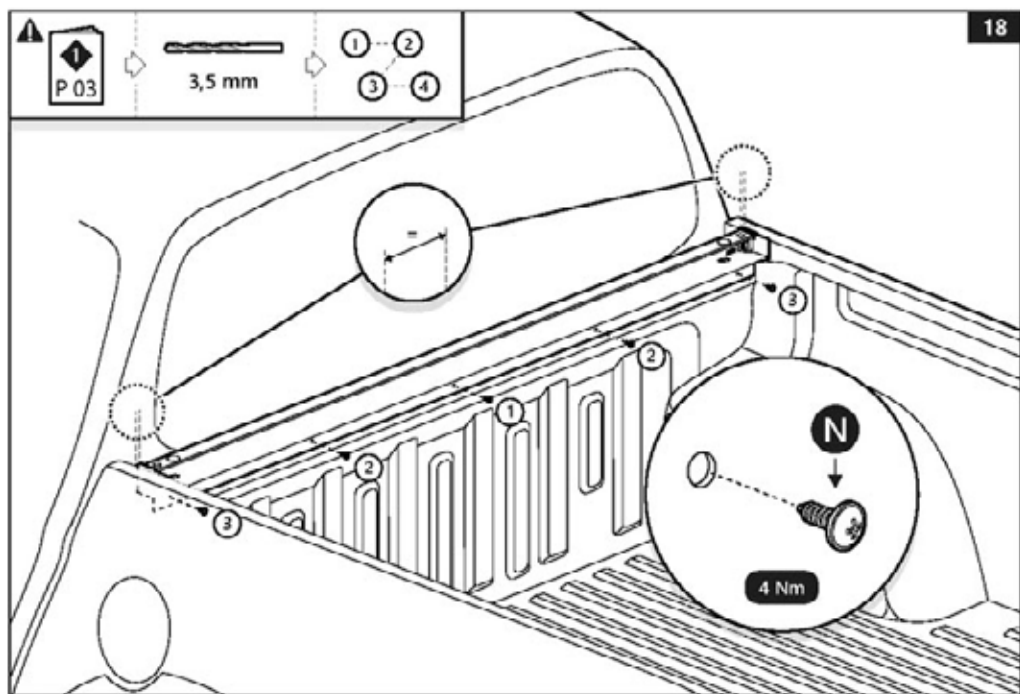


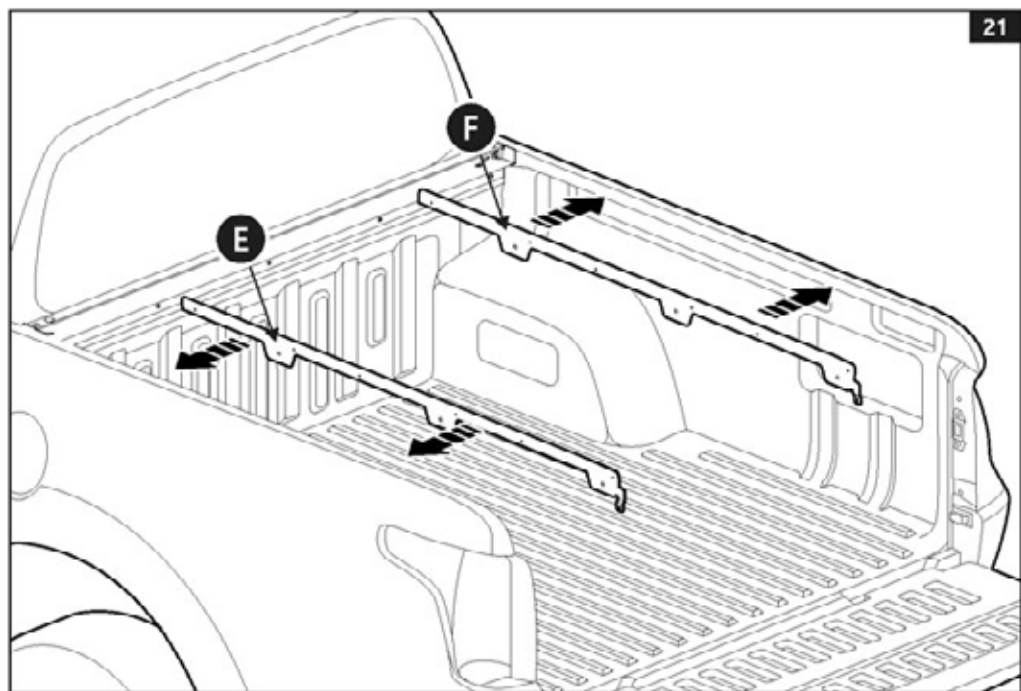
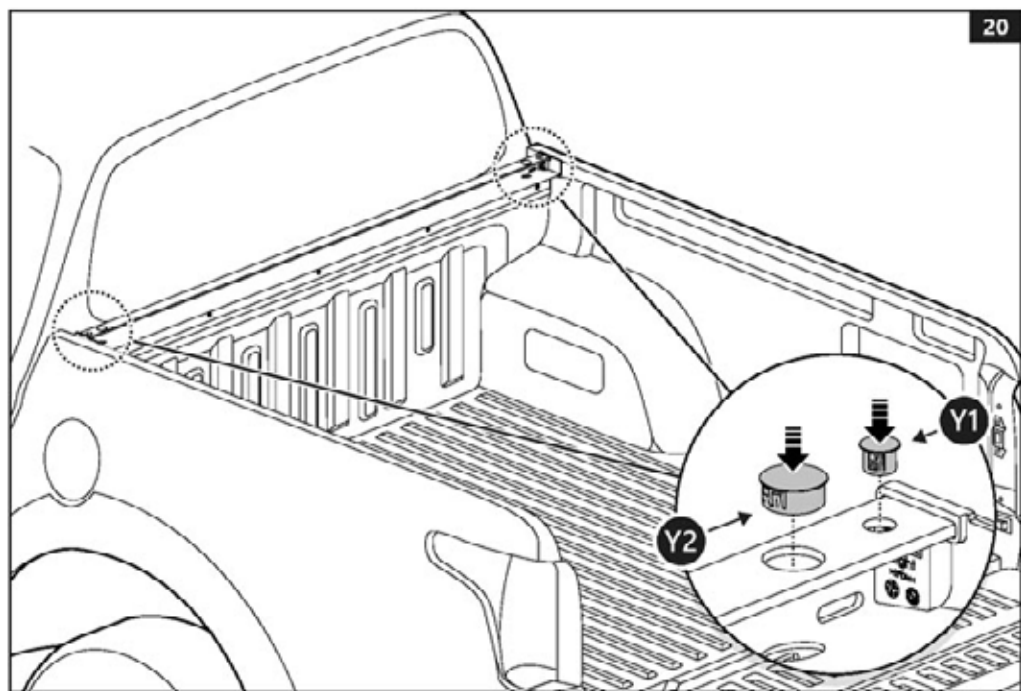


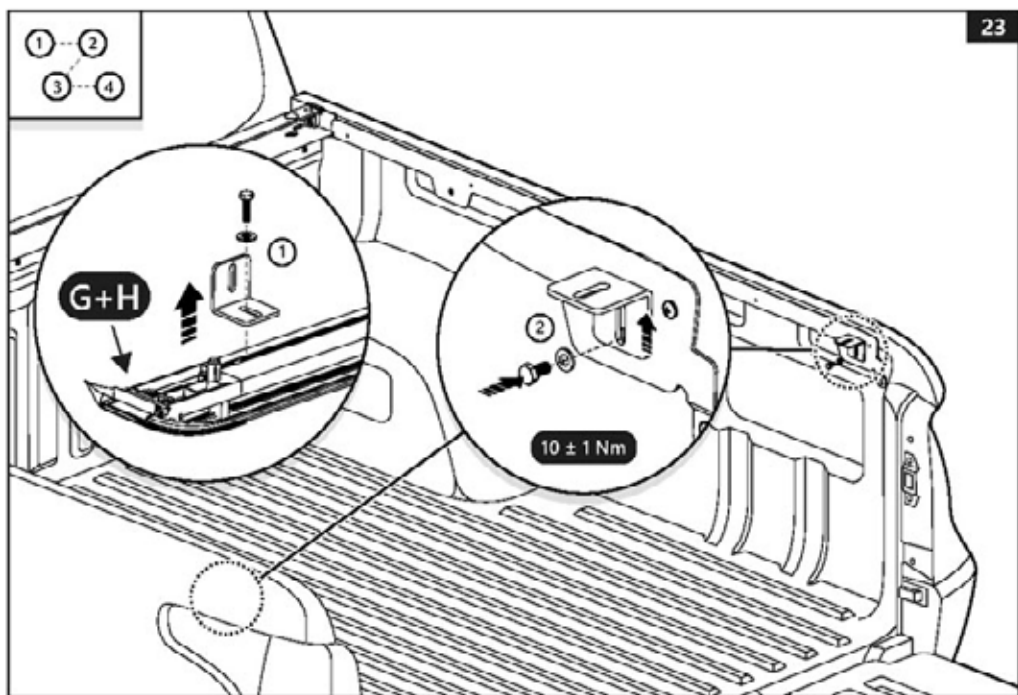
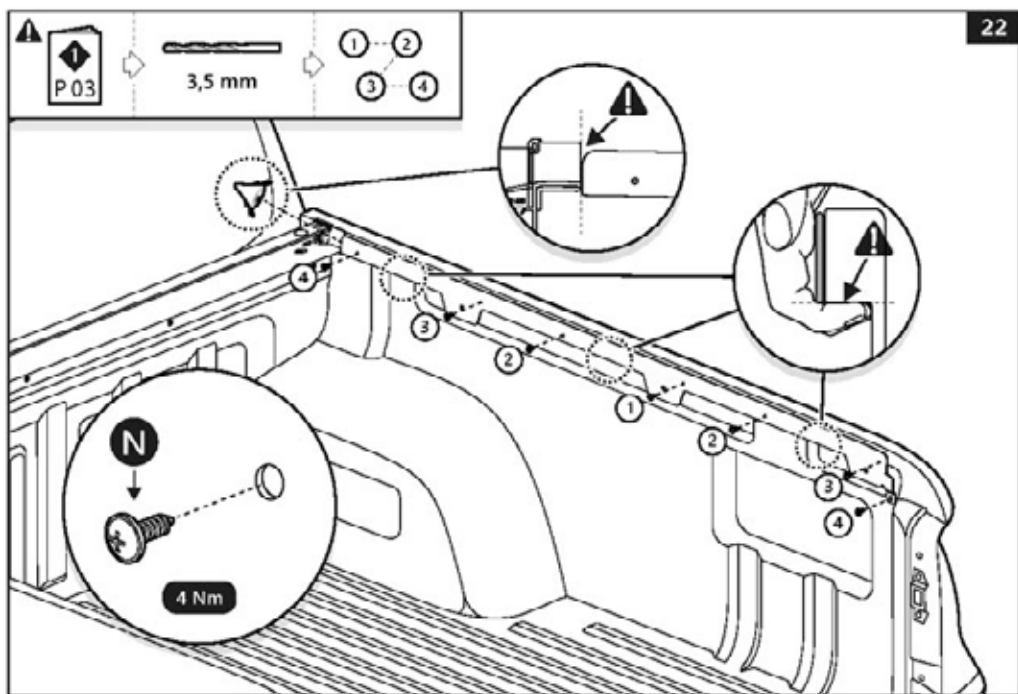


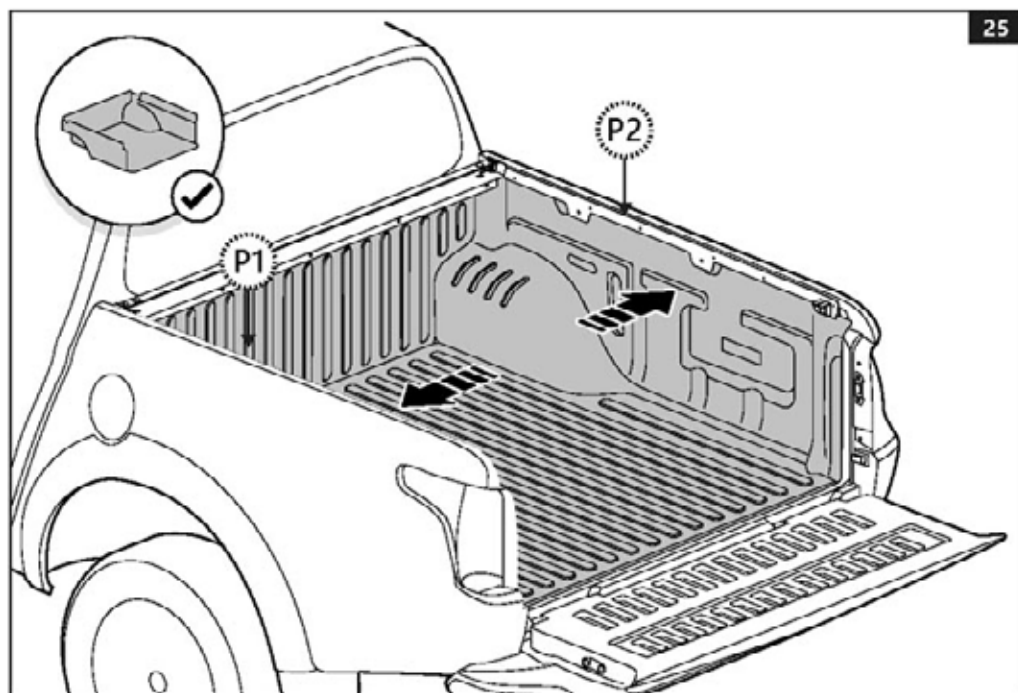
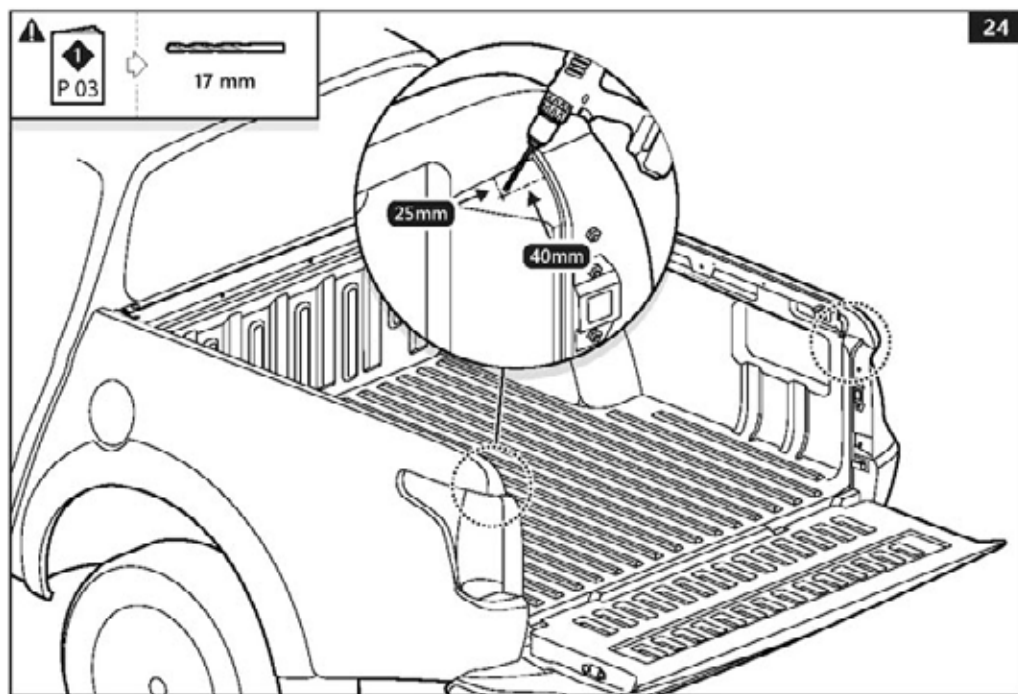


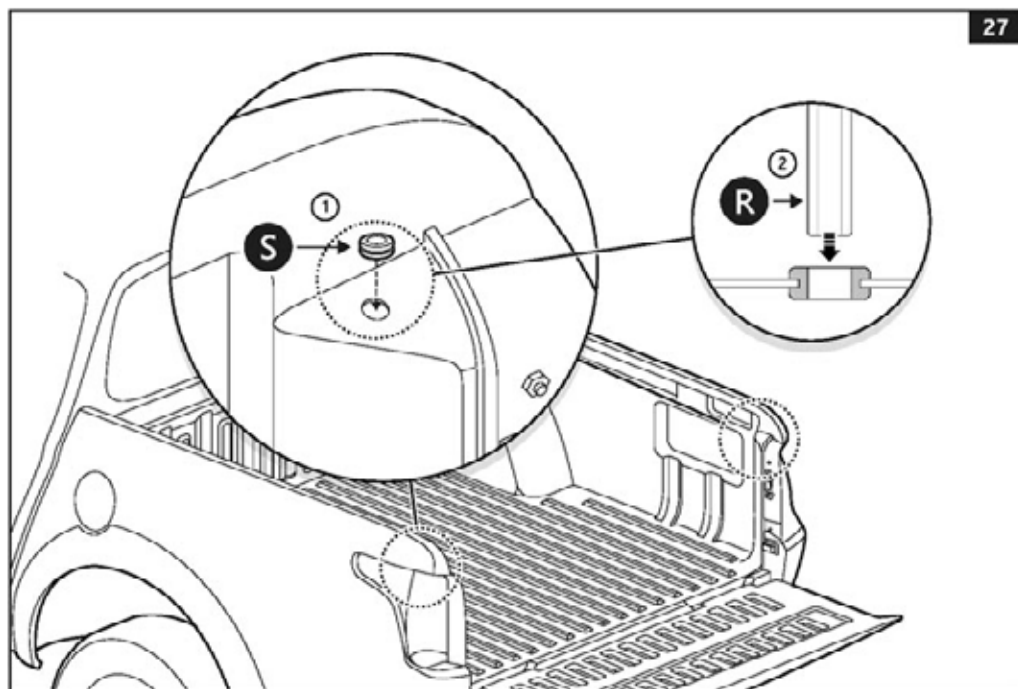
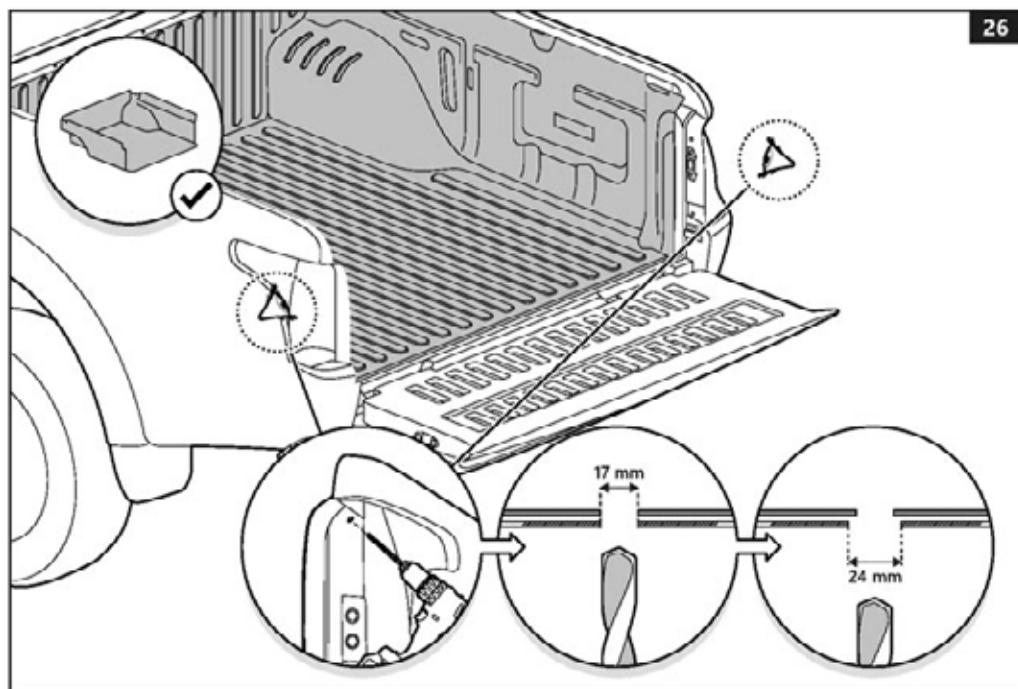


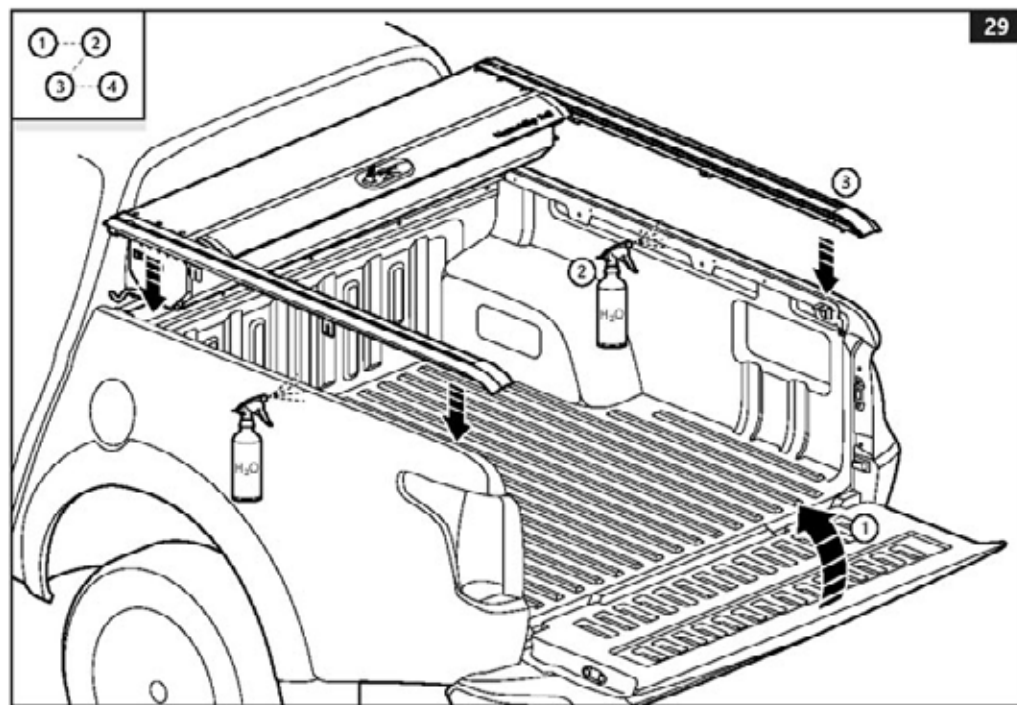
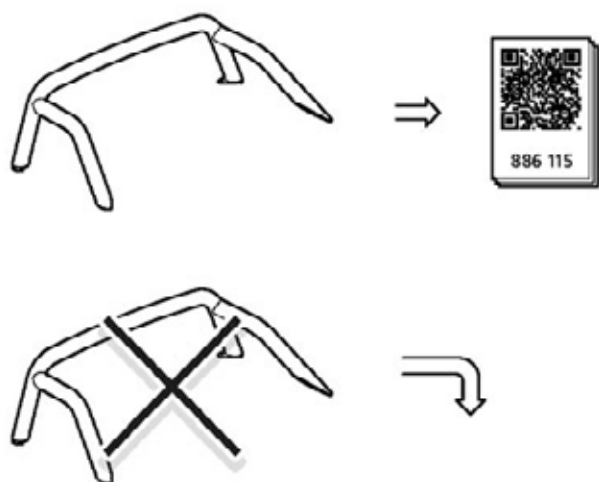


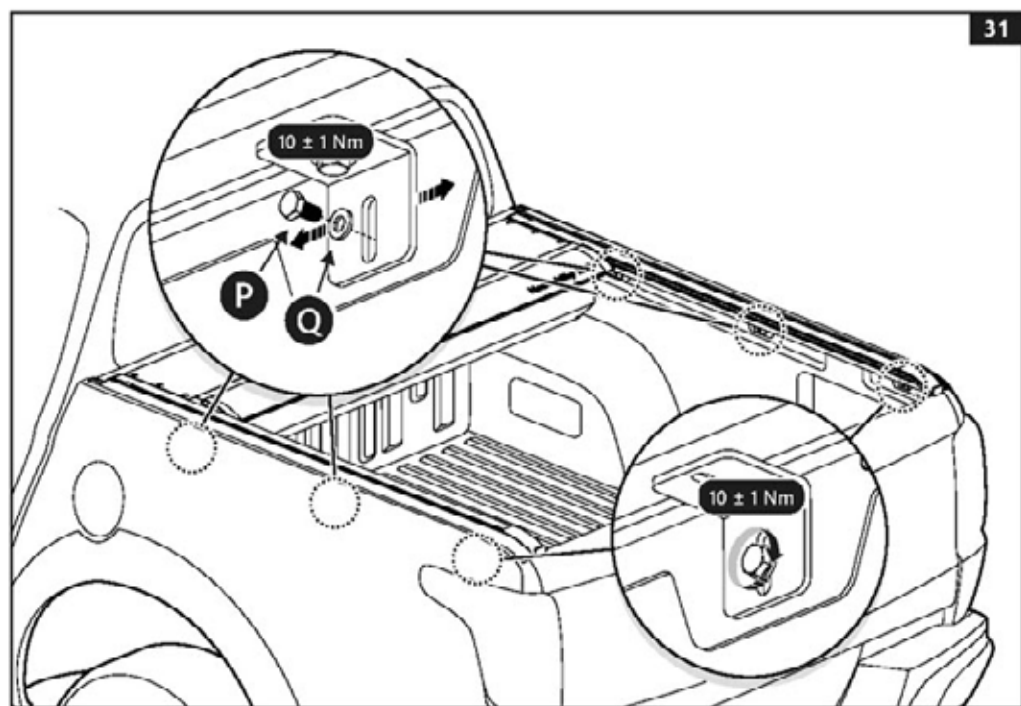
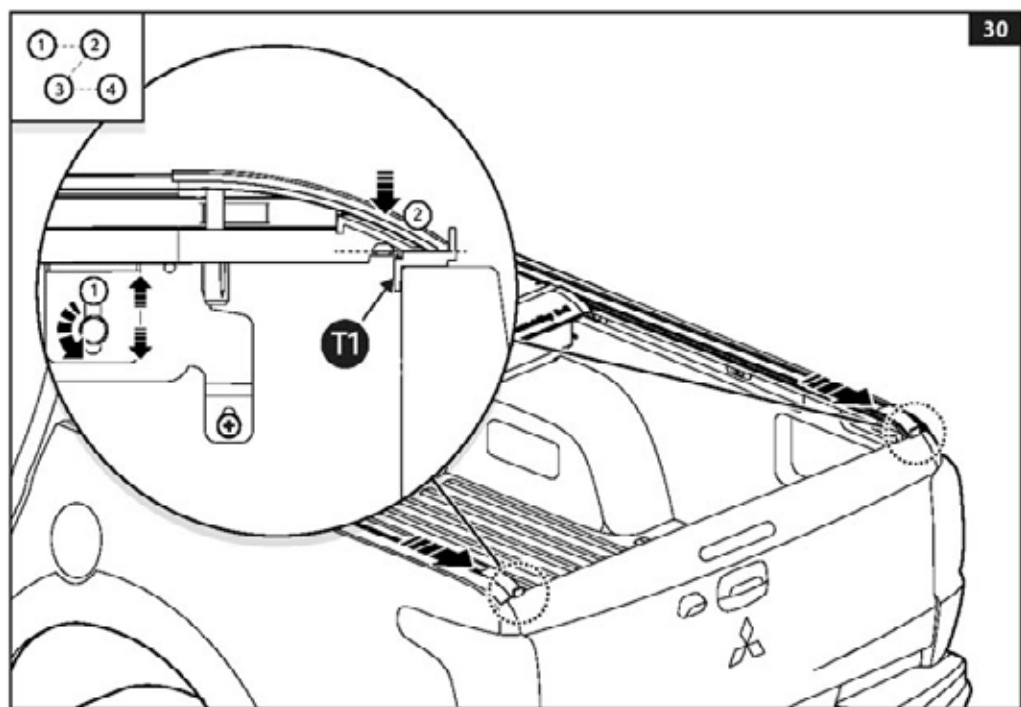


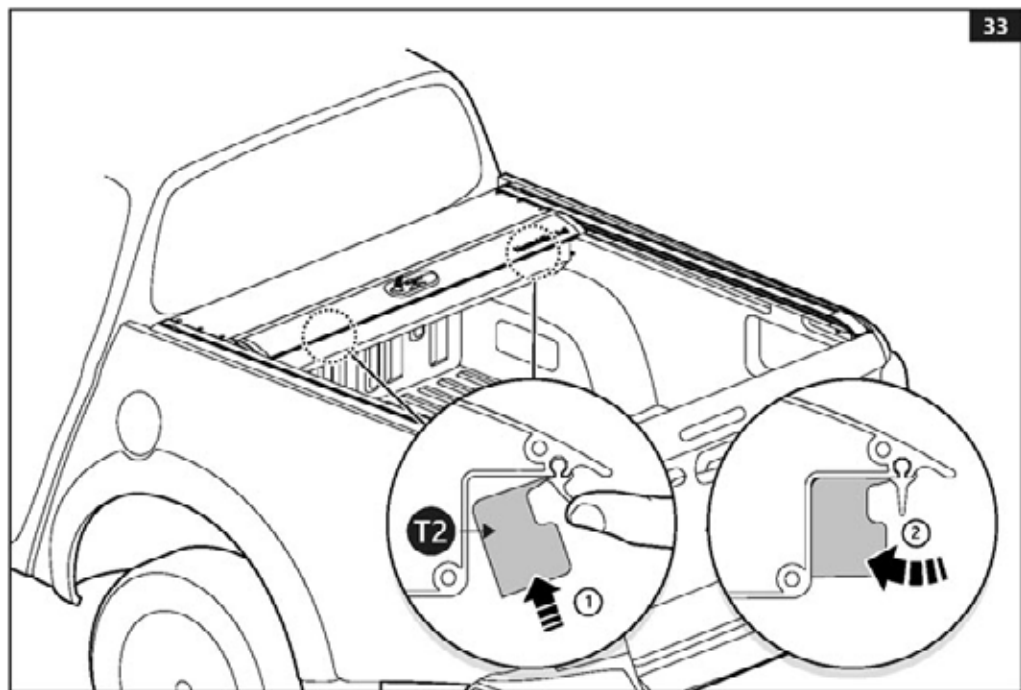
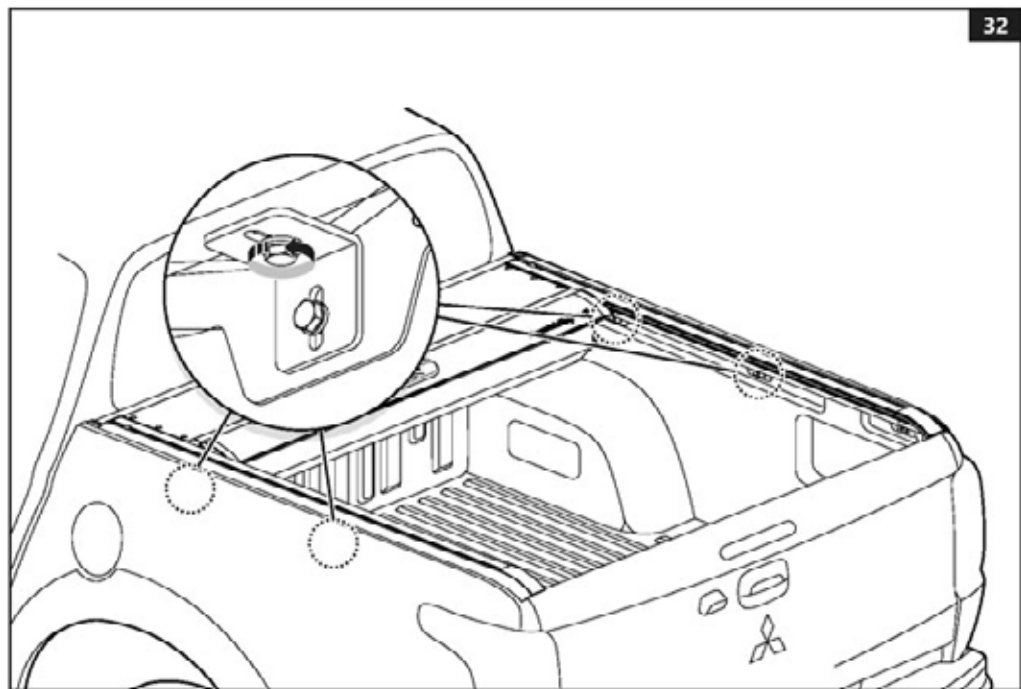


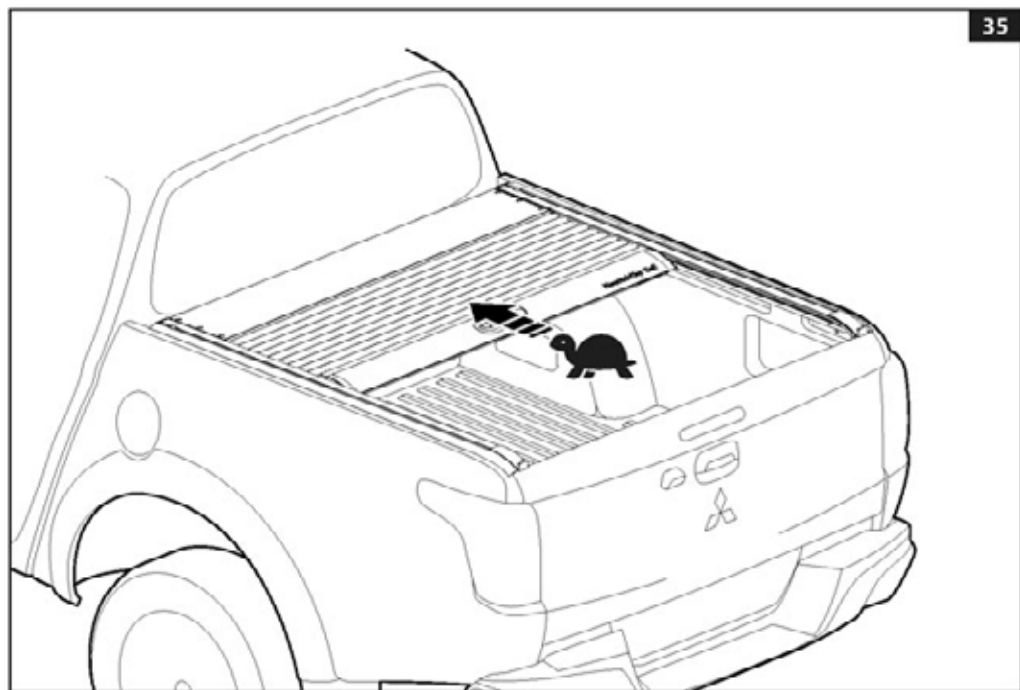
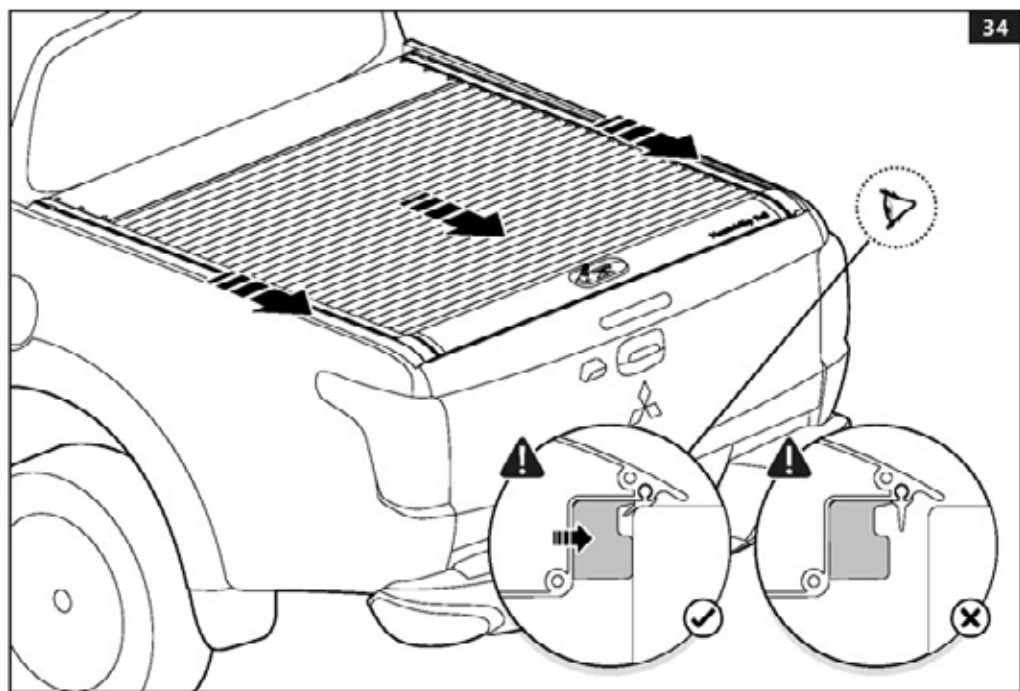


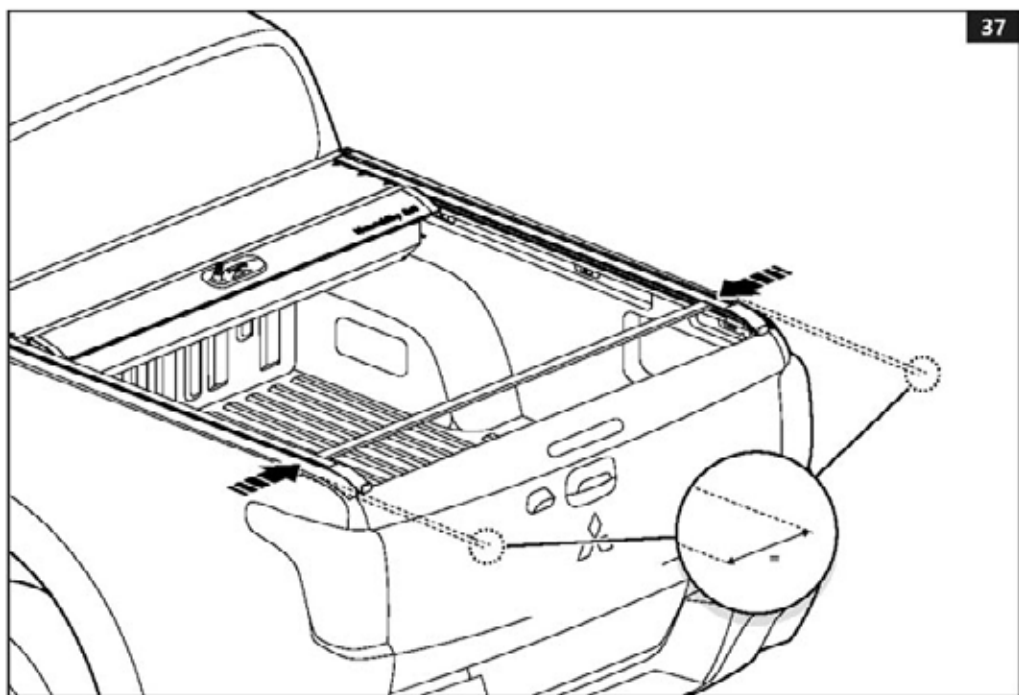
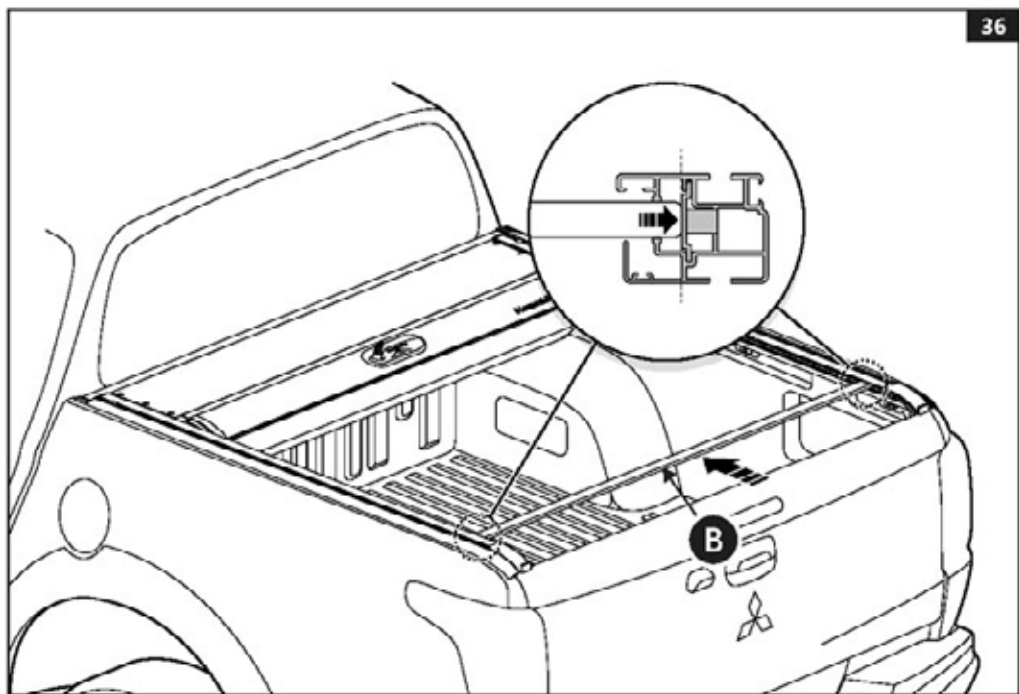


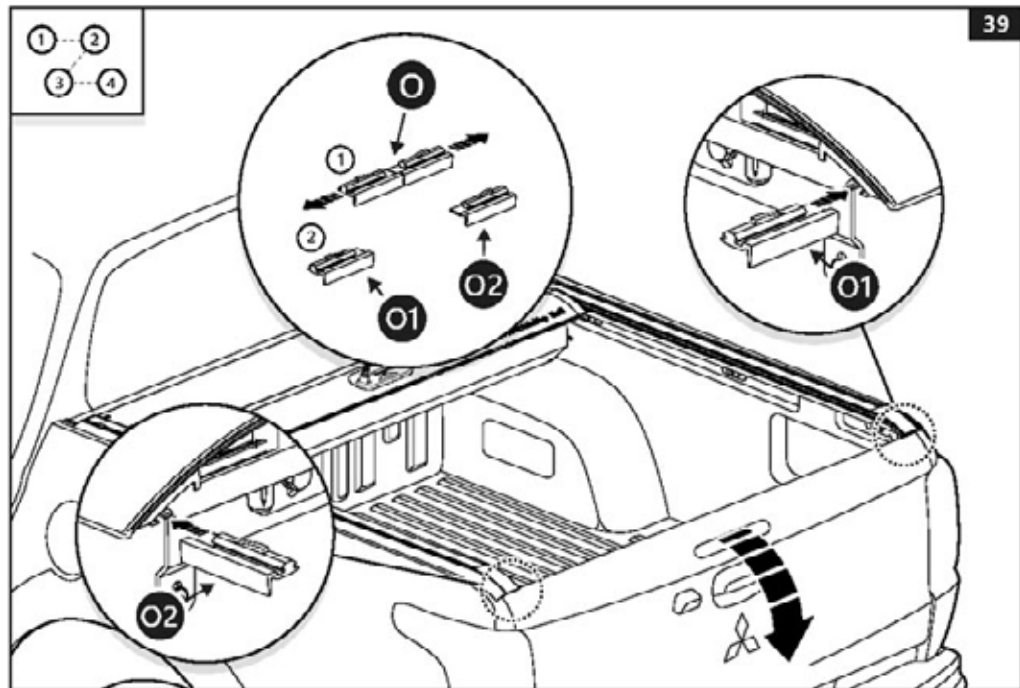
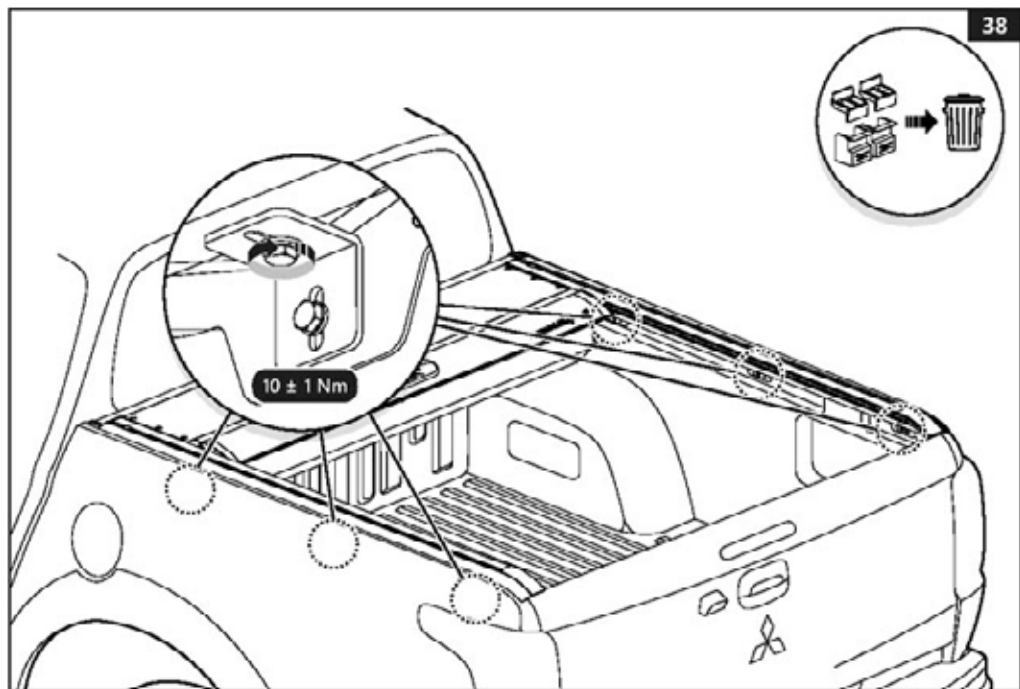


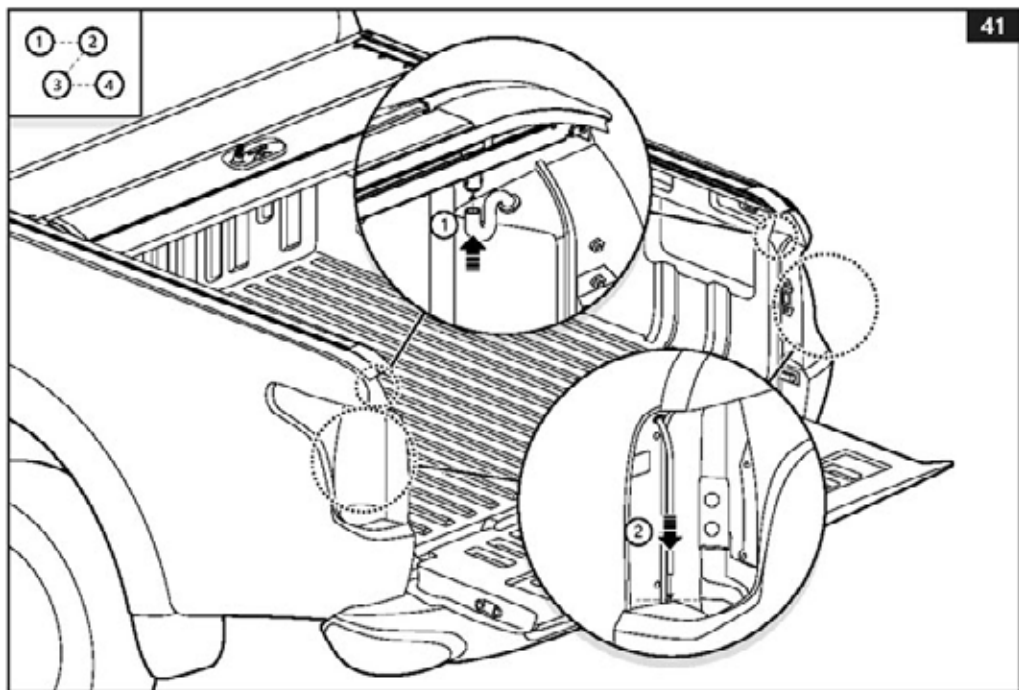
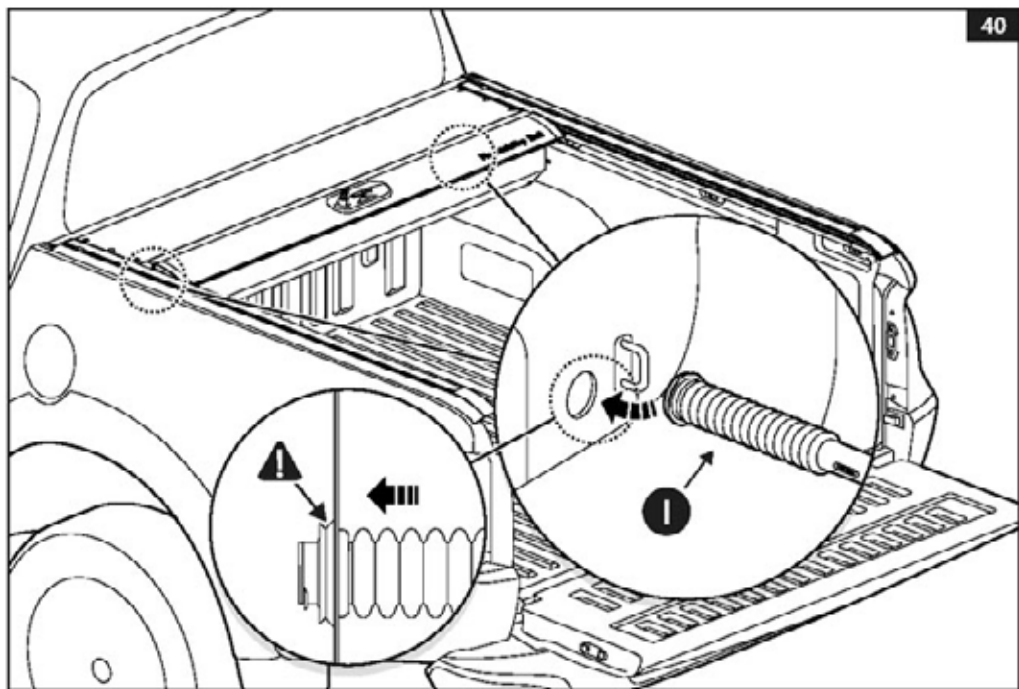


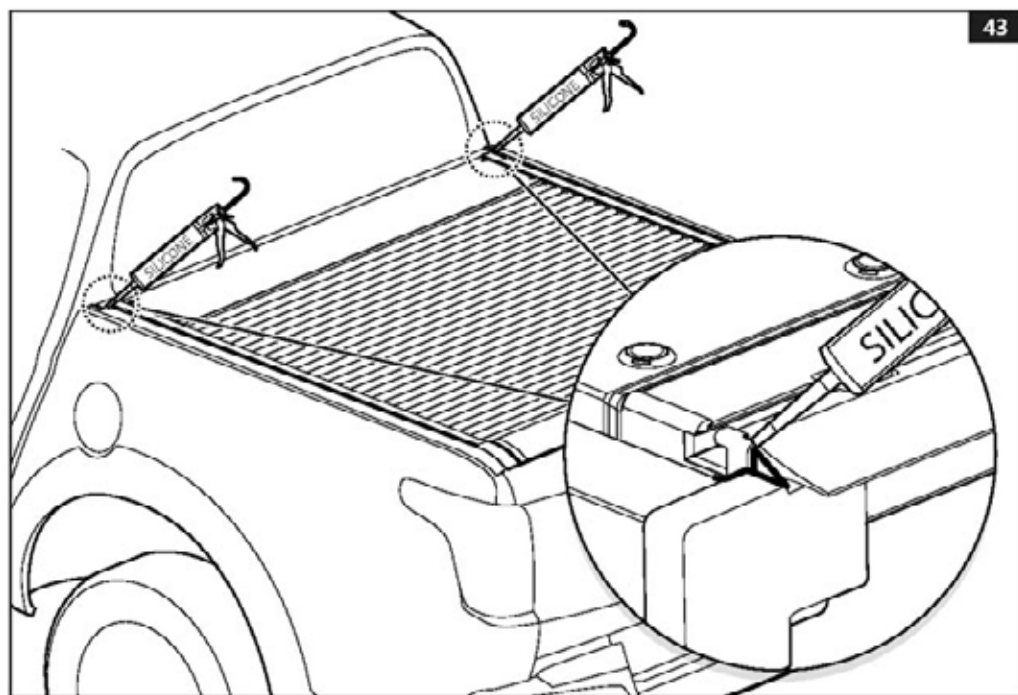
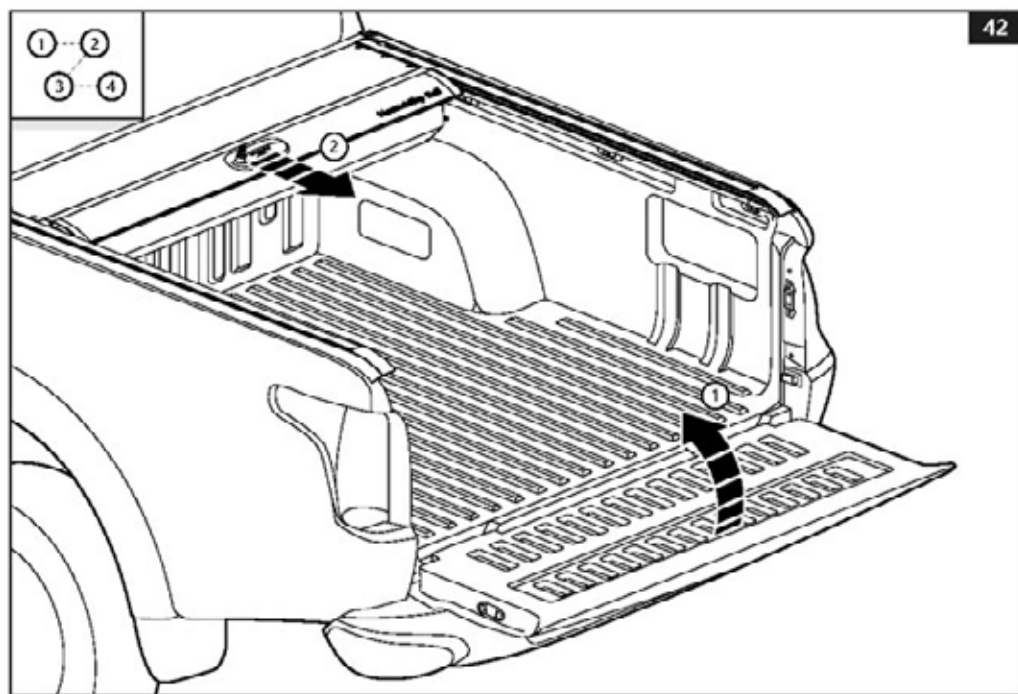


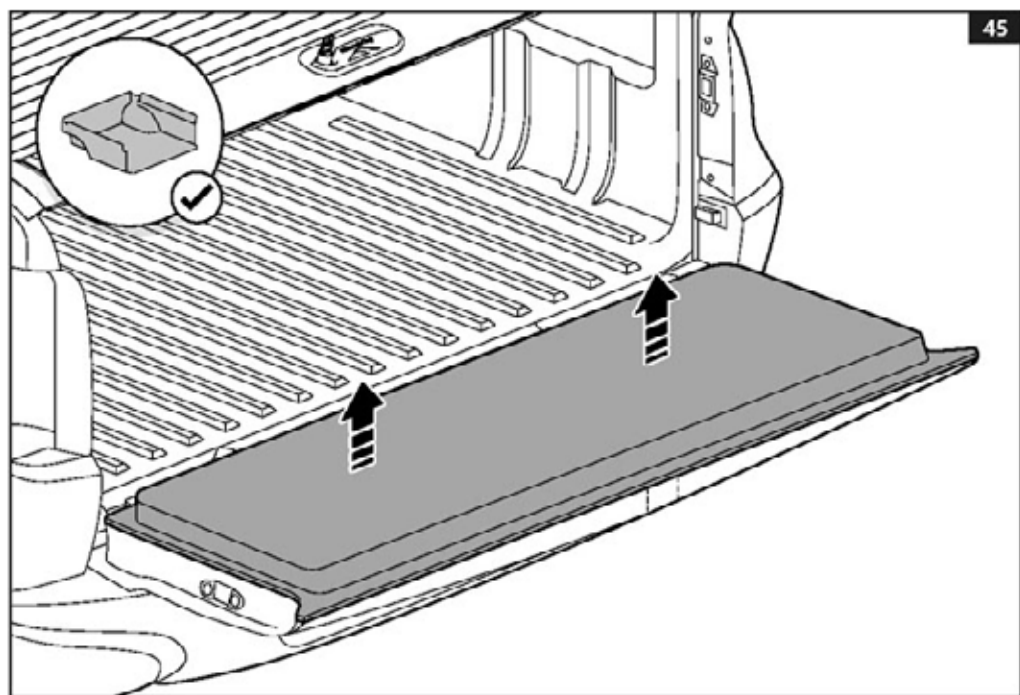
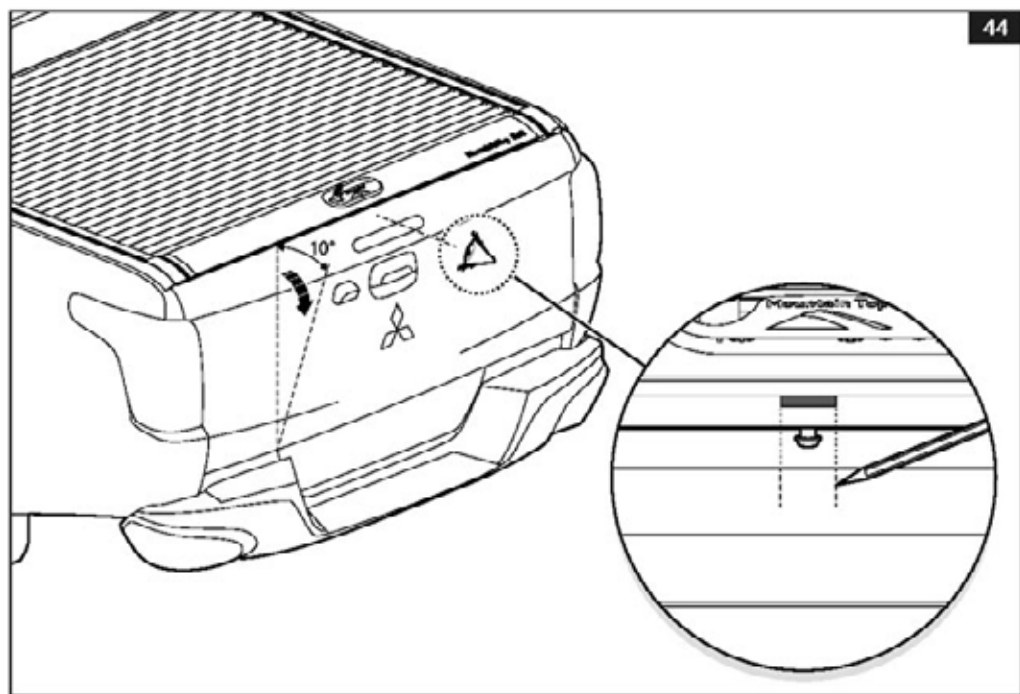


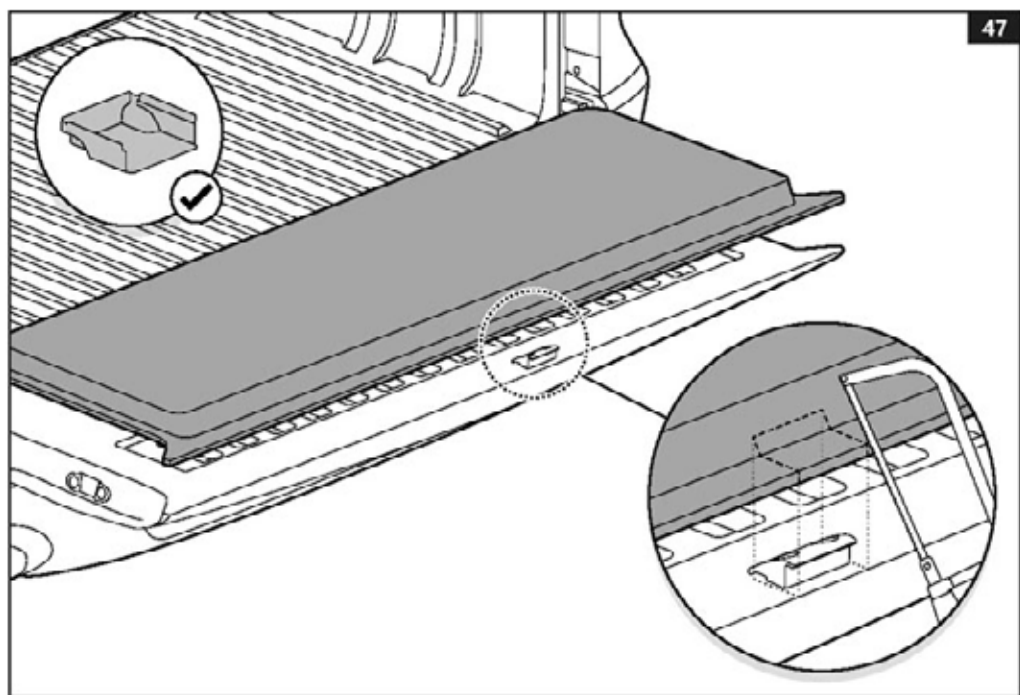
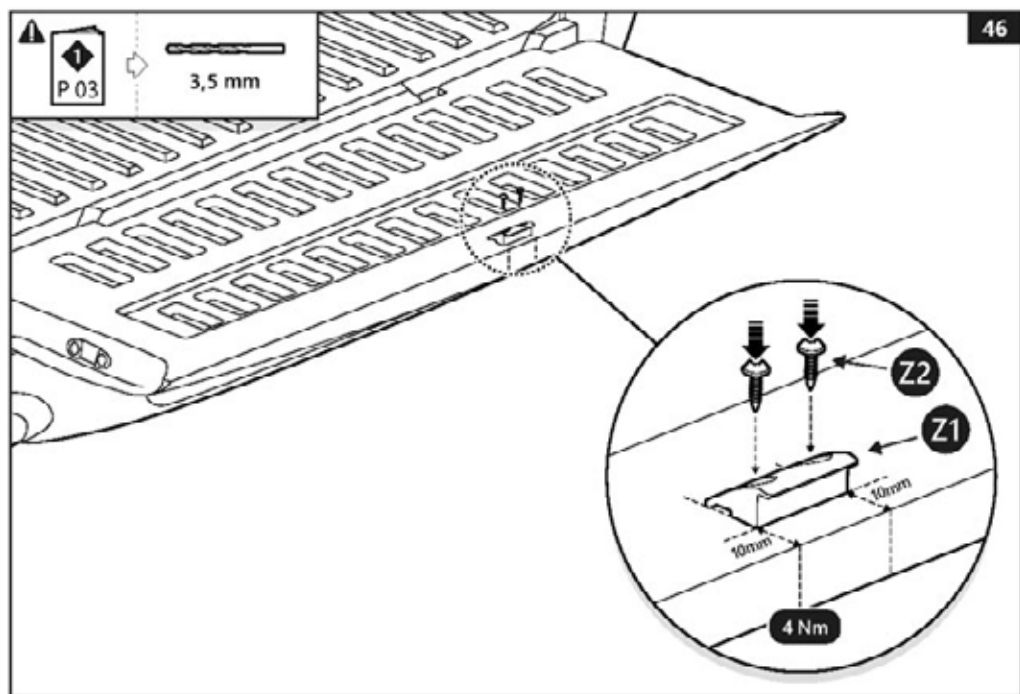


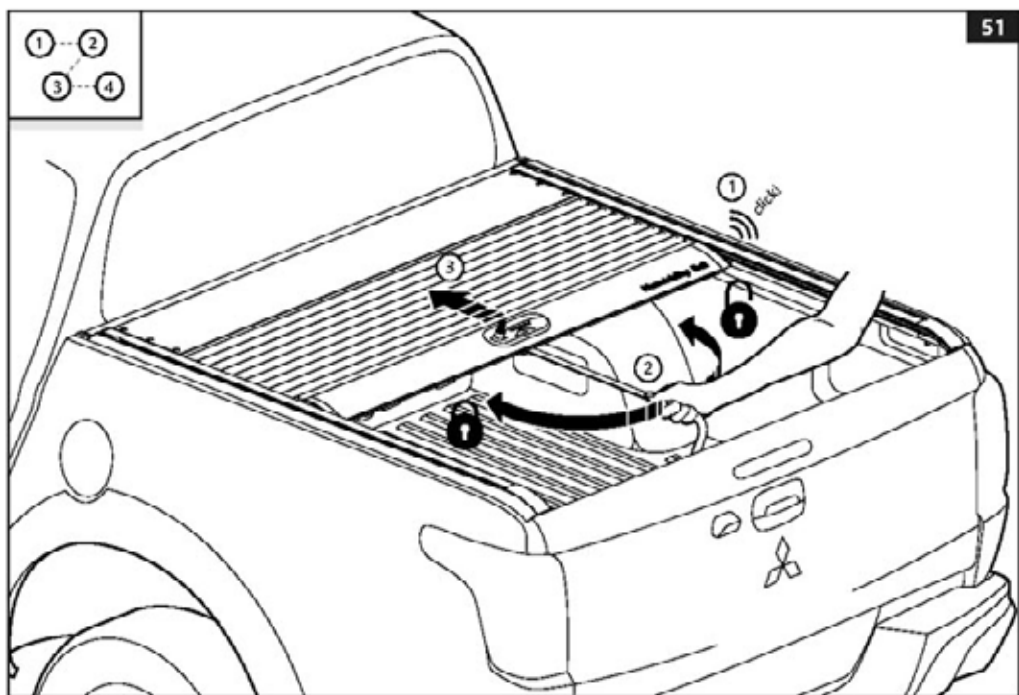
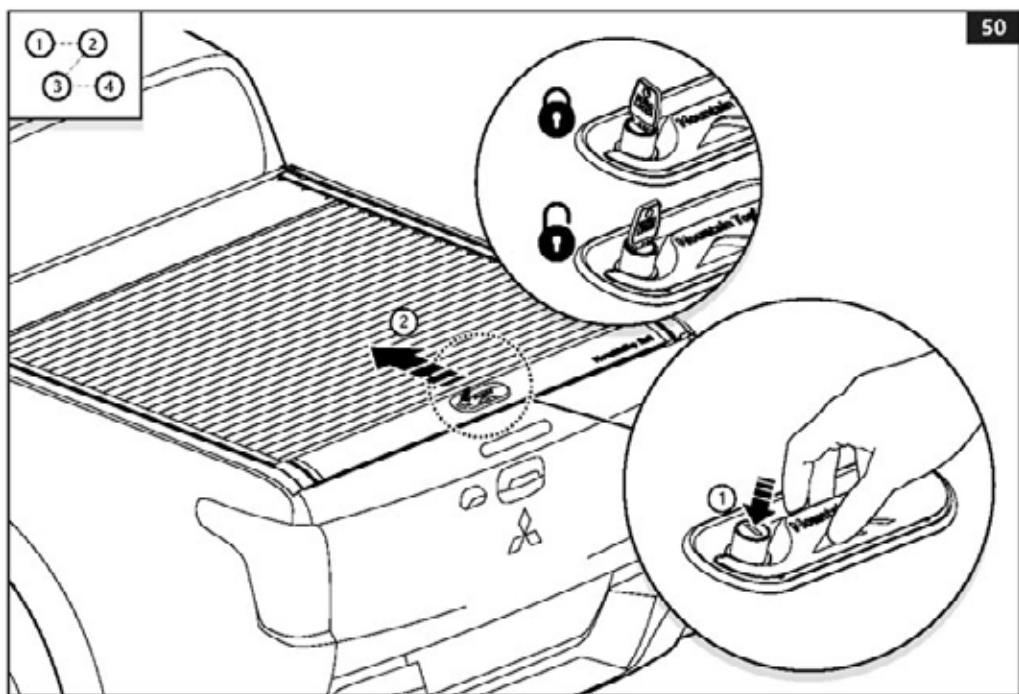


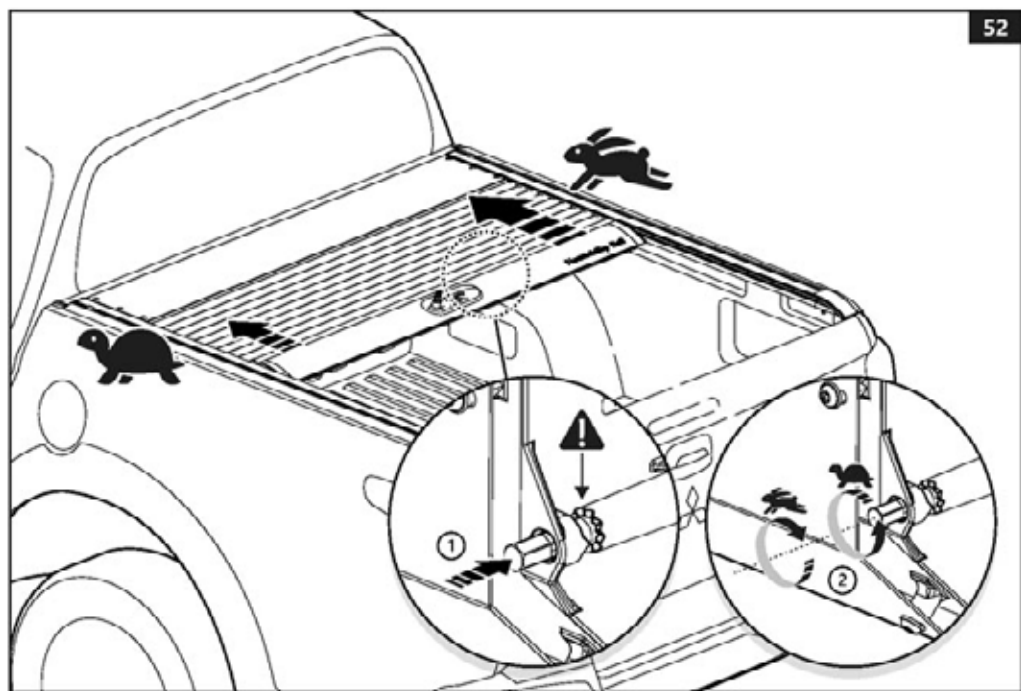














Customer Service	+45 4810 2950 (08:00 - 16:00 CET)
Fax	+45 4810 2960
Support	info@mountaintop.dk
Website	www.mountaintop.dk
Address	Pedersholmparken 10, 3600 Frederikssund, Denmark

PART NUMBER(S)	MODEL / YEAR	CAR TYPE(S)	INSTALLATION TIME	WEIGHT
MTR M90 / MTRA M90	Mitsubishi / 2015 →	Double	2 hour(s)	34 kg
MTR F90	Fiat / 2016 →	Double	2 hour(s)	34 kg

GB Installation manual	S Monteringsanvisning	D Einbauanleitung
SF Asennusohje	E Instrucciones de montaje	CZ Návod k instalaci
F Notice de montage	H Szerelési utasítás	I Istruzioni de montaggio
PL Instrukcja montażu	P Instruções de instalação	GR Οδηγίες Εγκατάστασης
NL Installatie-instructies	RUS Инструкция по установке	DK Monteringsvejledning
TR Montaj Talimatı	N Monteringsvejledning	RO Instrucțiuni de instalare