

Mountain Top® Roll

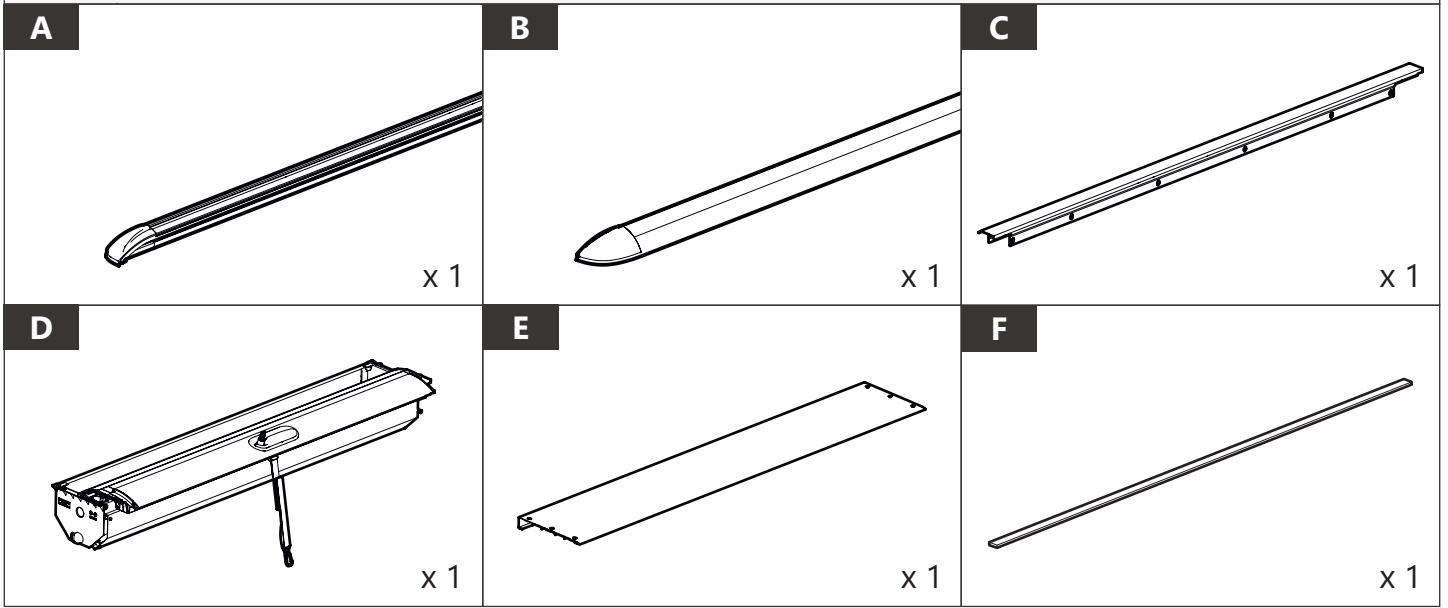
Installation manual



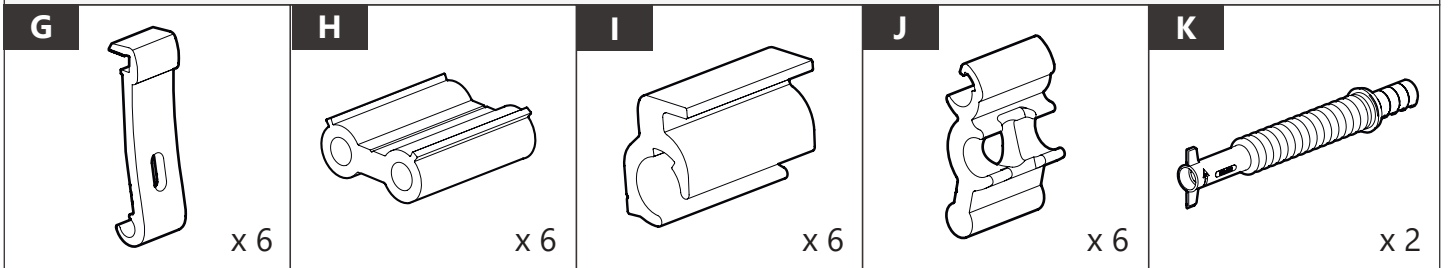
DOWNLOAD PDF



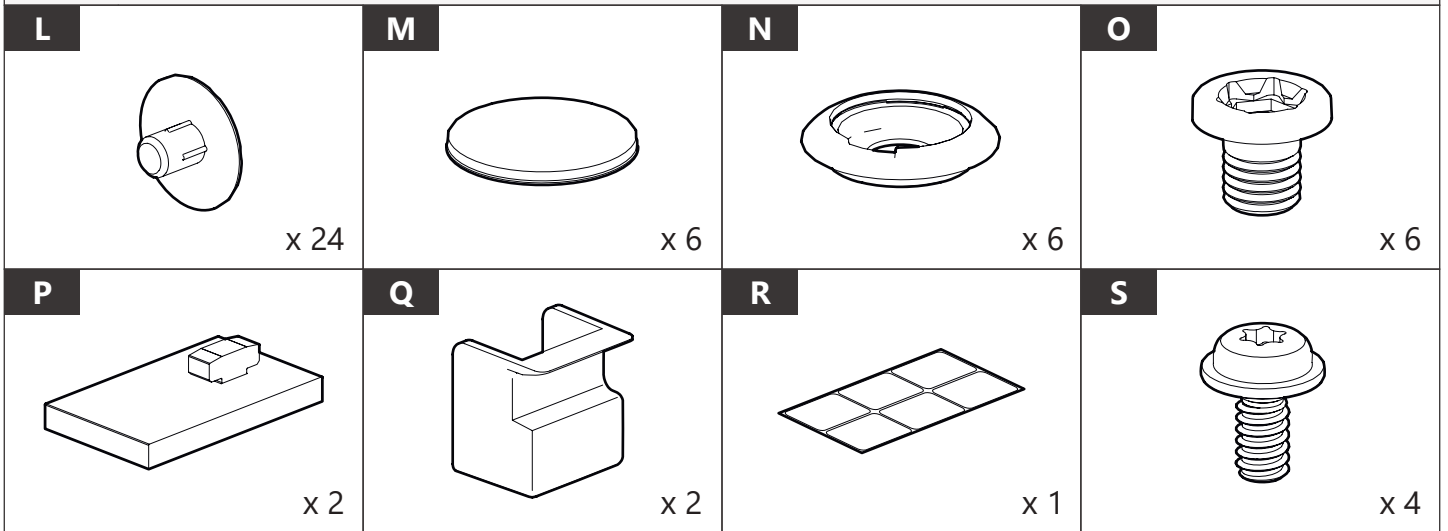
Parts


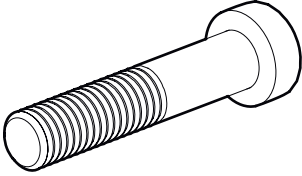
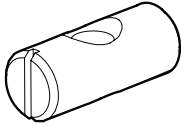




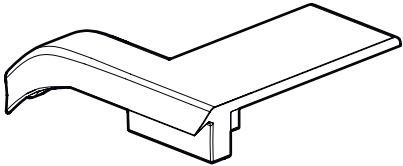
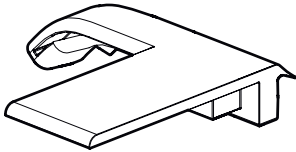
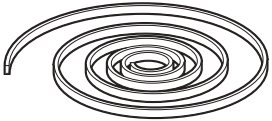
Kit


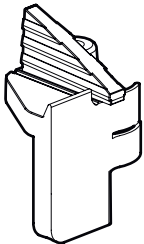
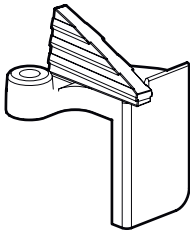
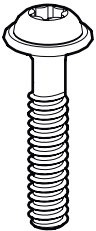




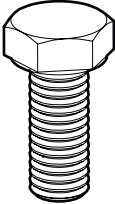
Kit


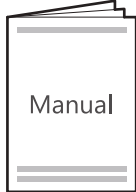



 Kit		
T  x 6	U  x 6	V  x 6

 Kit		
W1  x 1	W2  x 1	X  x 1

 Kit		
Y2  x 1	Y2  x 1	Z  x 2

 Kit	
A2  x 6	B2  x 6

 Manual(s)	
 Manual x 1	 TÜV x 1

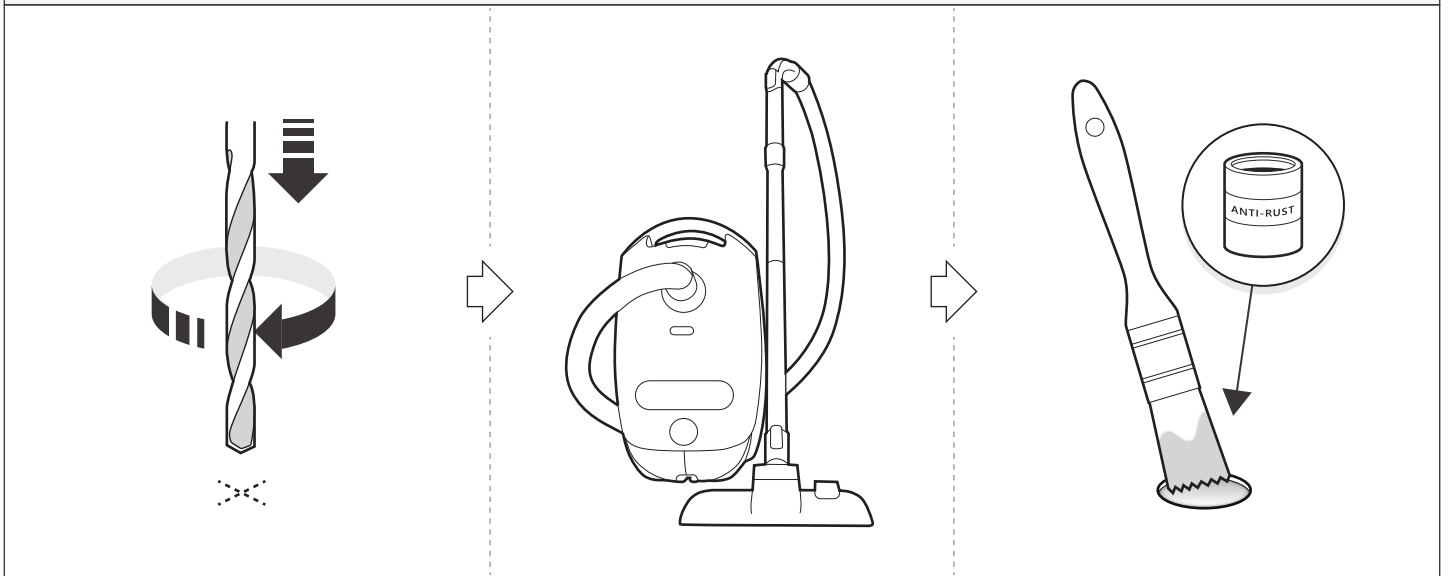


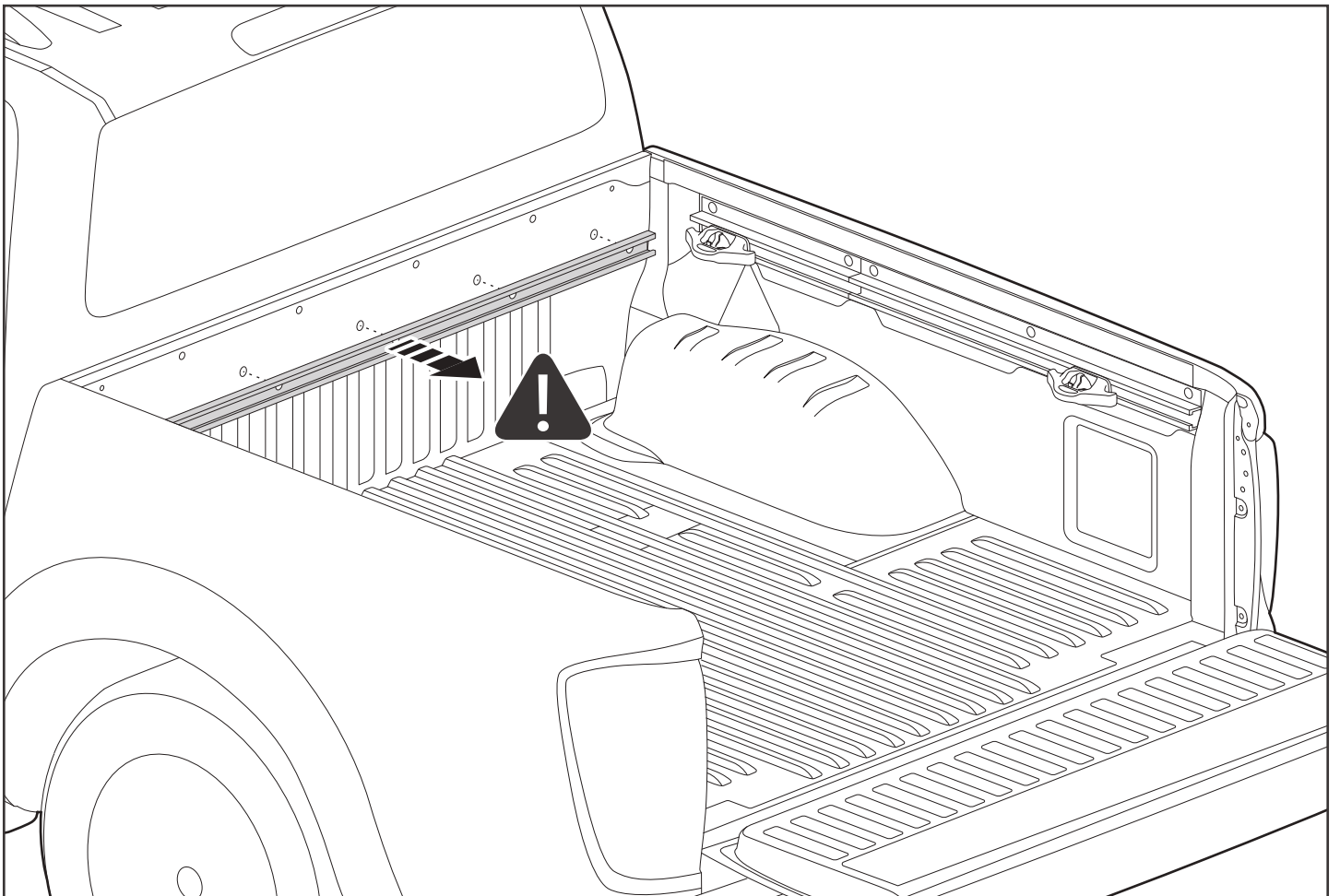
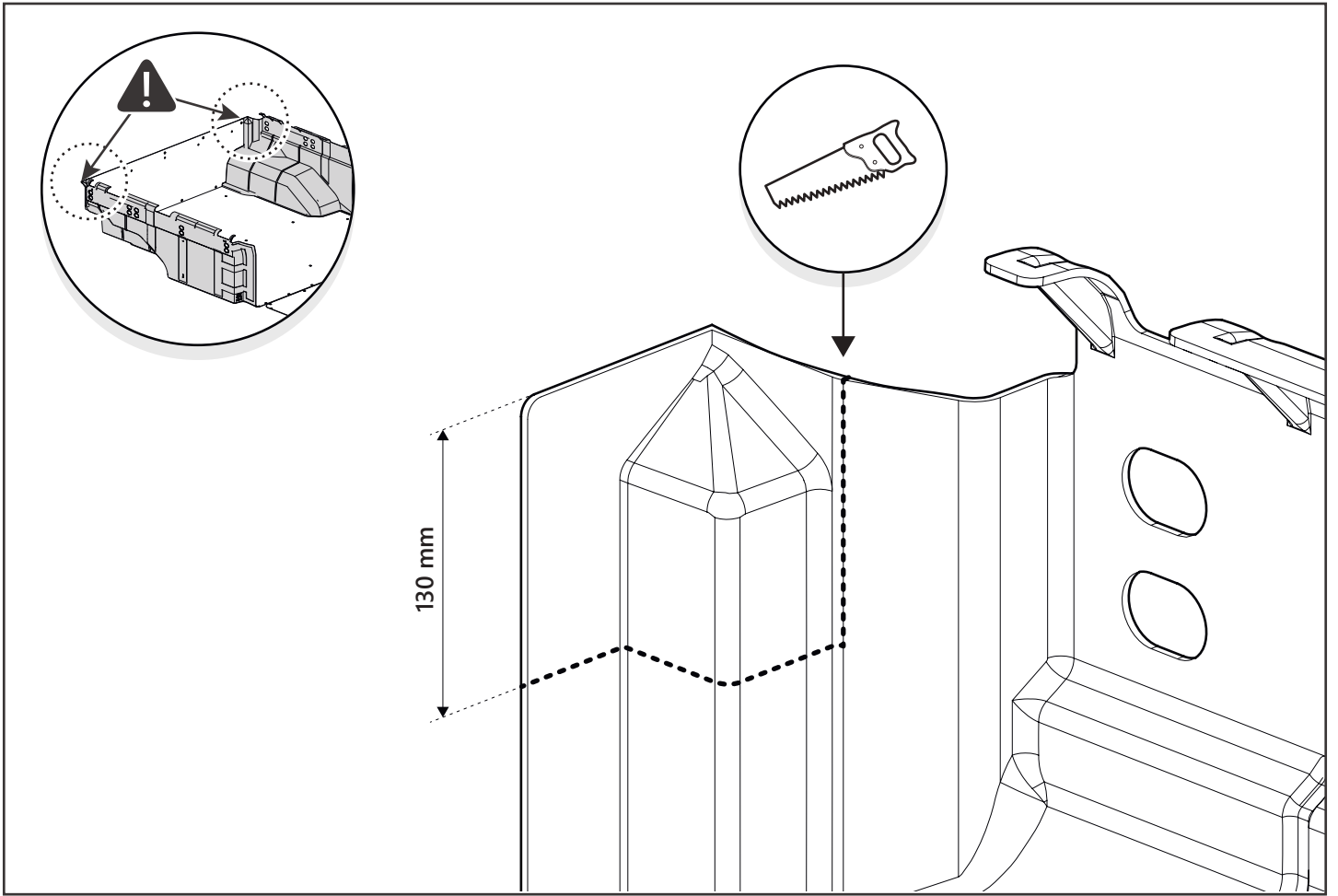
Tools and materials needed

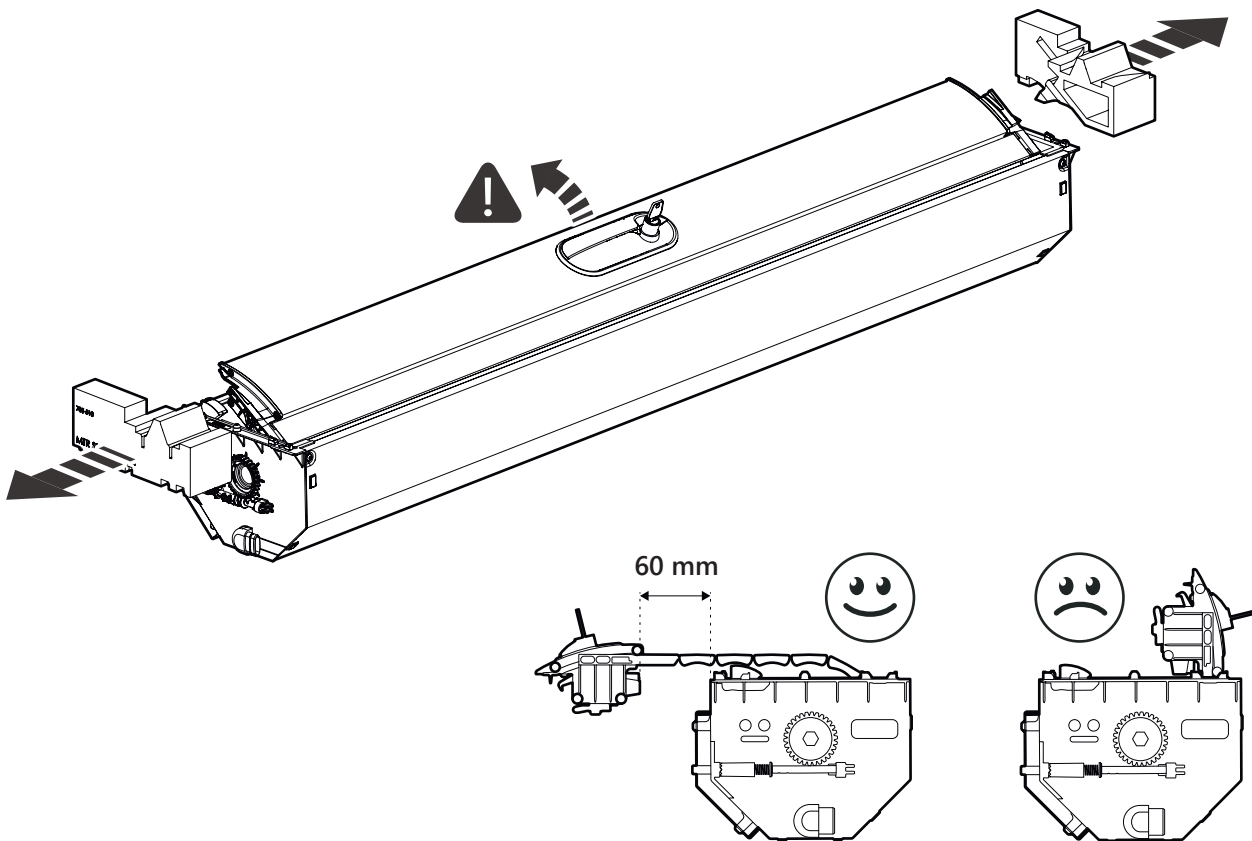
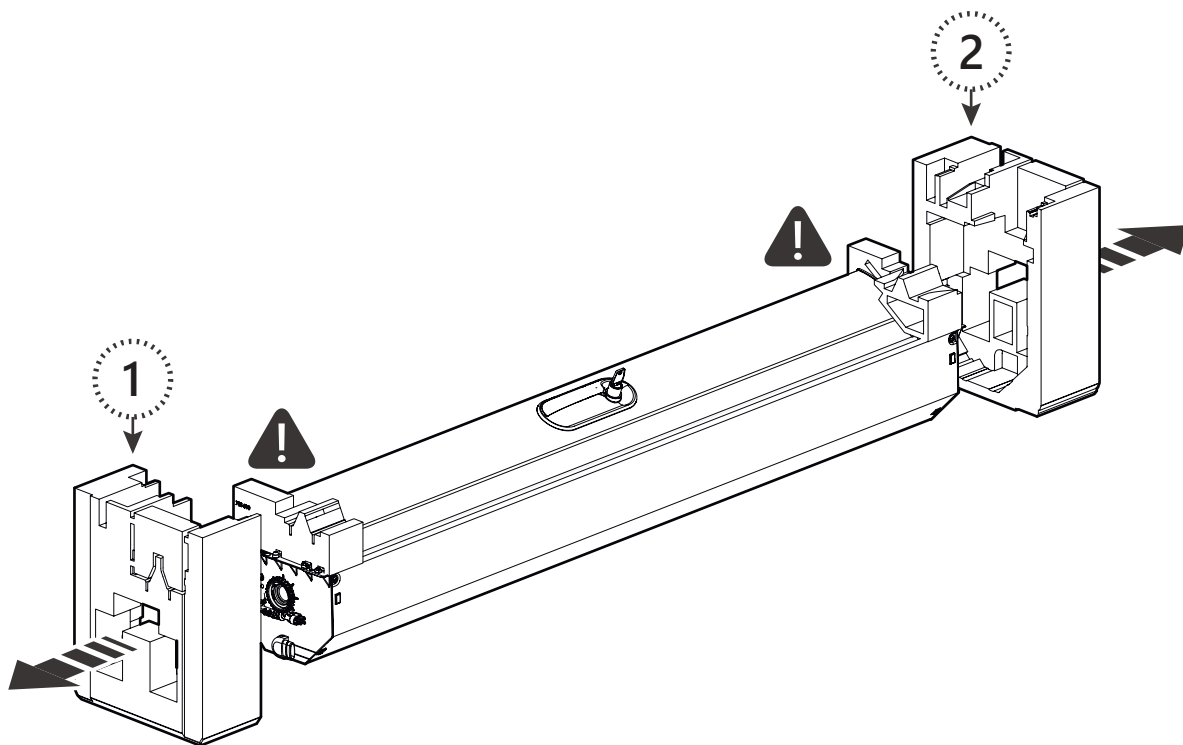
<p>10 mm Ø 24 mm</p>		<p>1 - 25 Nm</p> <ul style="list-style-type: none">13 mm5 mmT15, T20, T30	<p>ANTI-RUST</p> <p>Rust protection Rostschutzmittel Anti-rouille Anti roest</p>		

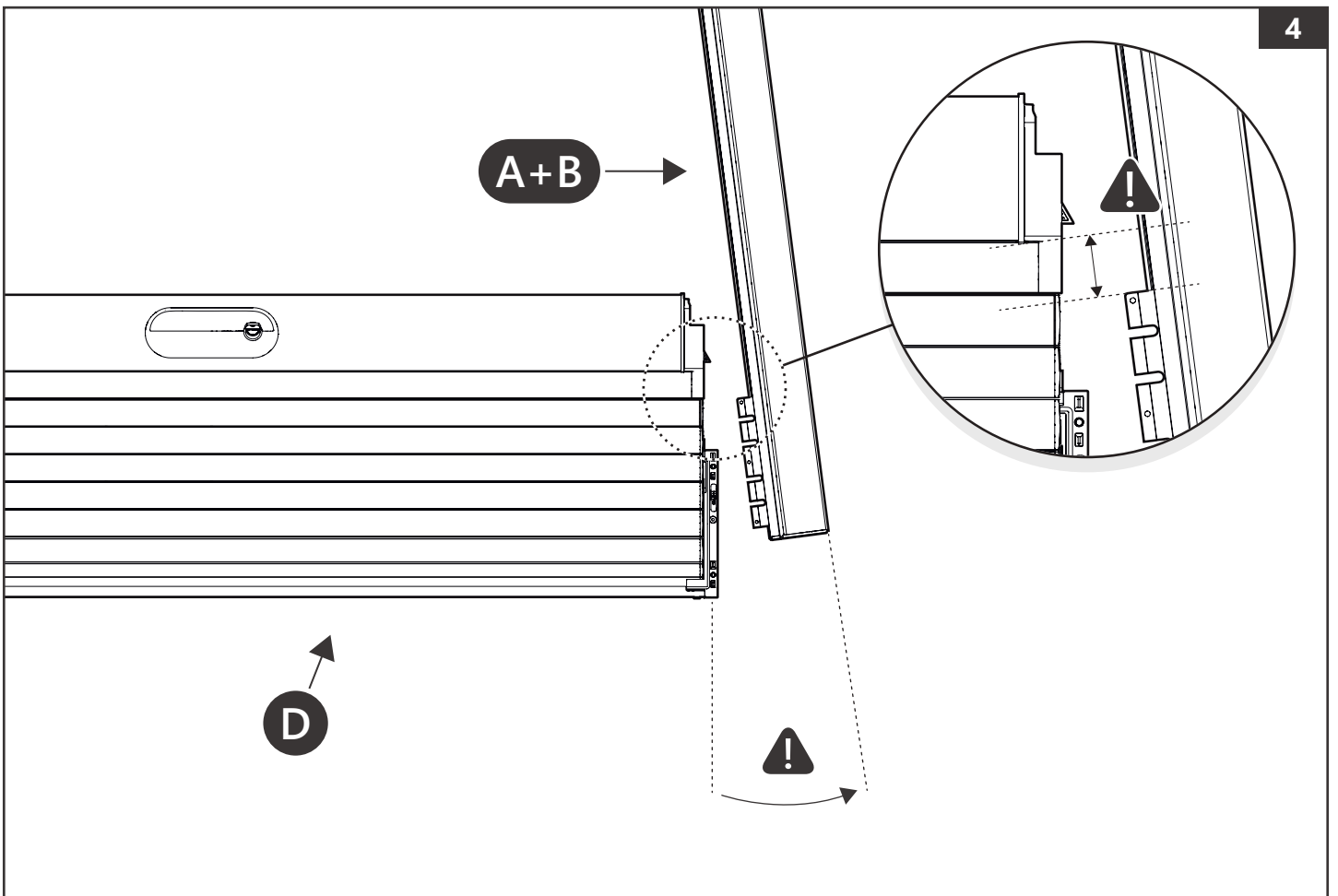
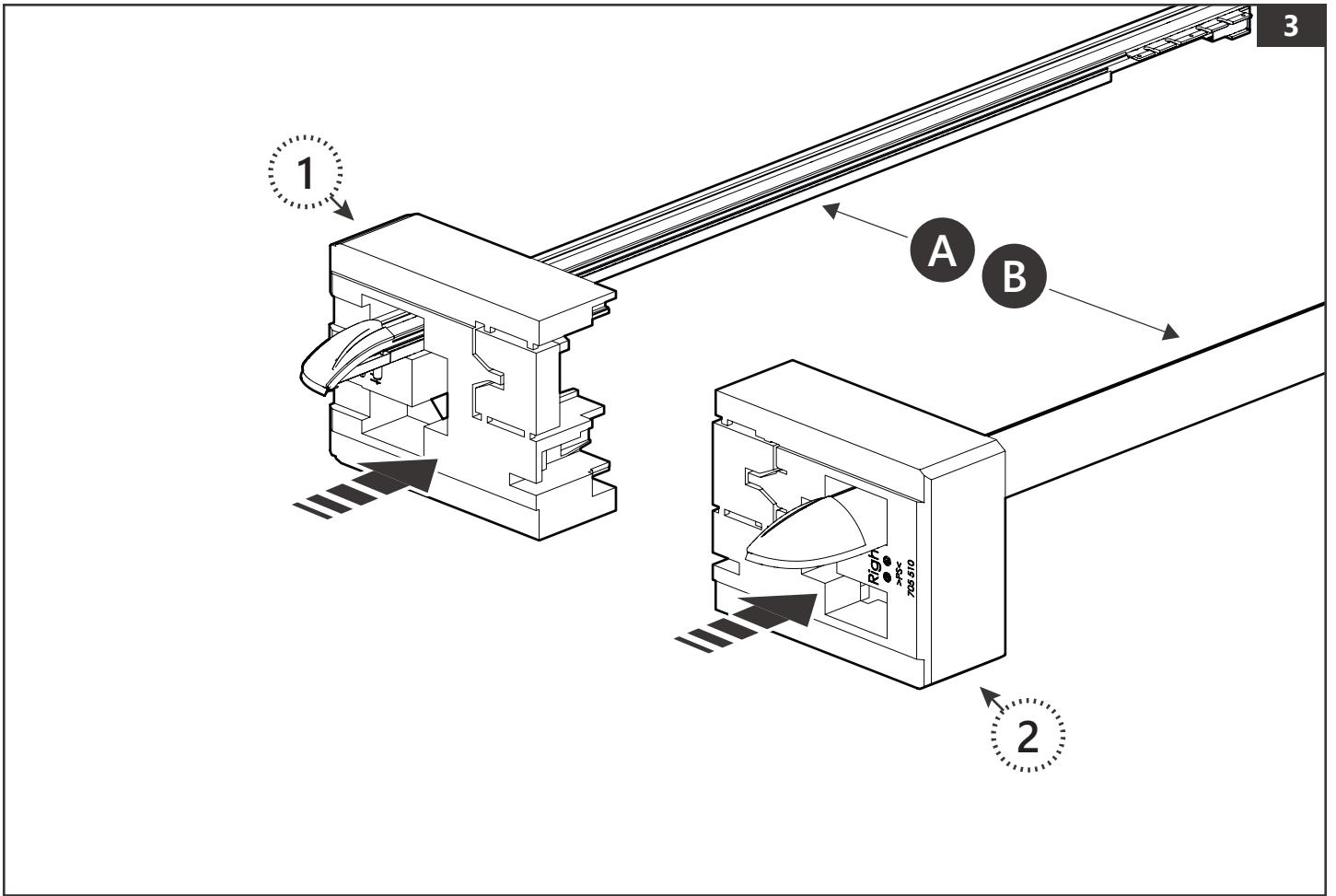
1

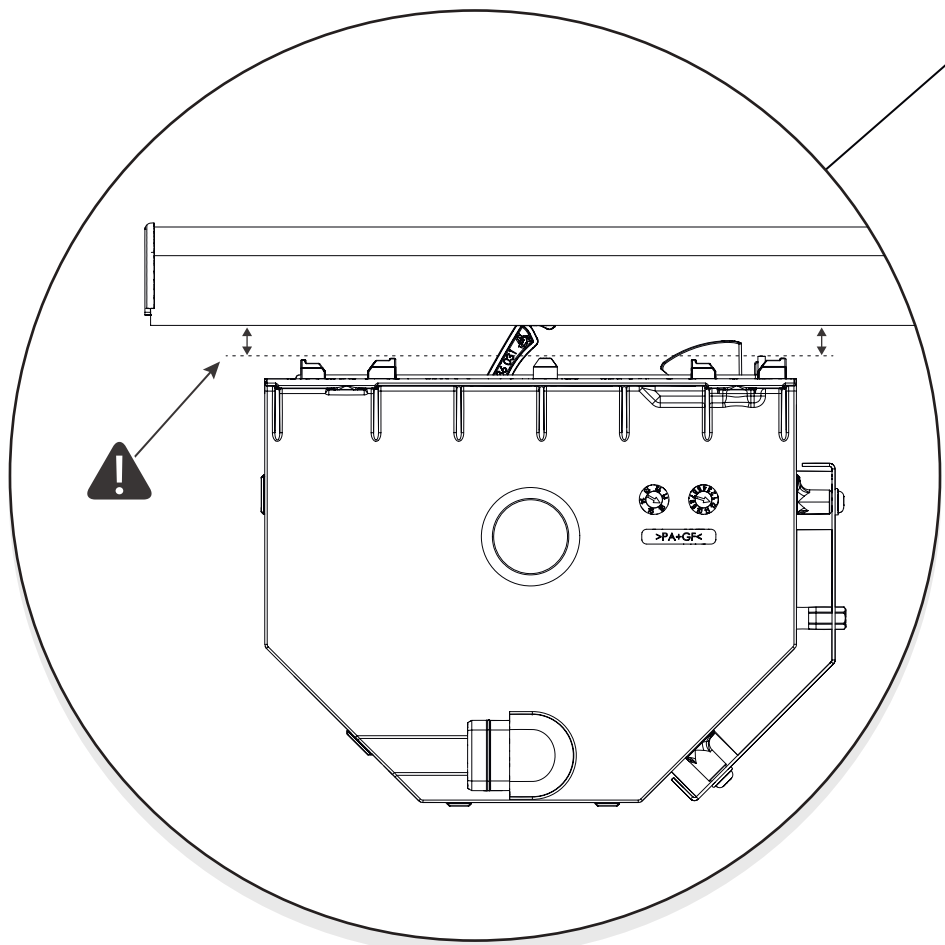
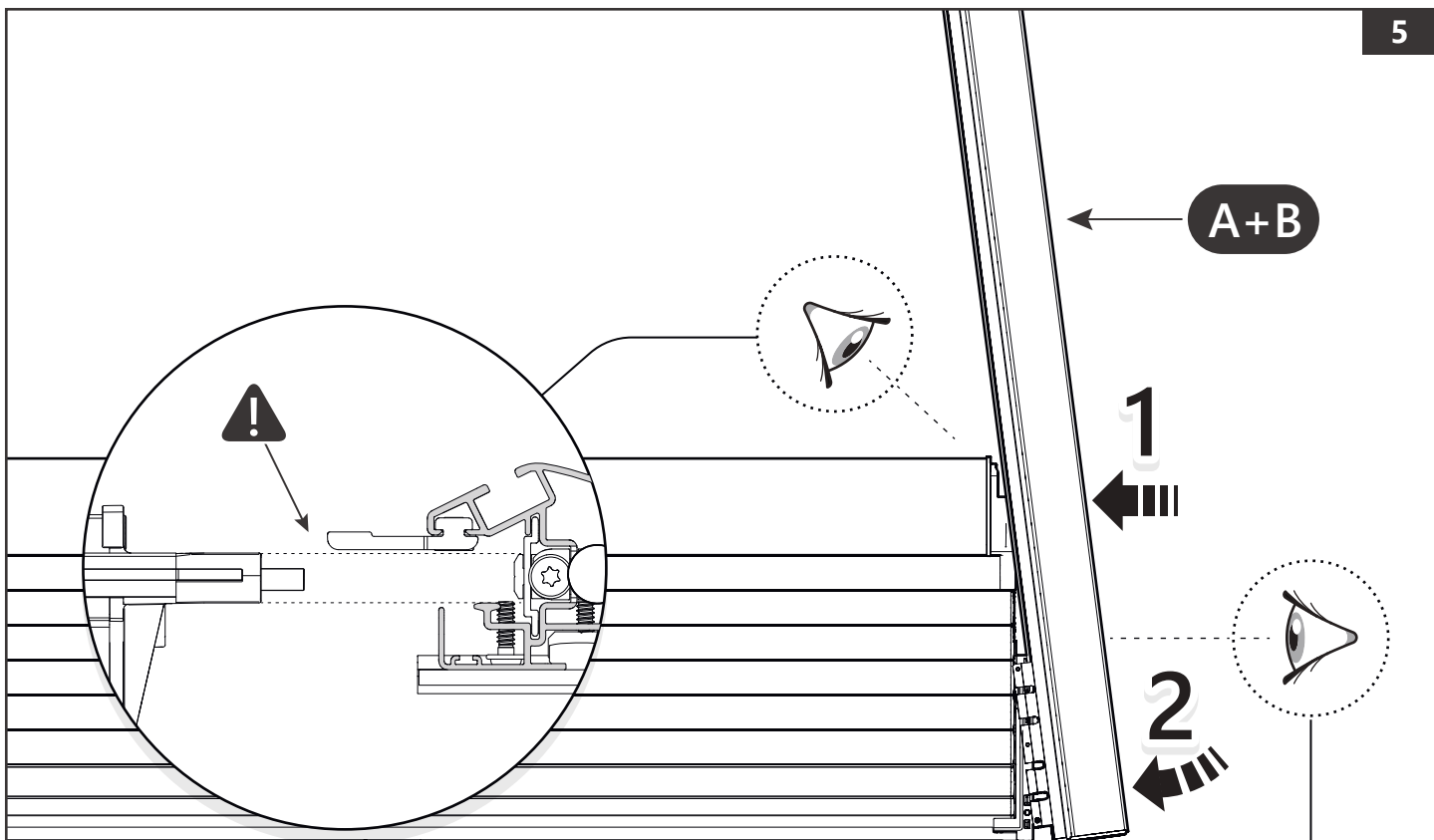
Applying rust protection

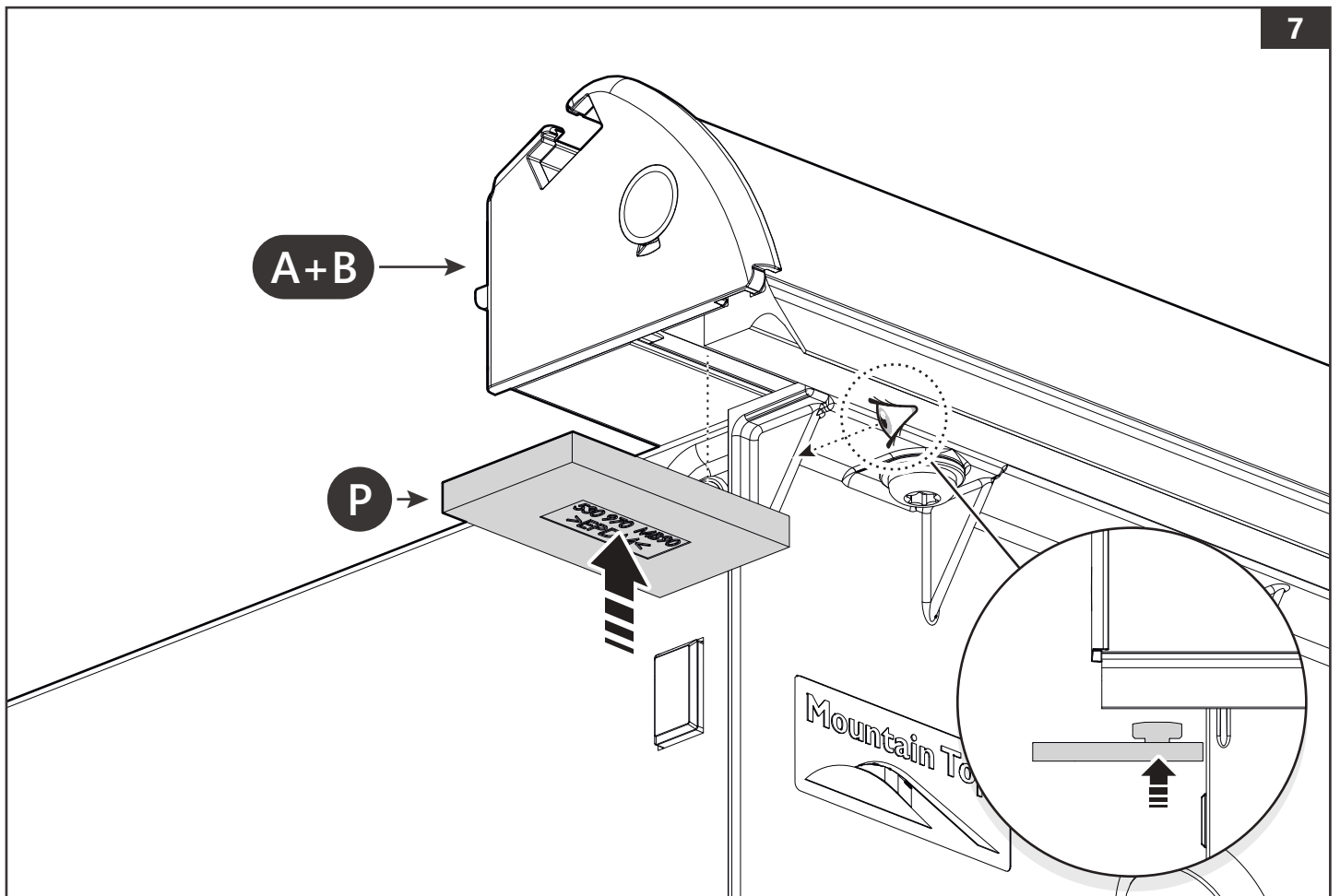
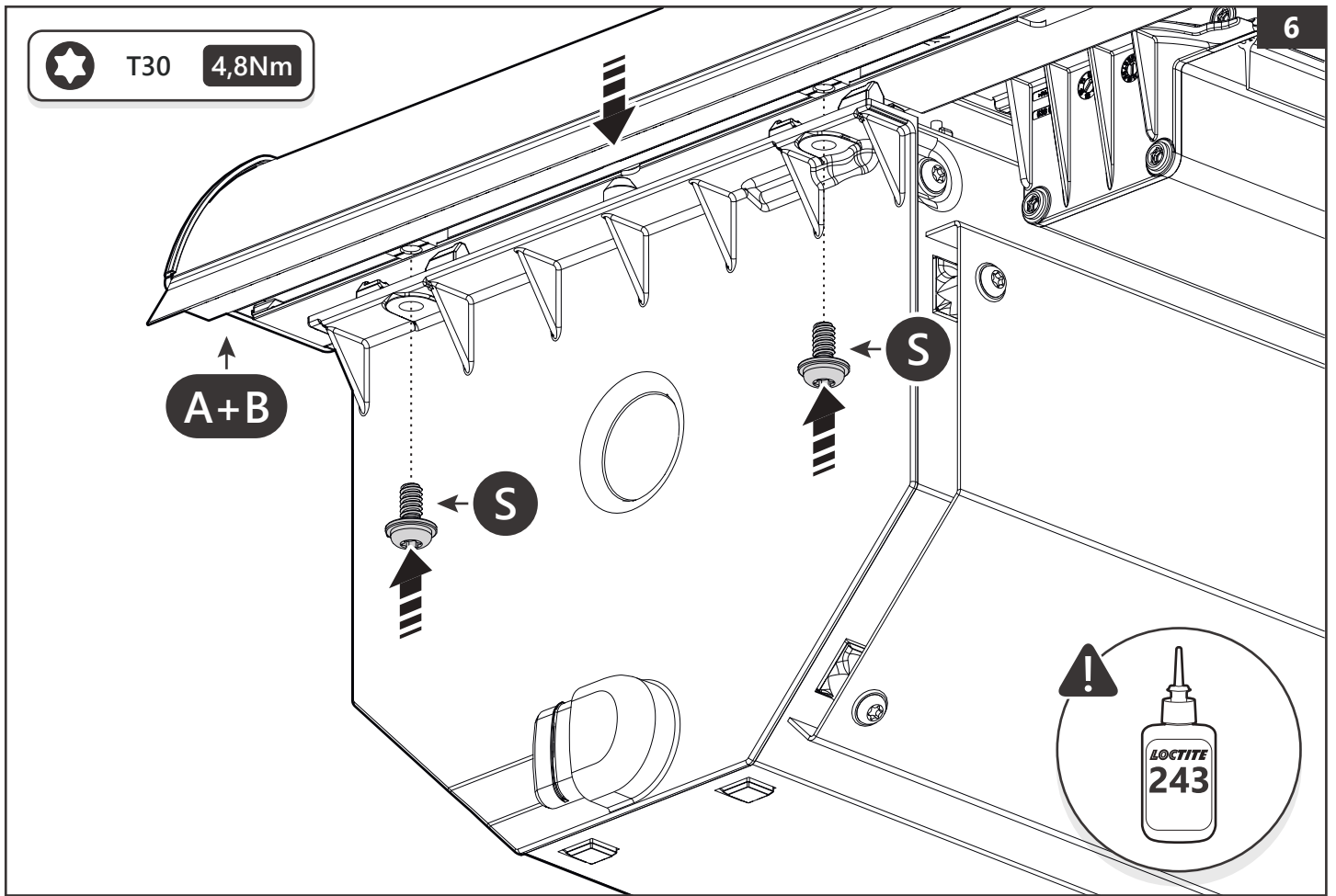


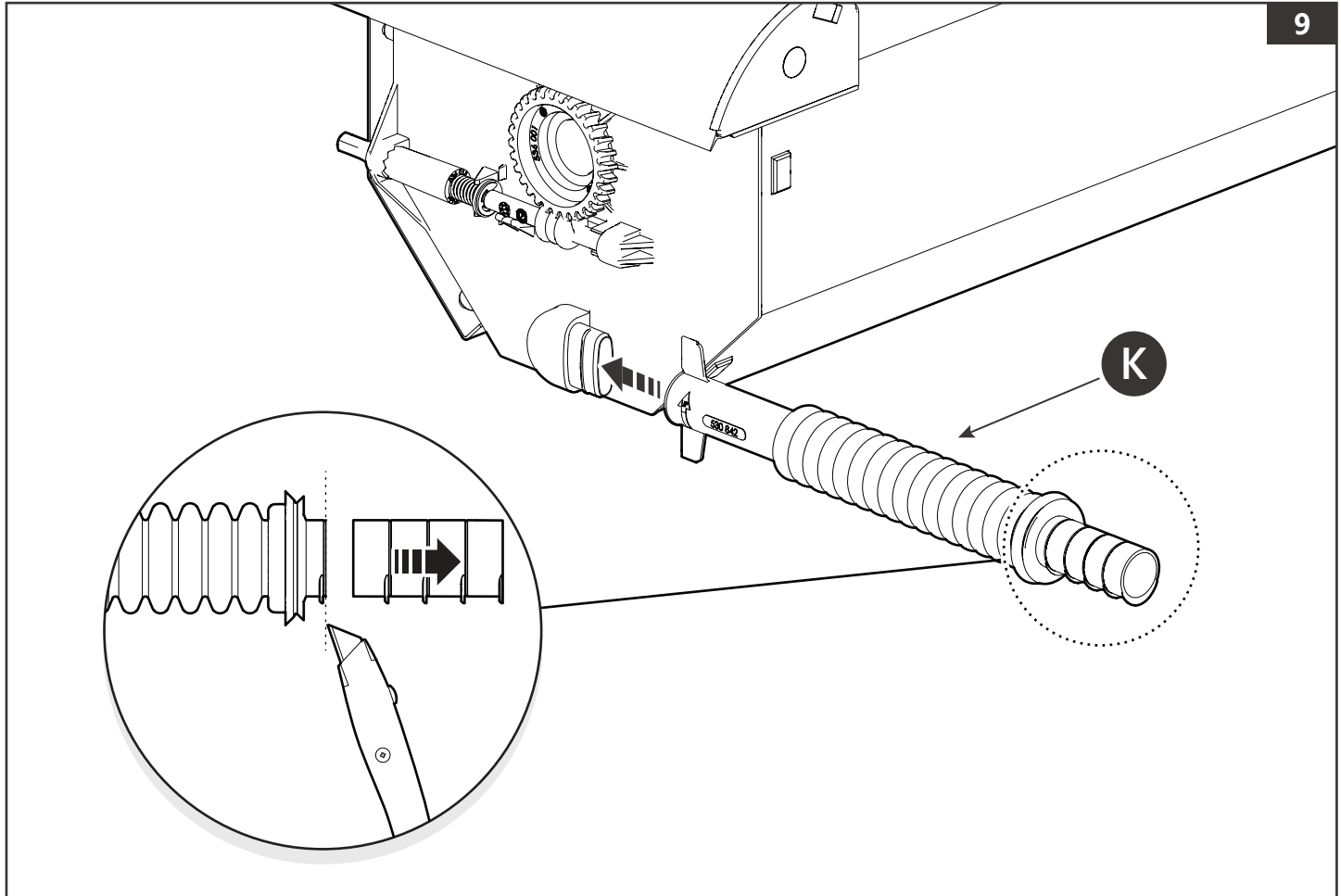
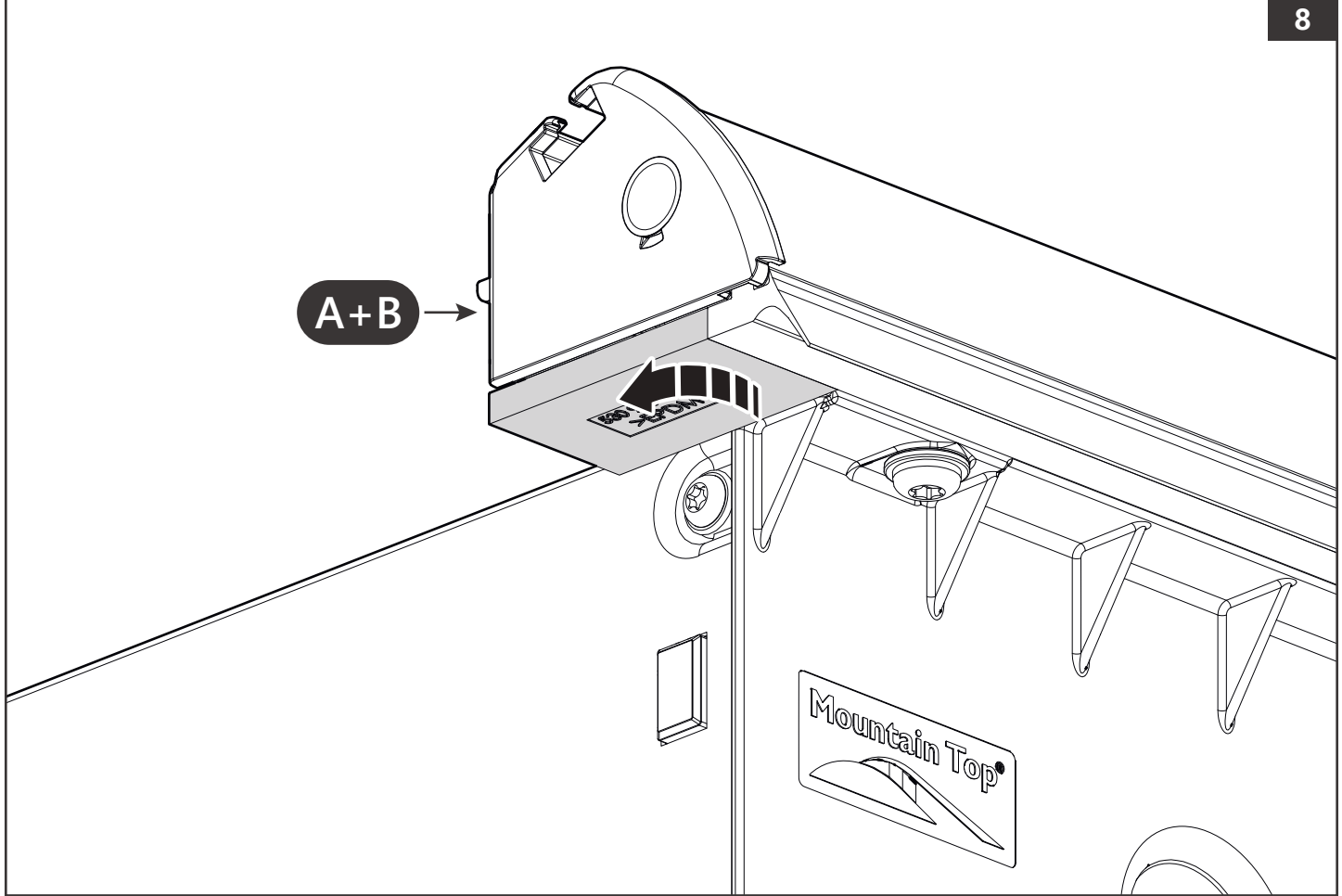


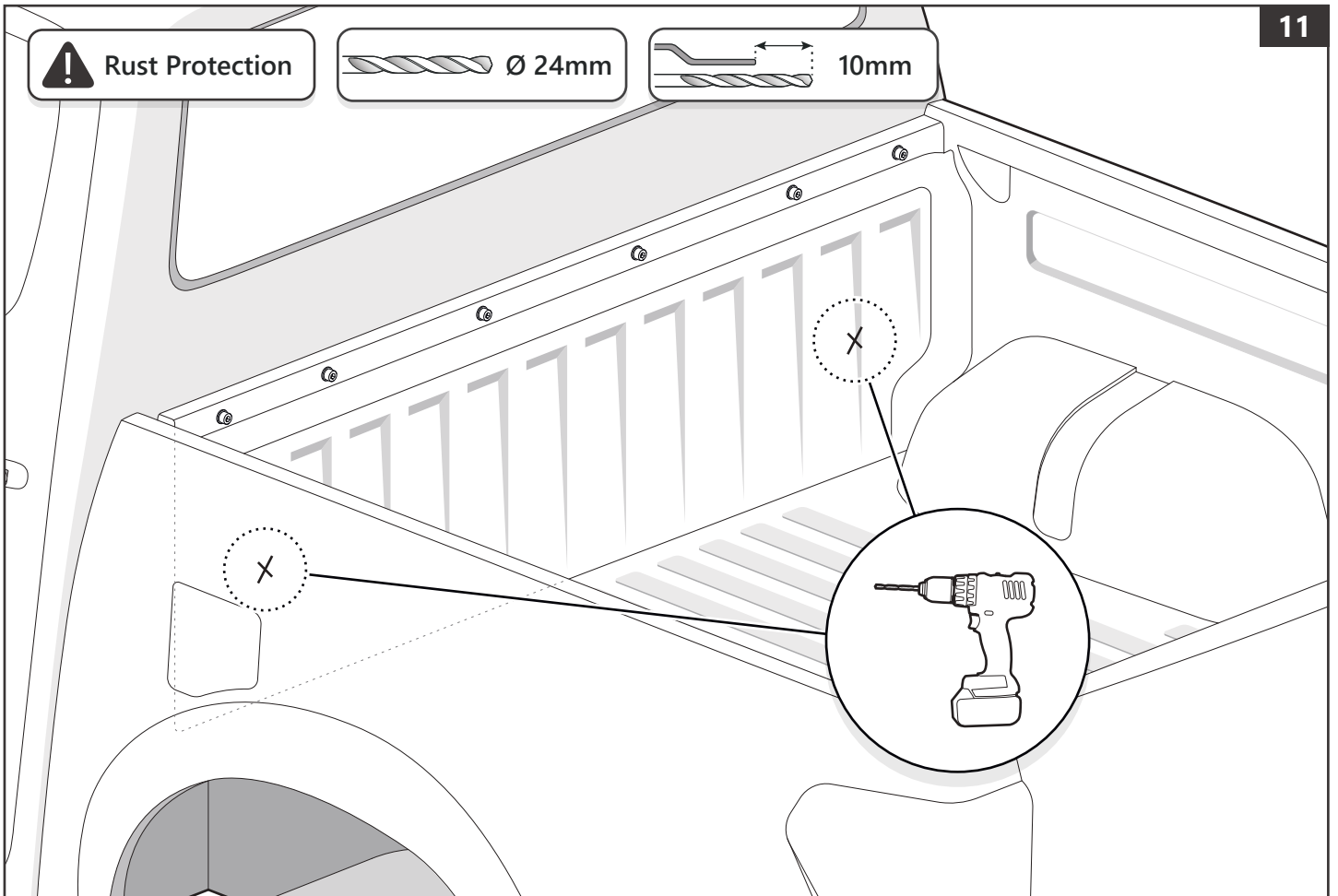
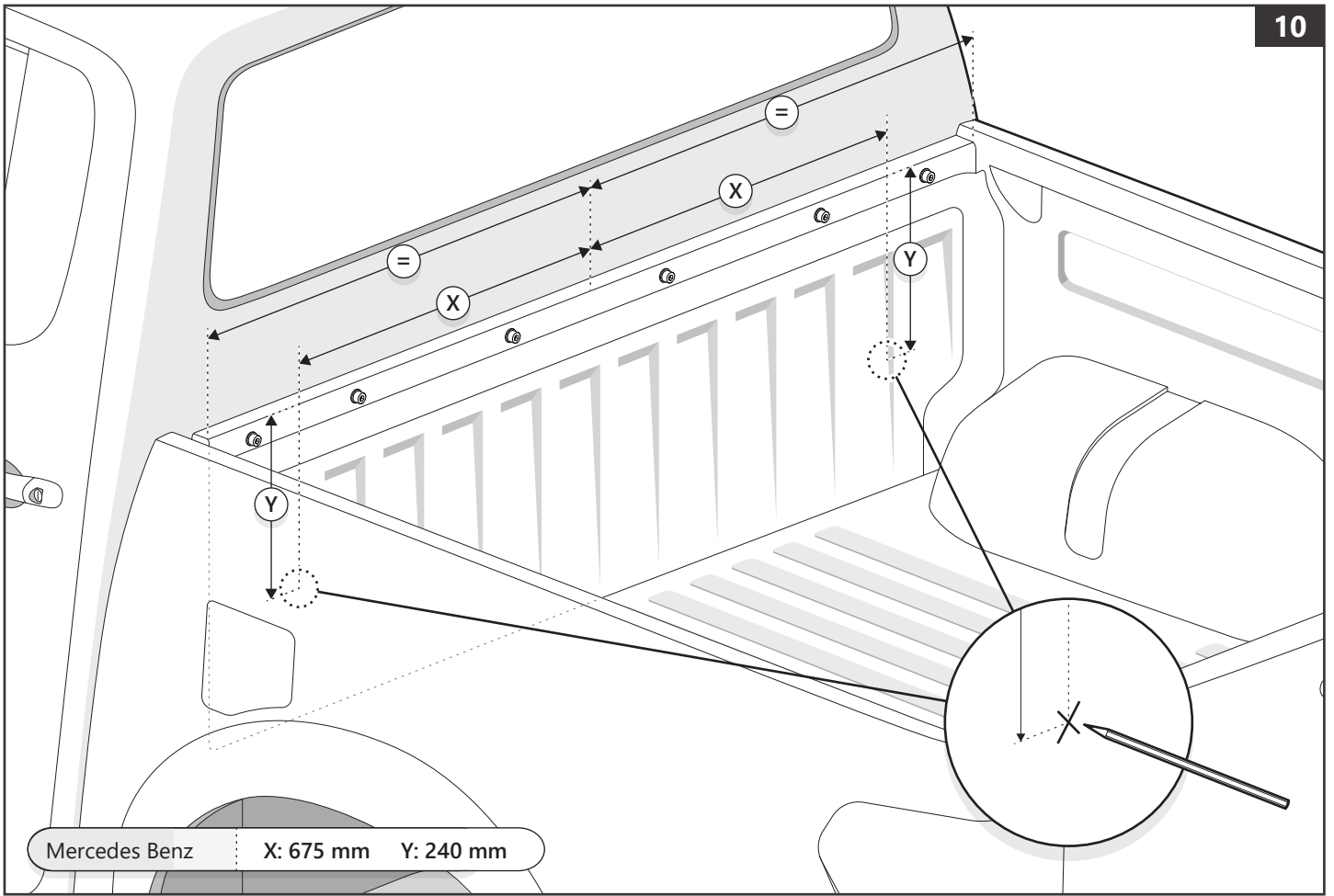


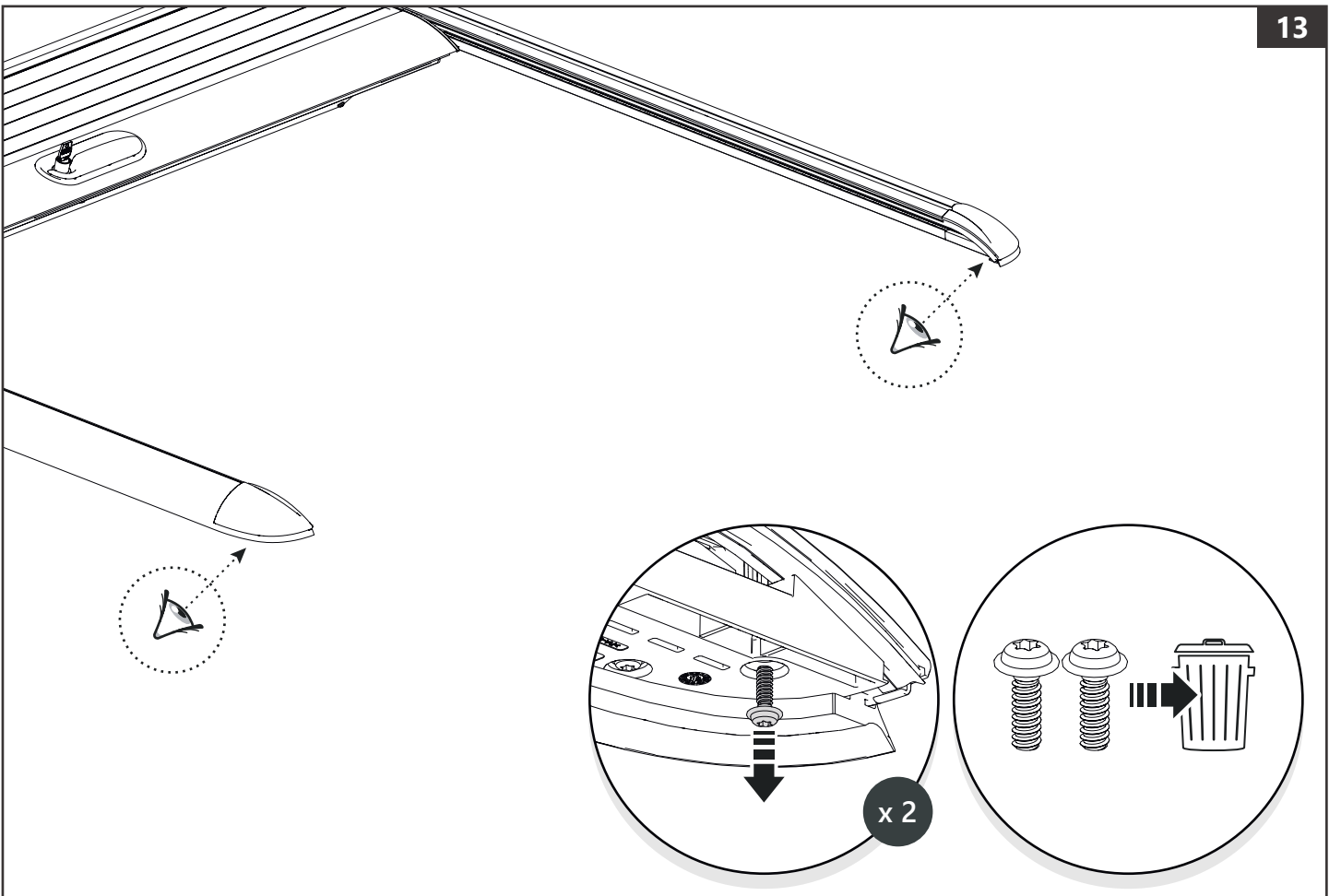
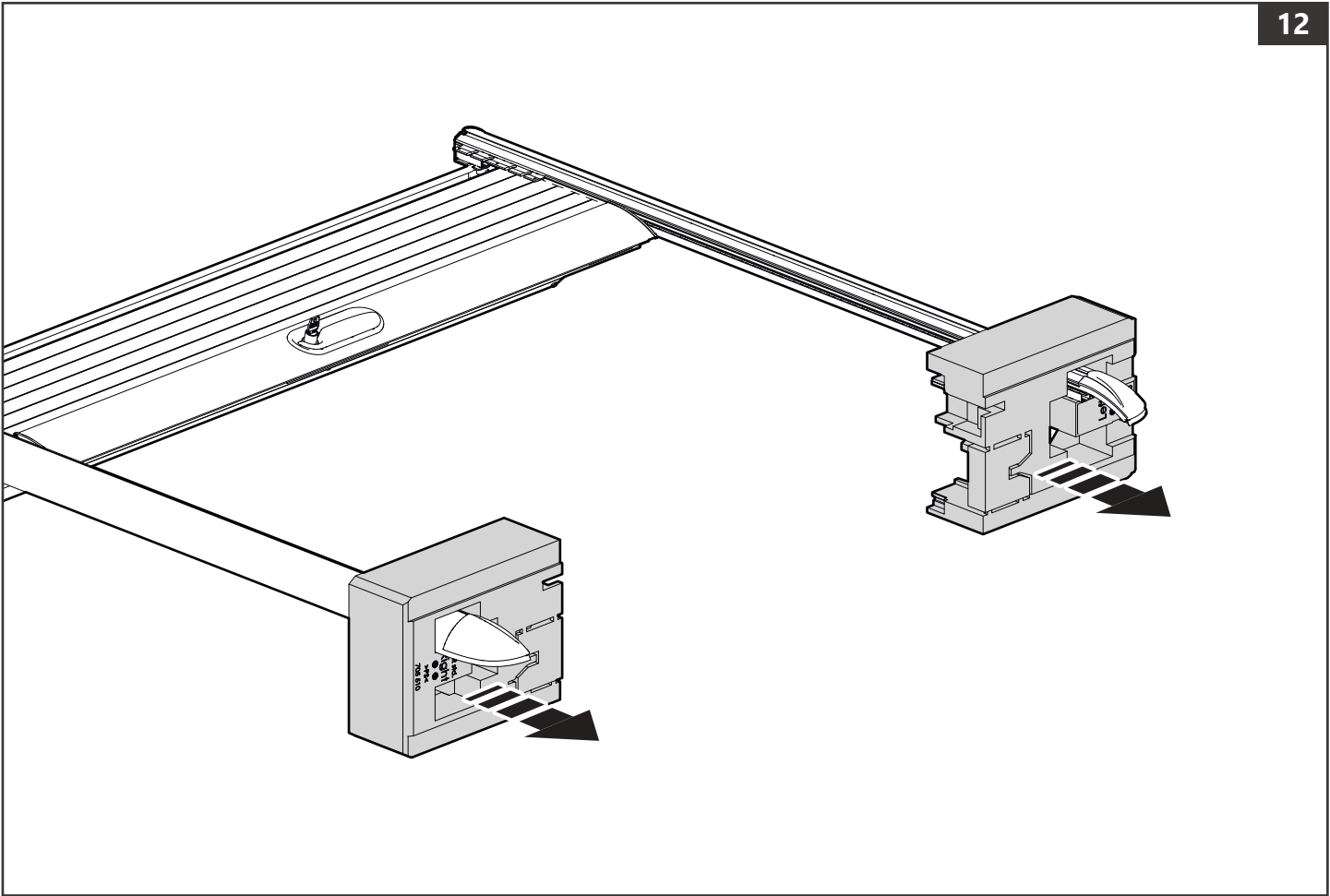


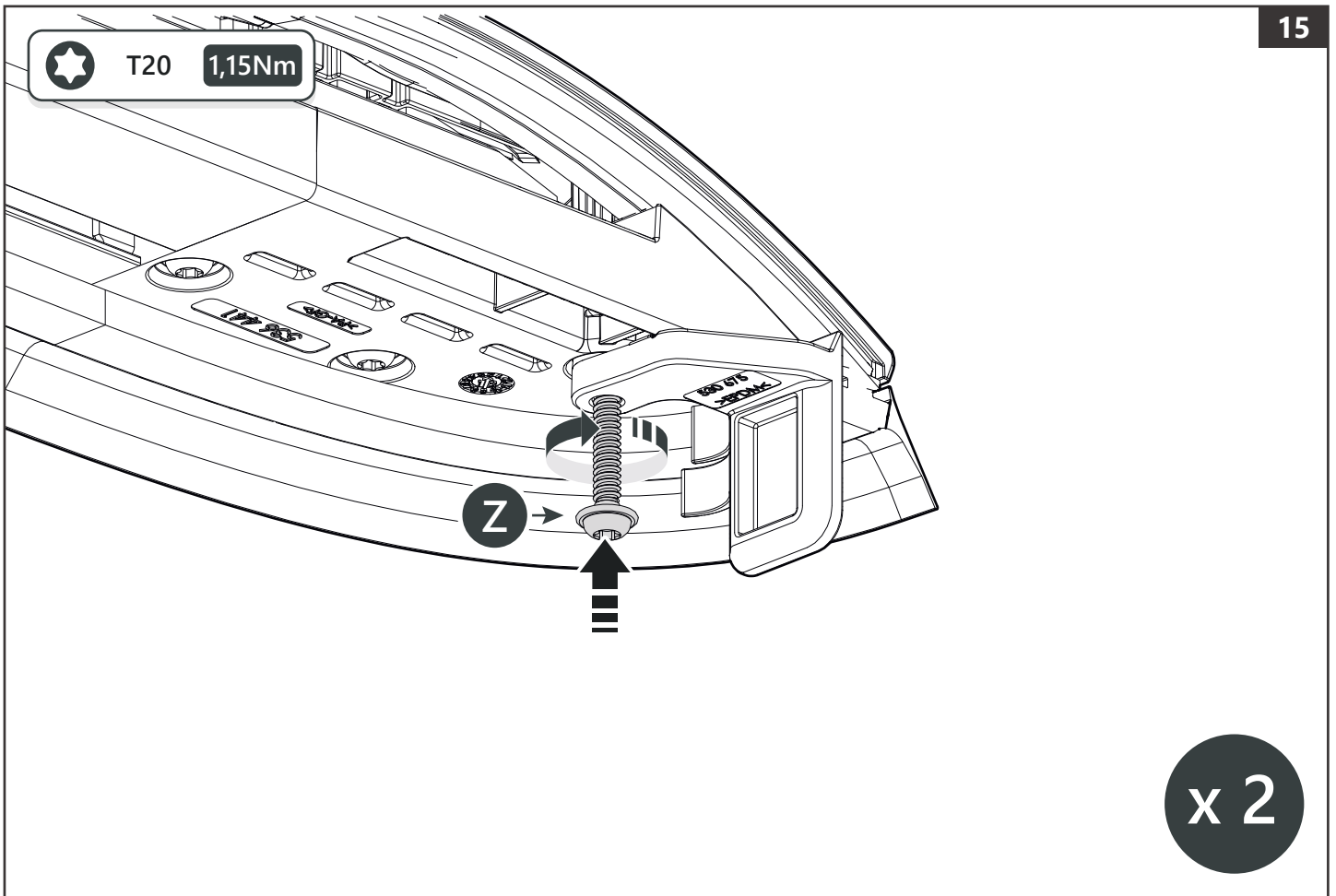
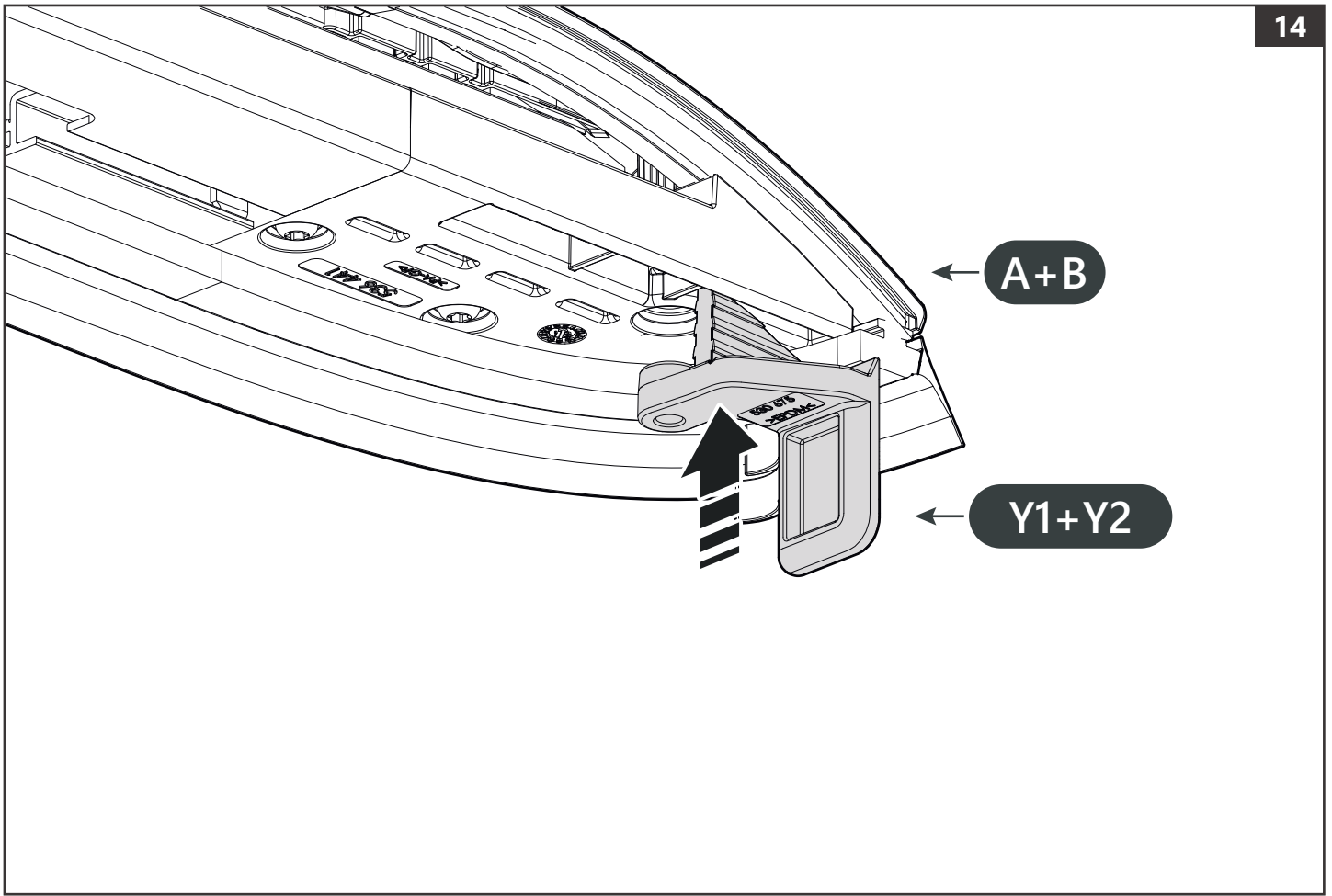




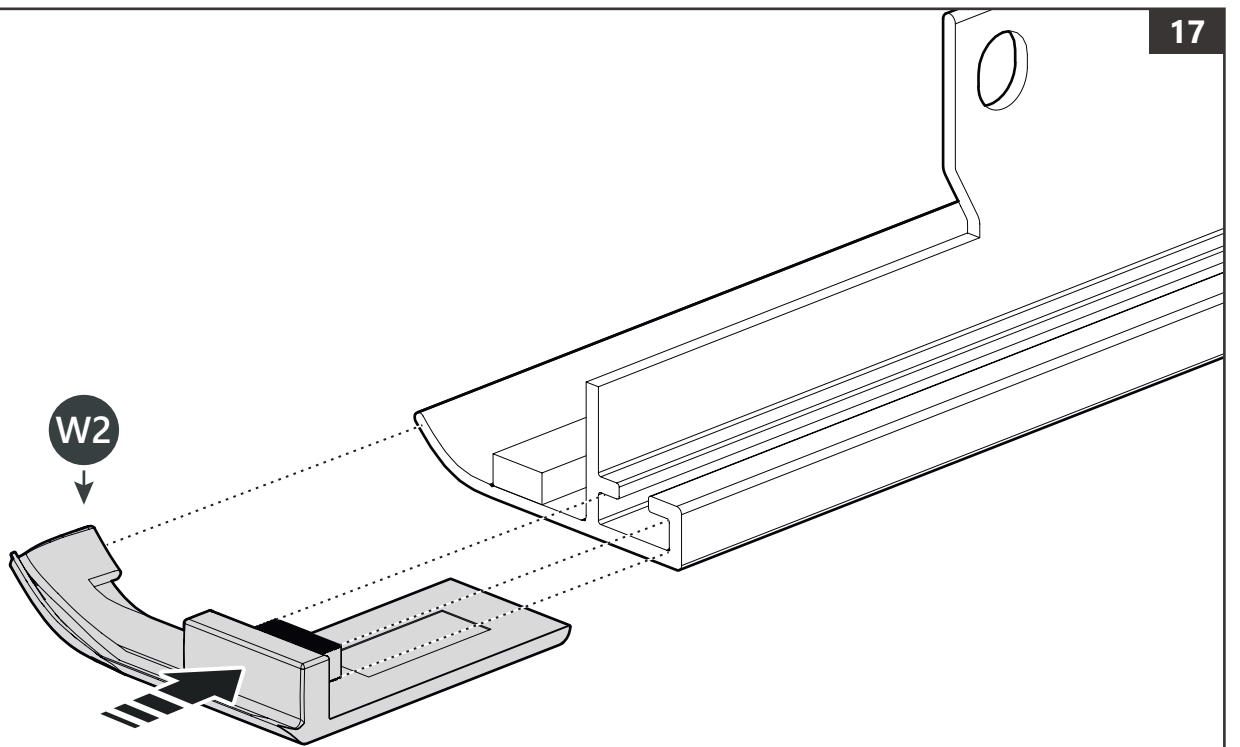
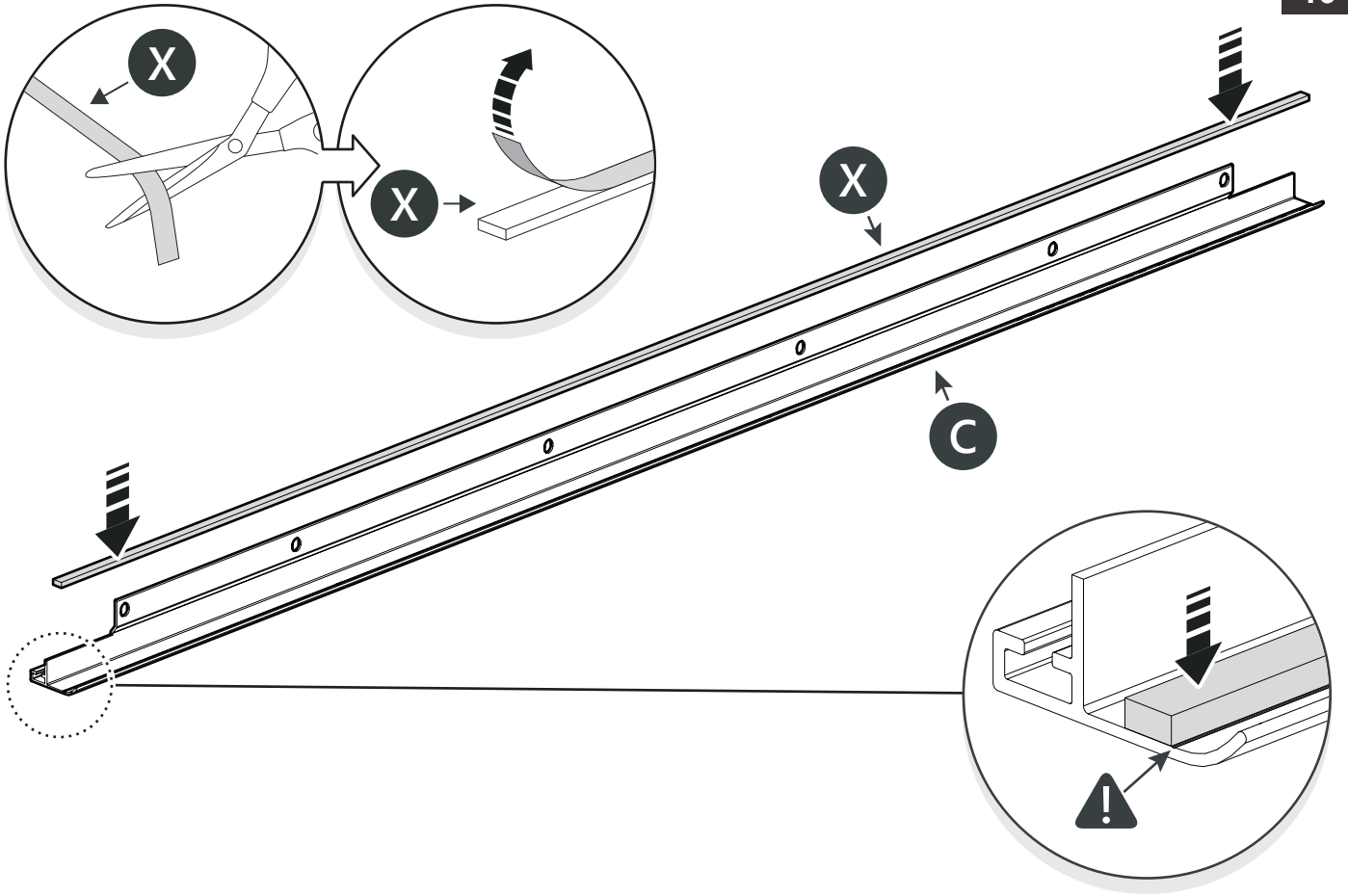


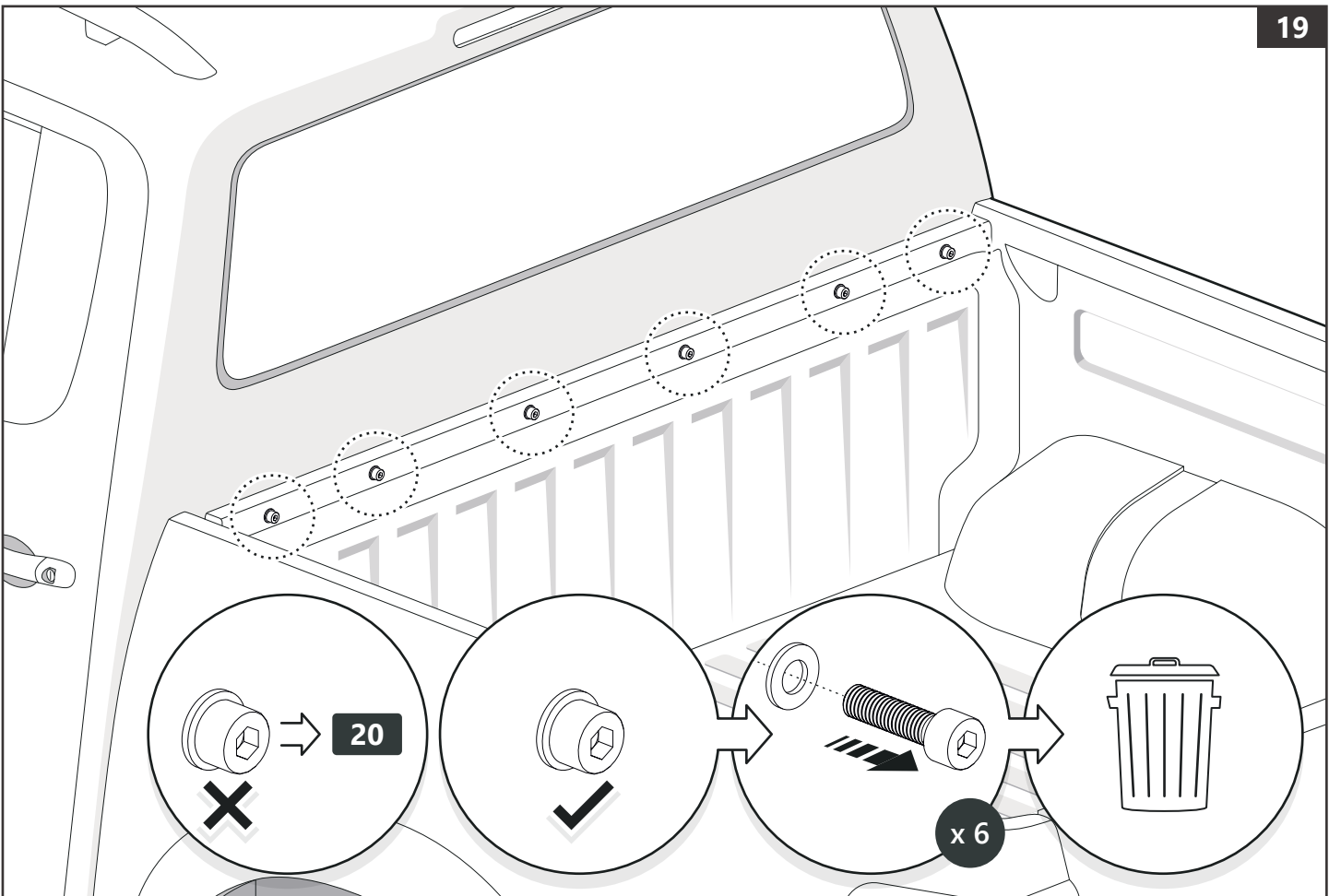
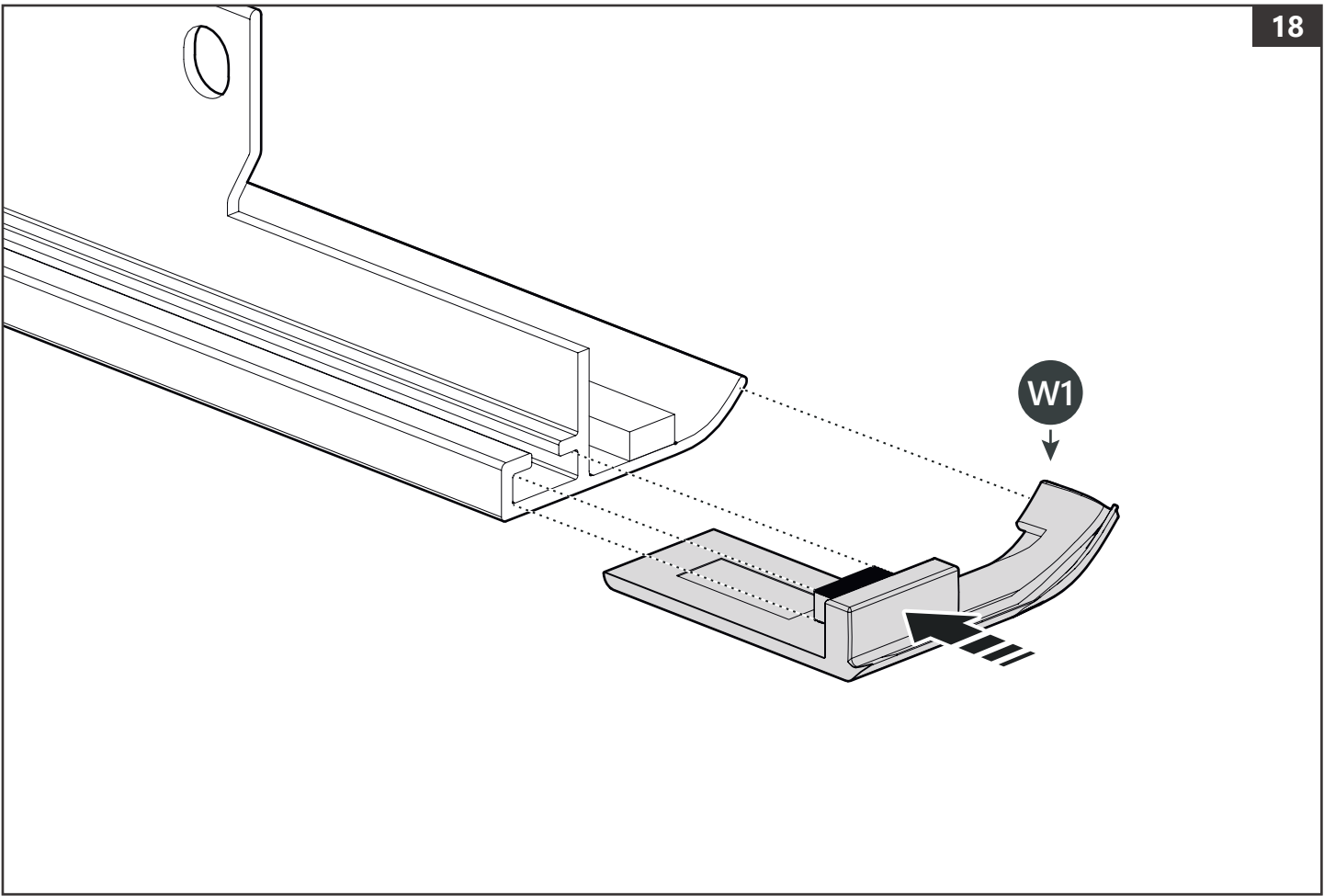


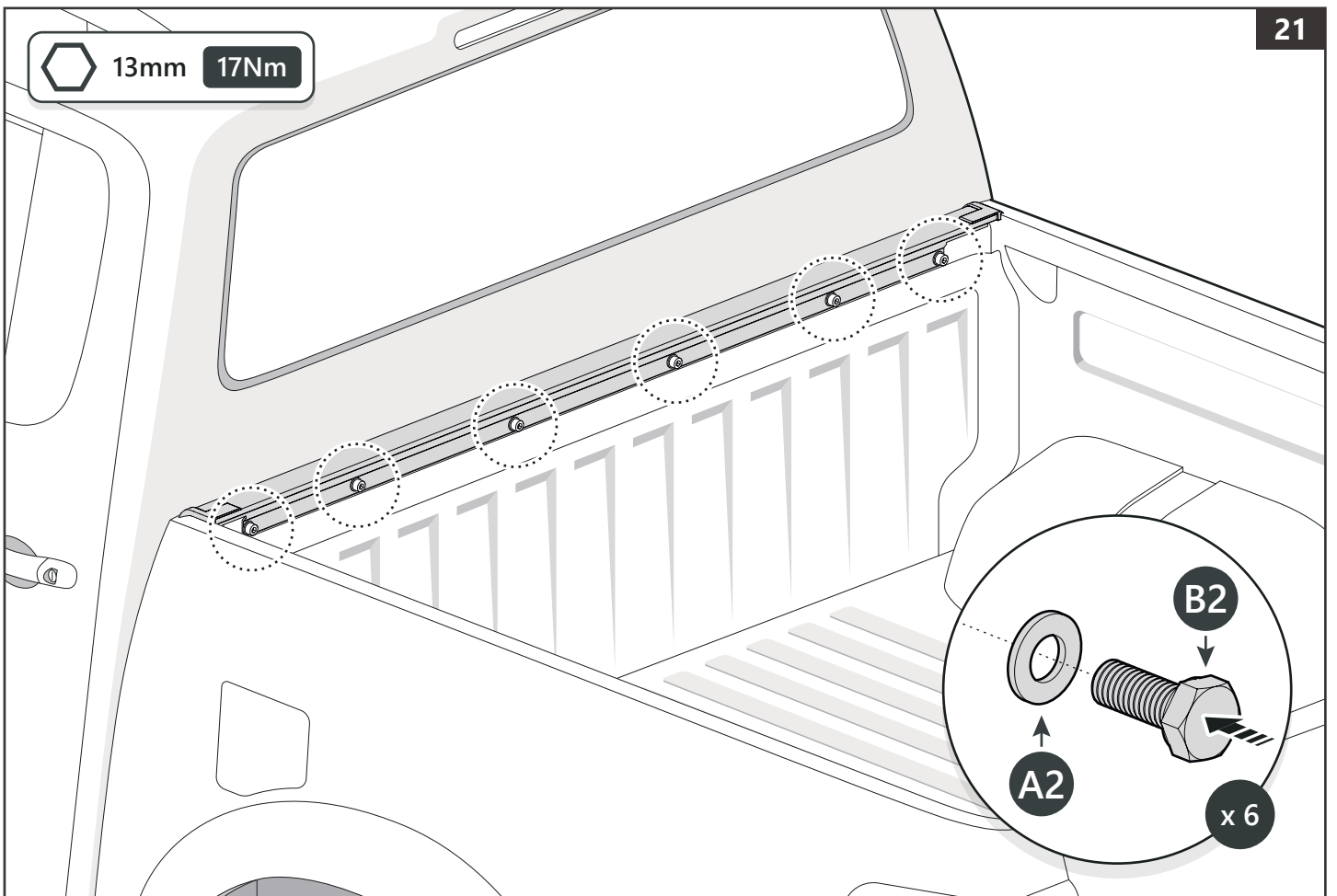
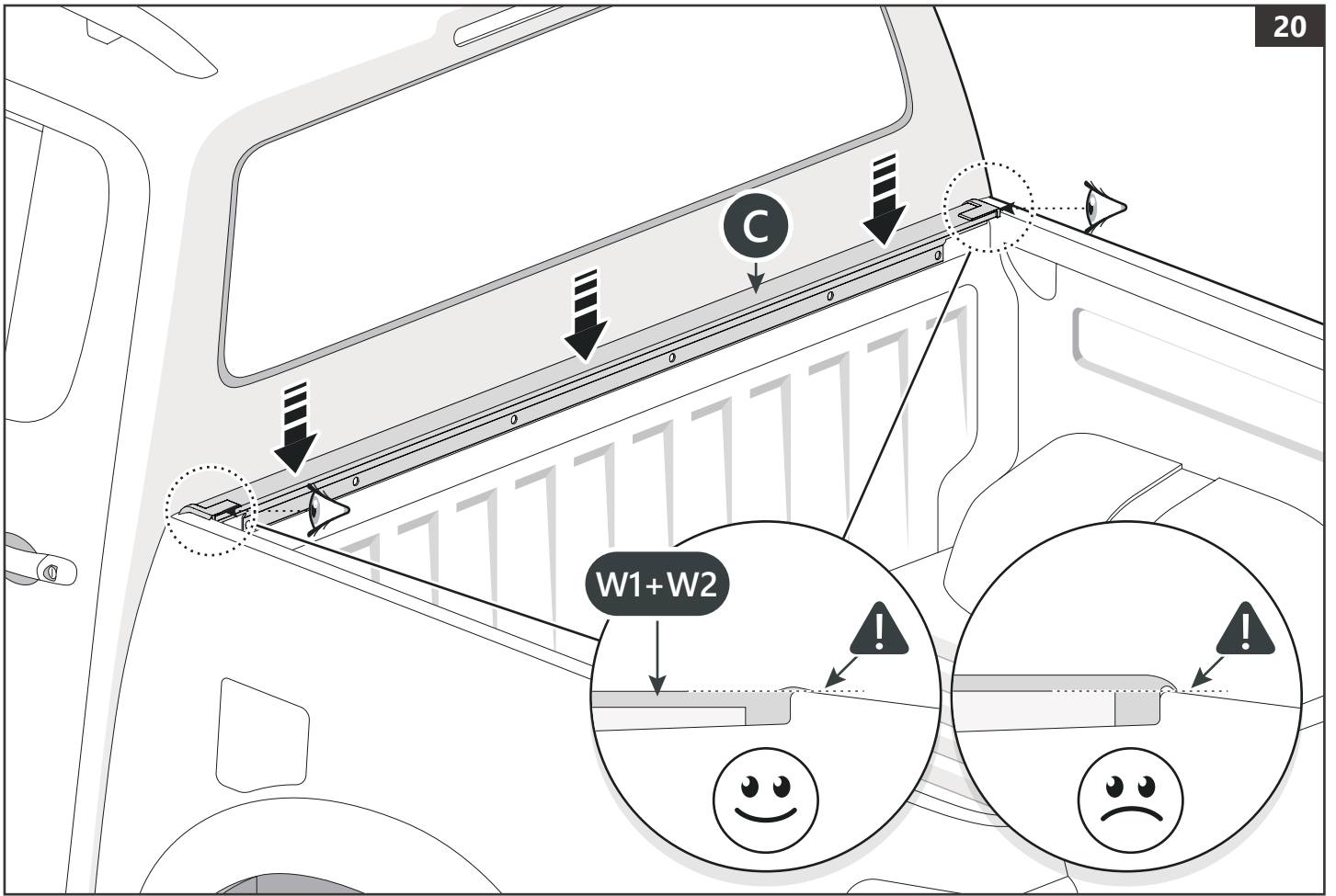


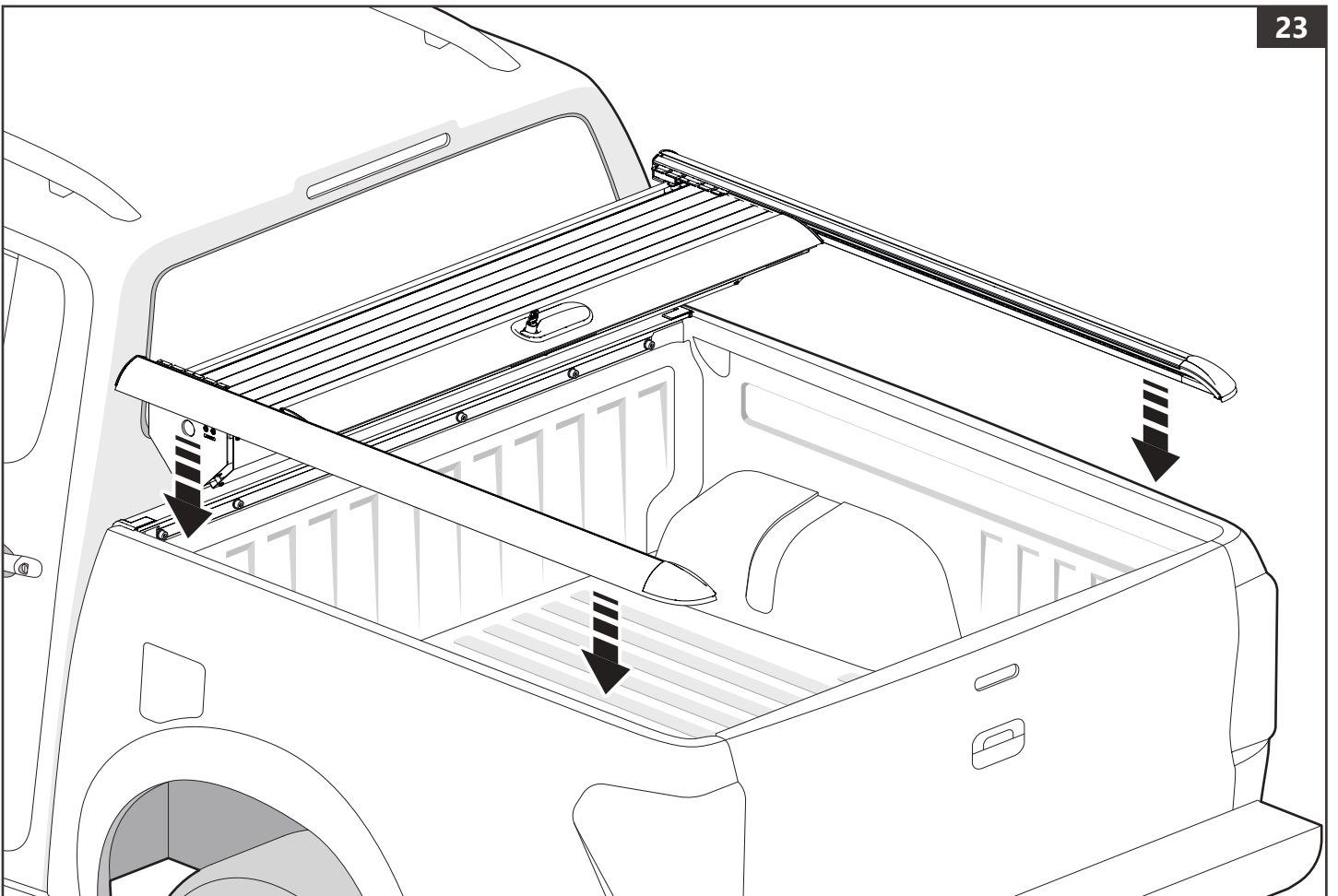
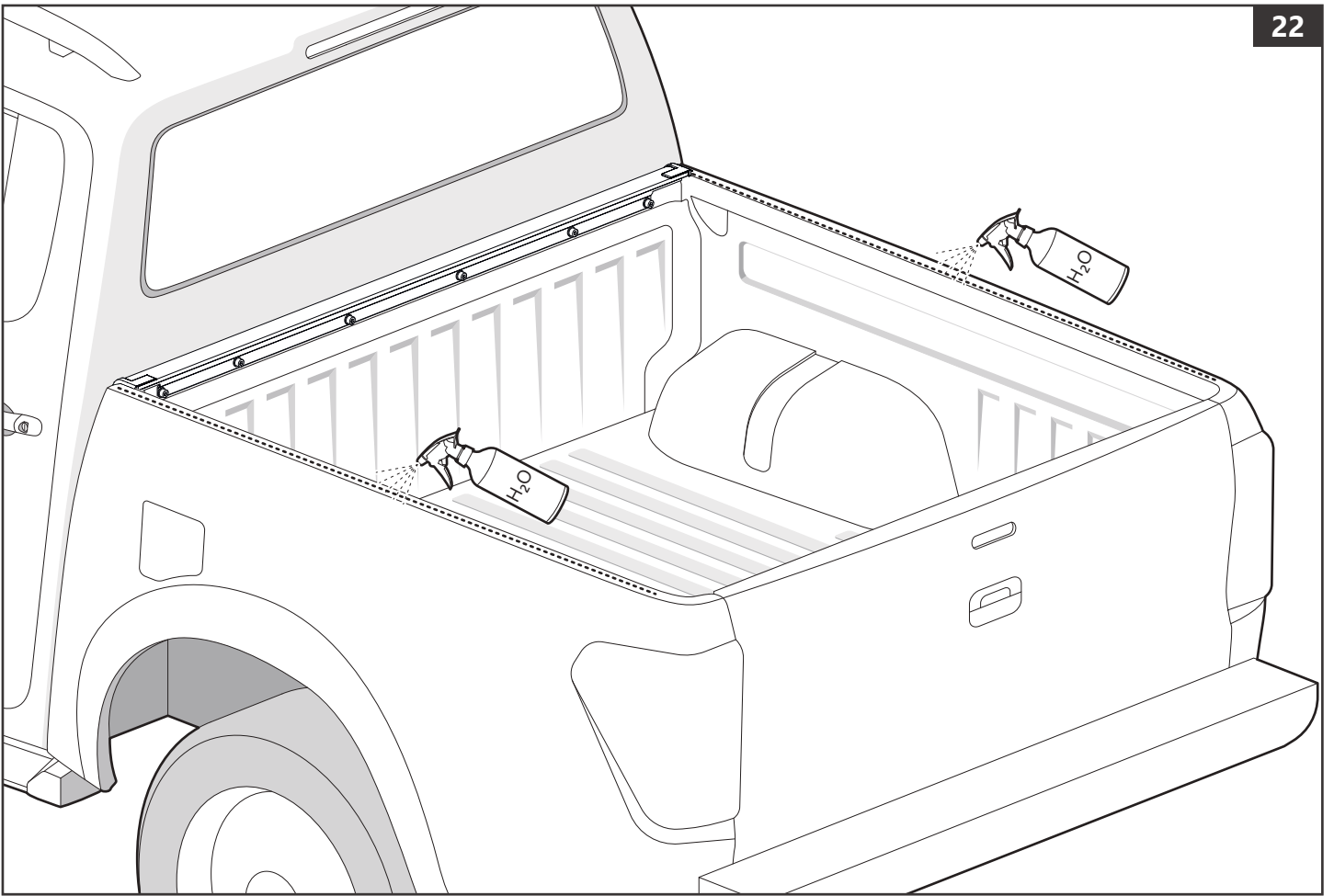


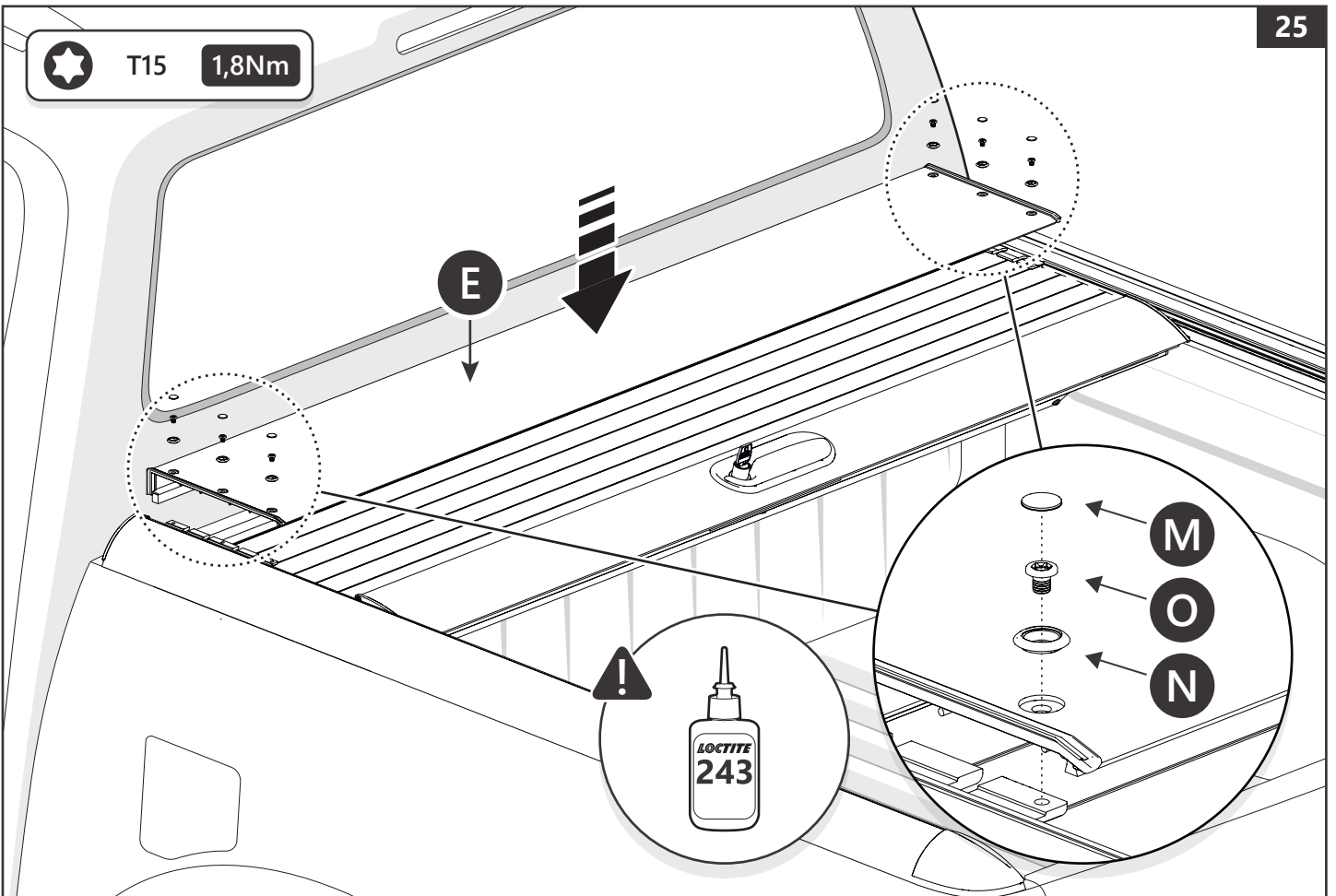
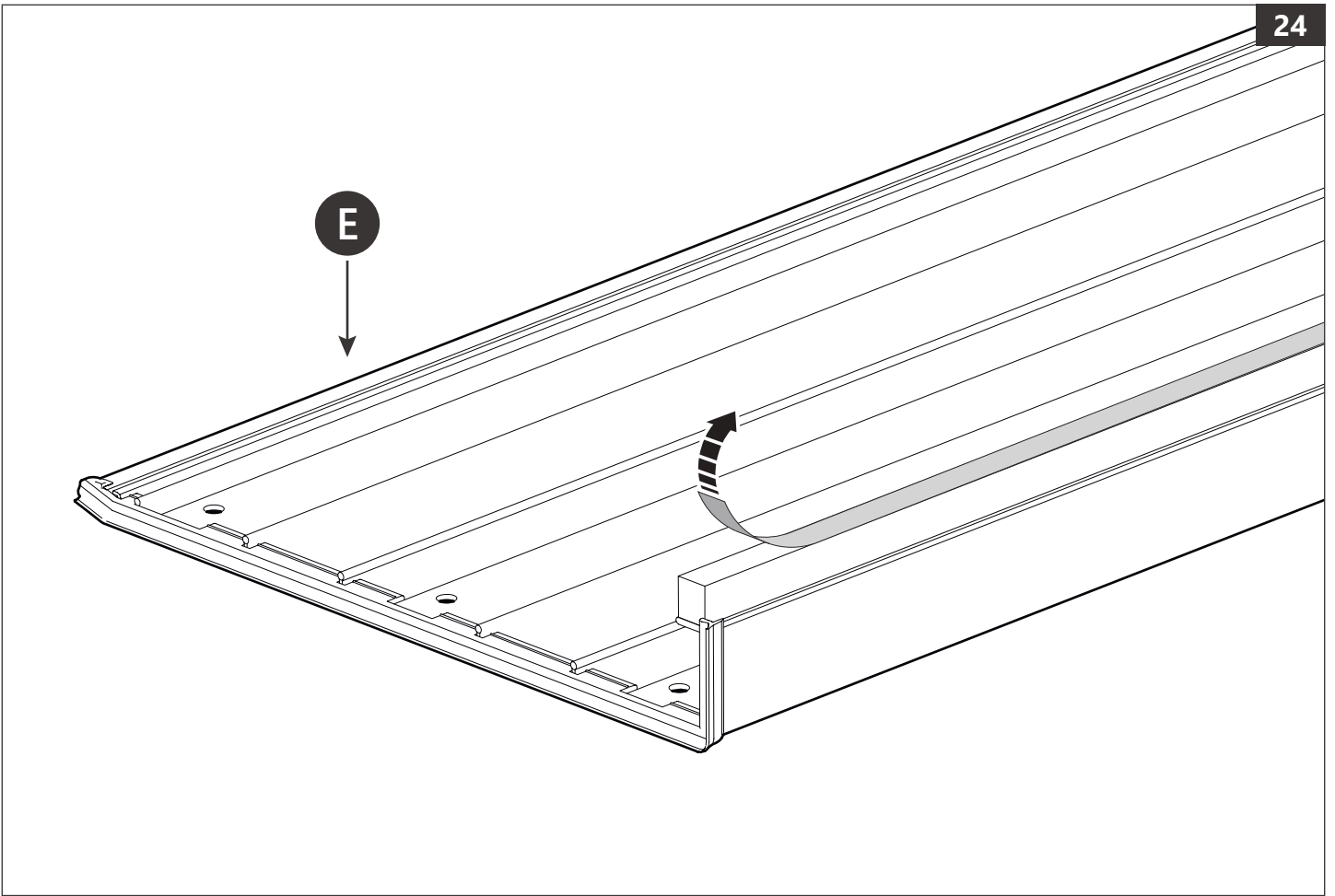
x 2

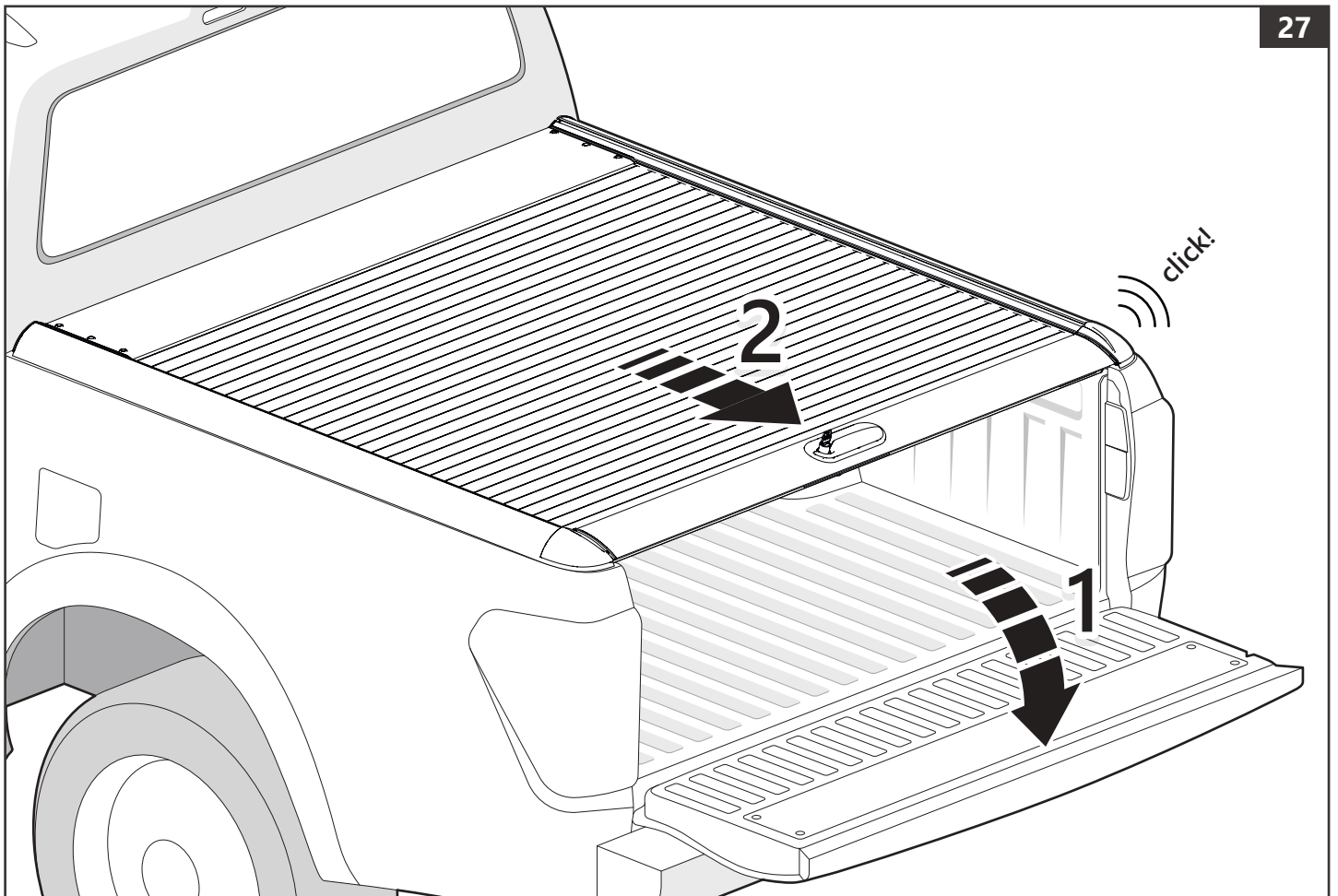
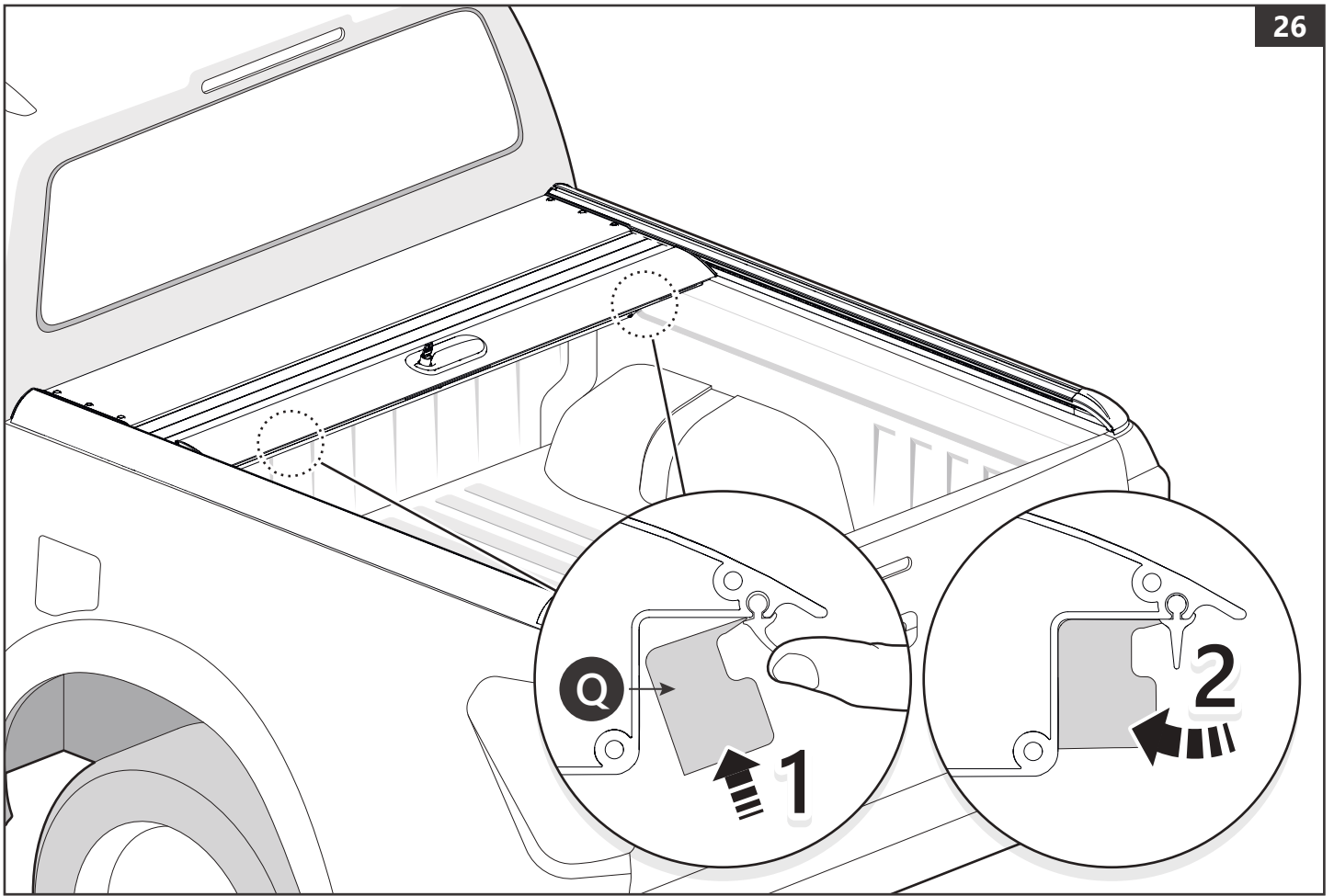


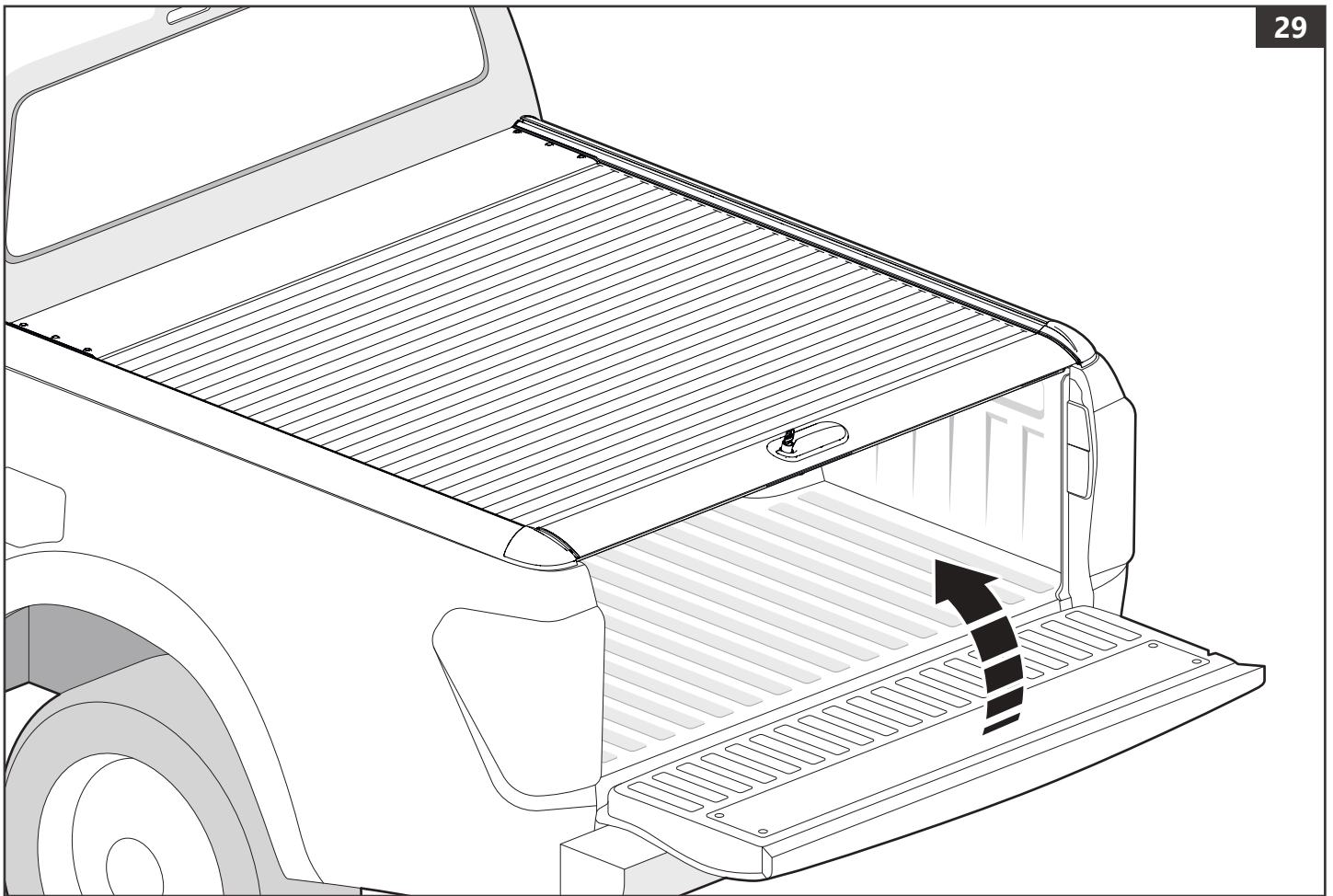
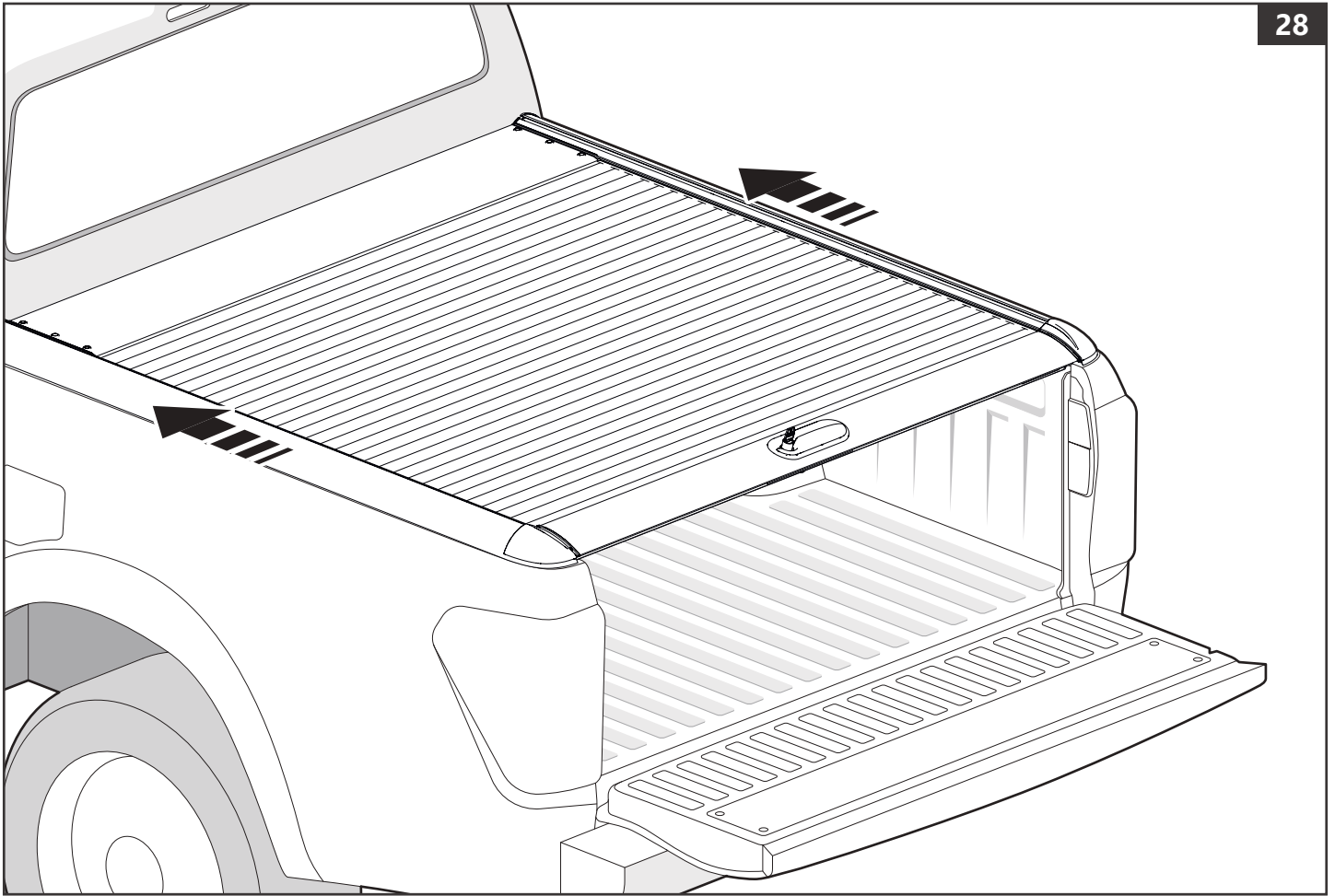


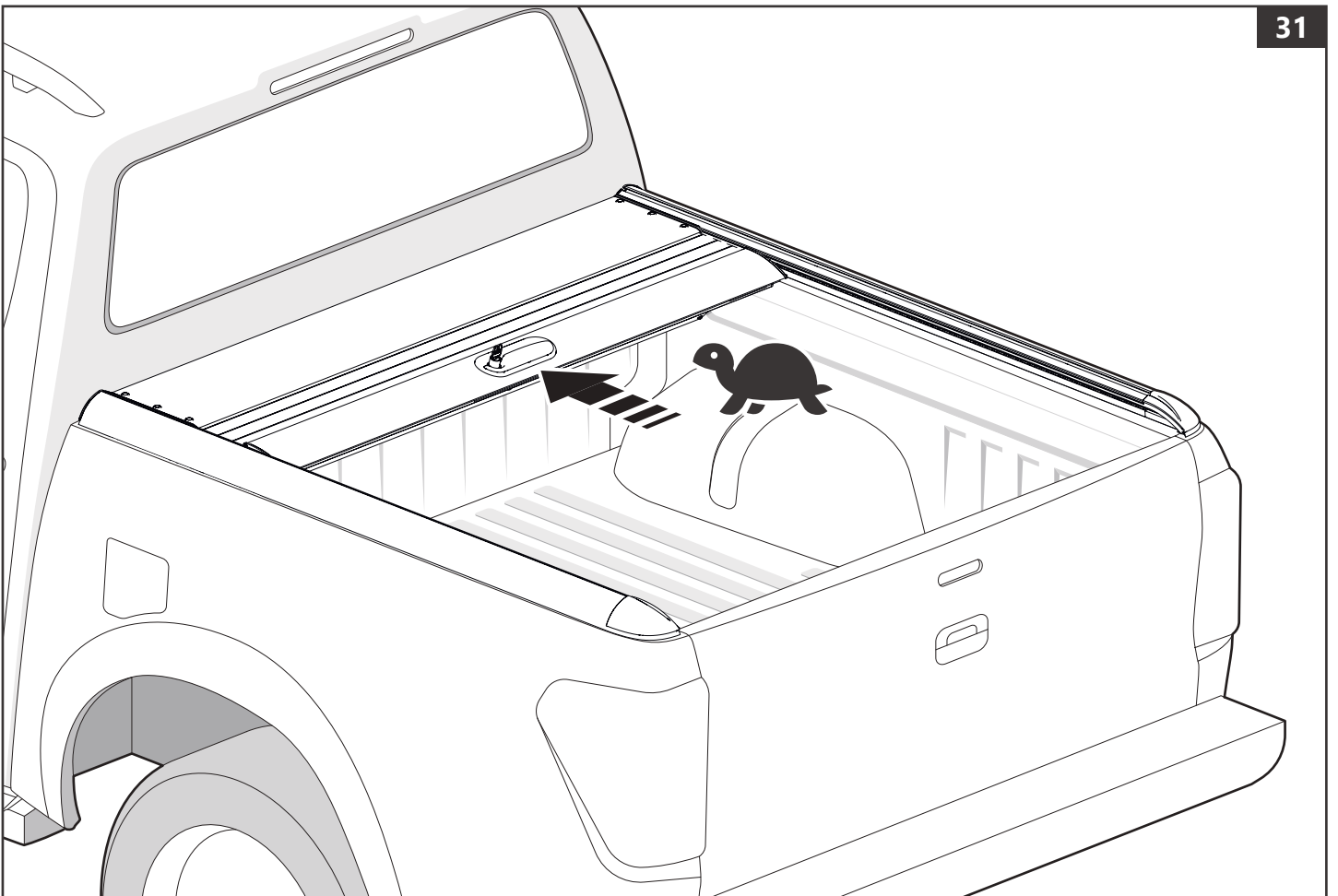
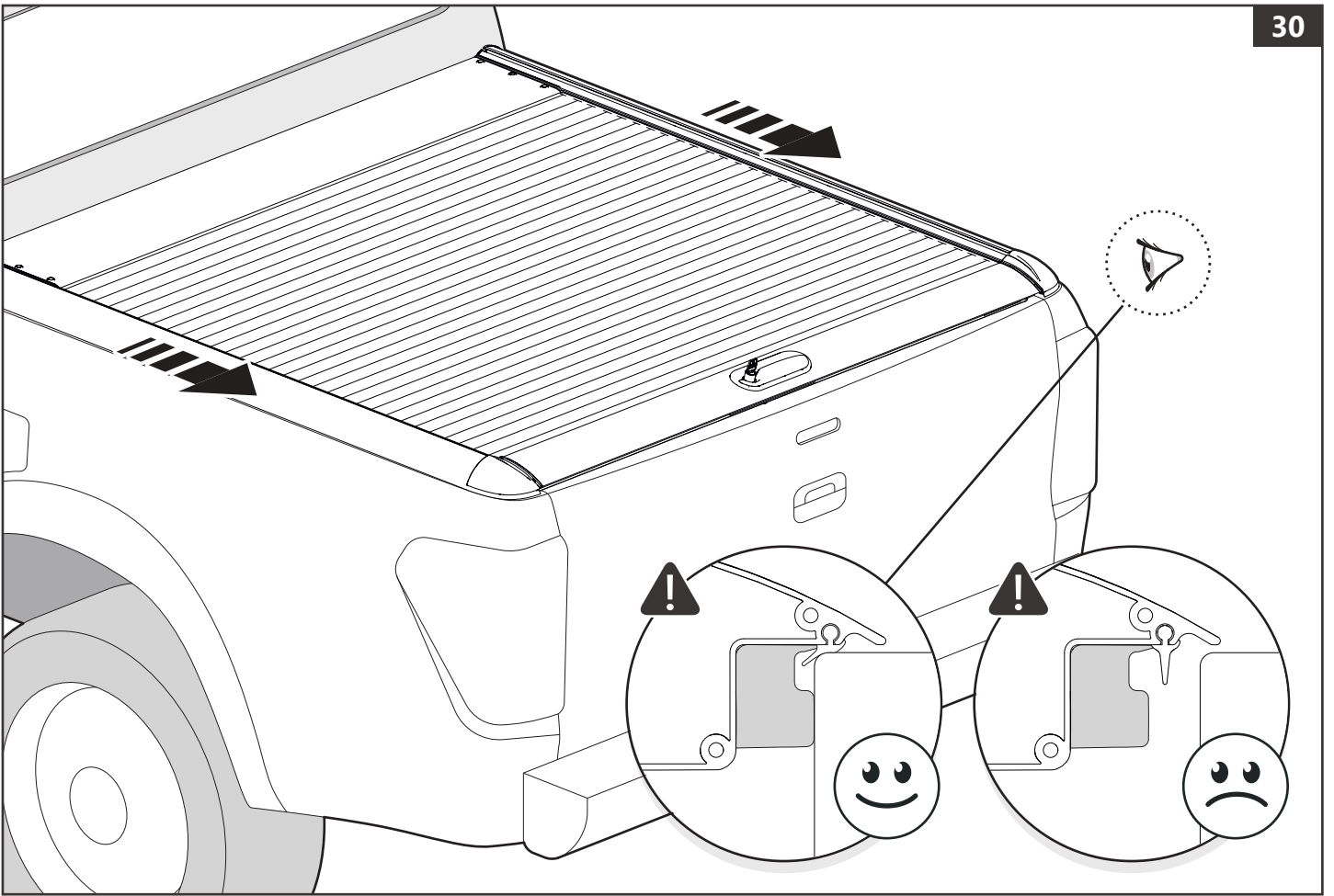


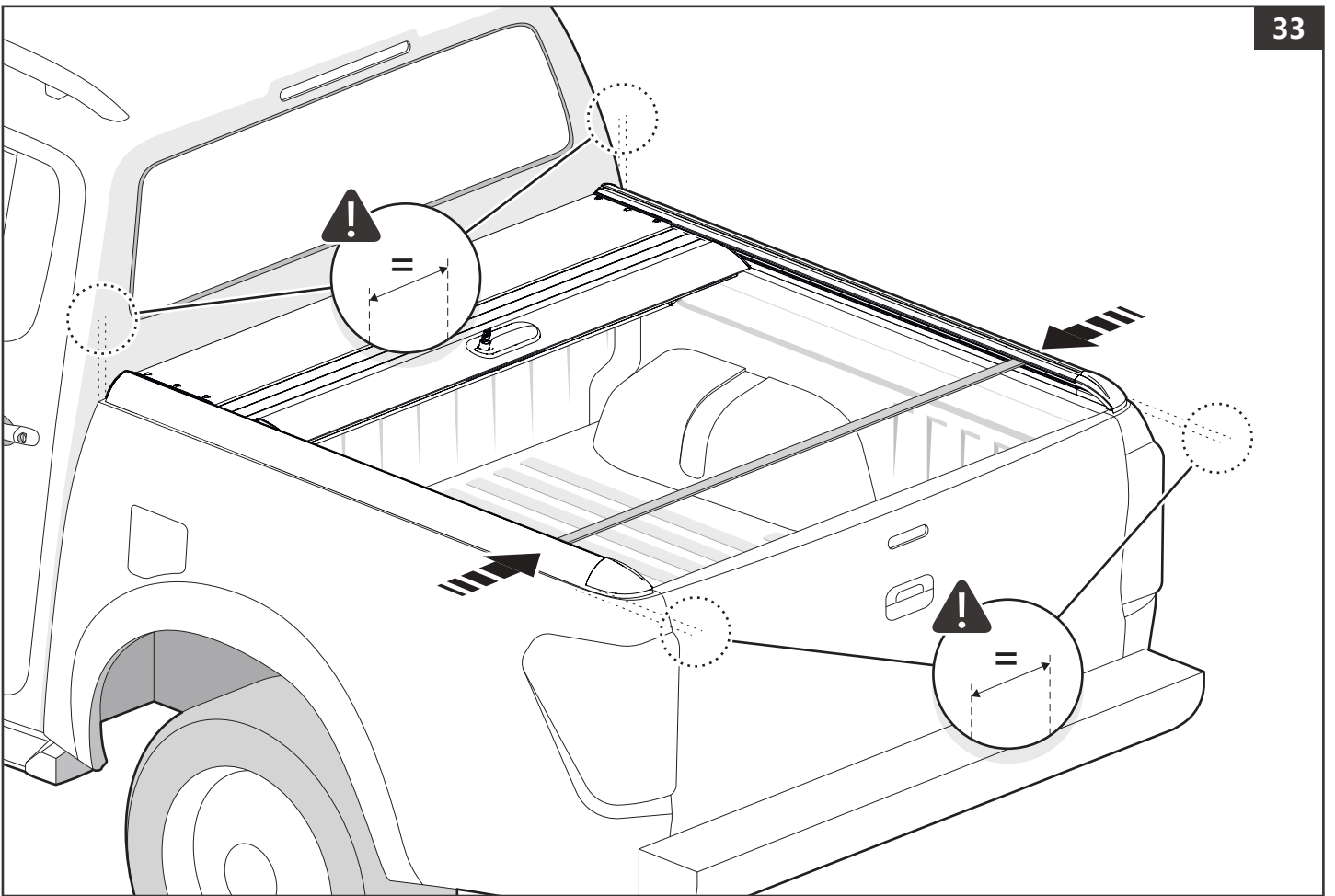
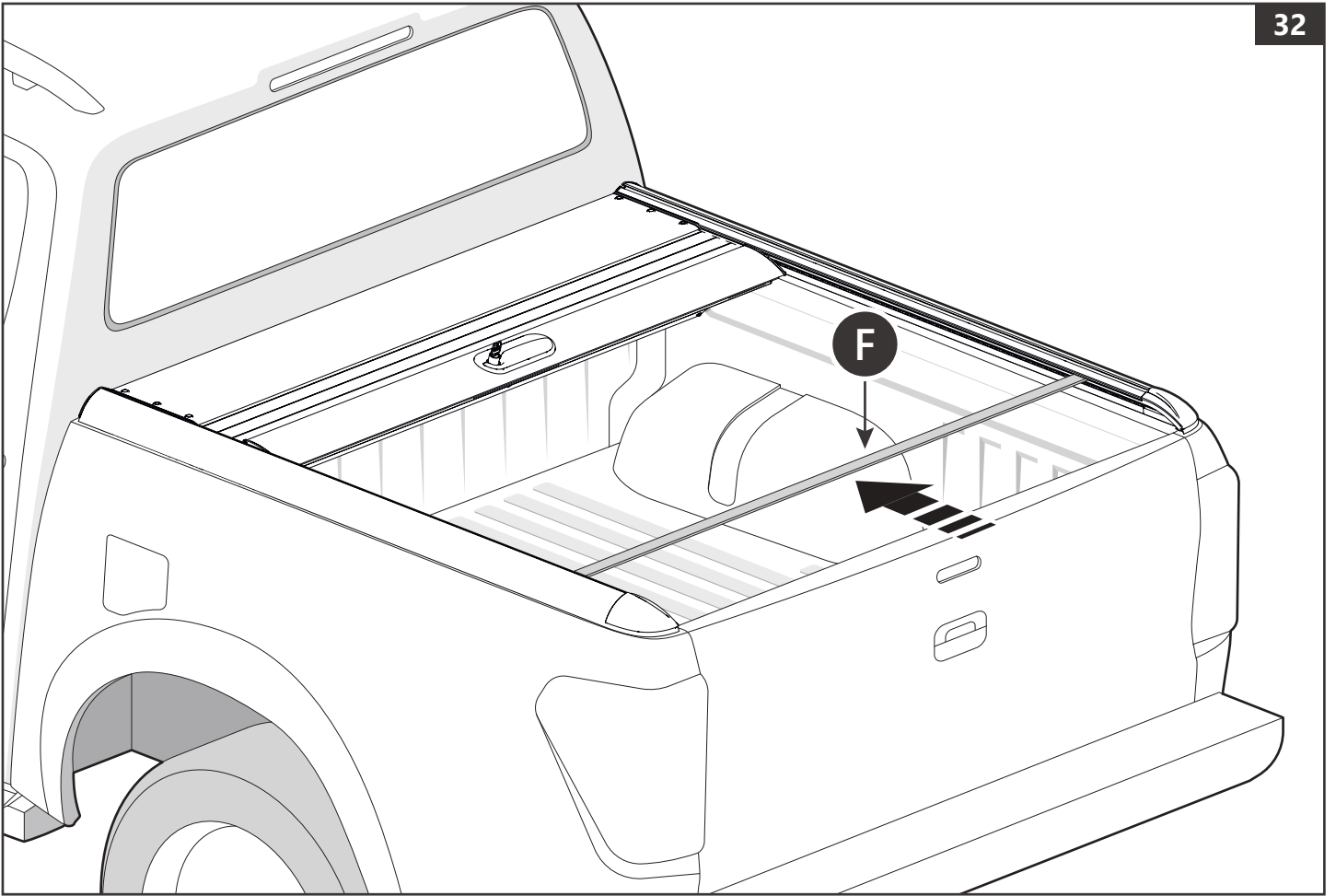


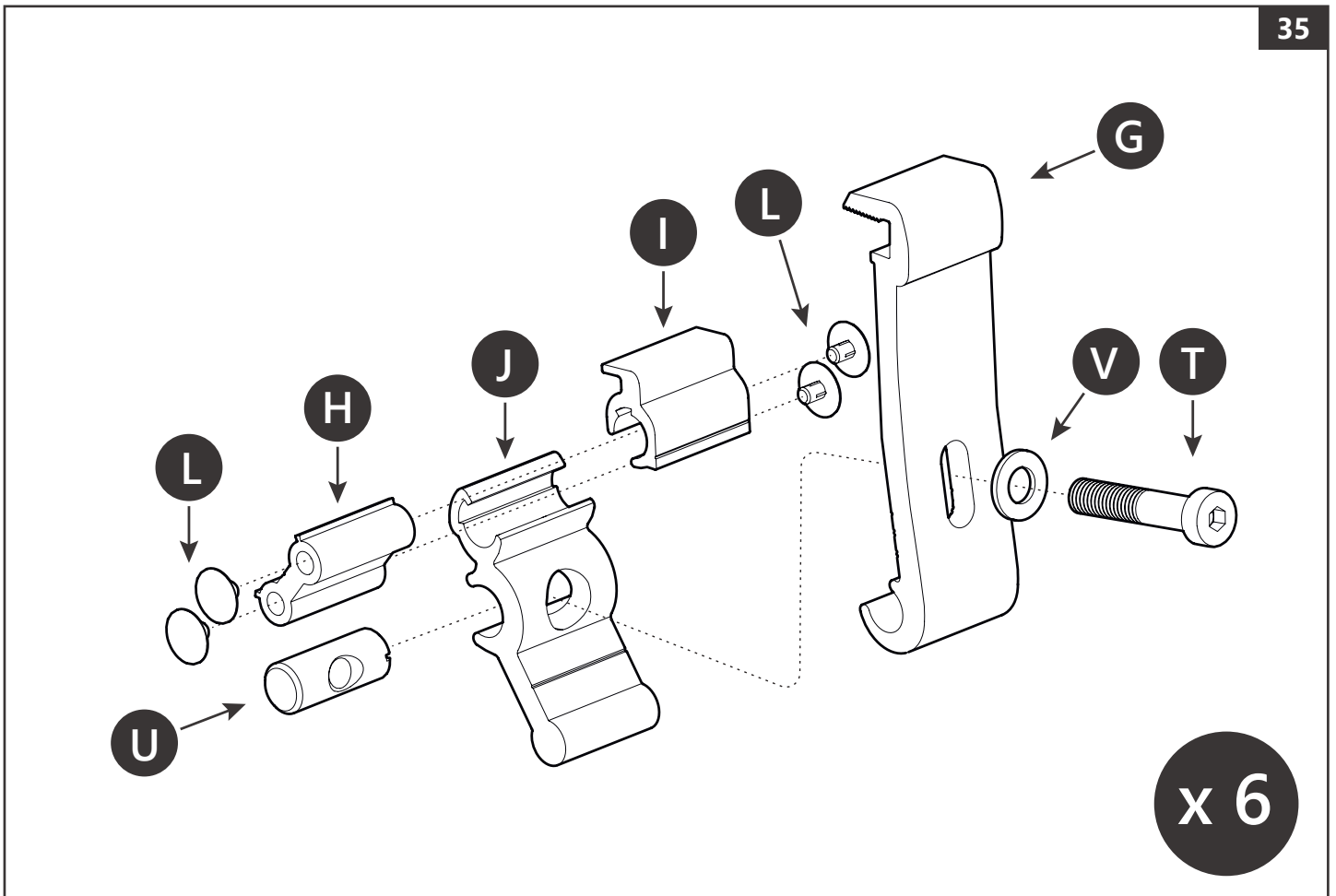
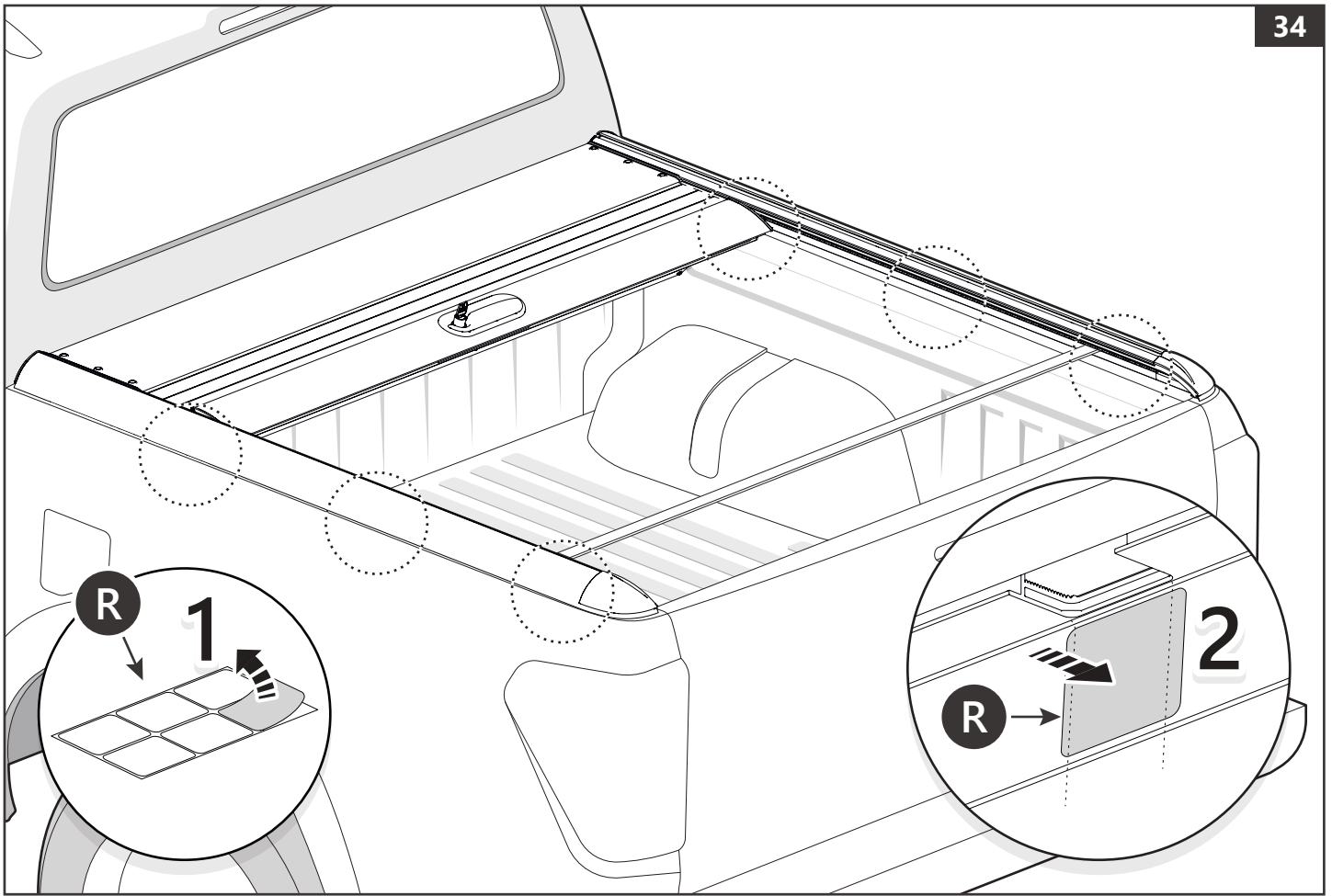


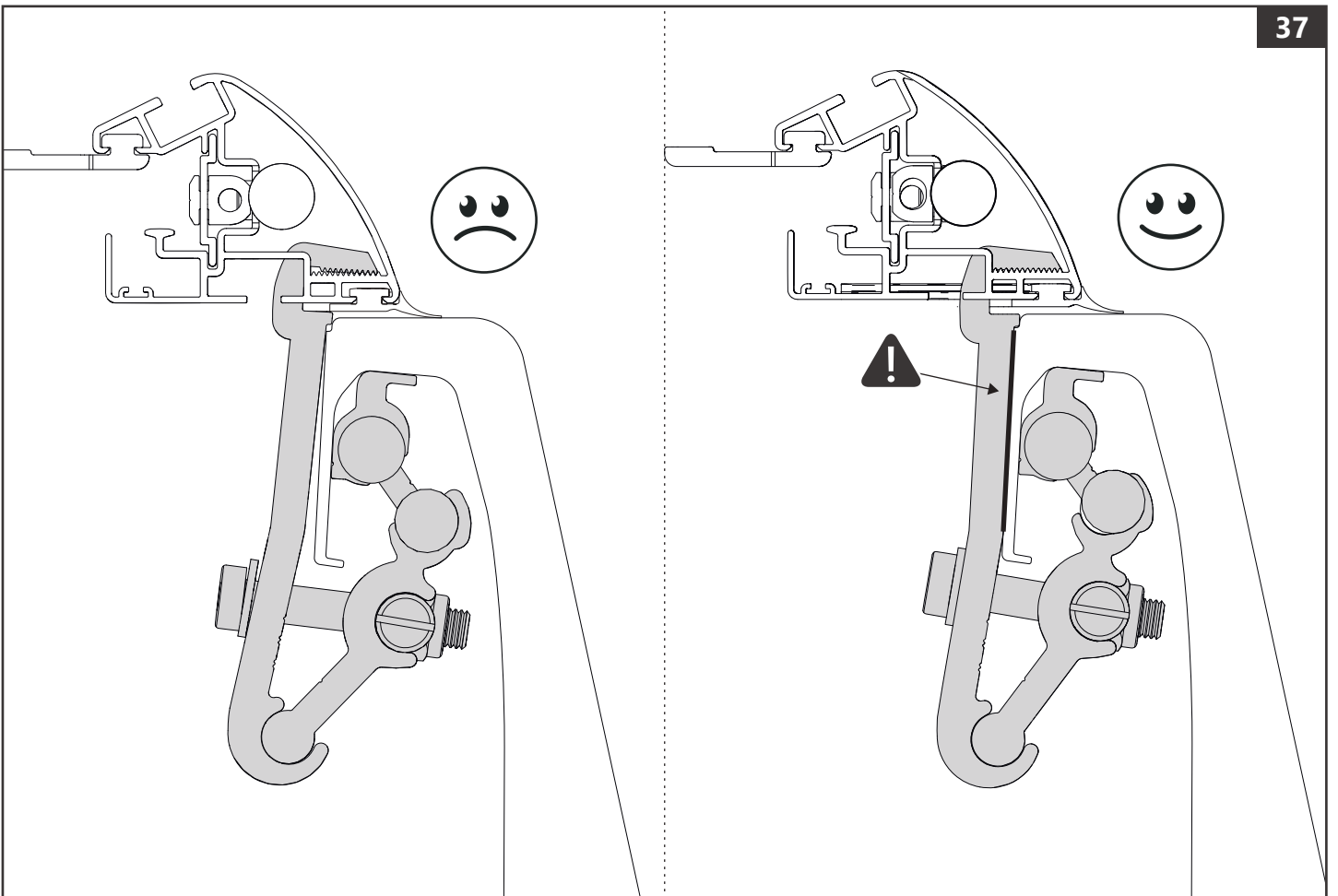
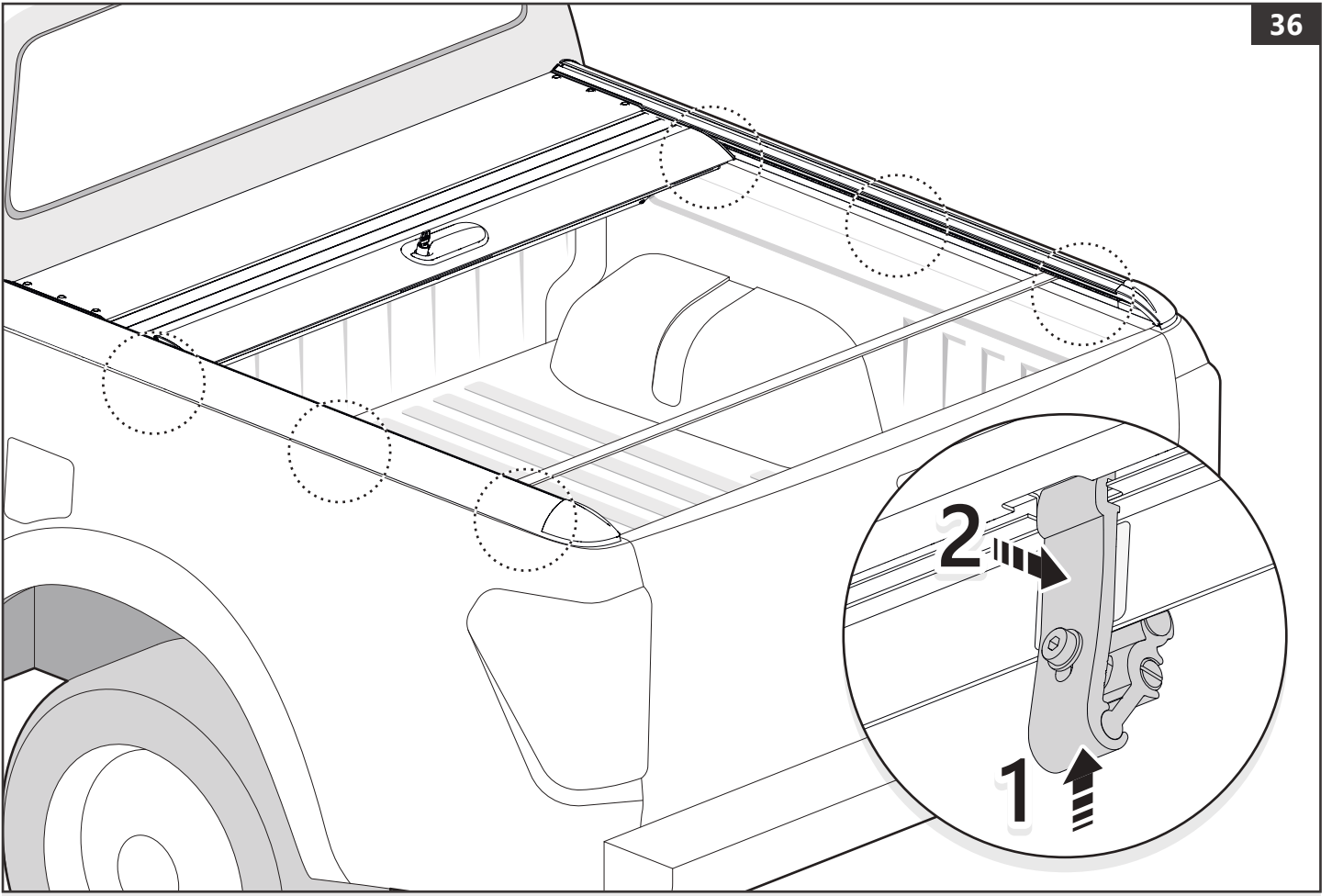


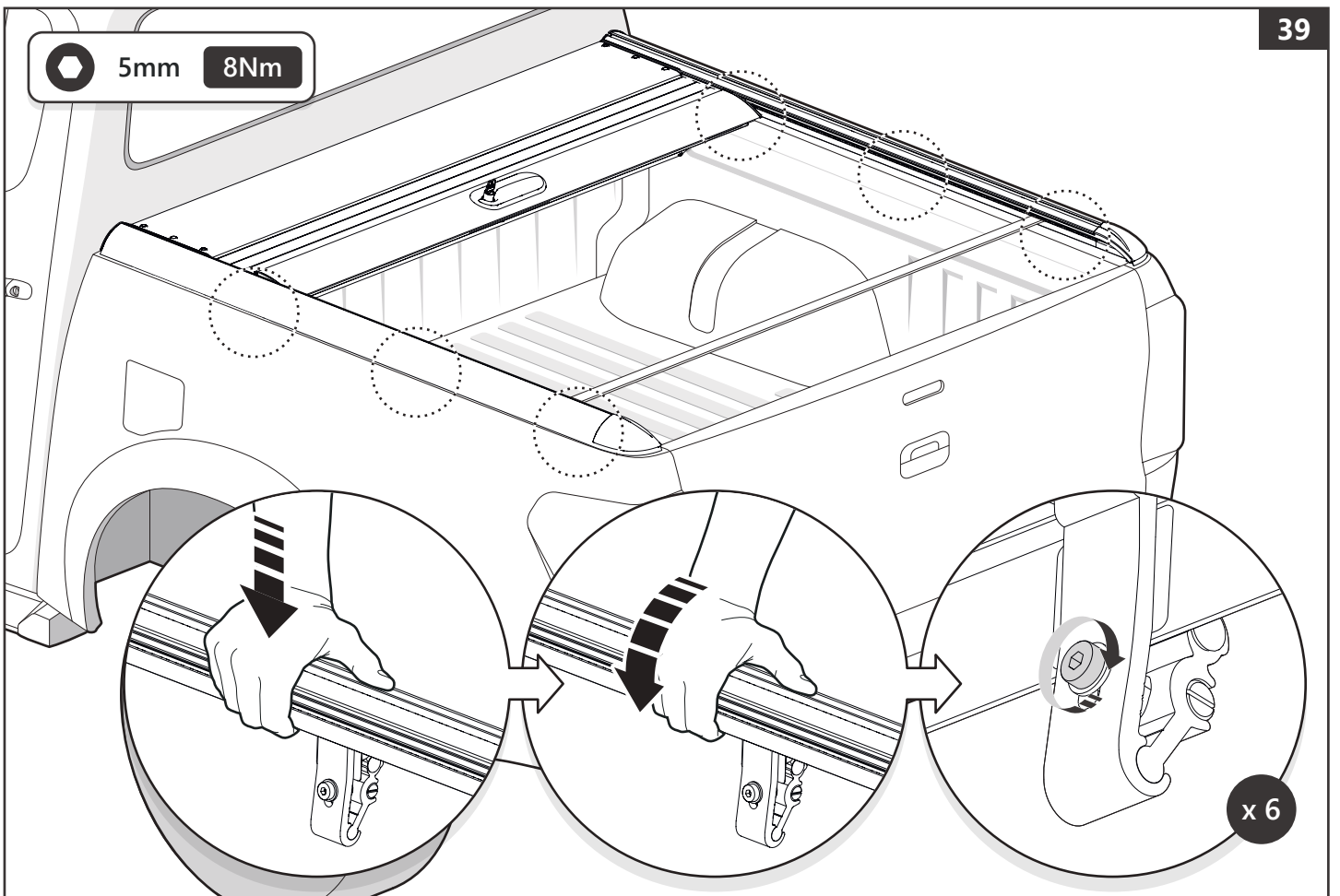
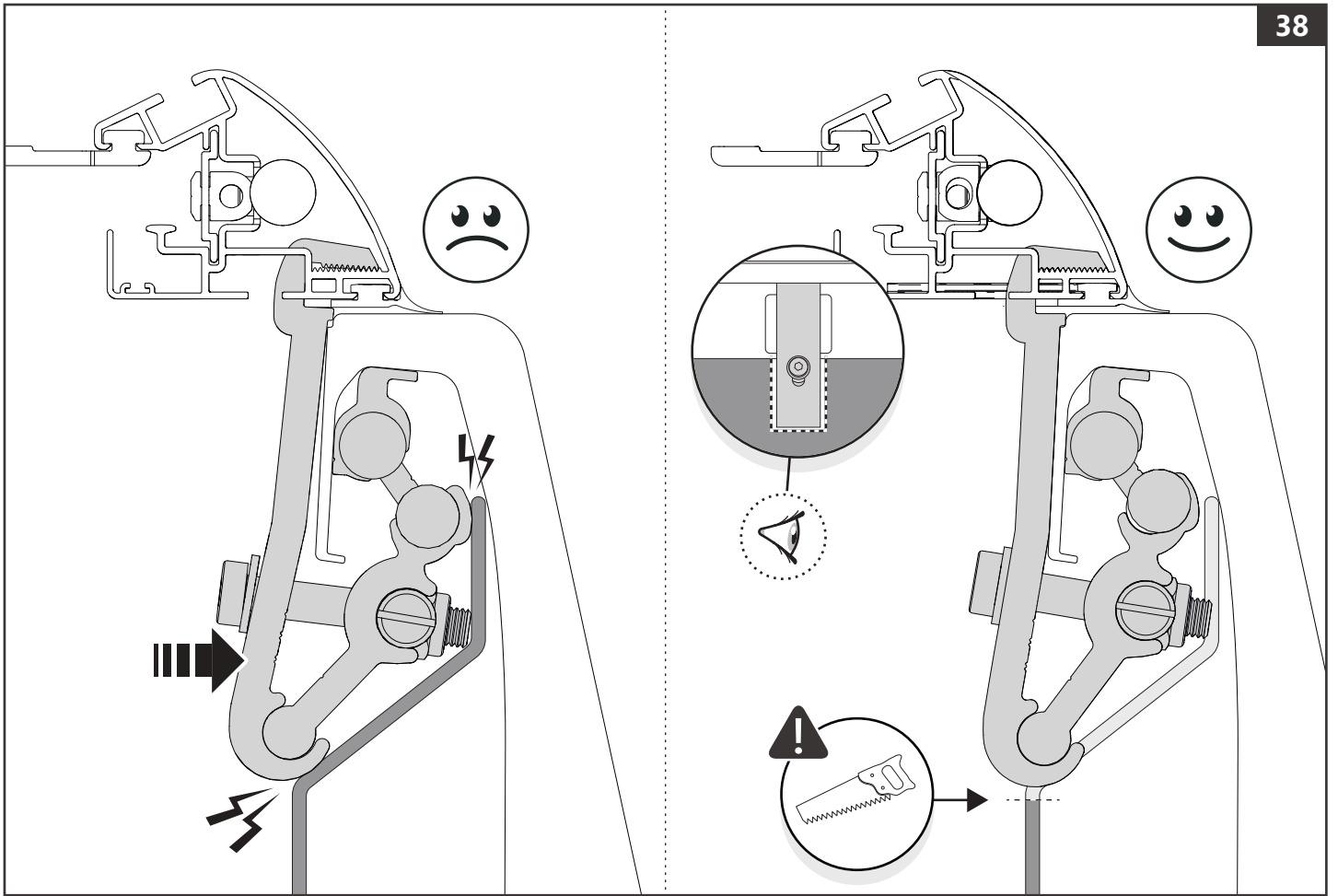


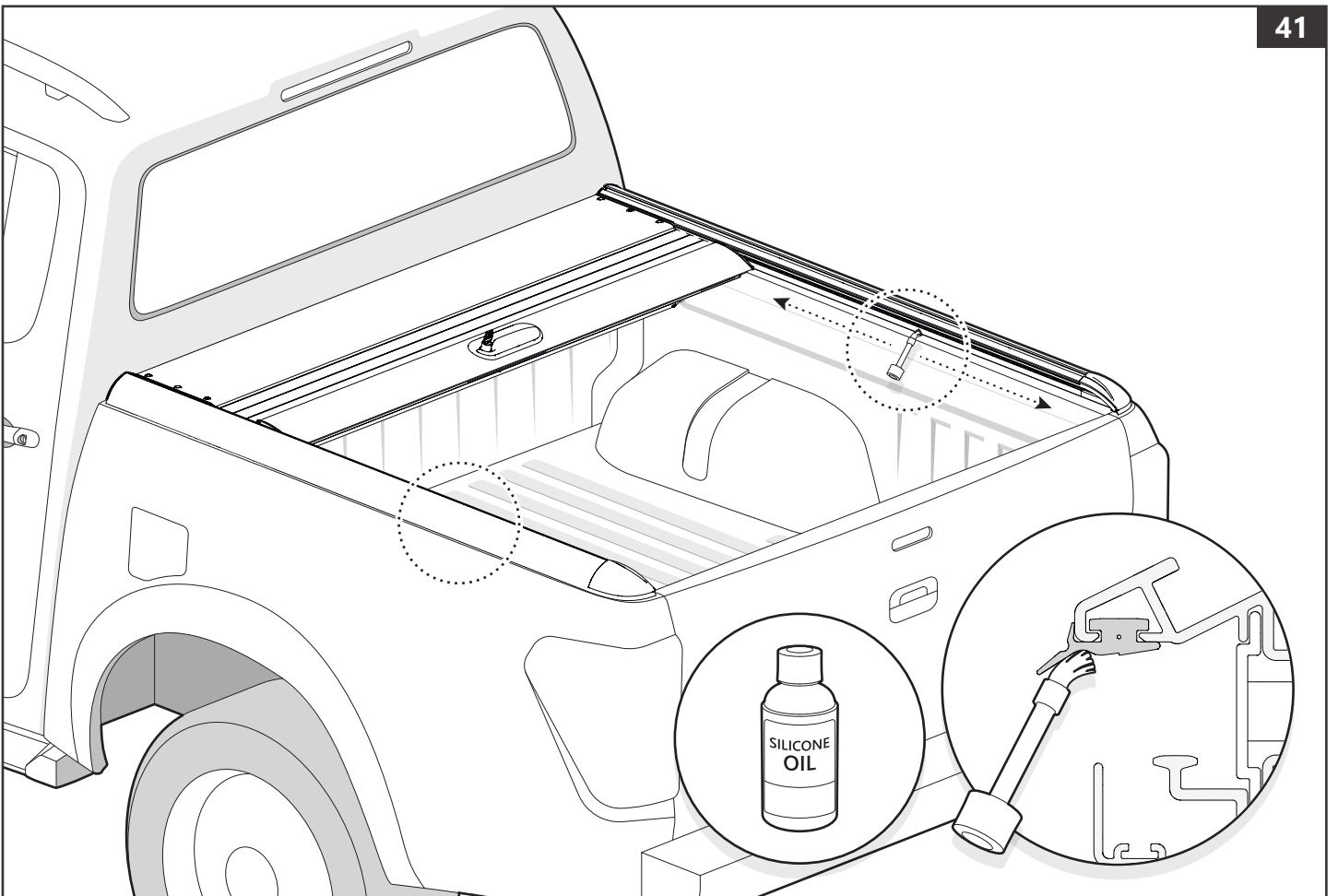
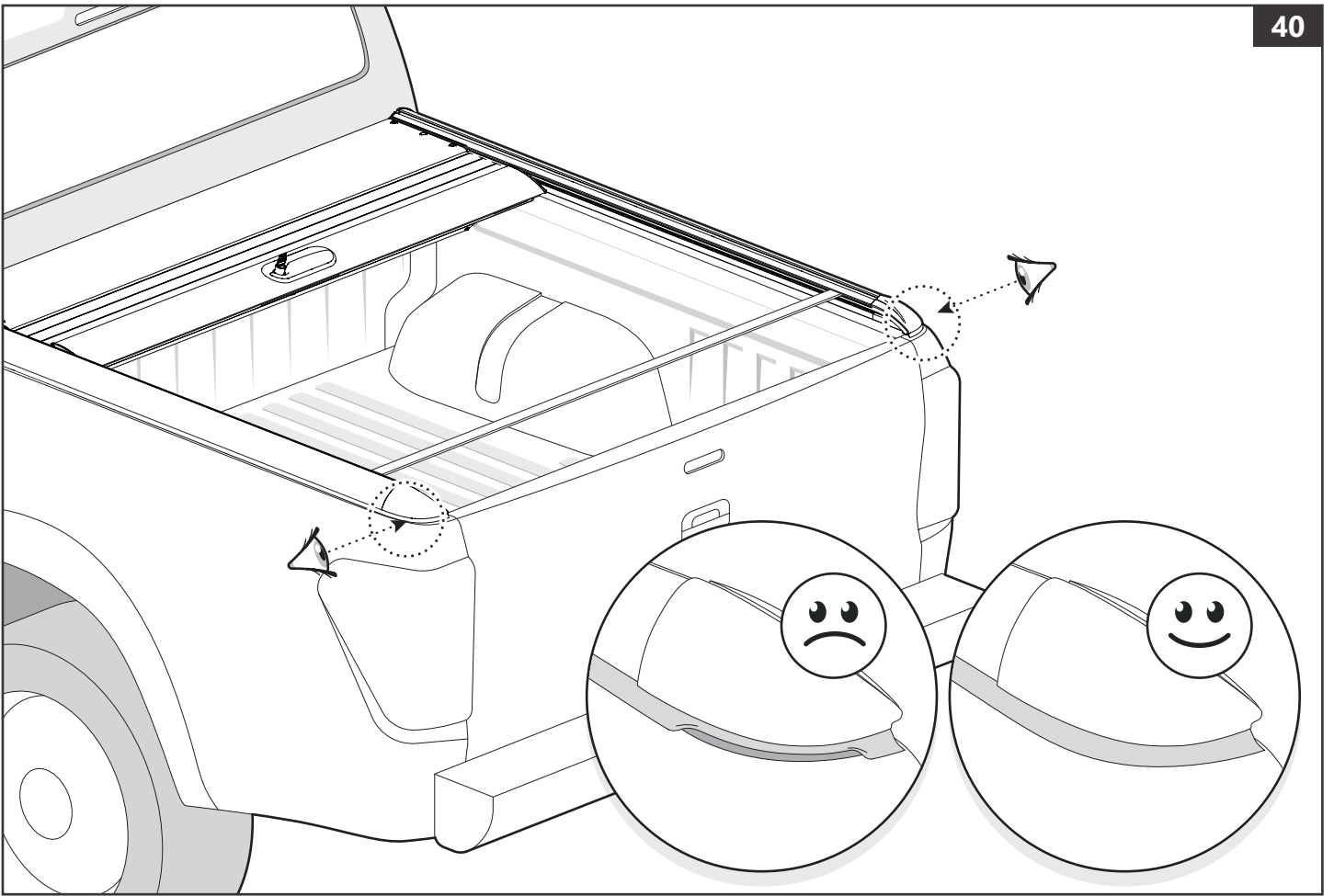


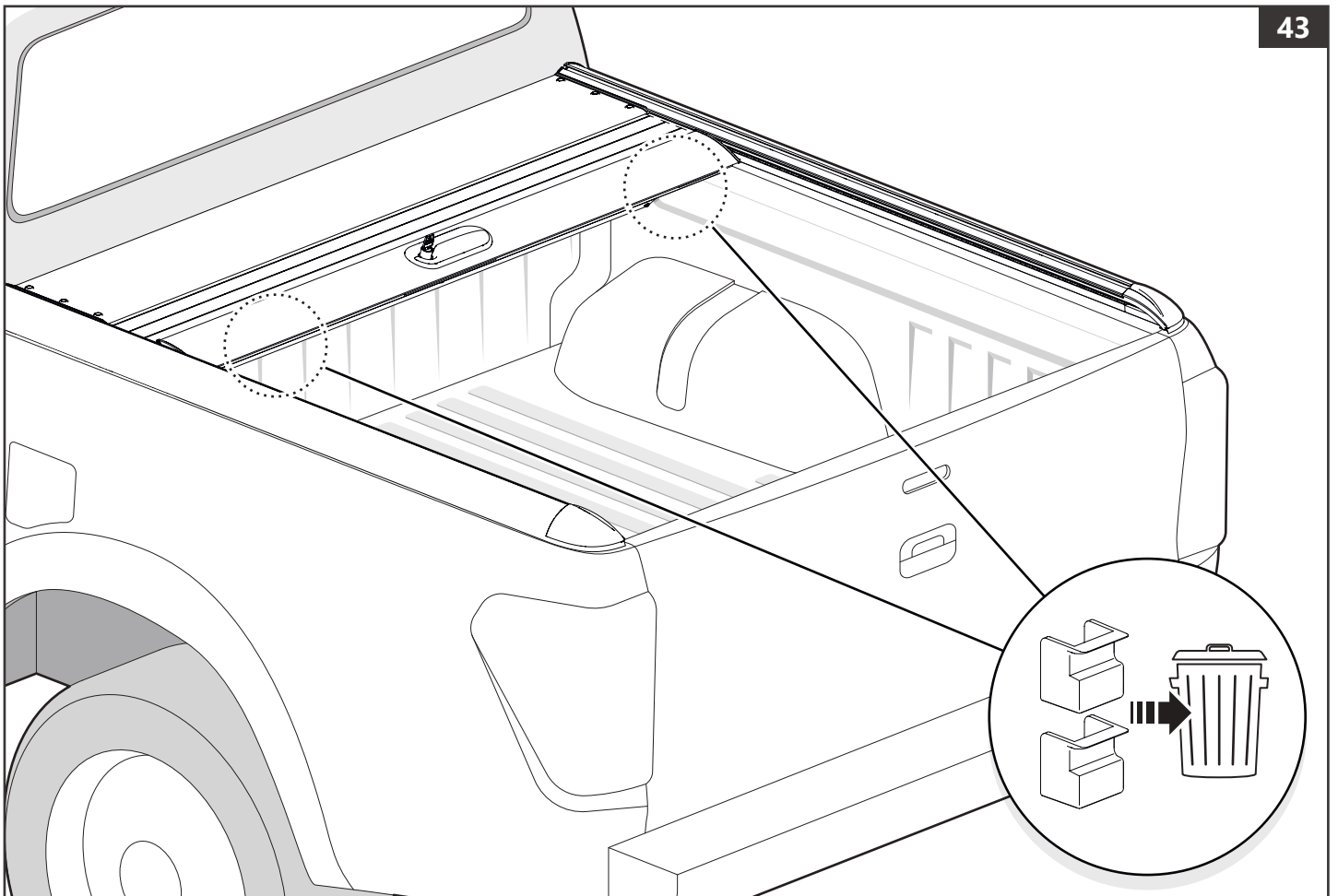
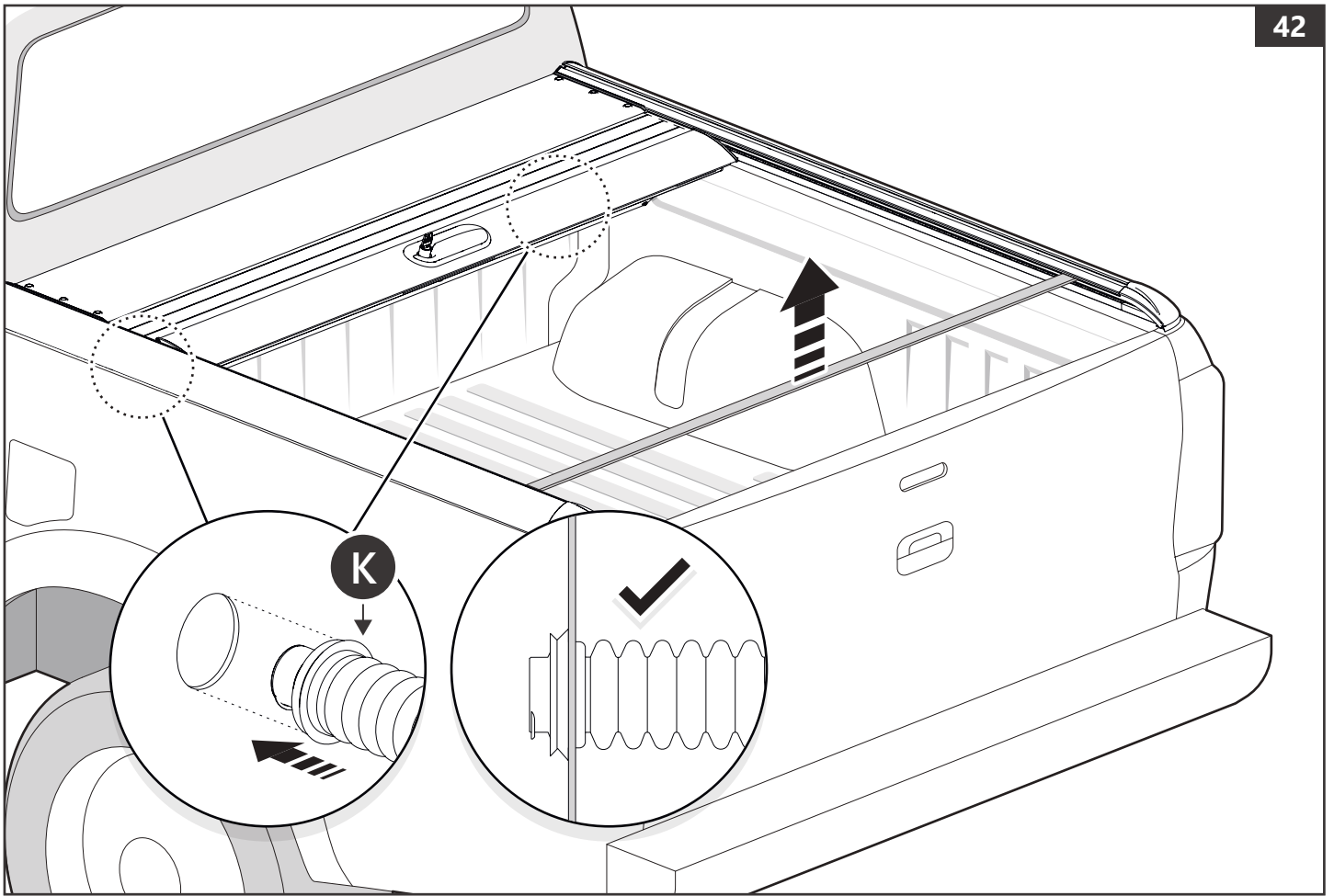


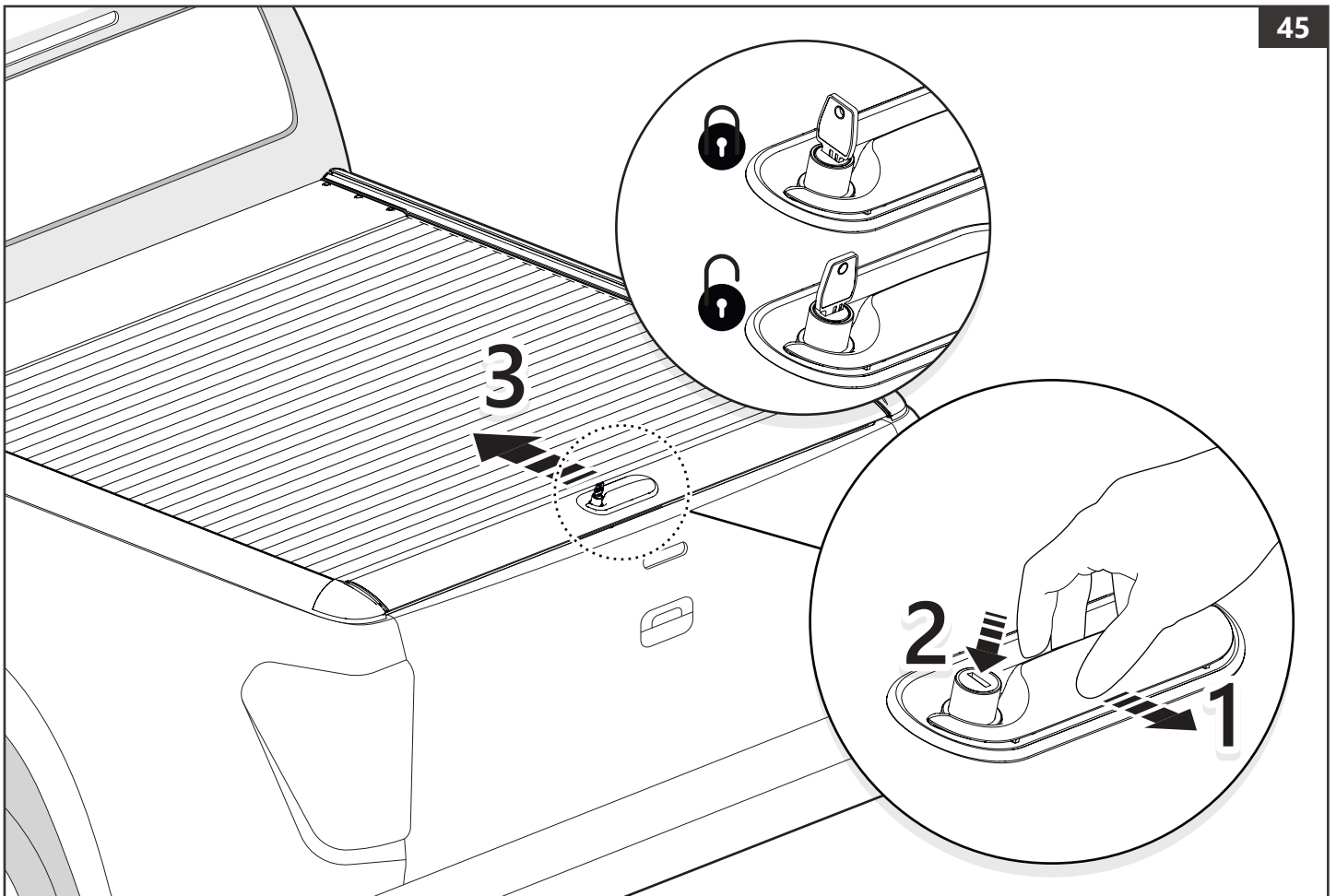
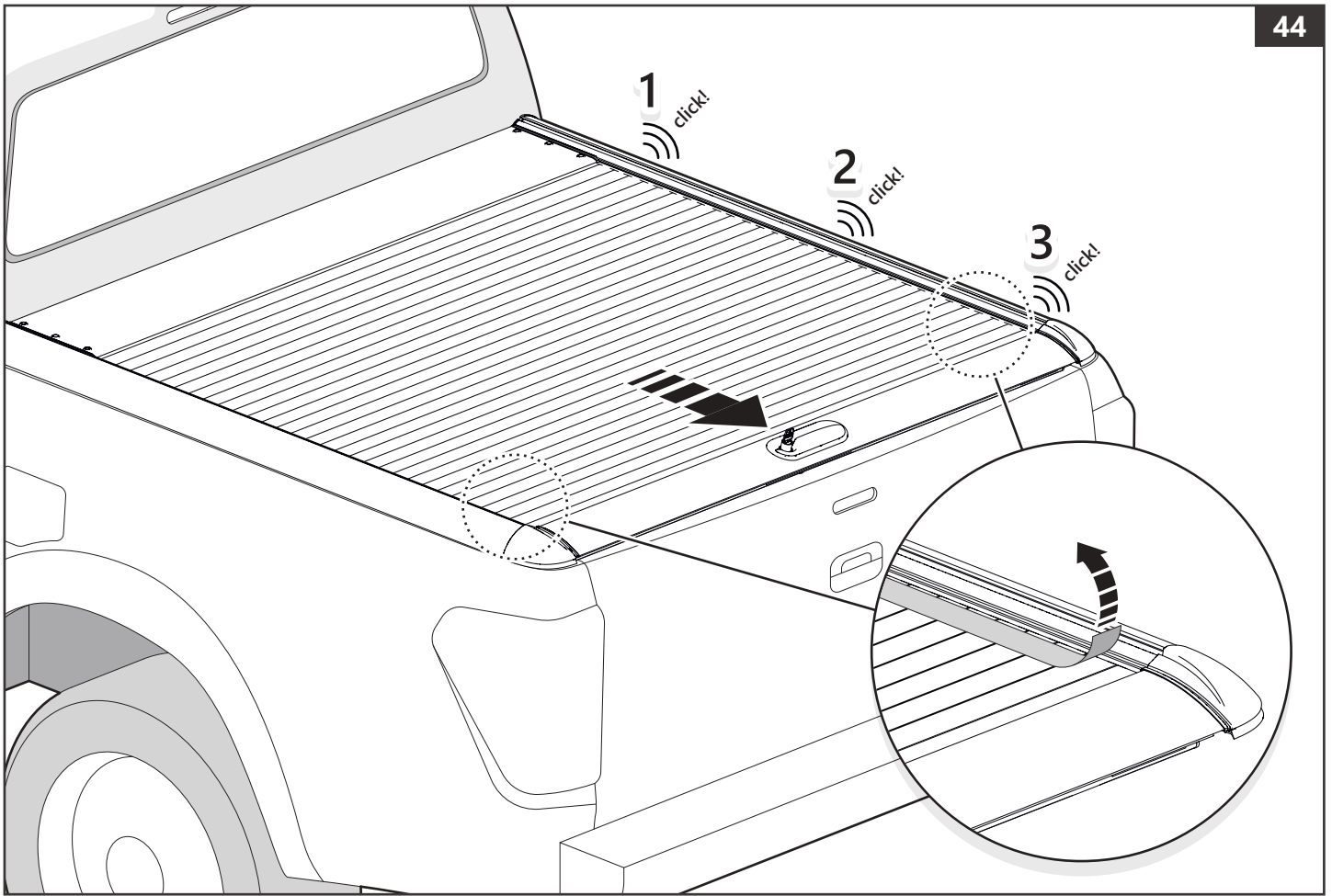


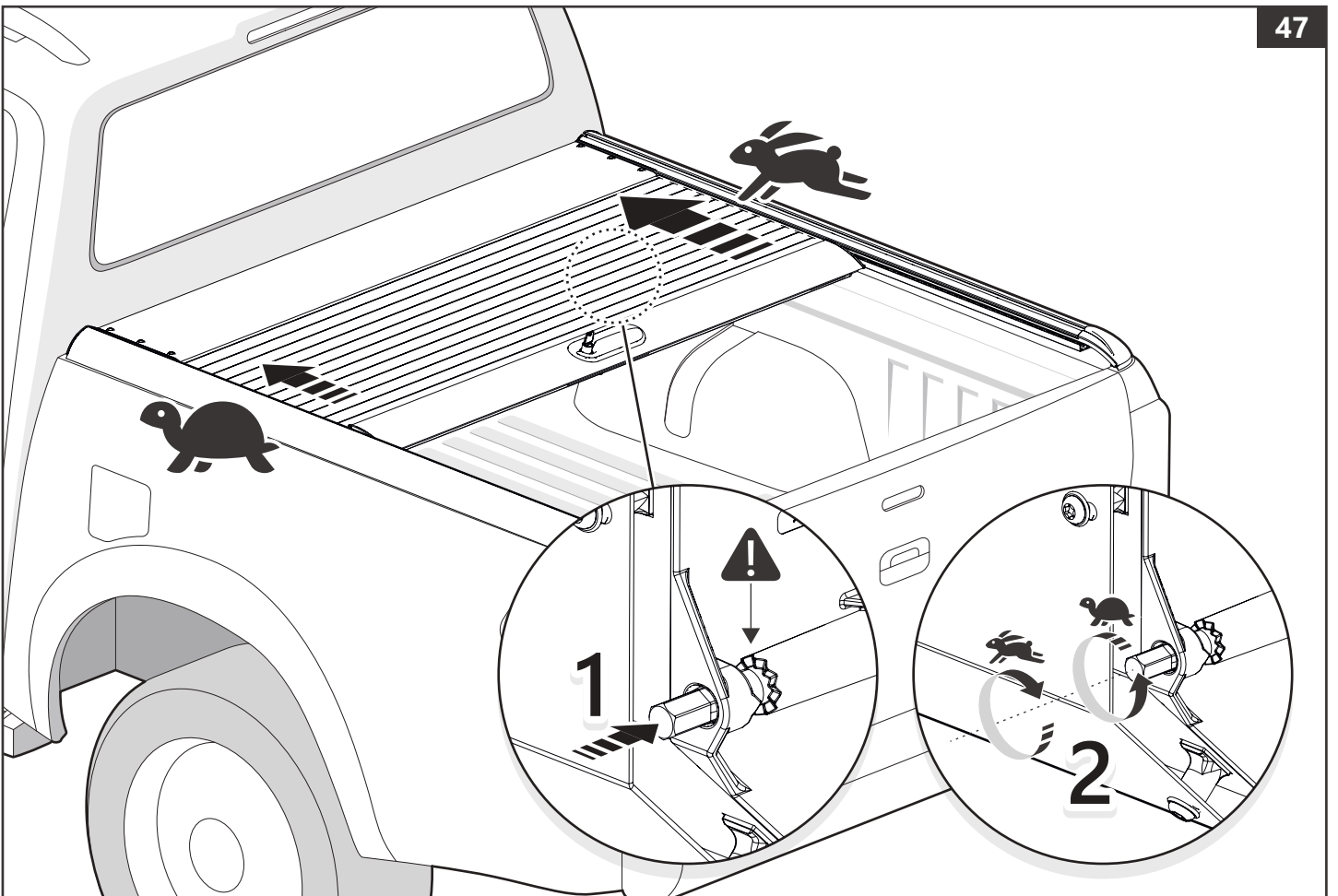
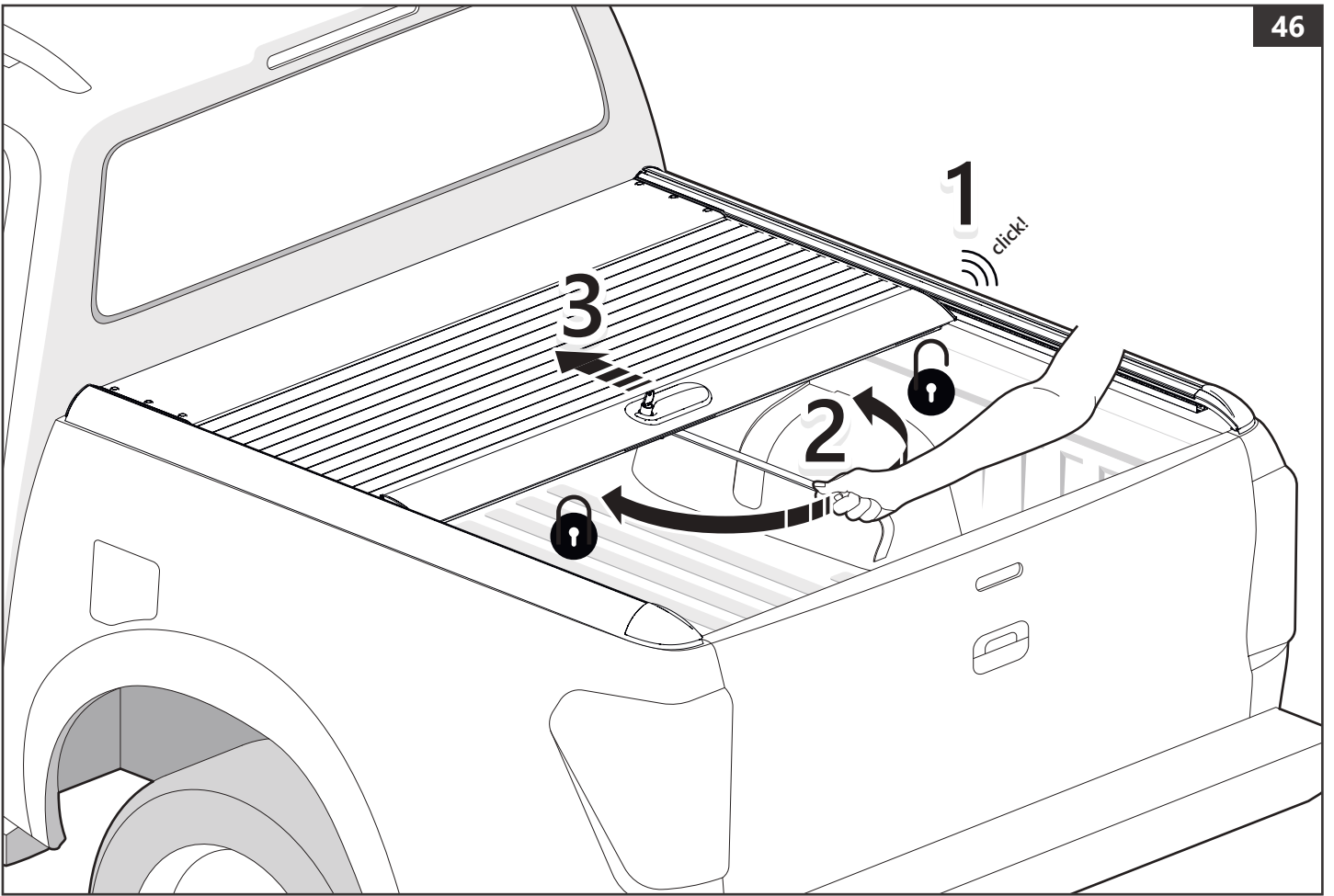


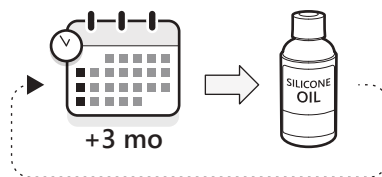
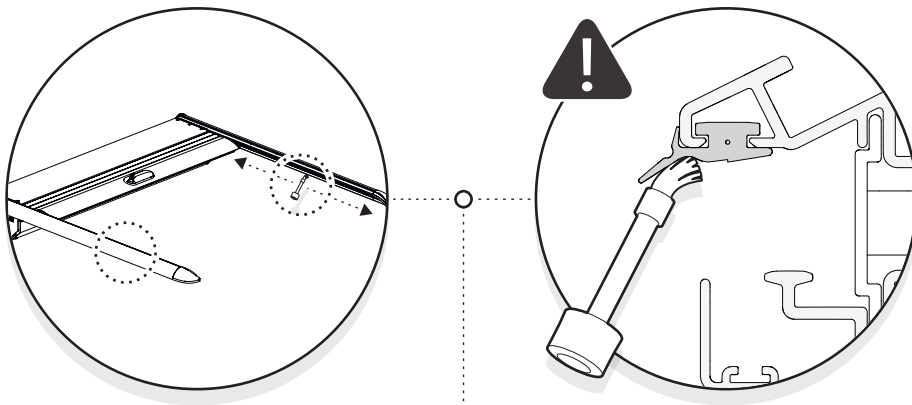
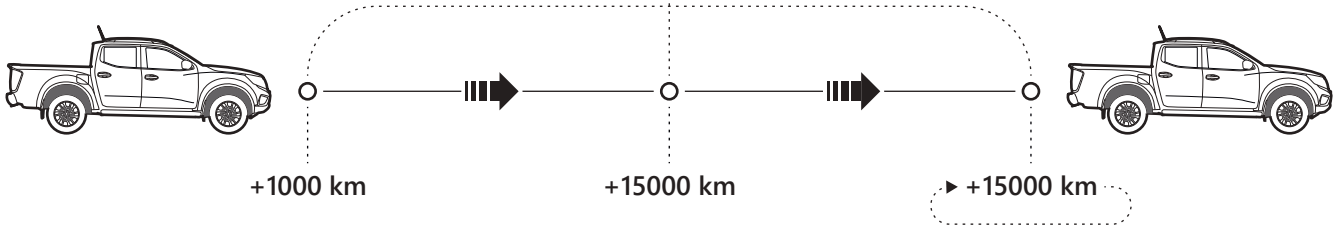
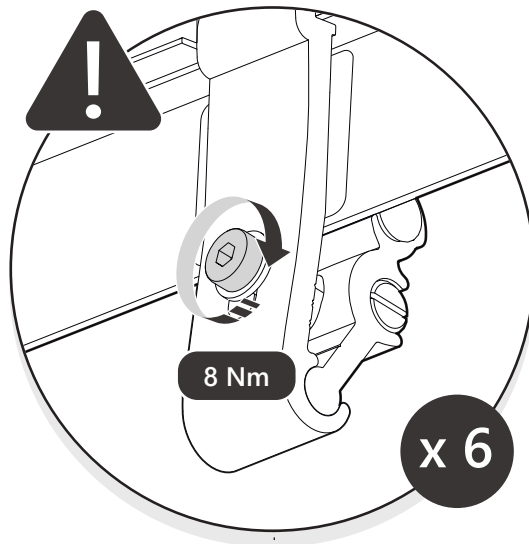














Customer Service +45 4810 2950 (08:00 - 16:00 CET)
Fax +45 4810 2960
Support info@mountaintop.dk
Website www.mountaintop.dk
Address Pedersholmparken 10, 3600 Frederikssund, Denmark

PART NUMBER(S)	MODEL / YEAR	CAB TYPE(S)	INSTALLATION TIME	WEIGHT
MTR MB90 / MTRA MB90	Mercedes Benz / 2017 →	Double	2 hour(s)	31 - 36 Kg

GB Installation manual	S Monteringsanvisning	D Einbauanleitung
SF Asennusohje	E Instrucciones de montaje	CZ Návod k instalaci
F Notice de montage	H Szerelési utasítás	I Istruzioni de montaggio
PL Instrukcja montażu	P Instruções de instalação	GR Οδηγίες Εγκατάστασης
NL Installatie-instructies	RUS Инструкция по установке	DK Monteringsvejledning
TR Montaj Talimatı	N Monteringsveiledning	RO Instructiuni de instalare