

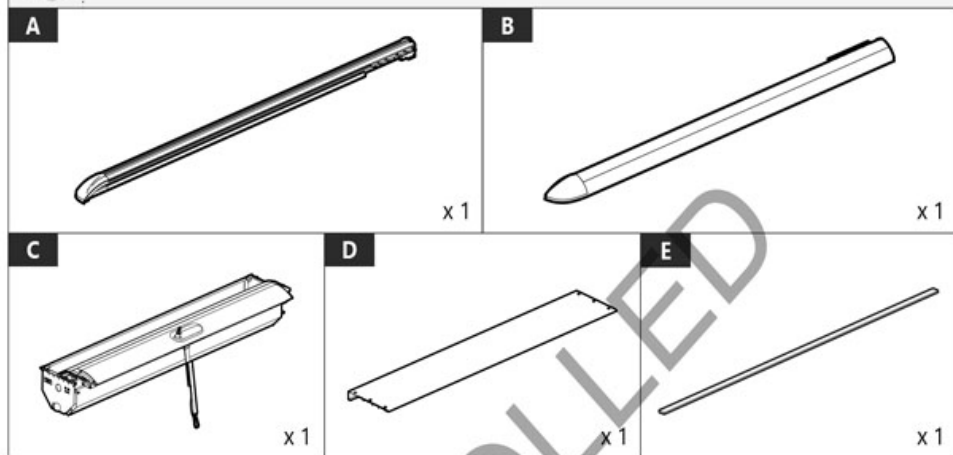
Mountain Top® Roll

Installation manual

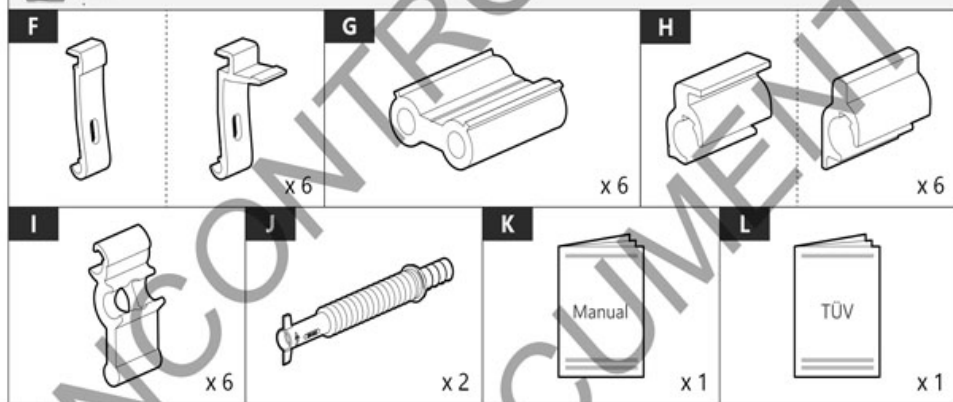


DOWNLOAD PDF

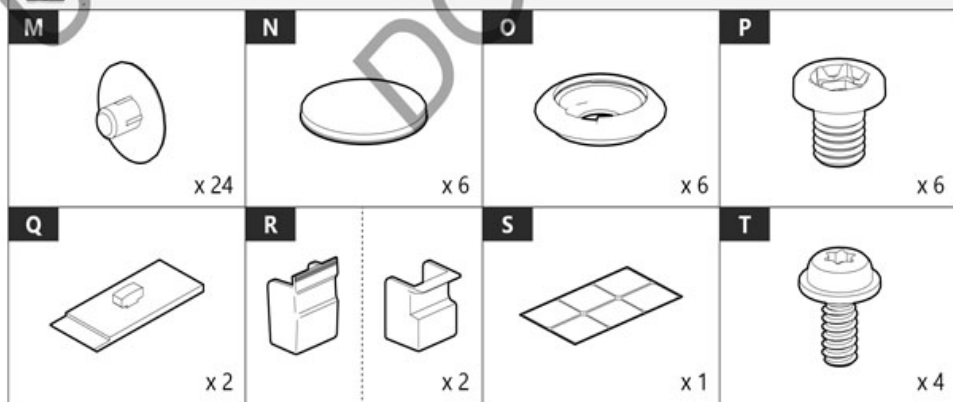
 Parts

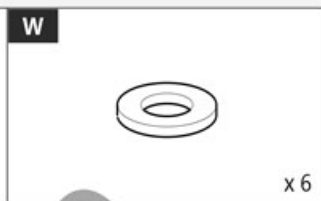
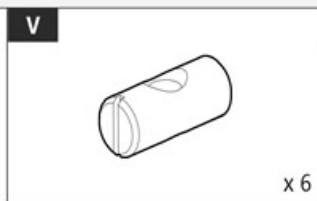
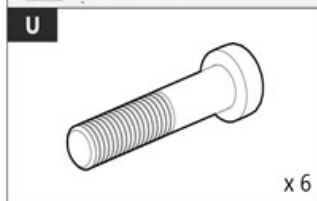


 Kit

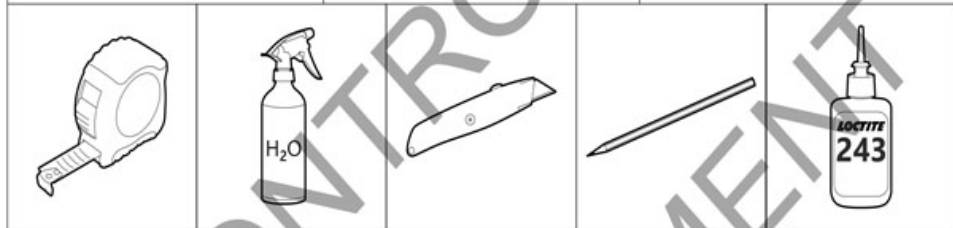
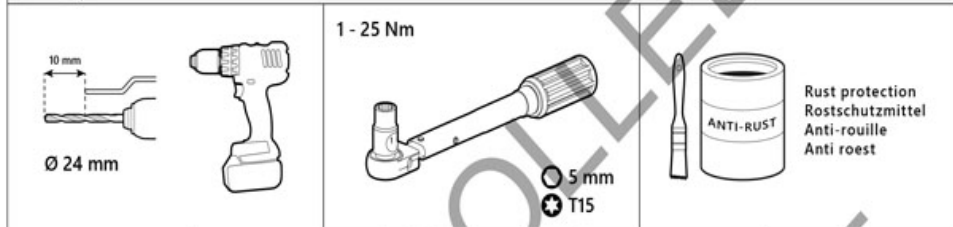


 Kit

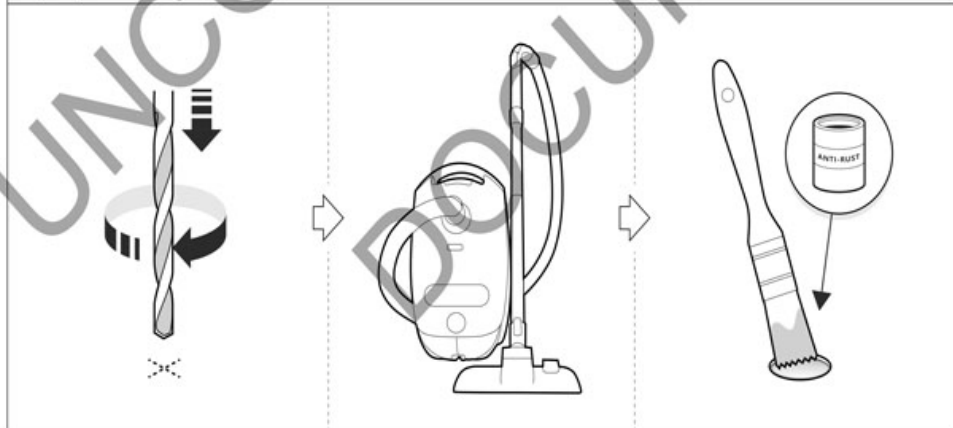


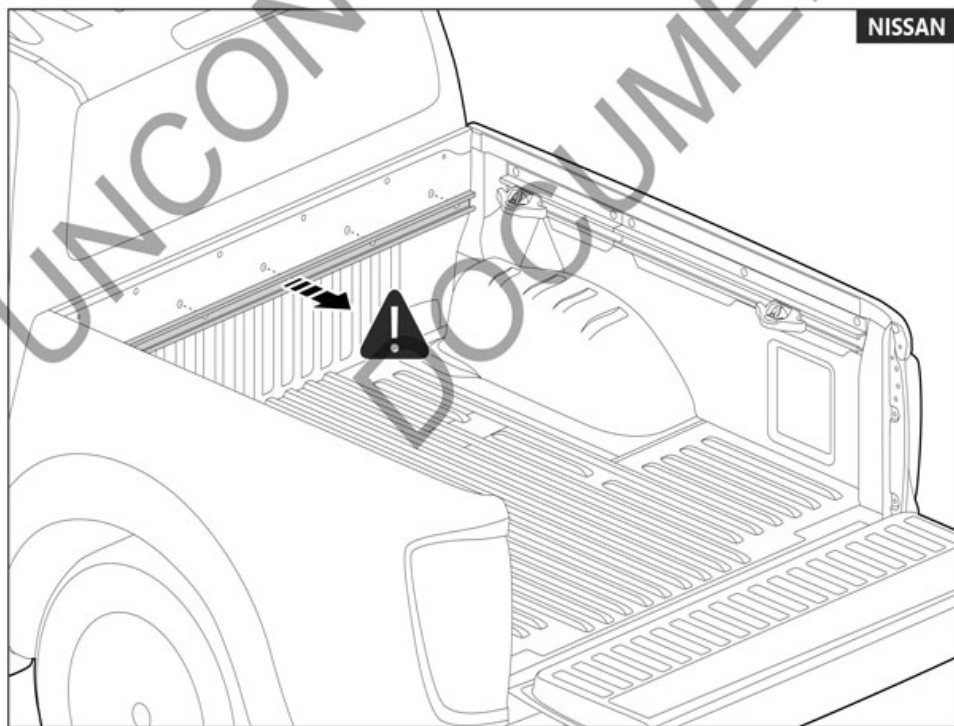
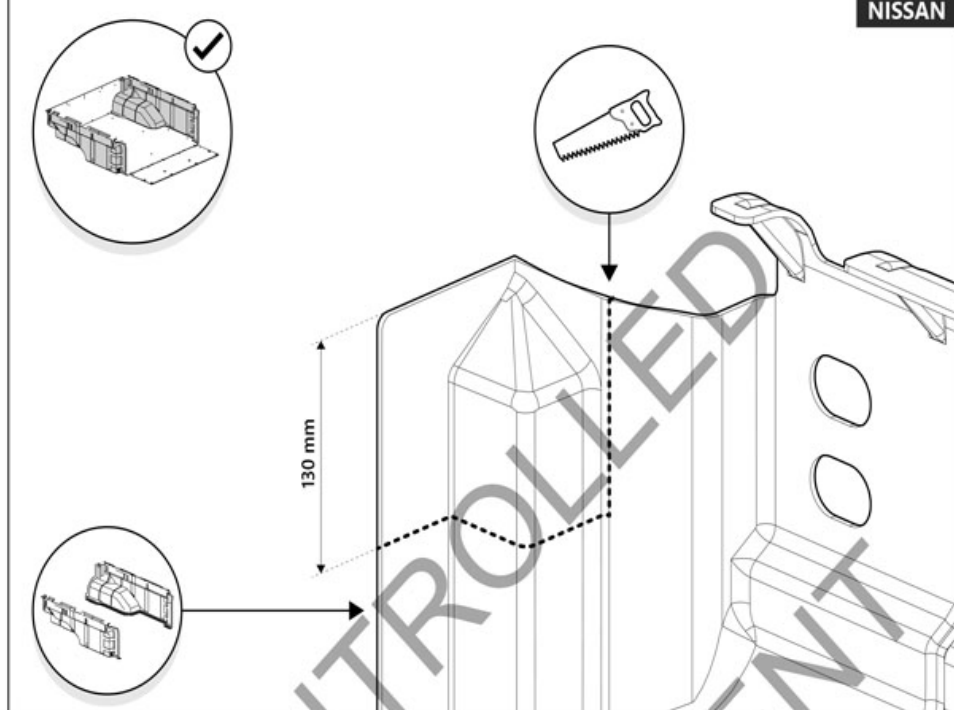


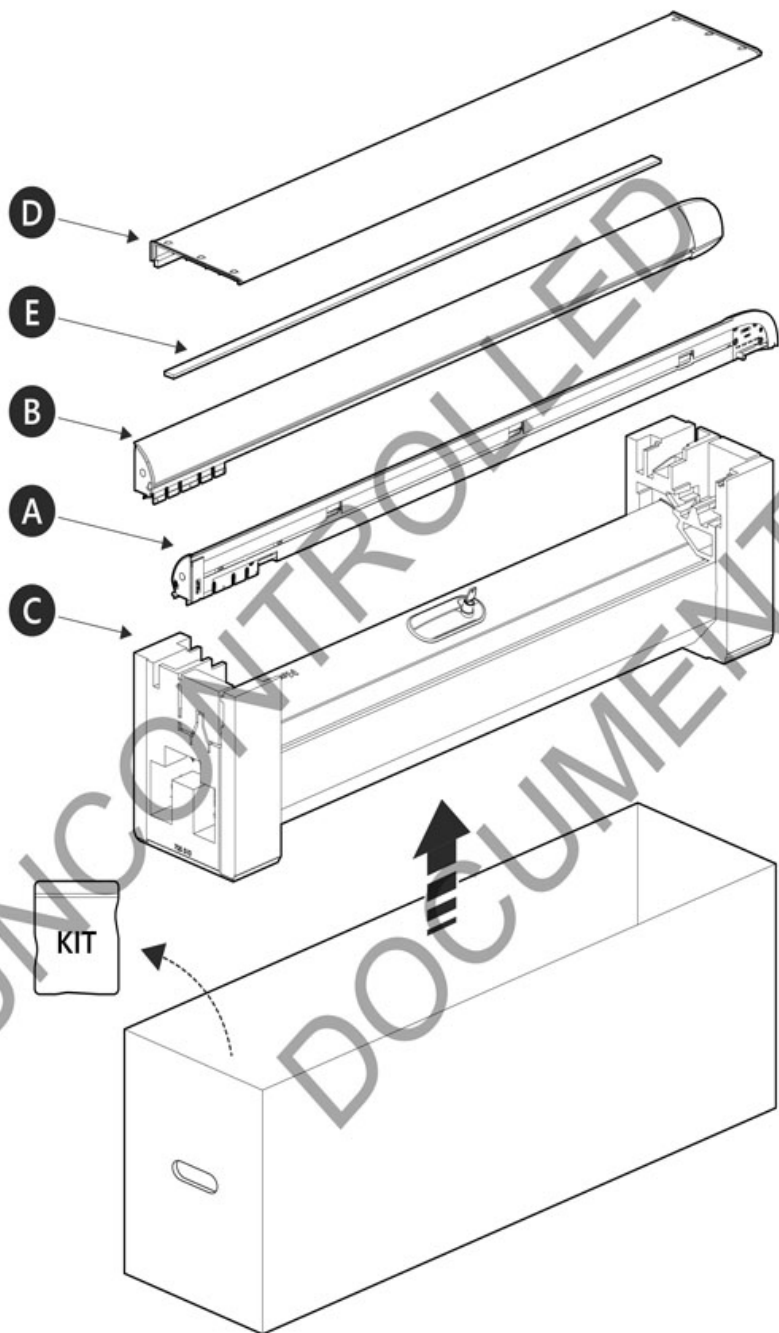
 Tools and materials needed

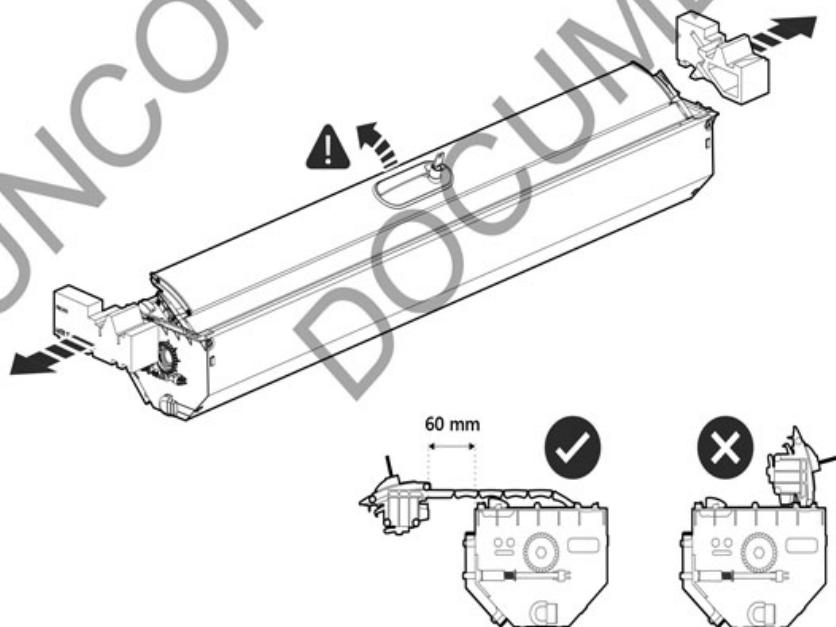
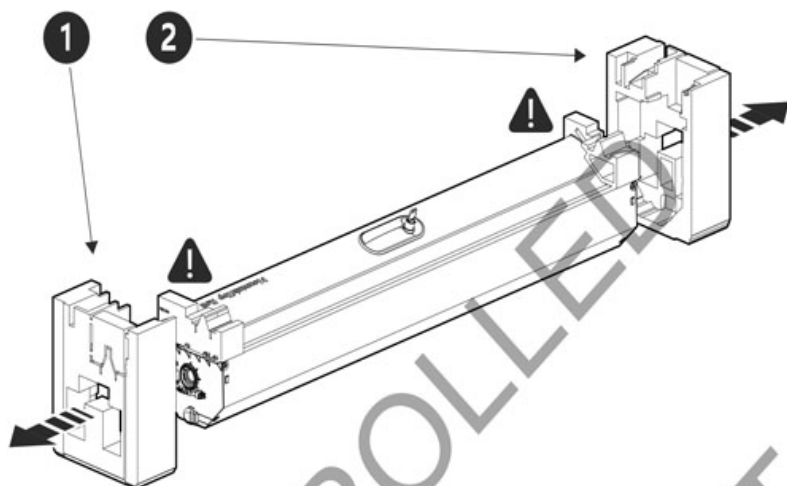


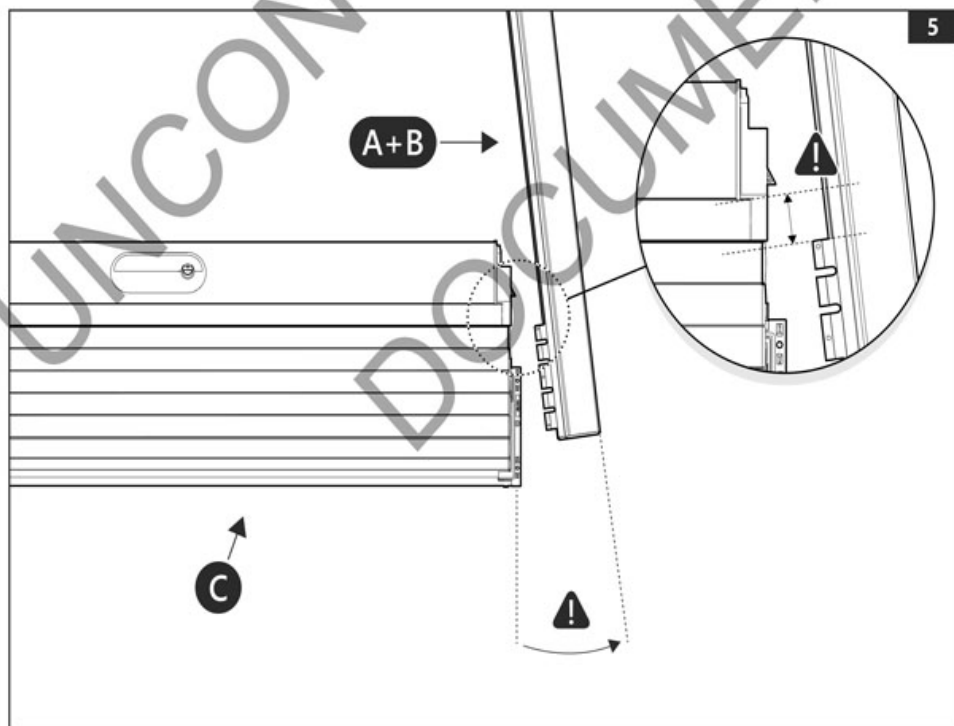
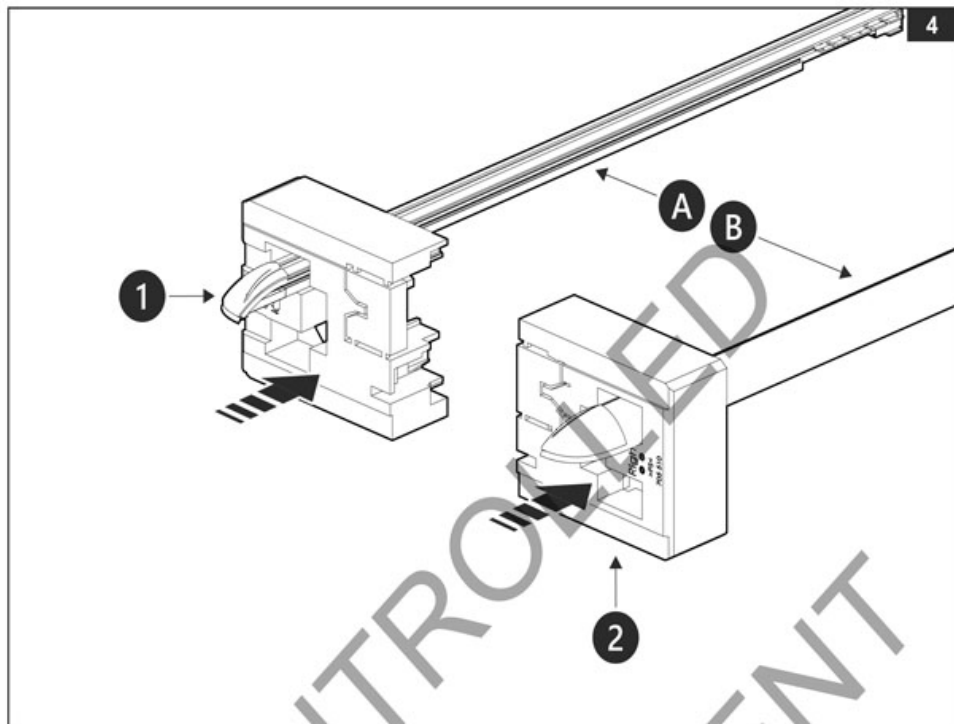
1 Applying rust protection

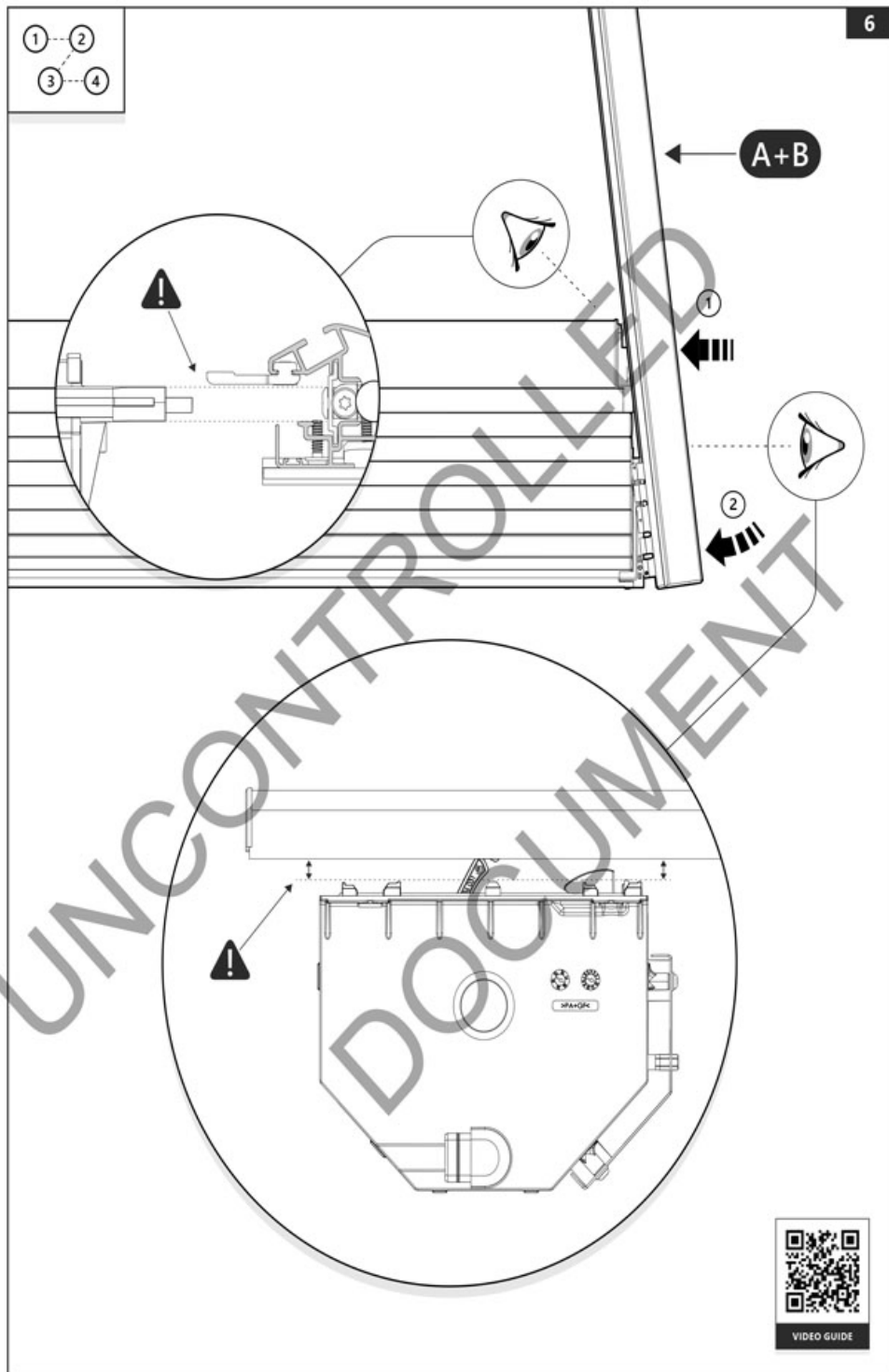
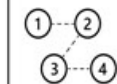


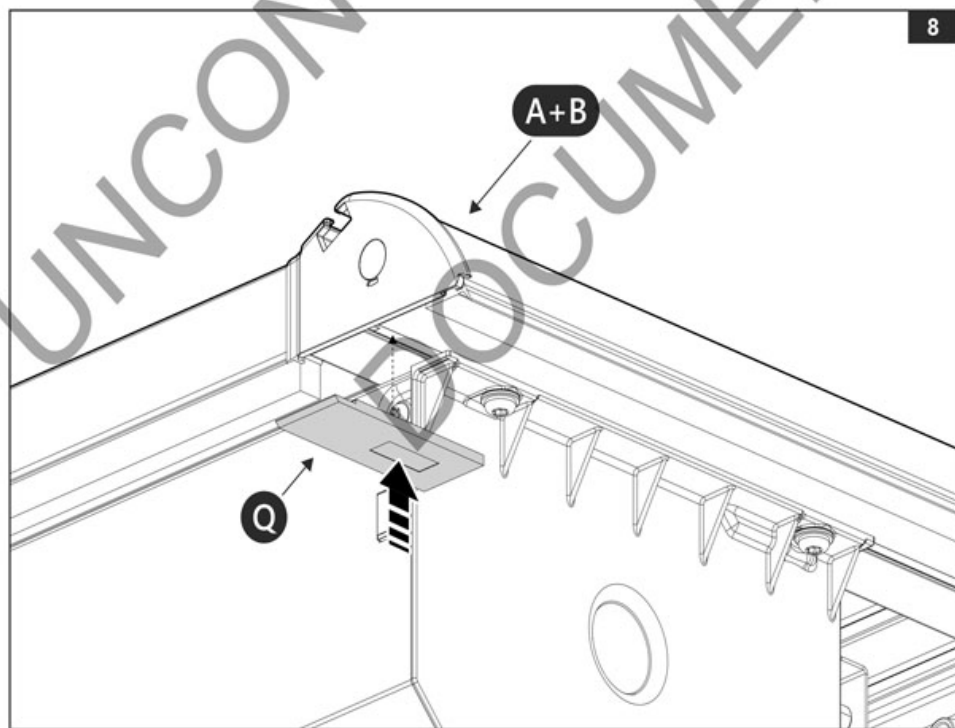
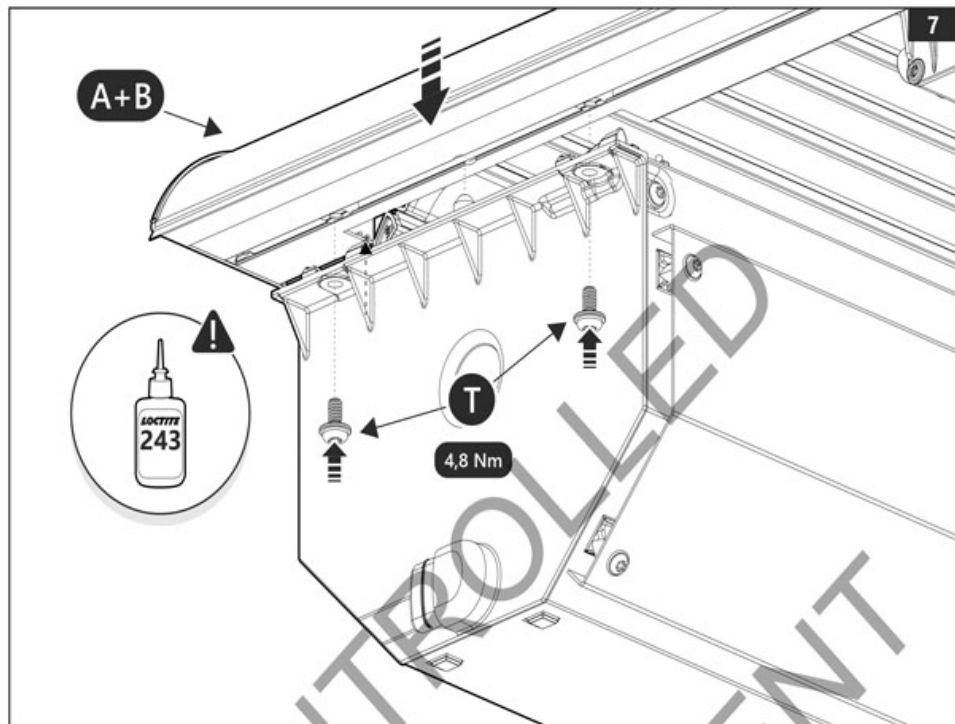


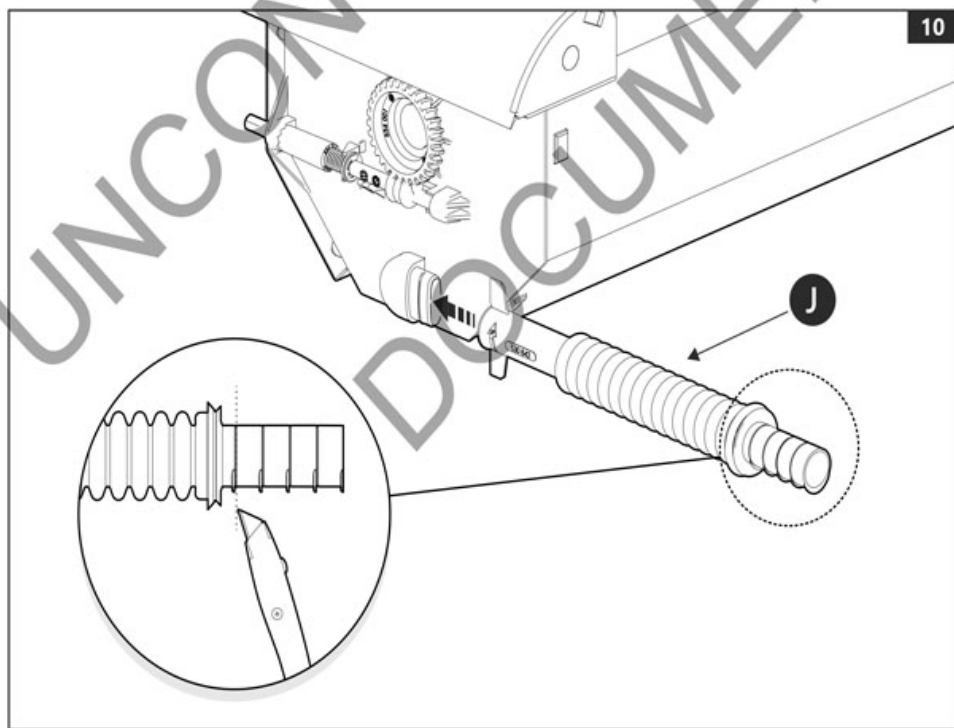
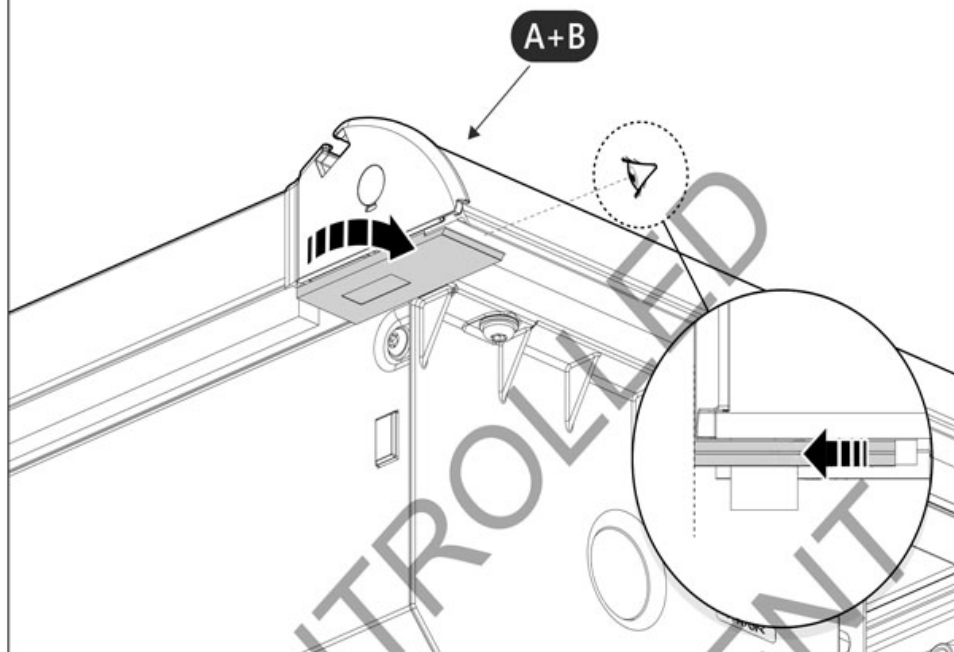


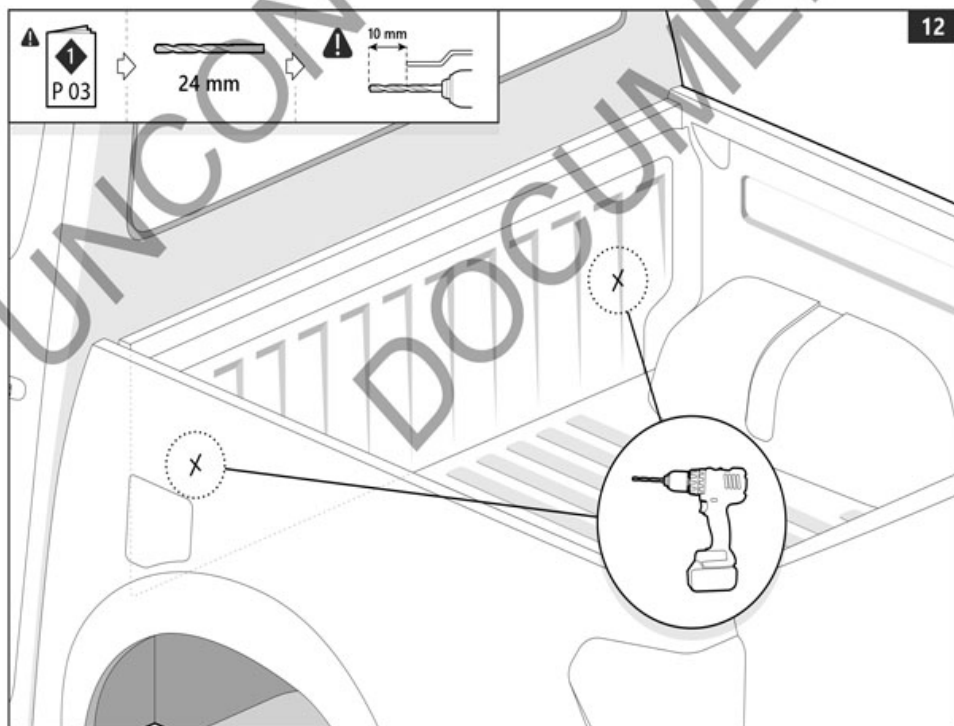
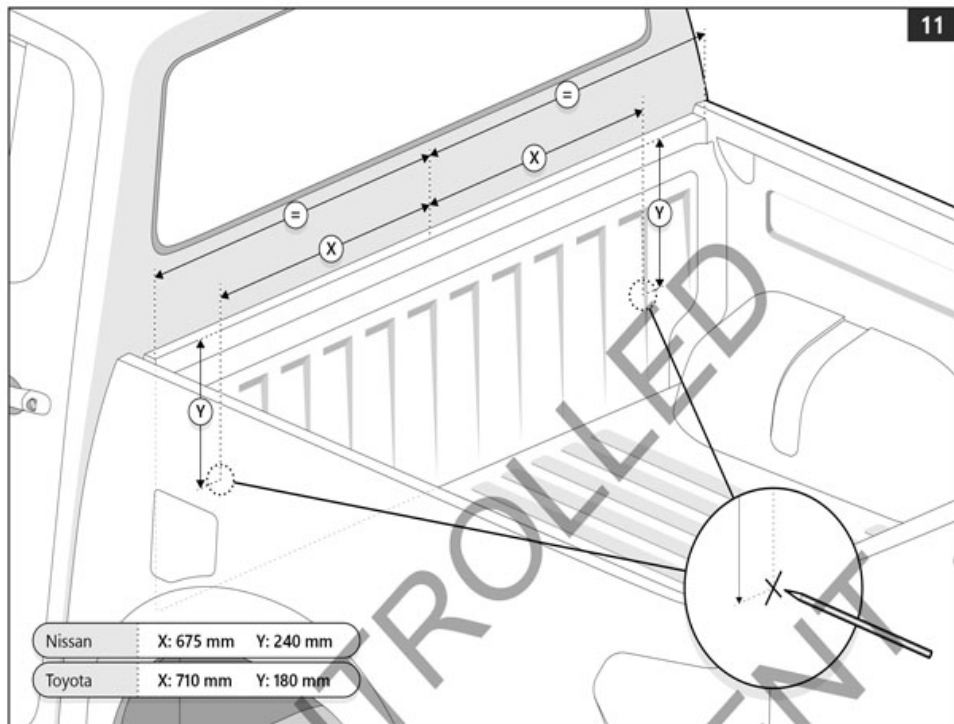


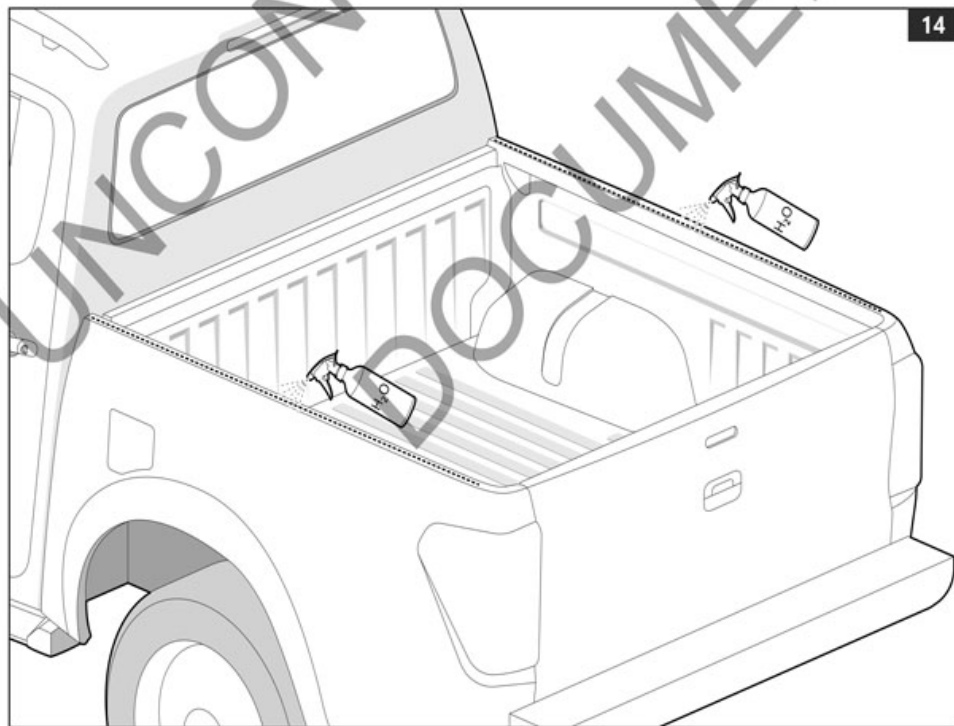
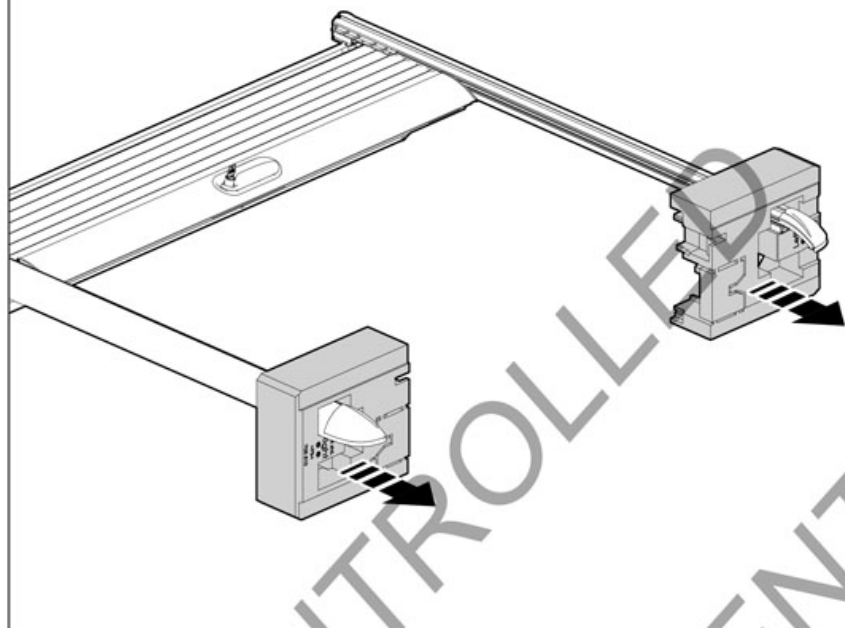


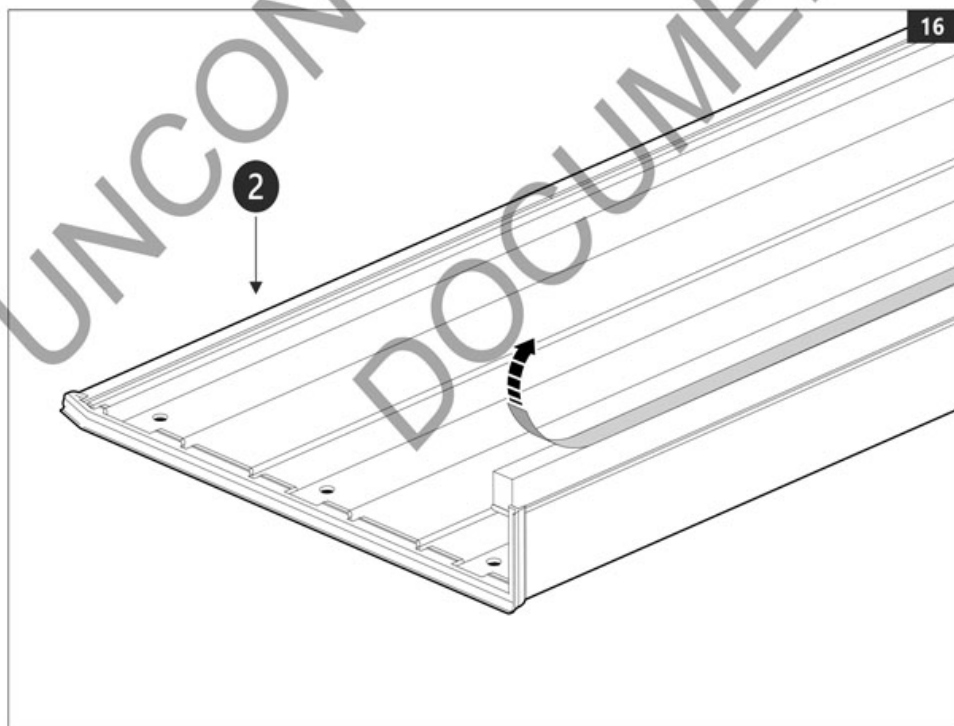
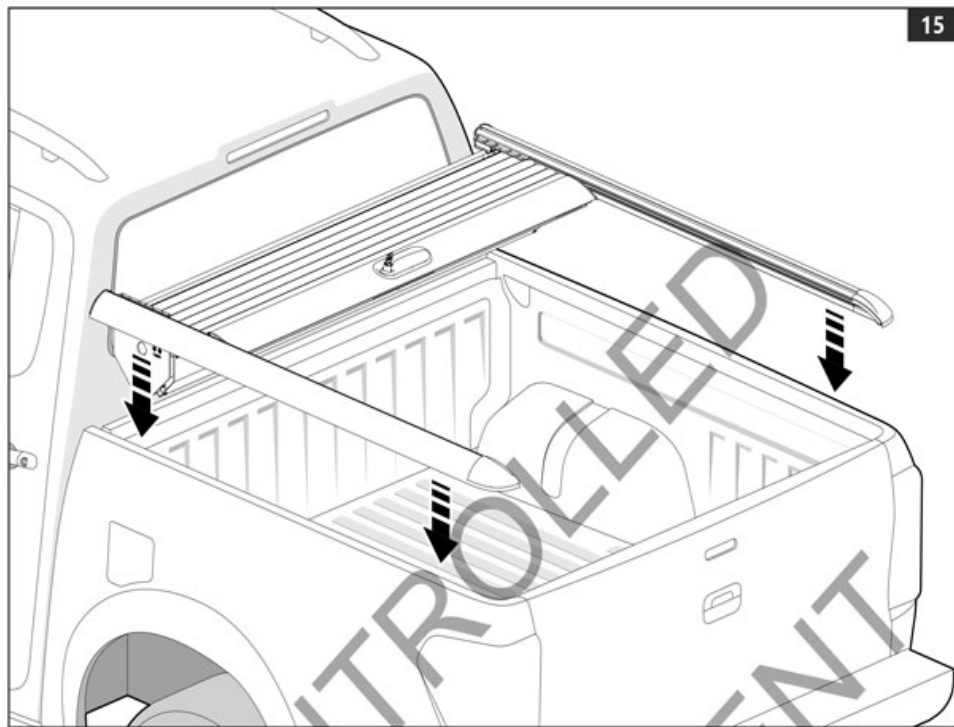


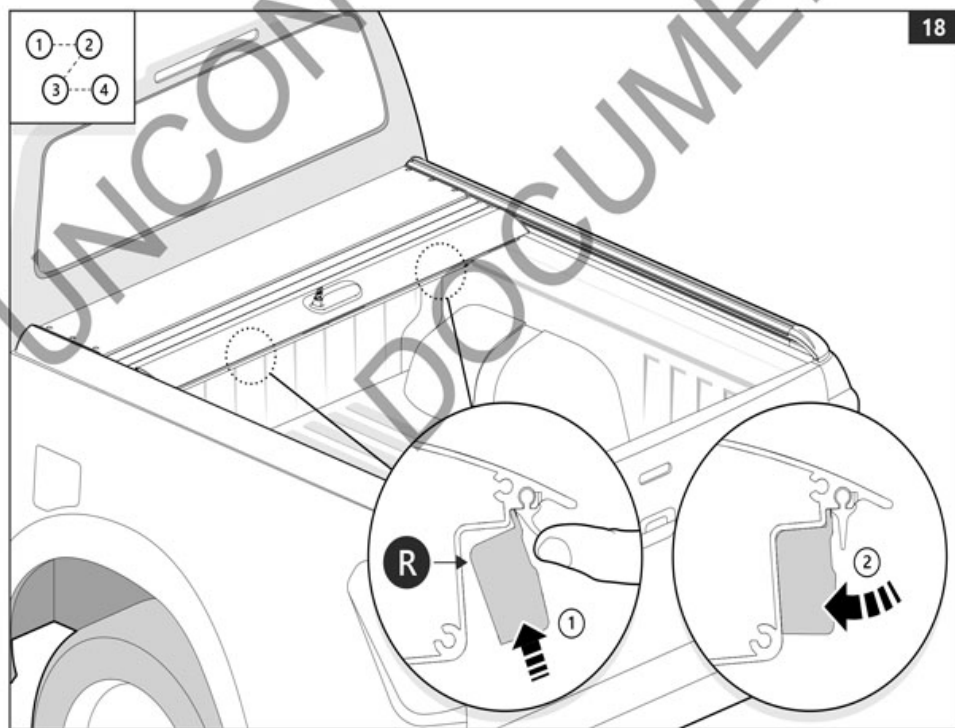
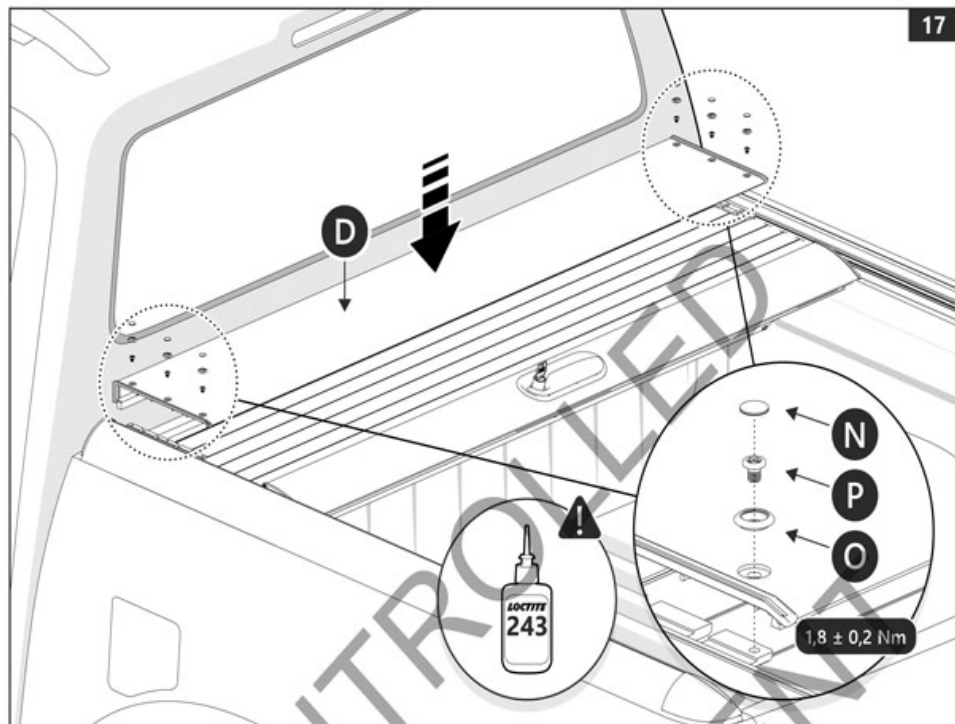


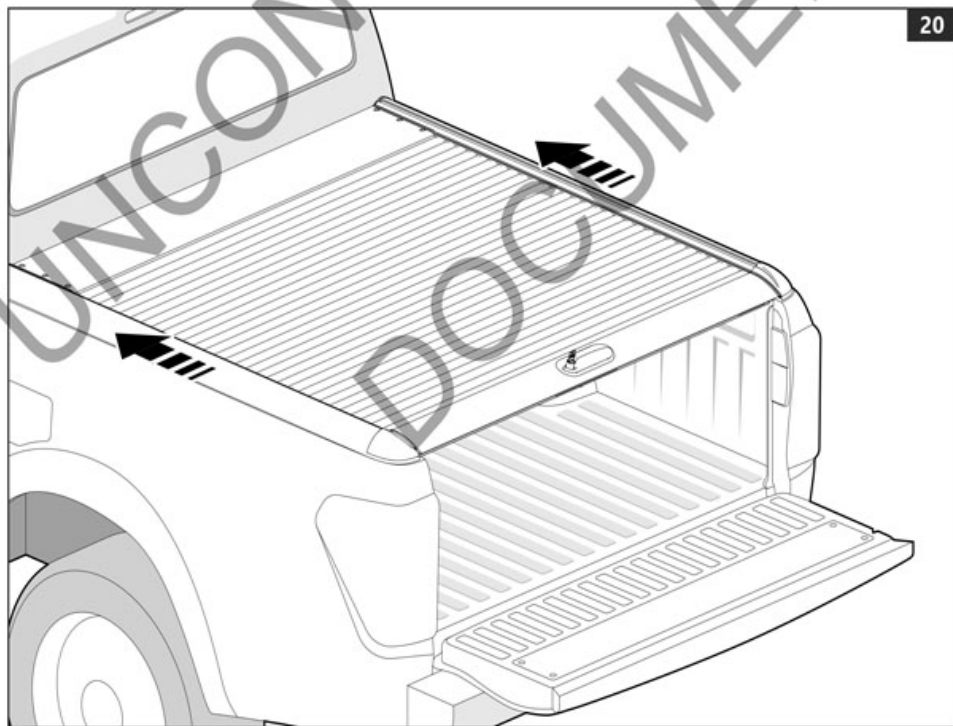
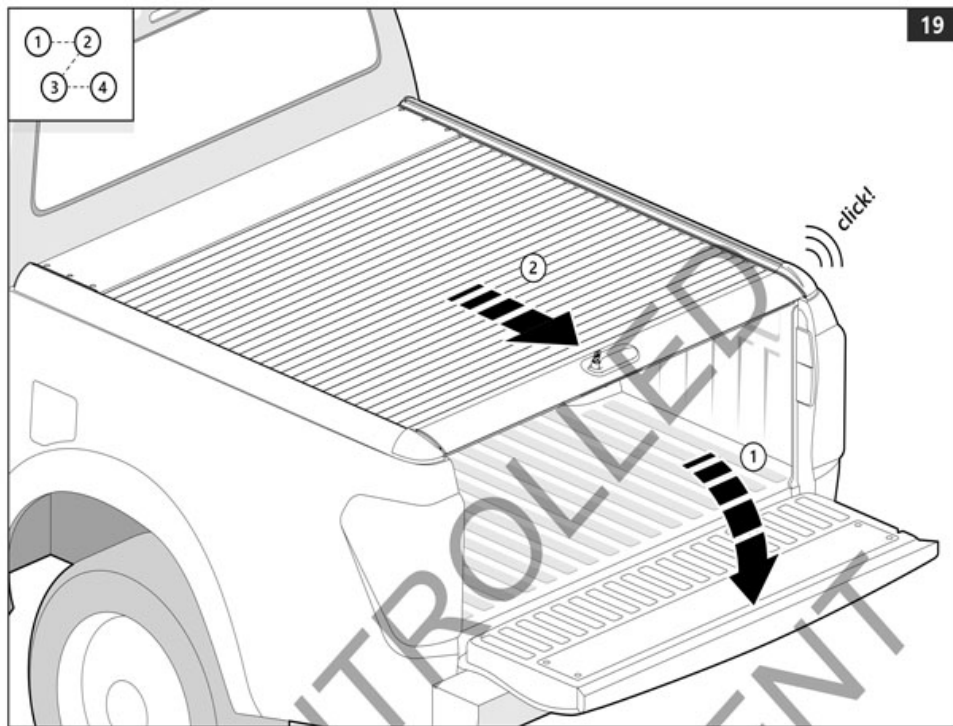


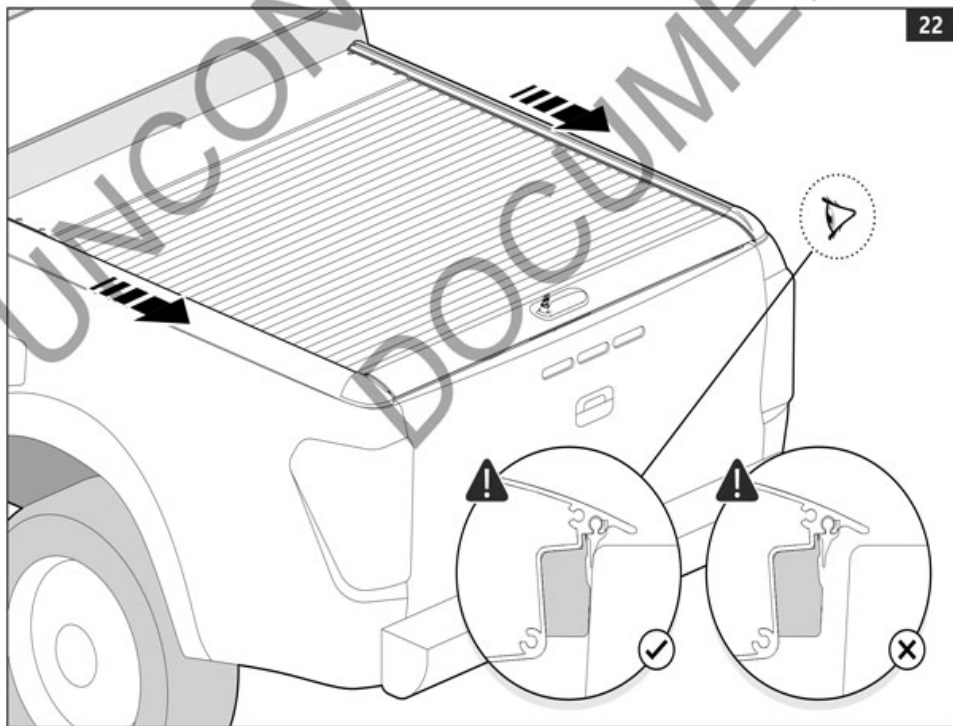
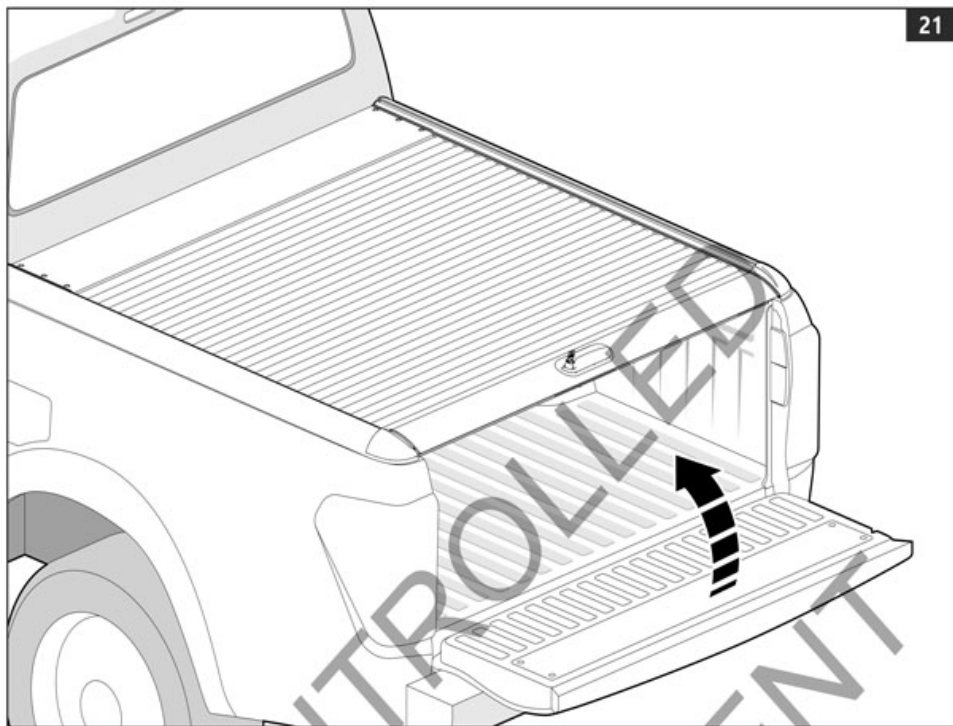


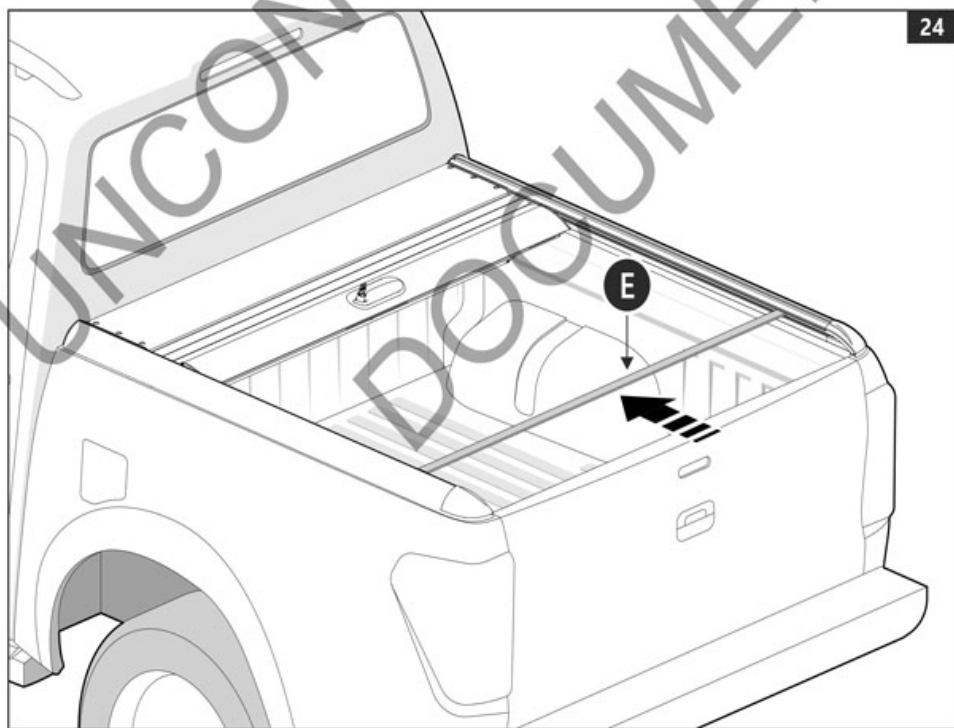
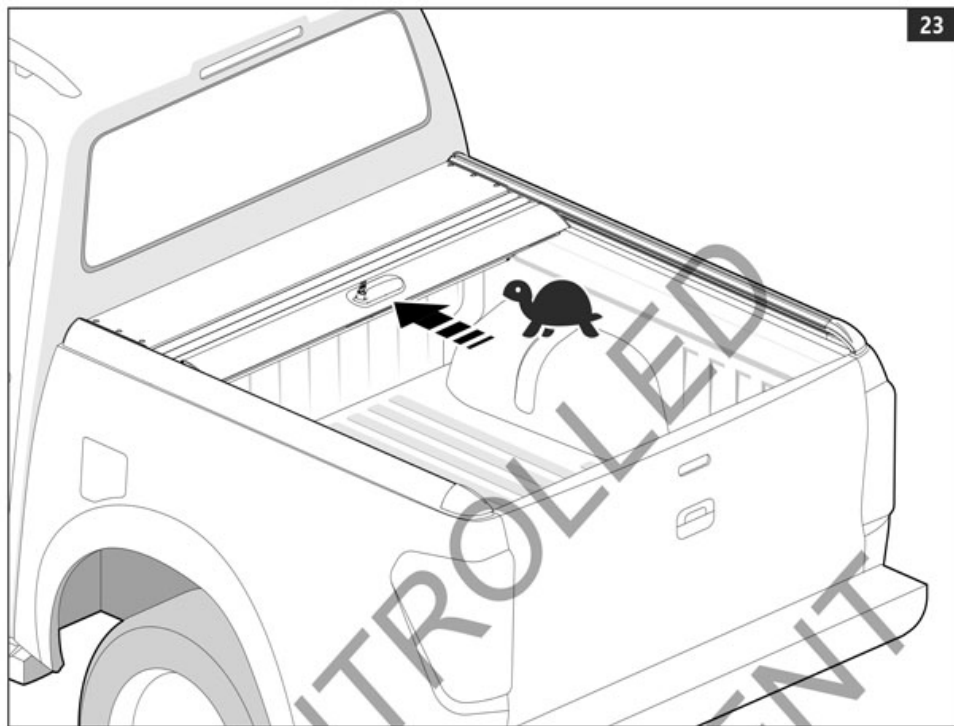


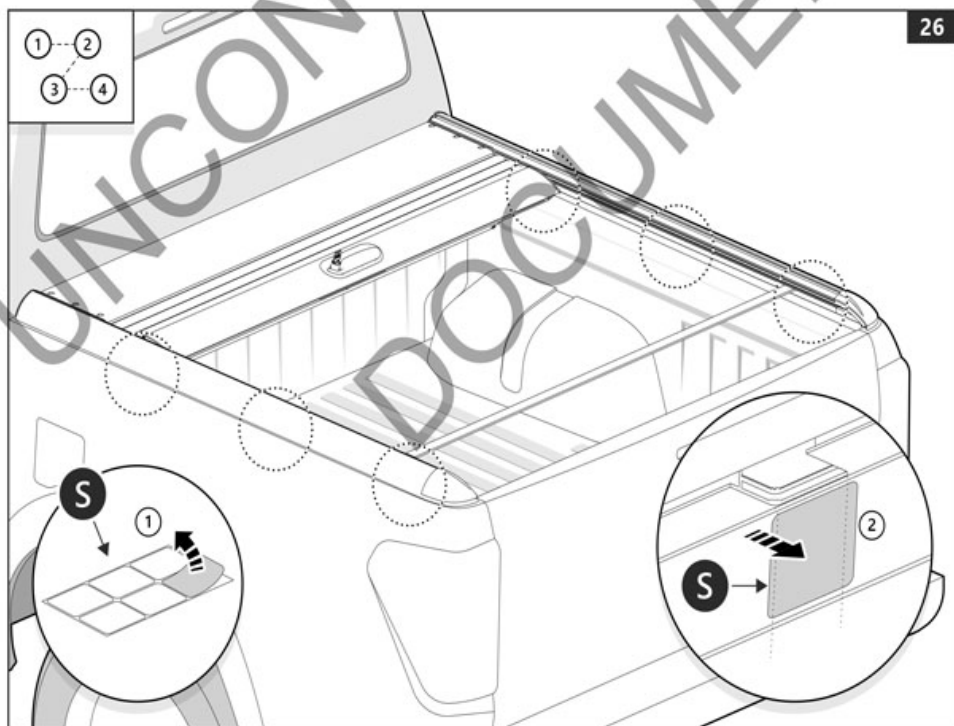
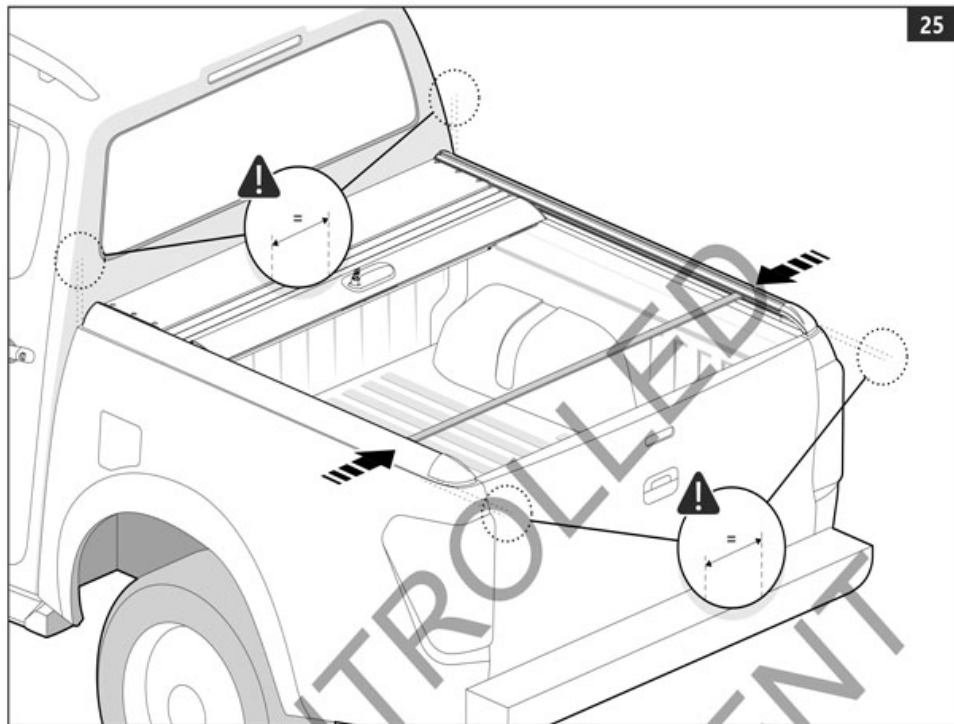


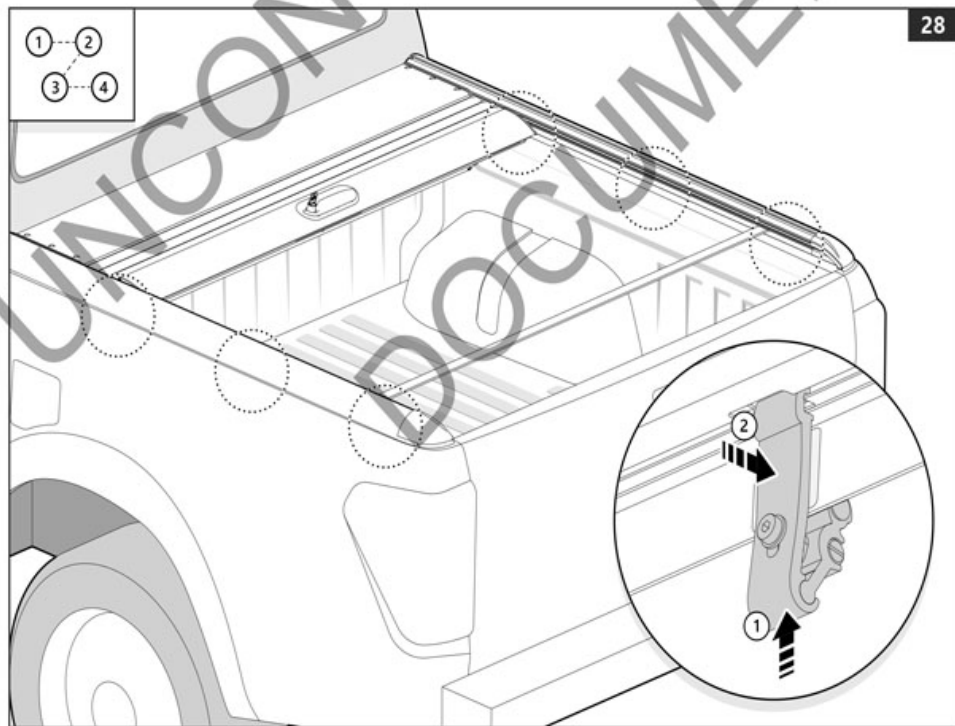
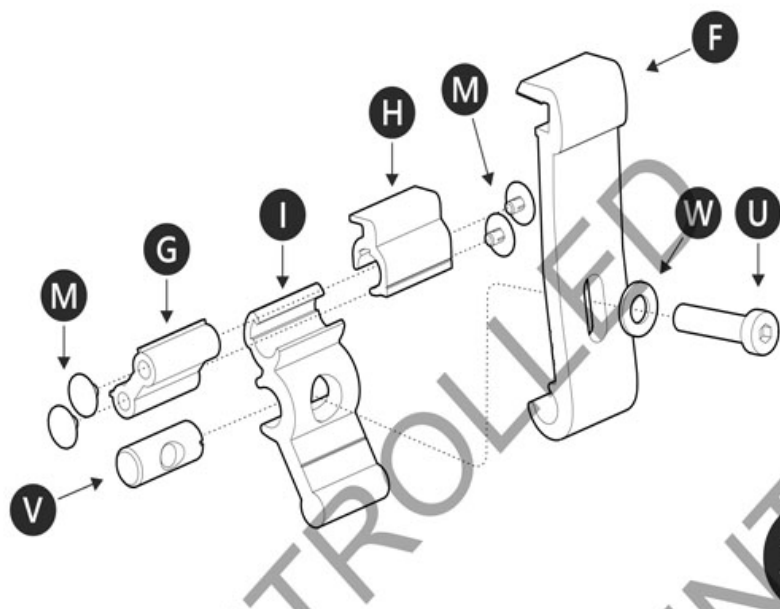


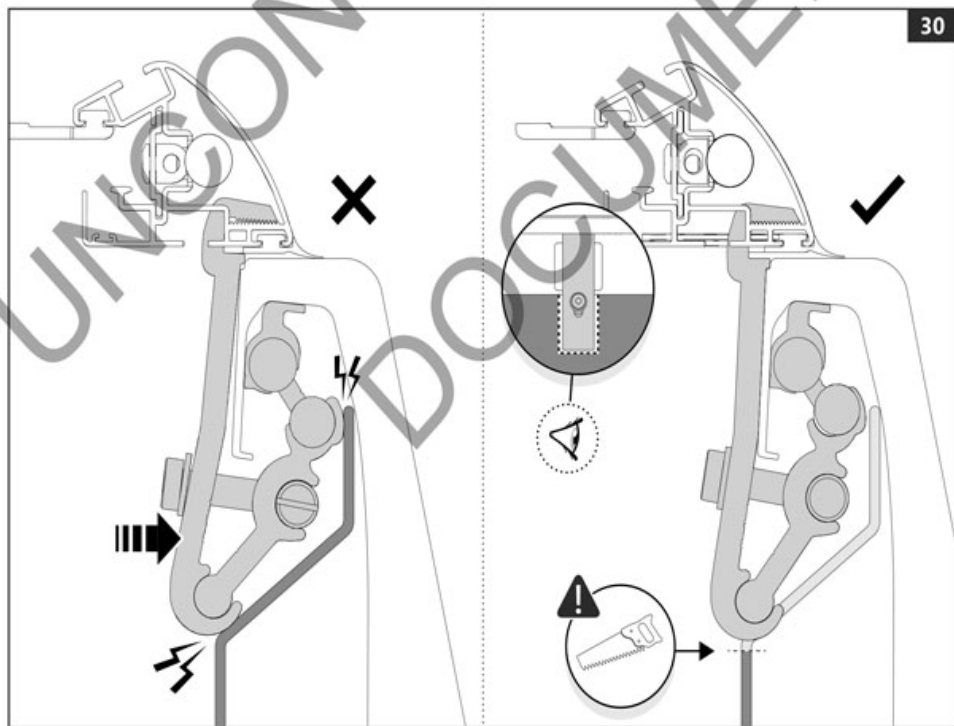
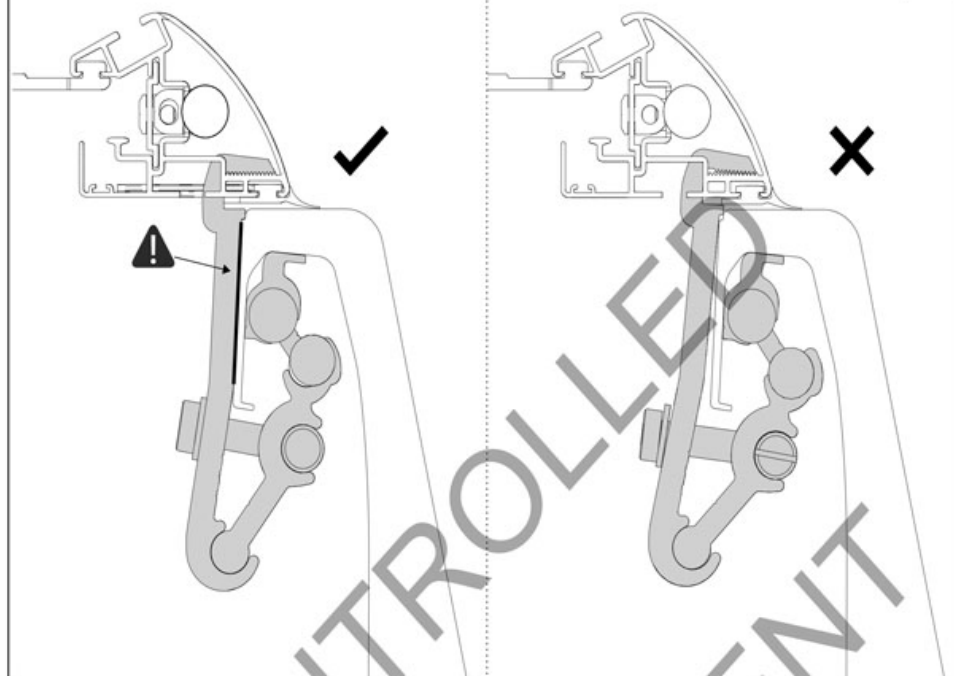


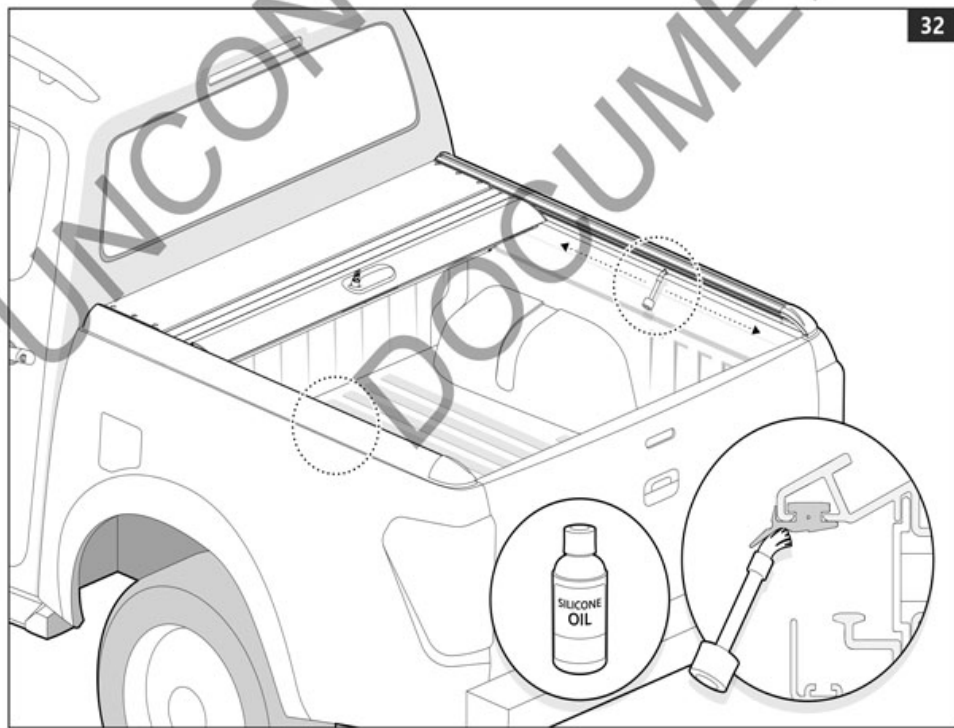
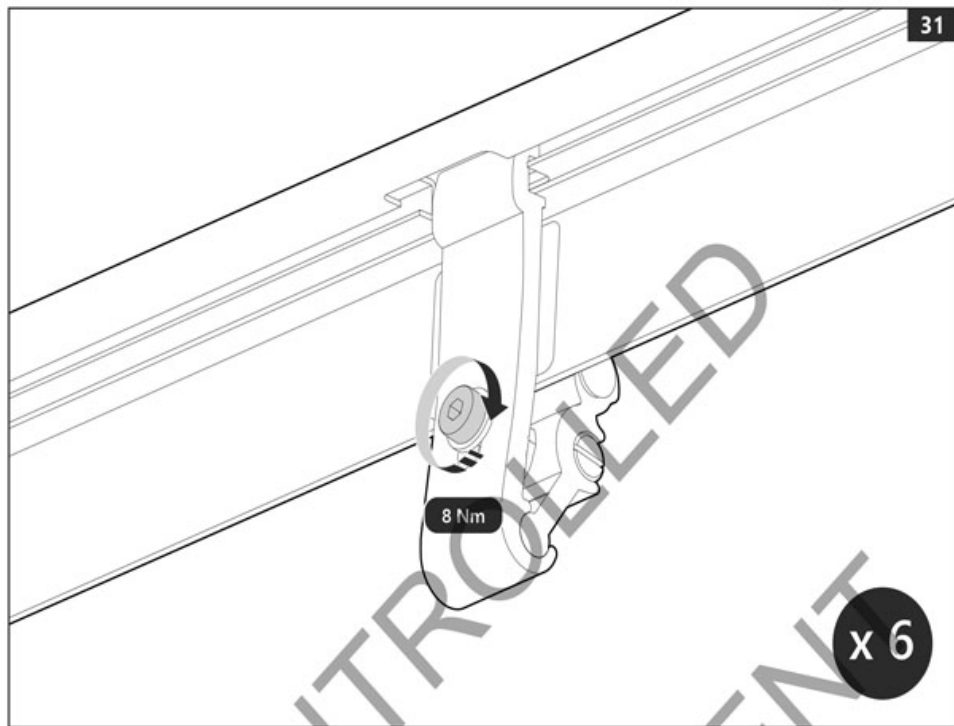


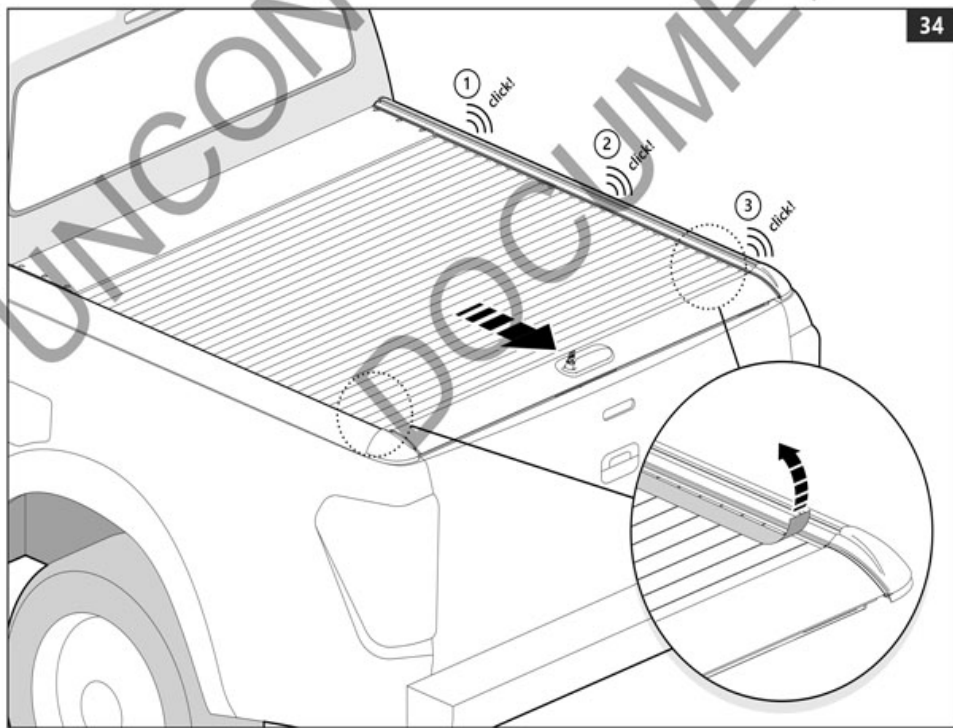
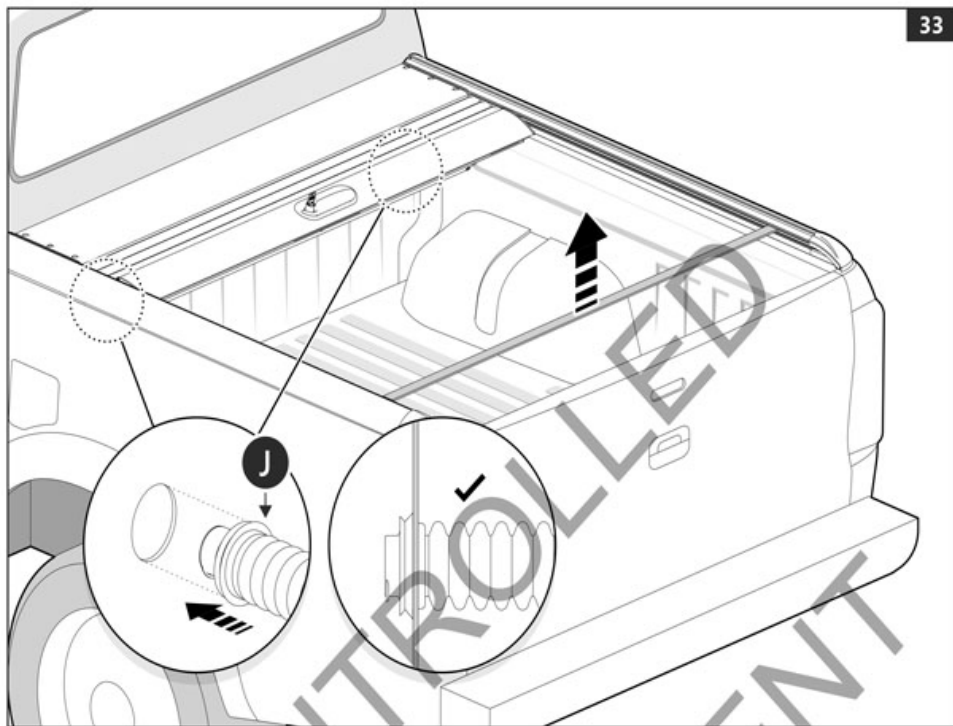


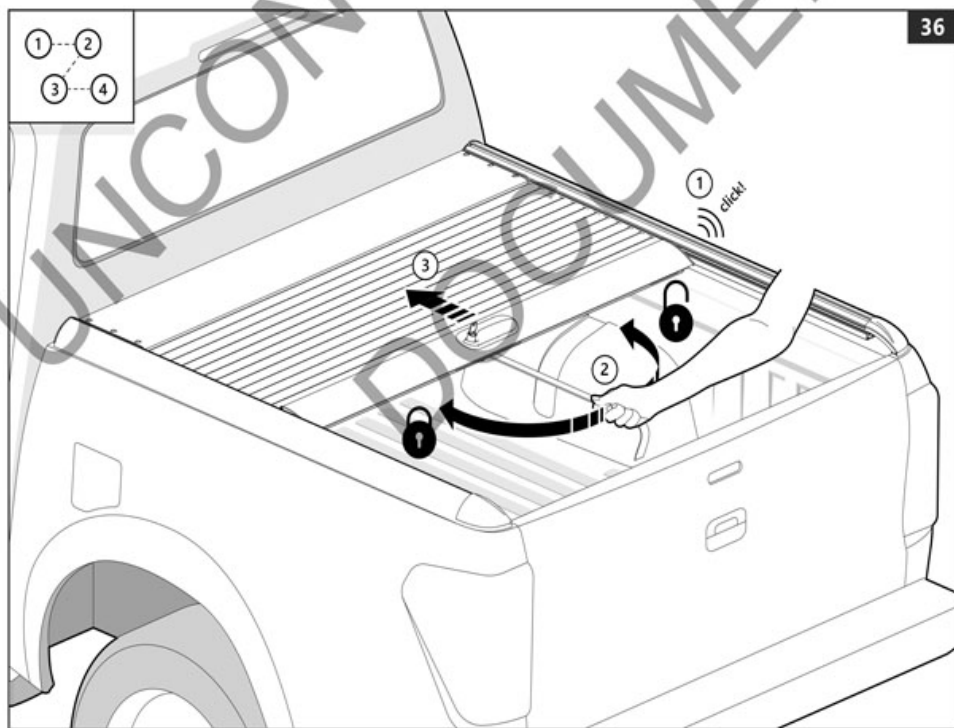
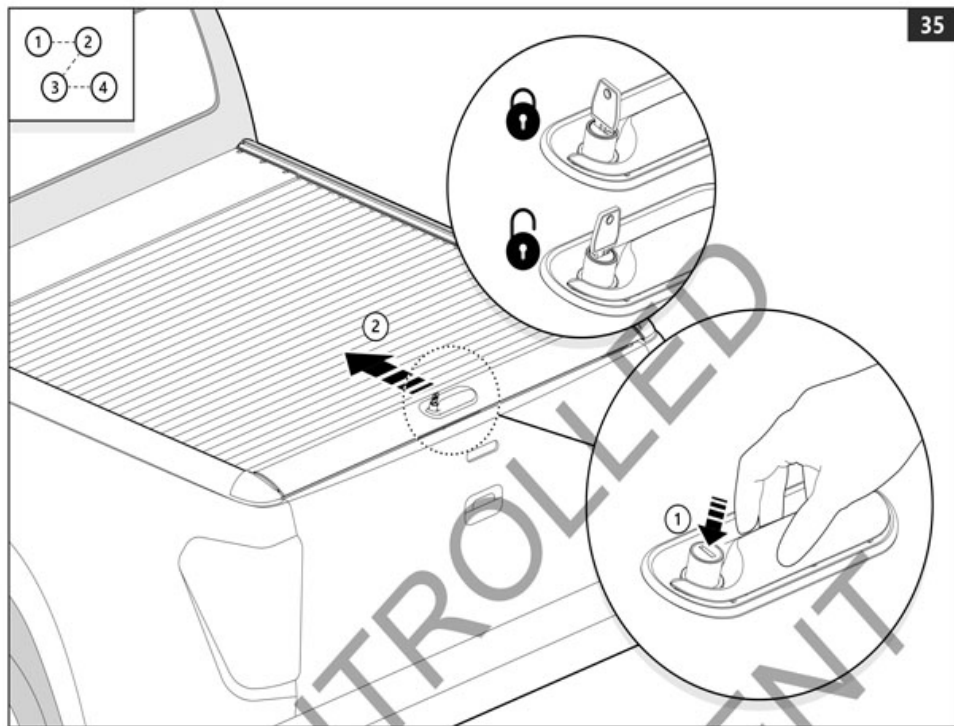


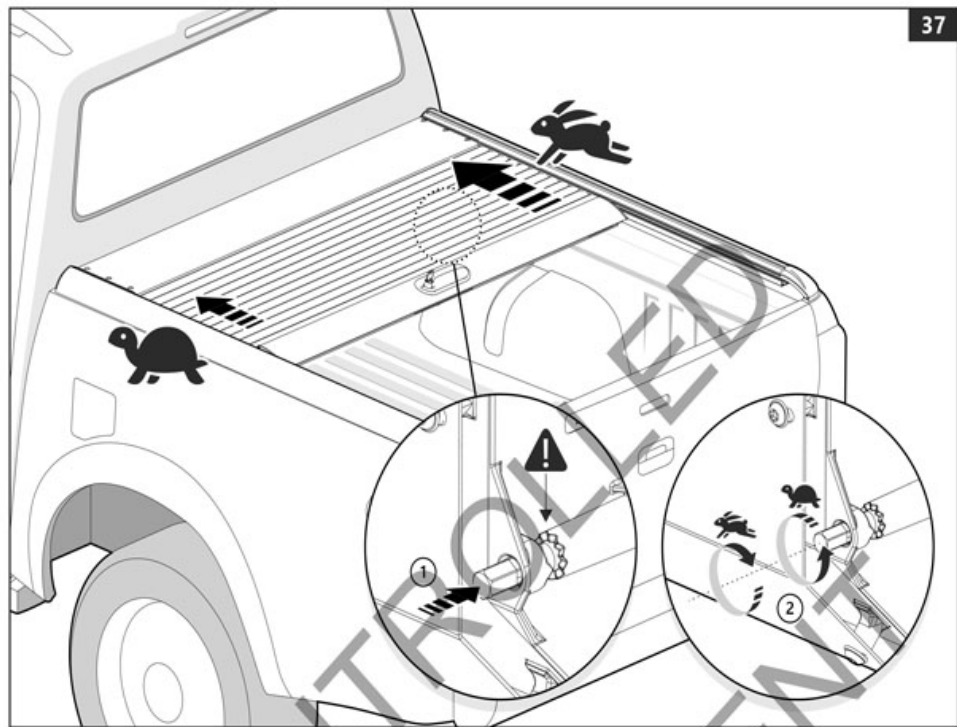










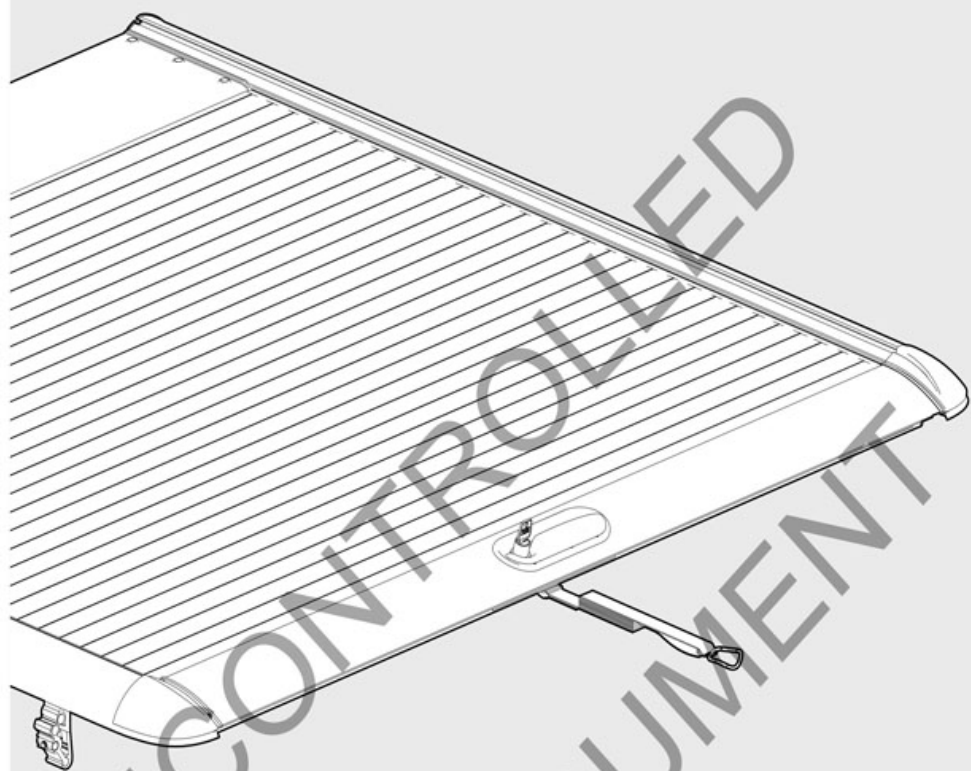




Customer Service	+45 4810 2950 (08:00 - 16:00 CET)
Fax	+45 4810 2960
Support	info@mountaintop.dk
Website	www.mountaintop.dk
Address	Pedersholmparken 10, 3600 Frederikssund, Denmark

PART NUMBER(S)	MODEL / YEAR	CAB TYPE(S)	INSTALLATION TIME	WEIGHT
MTR TO90/91	Toyota / 2015 →	Double / Extra	2 hour(s)	31 - 36 Kg
MTR NI90/91	Nissan / 2015 →	Double / King	2 hour(s)	31 - 36 Kg

GB Installation manual	S Monteringsanvisning	D Einbauanleitung
SF Asennusohje	E Instrucciones de montaje	CZ Návod k instalaci
F Notice de montage	H Szerelési utasítás	I Istruzioni de montaggio
PL Instrukcja montażu	P Instruções de instalação	GR Οδηγίες Εγκατάστασης
NL Installatie-instructies	RUS Инструкция по установке	DK Monteringsvejledning
TR Montaj Talimatı	N Monteringsveiledning	RO Instructiuni de instalare



Mountain Top® Roll

Installation manual



DOWNLOAD PDF