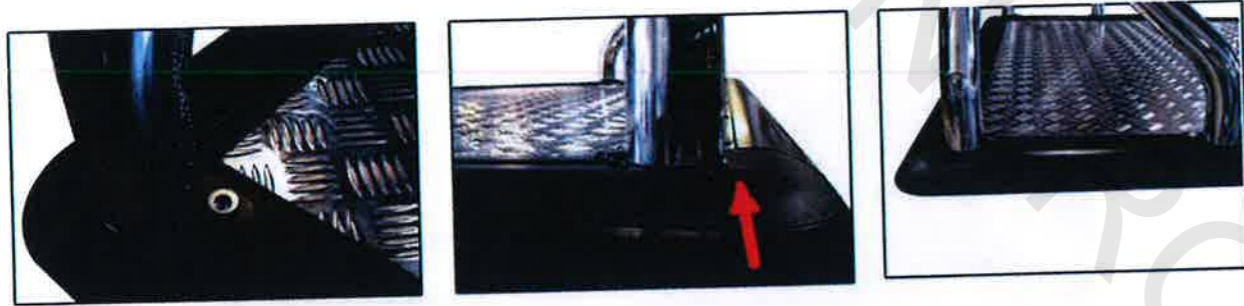


Step 3 : Position the sport bar on the cover, ligh up the sport bar with the front rail, as shown in the picture here under.



Step 4 : insert the bolts, adjust and tighten, the sport bar is mounted.


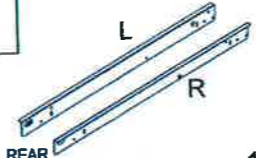
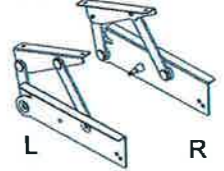










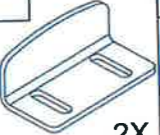
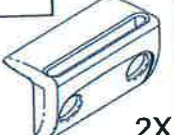




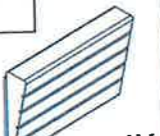


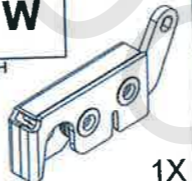
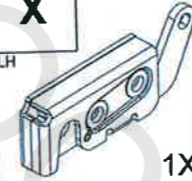

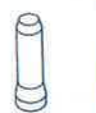
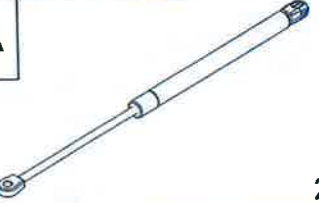

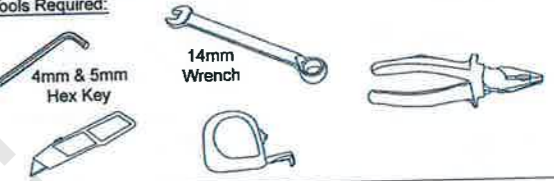



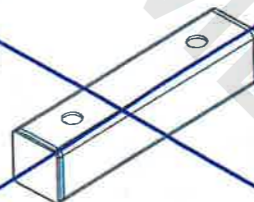
Step 5 : Put the corners back on the cover.



UpStoneEvolve
info@upstone.fr

UpStoneEvolve

INSTALLATION INSTRUCTIONS K408 NISSAN NAVARA NP300 2016+

A	B	C	D	
 1X	 REAR 1X	 L R 1X	 2X	
E	F	G	H	
 2X	 4X	 M8x25mm 4X	 M8 x16 Stainless Steel Washer 6X	
I	J	K	L	
 2X	 M8 Nylock 4X	 M8 Stainless Steel Spring Washer 2X	 2X	
M	N	O	P	
 2X	 2X	 2X	 M6x18 16X	
Q	R	S	T	
 M6x13mm Zinc 16X	 M6x10mm 12X	 4X	 4X	
U	V	W	X	
 M10x24mm 4X	 M8 x16 Zinc Washer 8X	 RH 1X	 LH 1X	
Y	Z	AA	AB	
 M5 Cable Bolt, Washer & Dome Nut 2X	 2X	 2X	 1X	
AC	<p>Note 1: If at any stage of installation you find your sportlid to be an unacceptable fit please contact the manufacturer before continuing.</p> <p>Note 2: If required, use Under Rail Bed Liner only. NOT FOR USE WITH OVER RAIL BED LINER!</p> <p>Tools Required:</p>  <p>OPTIONAL</p> 			
 2X				
AD	AE			
 M8x40mm 4X	 2X			
Fitting Kit Number K408	Product Upstone Lid	Revision 1	Date 15.09.2016	Page 1 of 7

1 Remove ladder rack

Note 2: If required, use Proform Under Rail Bed Liner only. Not for use with Over Rail Bed Liner.

Follow guide lines to trim liner in front corners.

2

3

4

5 Place front of side mounting brackets back from inside corners of the cargo box - See table for measurement

MAX TORQUE SETTING = 8.5Nm OR 6.3 Ft/Pounds

Vehicle Model		α
Nissan Navara NP300 2016+ Double & King cab		2

Vehicle Model			
β	δ	φ	
Nissan Navara NP300 2016+ Double & King cab	80mm	1	7

$\delta 2 \circ$ $\delta 3 \circ$ $\delta 4 \circ$ $\varphi 1 \circ$ $\varphi 2 \circ$ $\varphi 3 \circ$ $\varphi 4 \circ$ $\varphi 5 \circ$ $\varphi 6 \circ$ $\varphi 7 \circ$

FINGER TIGHTEN ONLY

Fitting Kit Number: K408
 Product: Upstone Lid
 Revision: 1
 Date: 15.09.2016
 Page: 2 of 7

UpStoneEvolve

Sport bar installation

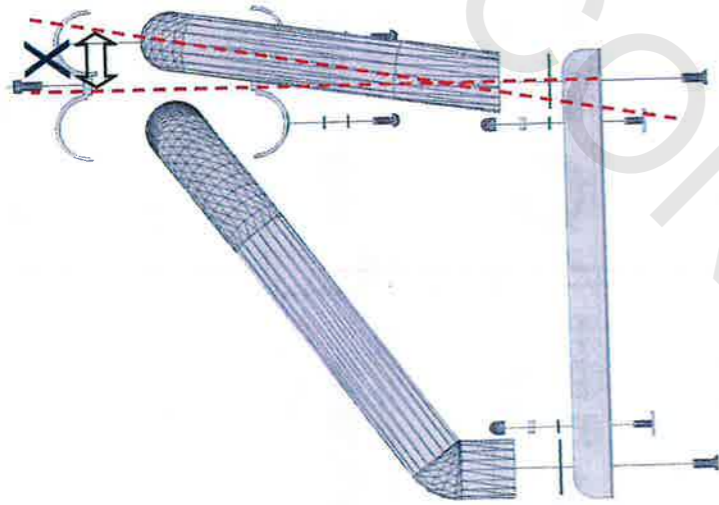


Step 1 : dismantle the corners by unscrewing the screws underneath the rear right and left corners.



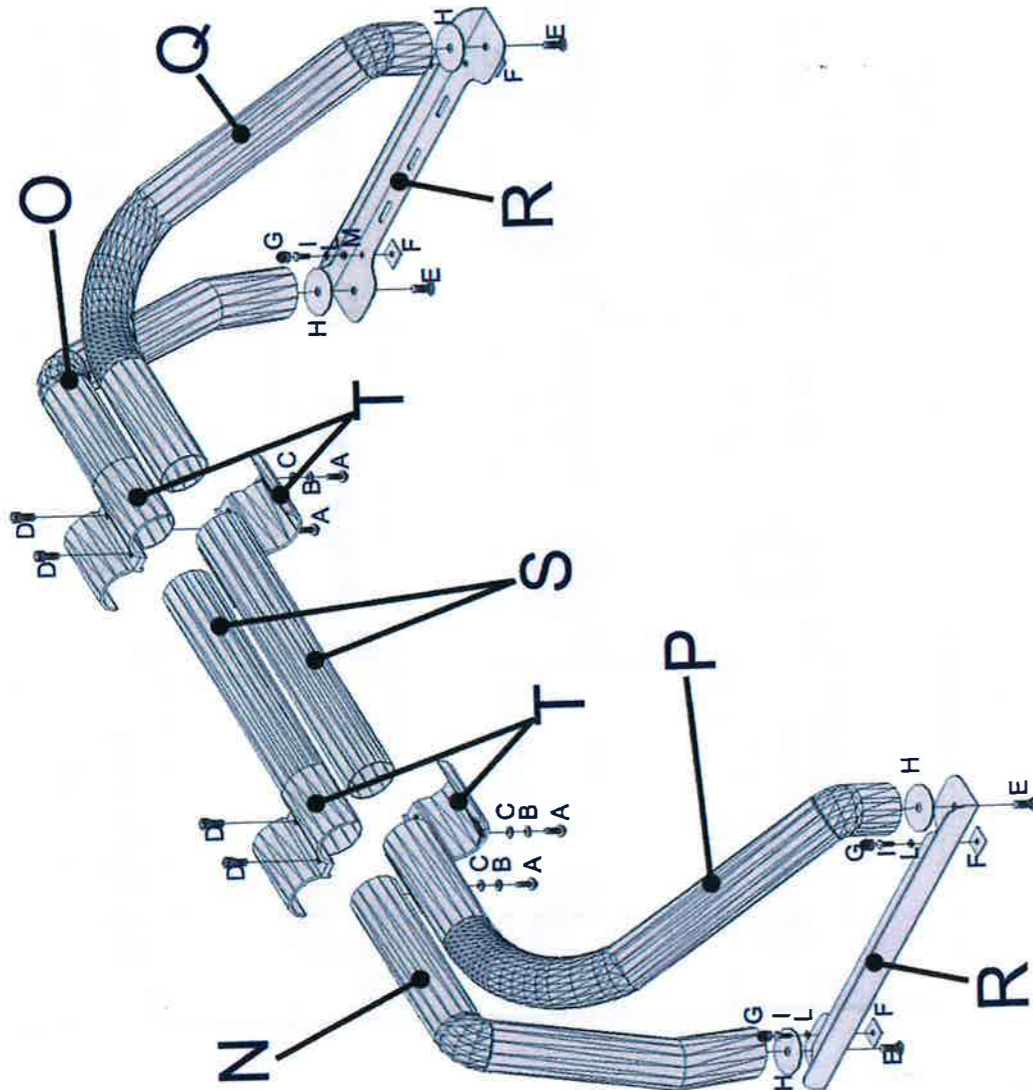
Step 2 : Insert the squares in the rails.





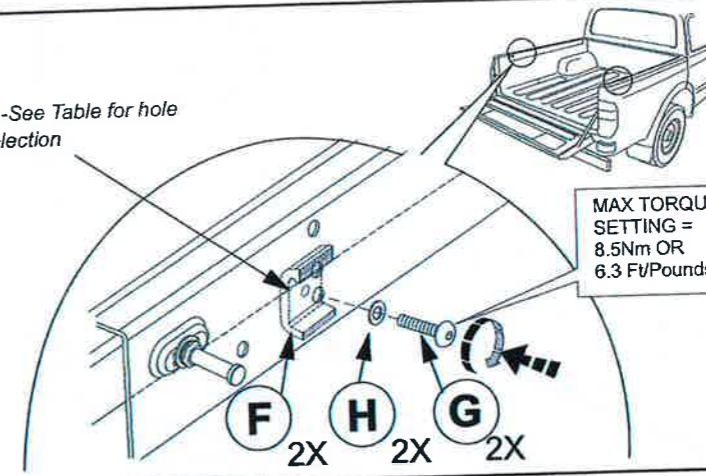
WARNING: fit the N and O front bends as shown in the drawing

ATTENTION: monter les curves anterieures N et O comme indique dans le dessin.



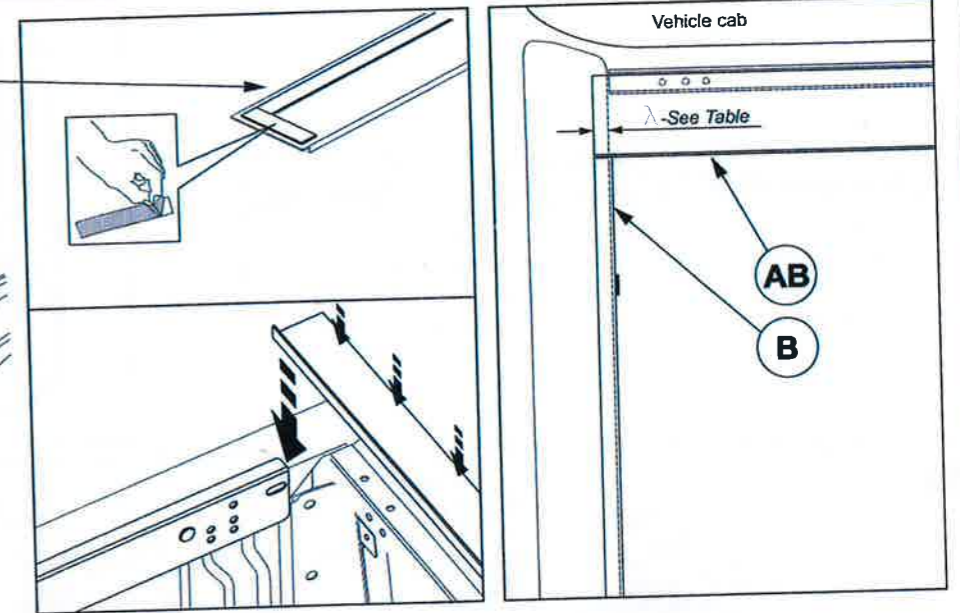
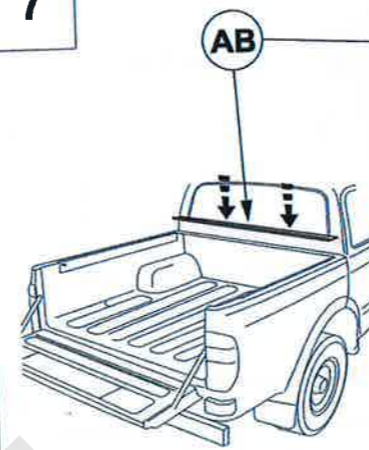
6

⌀ -See Table for hole selection



MAX TORQUE SETTING = 8.5Nm OR 6.3 Ft/Pounds

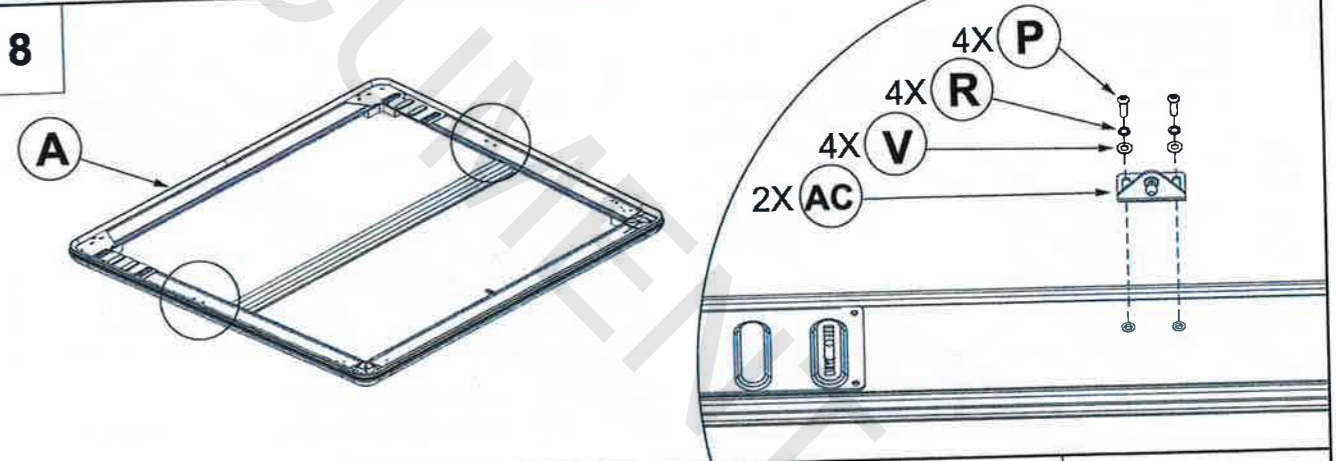
7



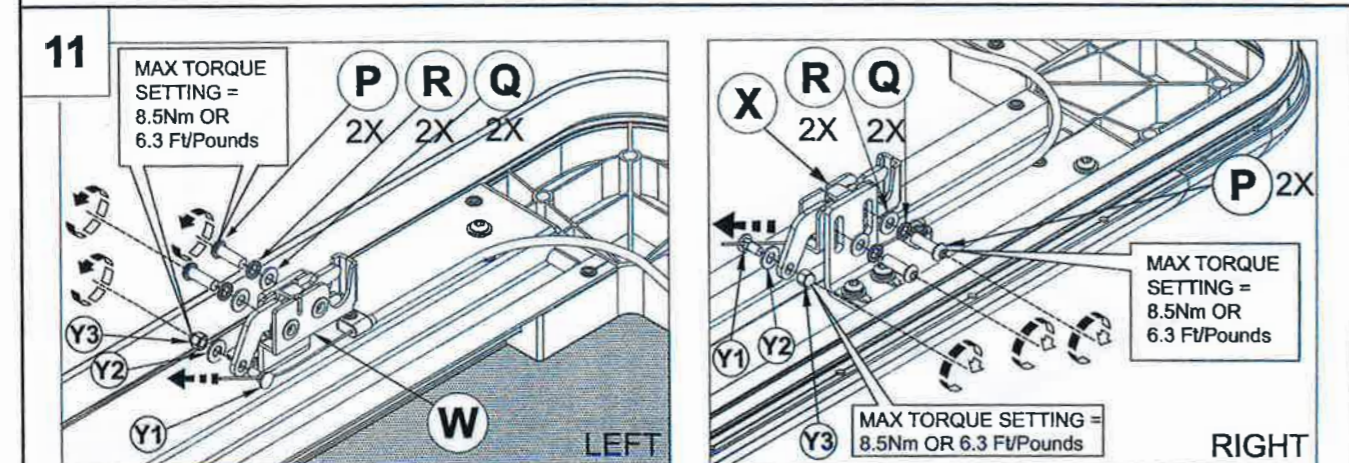
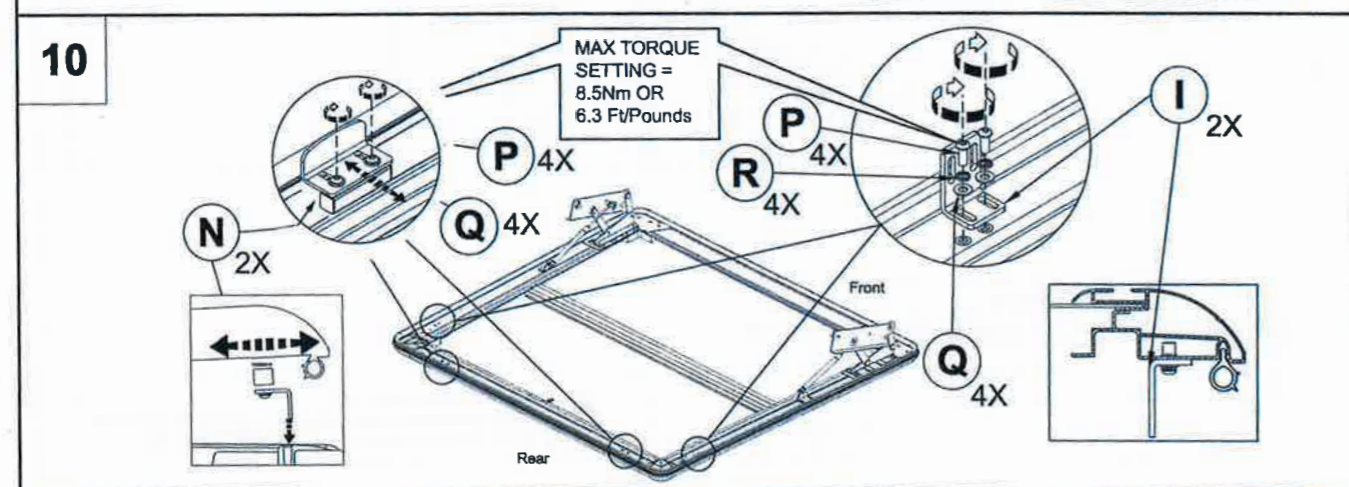
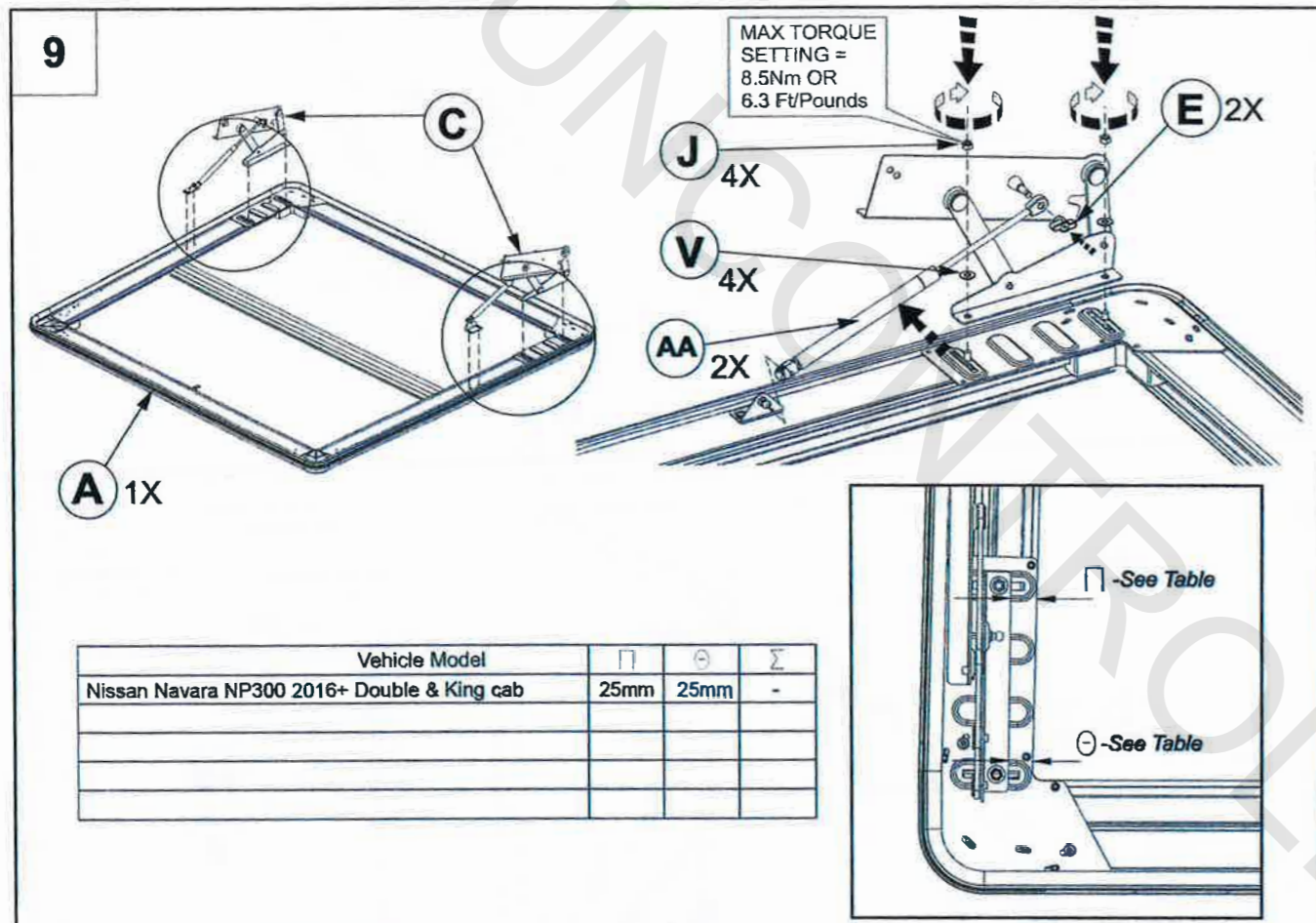
Vehicle Model	λ
Nissan Navara NP300 2016+ Double & King cab	25mm

! DO NOT apply below 15°C. Apply pressure to part. Adhesive is pressure activated. Allow 3hrs minimum to cure before installing lid

8



Fitting Kit Number	Product	Revision	Date	Page
K408	Upstone Lid	1	15.09.2016	3 of 7



Fitting Kit Number	Product	Revision	Date	Page
K408	Upstone Lid	1	15.09.2016	4 of 7

2/3

Part List
Liste des pièces

A	TBCEI 8X25 x 4	B	Ø 8 x 4	C	Ø 8 x 4	D	TCEI 10X25 x 4	E	TSPEI M10X25 x 4
F	M6 x 4	G	Cappelletti M 6 x 4	H	VIPLA Ø 80 x 4	I	TE 6X15 x 4	L	BIG Ø 6 GRAND x 4
M	Ø 6 x 4	N	AS7/SX x1	O	AS7/DX x1	P	PS7/SX x1	Q	PS7/DX x1
R	RLS/7TR x2	S	RLB/06 x2	T	RLB Ø76 x2				



Item Code

RLB76A
: RLB76AB

Codice Articolo

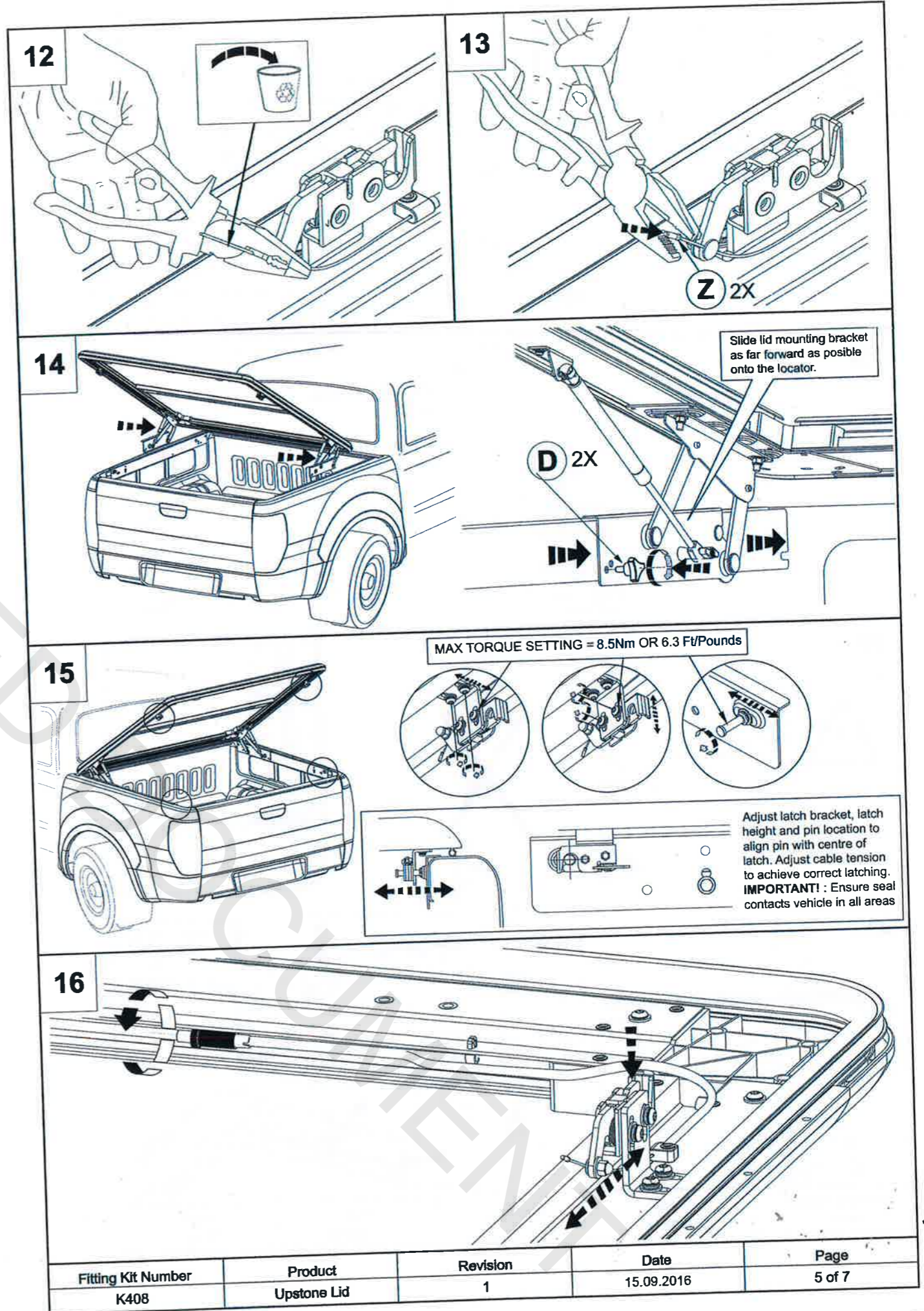
Référence Article

GB

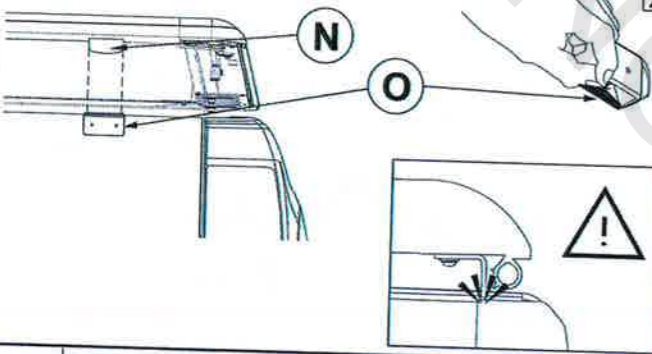
STAINLESS STEEL
MEDIUM BAR

FR

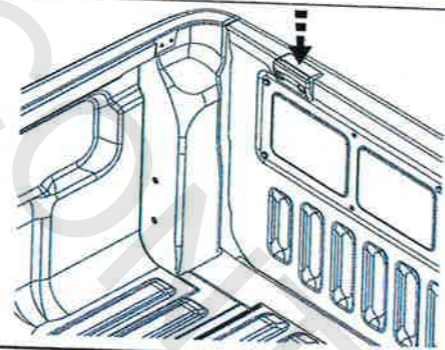
MEDIUM BAR
EN ACCIER INOX



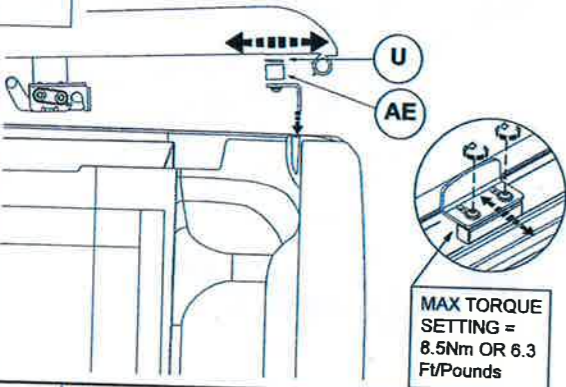
17



DO NOT apply below 15°C.
Apply pressure to part. Adhesive is pressure activated.
Allow 3hrs minimum to cure.



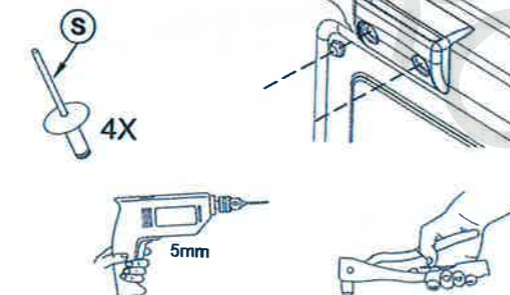
18



MAX TORQUE
SETTING =
8.5Nm OR 6.3
Ft/Pounds

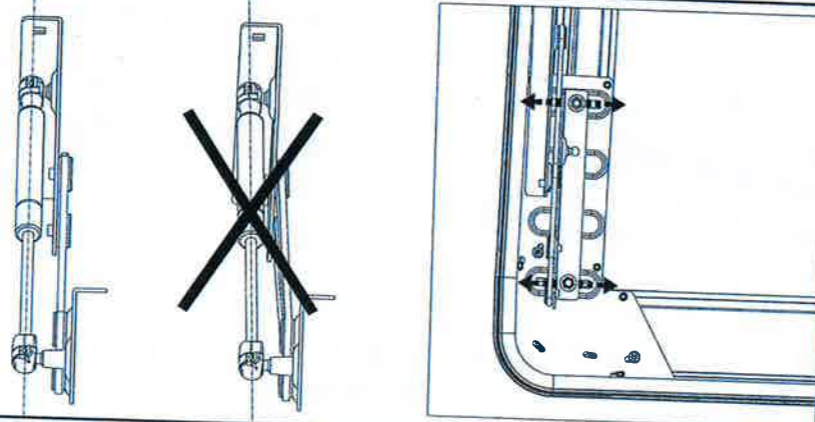
19

OPTIONAL

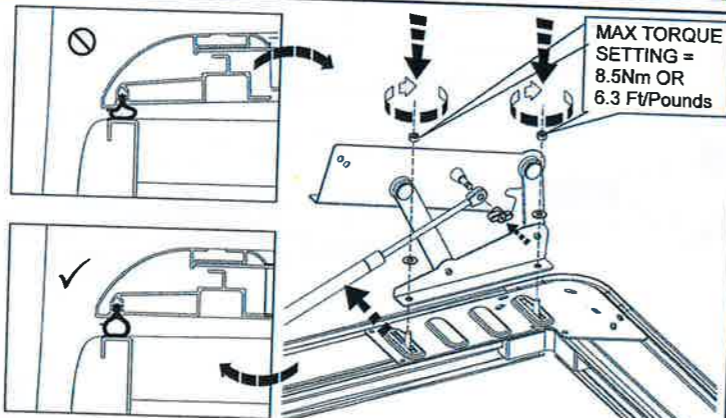
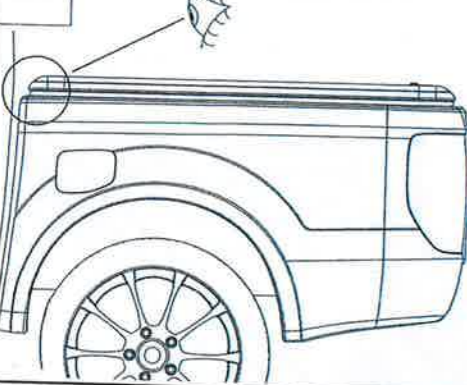


20

! Insure hinge is not twisted.
Adjust connection to lid if necessary.



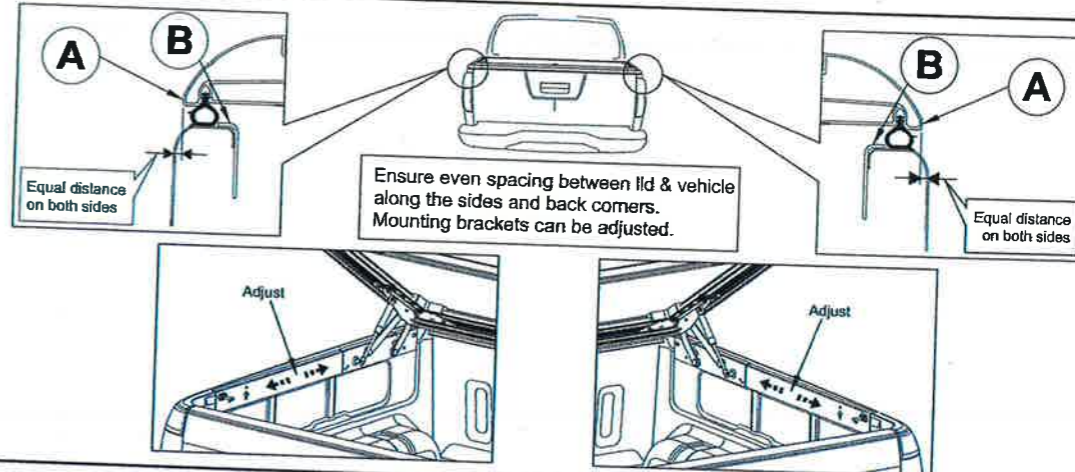
21



MAX TORQUE
SETTING =
8.5Nm OR
6.3 Ft/Pounds

Fitting Kit Number	Product	Revision	Date	Page
K408	Upstone Lid	1	15.09.2016	6 of 7

22



After installation carefully and thoroughly clean all debris from the inside of the cargo box.
Retain these instructions for future reference

CAUTION!

- NEVER allow people or animals under the closed cover
- Do not place unsealed solvents or chemicals under the cover
- Do not stand or place heavy objects on the cover
- Do not open lid when under load.
- Close the cover before operating the vehicle
- Do not allow oil, solvents or chemicals to contact the cover
- Clean only with a mild detergent and water solution

Fitting Kit Number	Product	Revision	Date	Page
K408	Upstone Lid	1	15.09.2016	7 of 7