
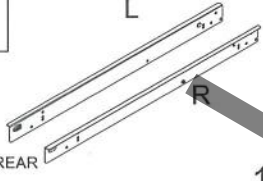
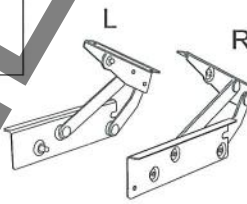

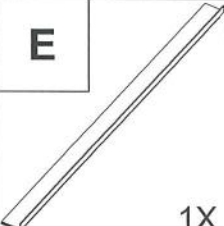






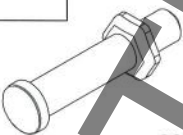
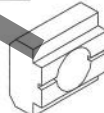
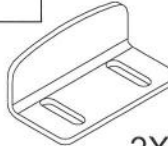
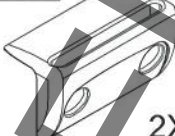




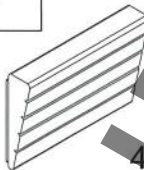


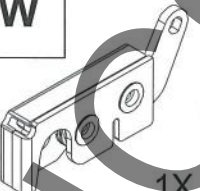
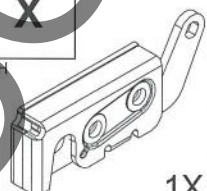


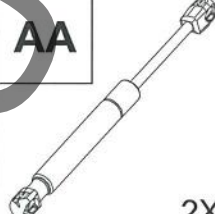


# UpStoneEvolve

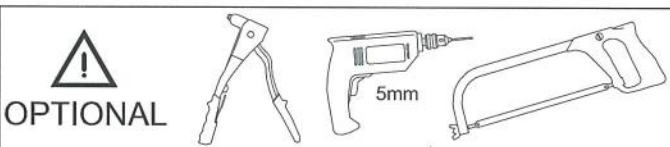
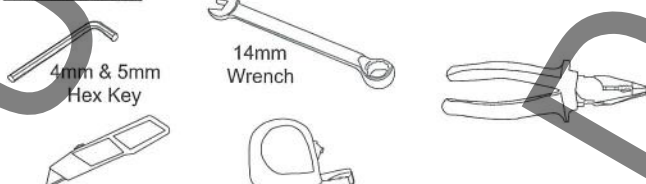
## INSTALLATION INSTRUCTIONS K403

<b>A</b>  1X	<b>B</b>  REAR 1X	<b>C</b>  L R 1X	<b>D</b>  2X
<b>E</b>  1X	<b>F</b>  4X	<b>G</b>  M8x25mm 4X	<b>H</b>  M8 x16 Stainless Steel Washer 6X
<b>I</b>  2X	<b>J</b>  M8 Nylock 4X	<b>K</b>  M8 Stainless Steel Spring Washer 2X	<b>L</b>  2X
<b>M</b>  2X	<b>N</b>  2X	<b>O</b>  2X	<b>P</b>  M6x18 12X
<b>Q</b>  M6x13mm Zinc 12X	<b>R</b>  M6x10mm 8X	<b>S</b>  4X	<b>T</b>  4X
<b>U</b>  M10x24mm 4X	<b>V</b>  M8 x16 Zinc Washer 4X	<b>W</b>  RH 1X	<b>X</b>  LN 1X
<b>Y</b>  M5 Cable Bolt, Washer & Dome Nut 2X	<b>Z</b>  2X	<b>AA</b>  2X	

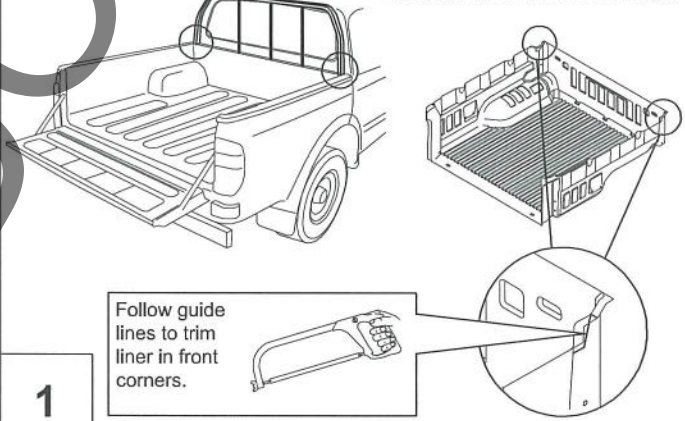
**Note 1:** If at any stage of installation you find your sportlid to be an unacceptable fit please contact the manufacturer before continuing.

**Note 2:** If required, use Under Rail Bed Liner only. **NOT FOR USE WITH OVER RAIL BED LINER!**

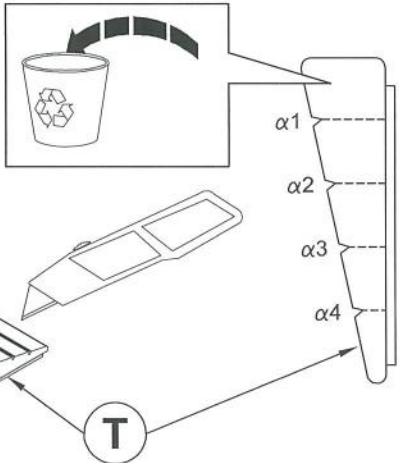
Tools Required:



**Note 2:** If required, use Proform Under Rail Bed Liner only. Not for use with Over Rail Bed Liner.



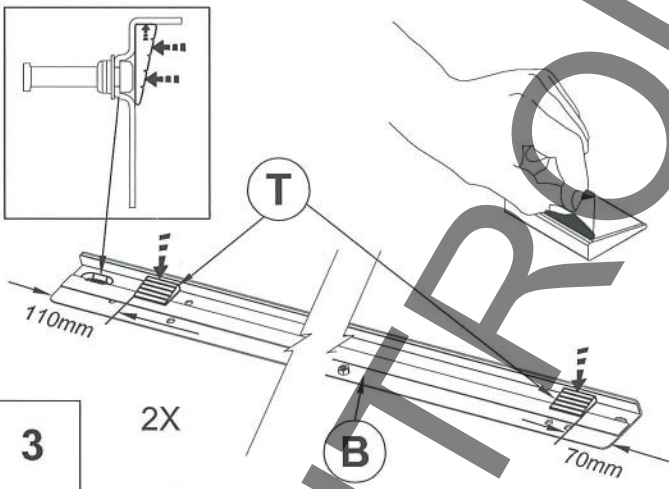
1



Vehicle Model	$\alpha$
Toyota Hilux Double Cab 2005 N25S, N25T	1
Isuzu D-Max Double & Extra Cab 2012 ATFS, ATFR	N/A - Do Not Fit
Volkswagen Amarok Double Cab 2010 2H, 2HS2	1
Ford Ranger T6 Double Cab 2011 2AB	2

2

T

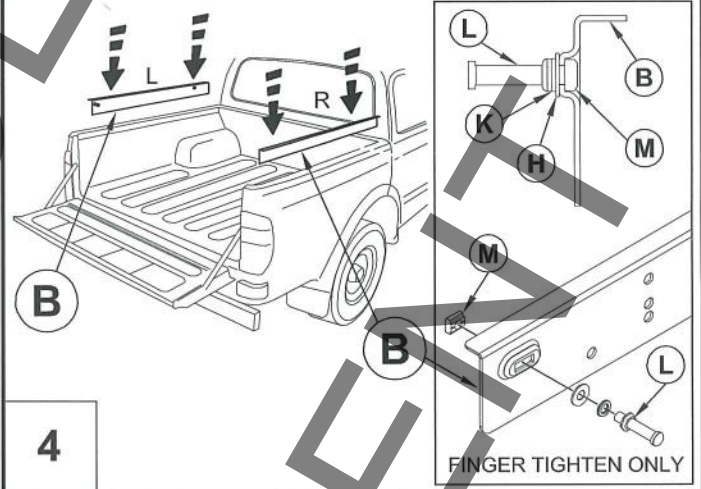


3

2X

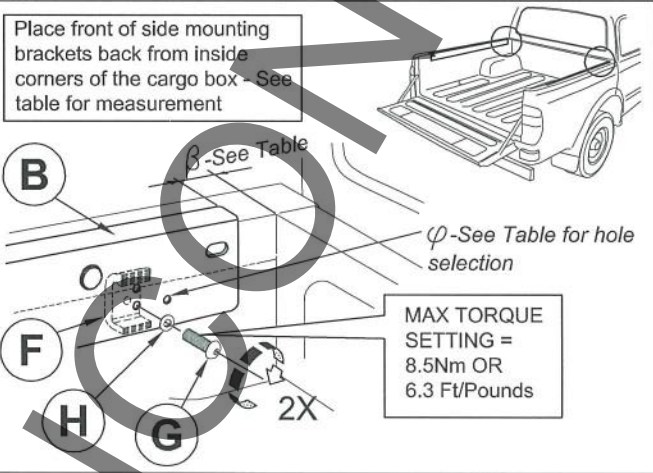
B

70mm



4

FINGER TIGHTEN ONLY



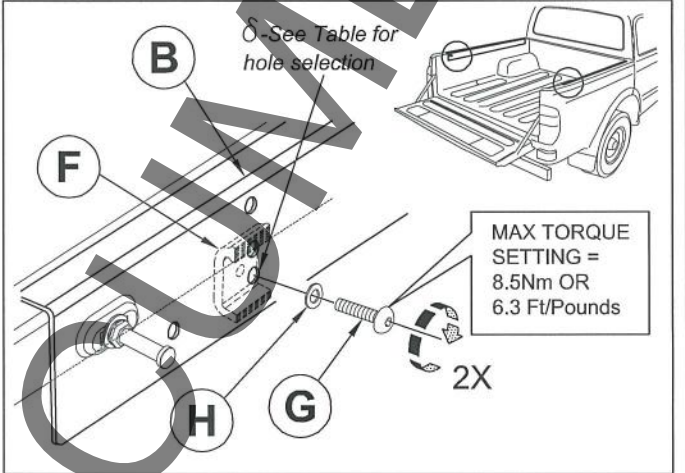
F

H

G

2X

MAX TORQUE SETTING = 8.5Nm OR 6.3 Ft/Pounds



F

B

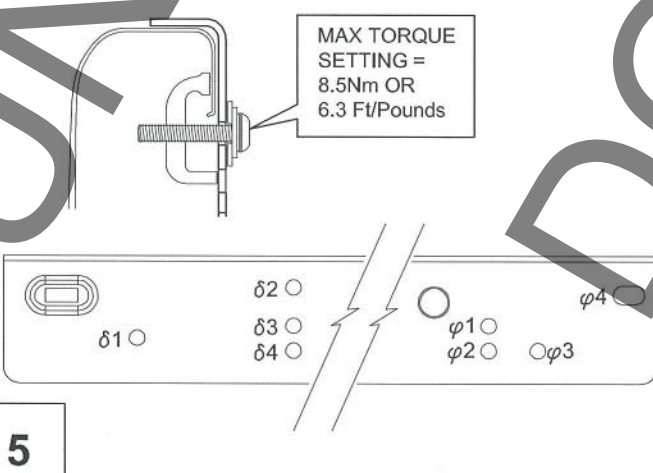
See Table for hole selection

H

G

2X

MAX TORQUE SETTING = 8.5Nm OR 6.3 Ft/Pounds



5

MAX TORQUE SETTING = 8.5Nm OR 6.3 Ft/Pounds

$\delta 1$

$\delta 2$

$\delta 3$

$\delta 4$

$\phi 1$

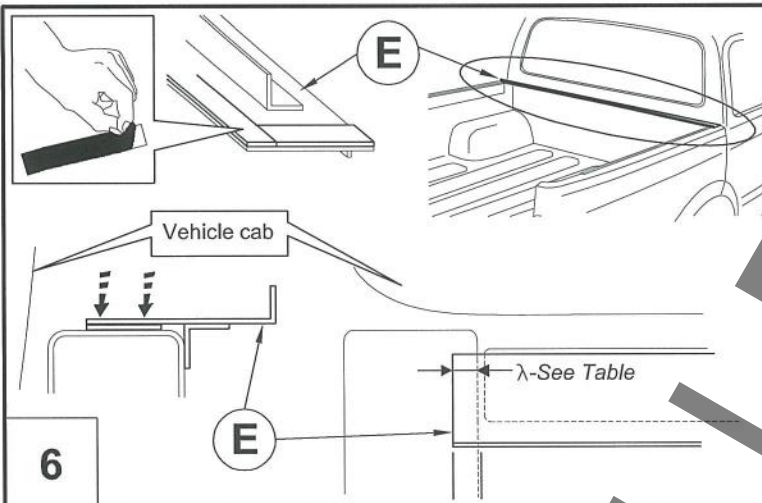
$\phi 2$

$\phi 4$

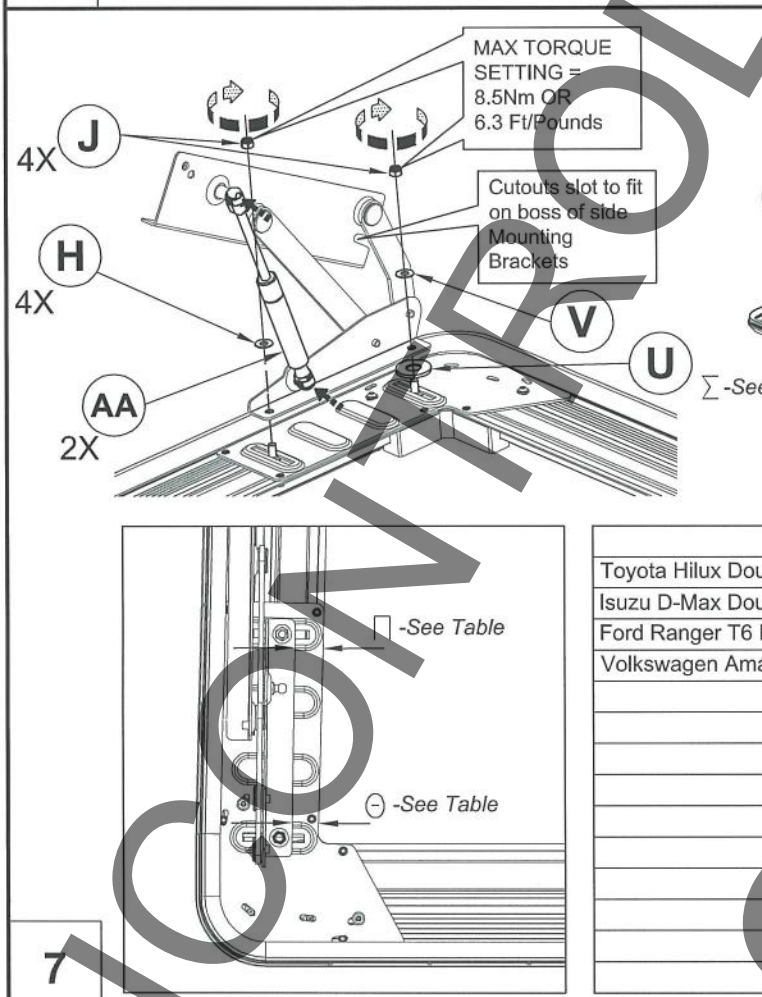
$\phi 3$

Vehicle Model	$\beta$	$\delta$	$\phi$
Toyota Hilux Double Cab 2005 N25S, N25T	70.4mm	4	2
Isuzu D-Max Double & Extra Cab 2012 ATFS, ATFR	69mm	1	2
Ford Ranger T6 Double Cab 2011 2AB	72.4mm	4	3
Volkswagen Amarok Double Cab 2010 2H, 2HS2	70.4mm	3	1

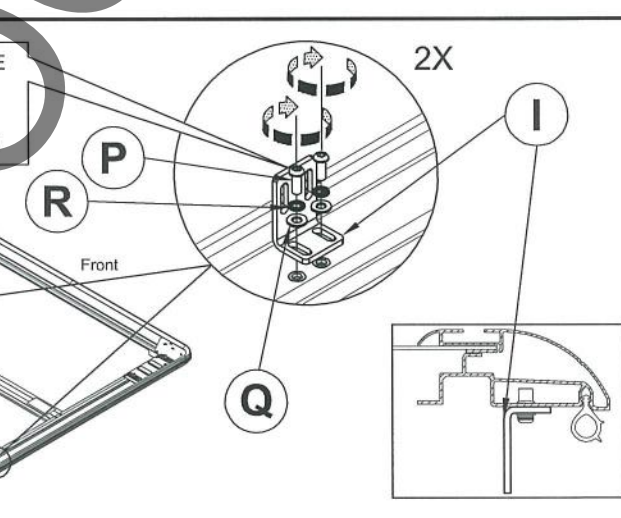
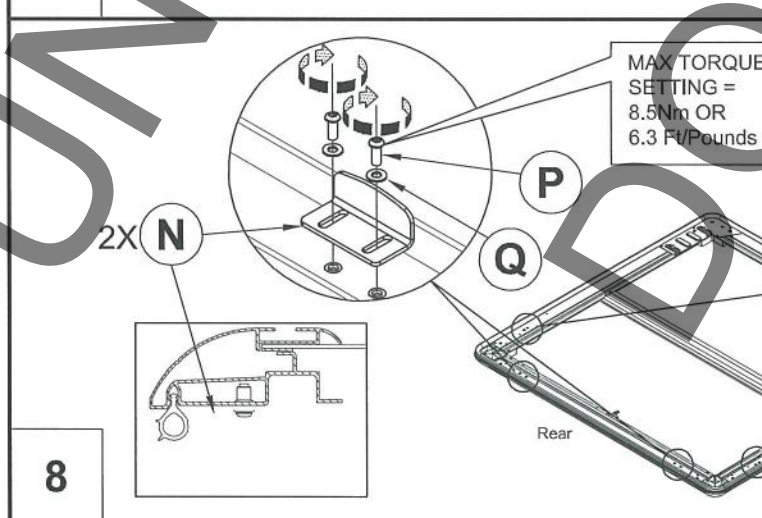


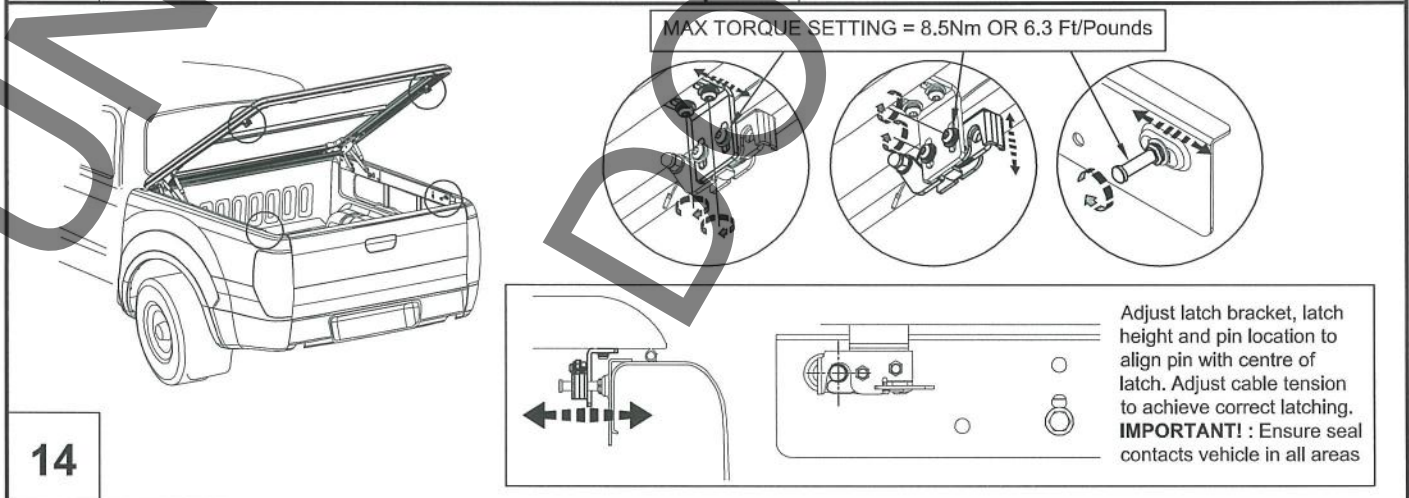
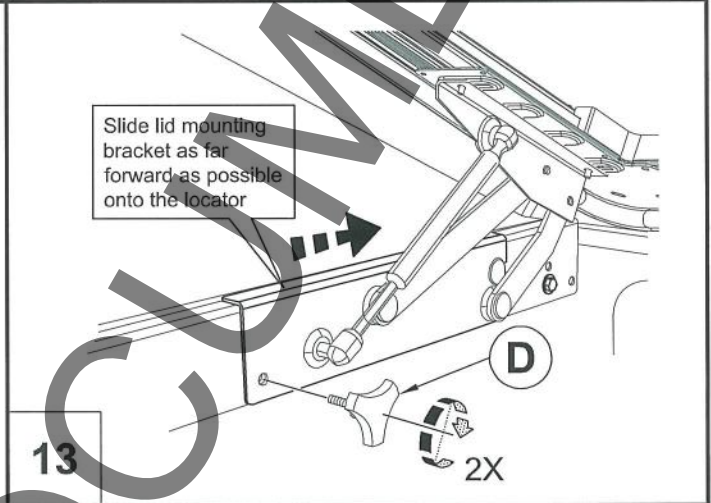
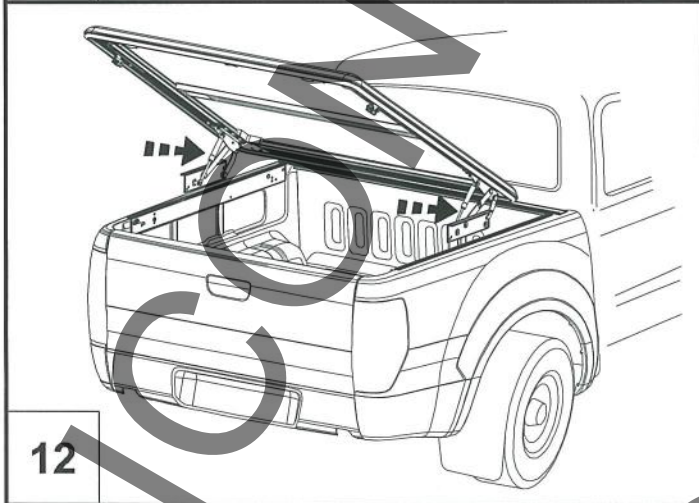
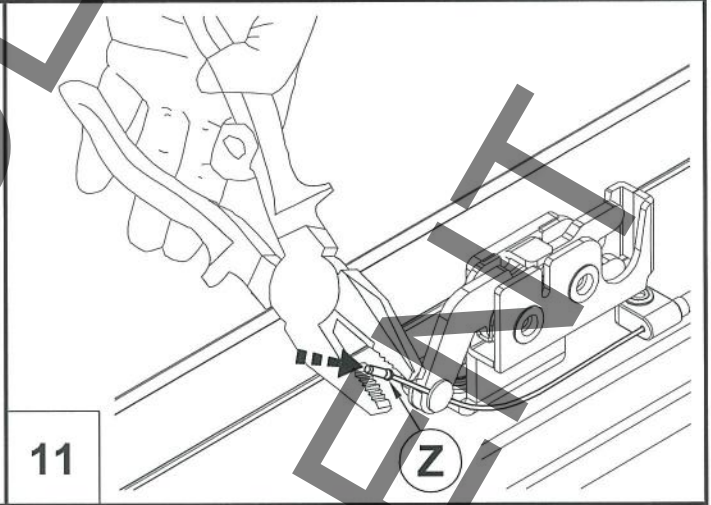
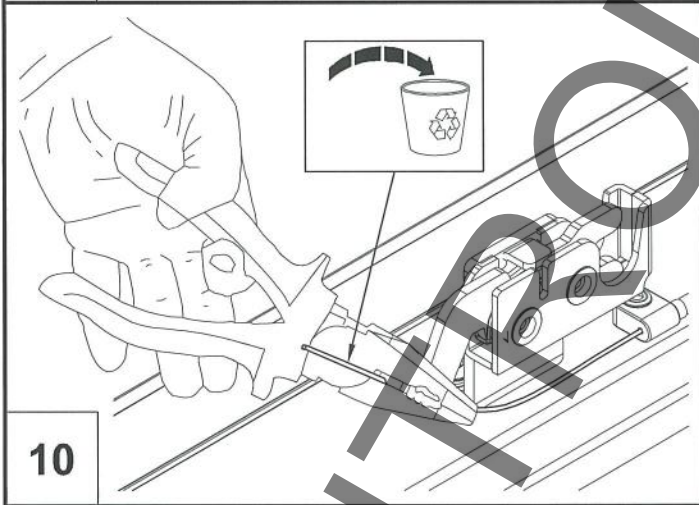
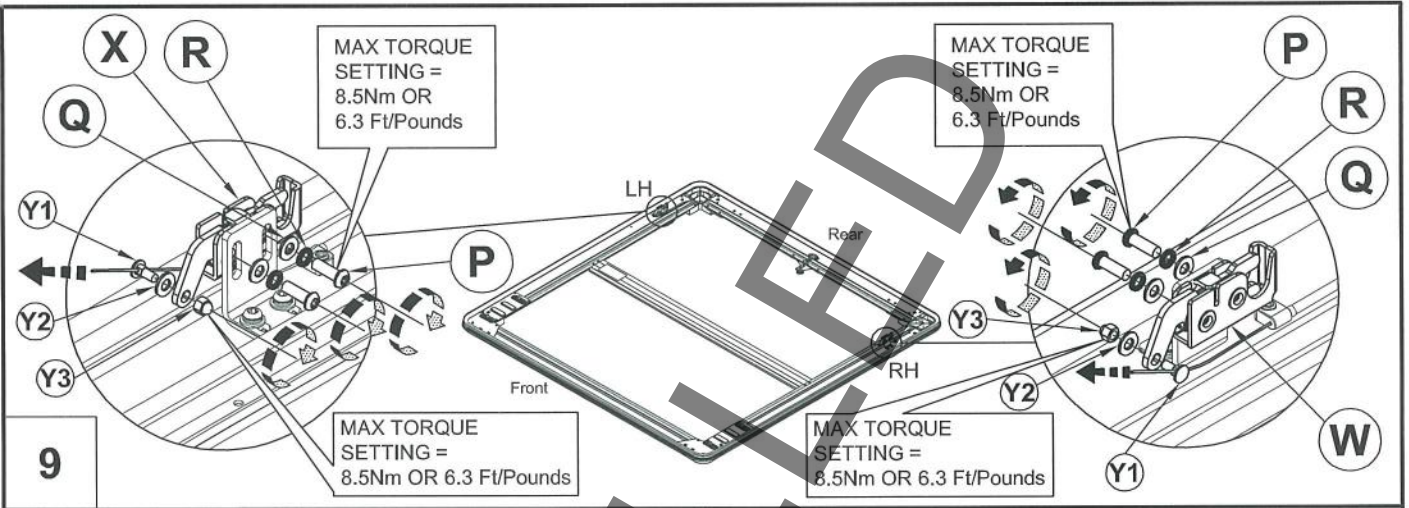


Vehicle Model	$\lambda$
Toyota Hilux Double Cab 2005 N25S, N25T	23mm
Isuzu D-Max Double & Extra Cab 2012 ATFS, ATFR	28mm
Ford Ranger T6 Double Cab 2011 2AB	37.5mm
Volkswagen Amarok Double Cab 2010 2H, 2HS2	27mm



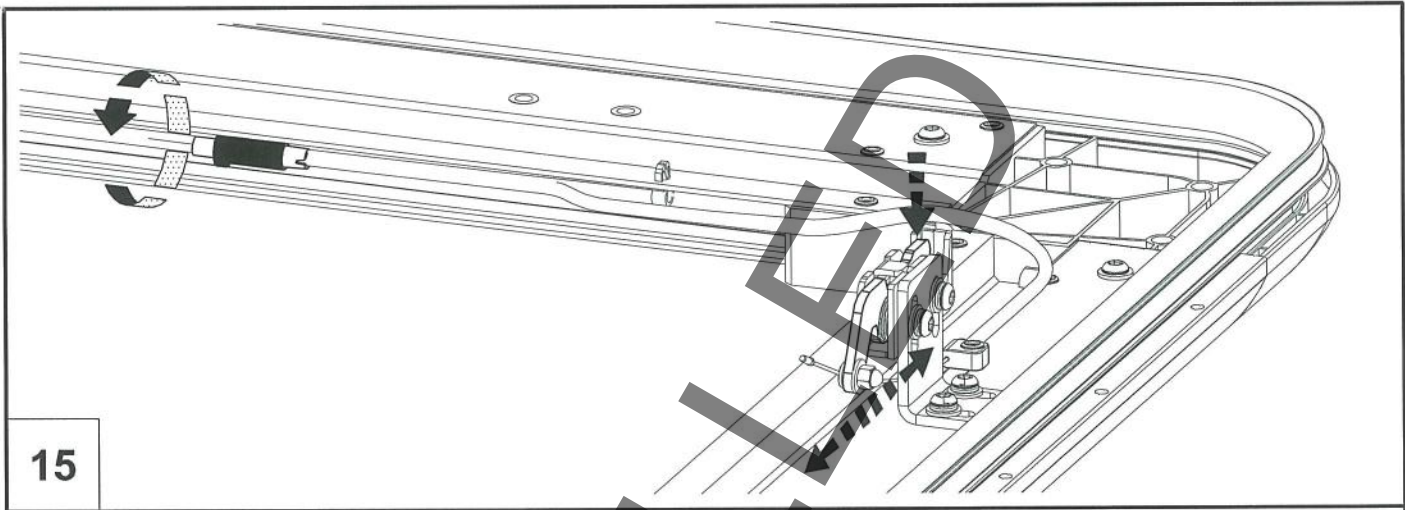
Vehicle Model	$\Pi$	$\Theta$	$\Sigma$
Toyota Hilux Double Cab 2005 N25S, N25T	31mm	31mm	-
Isuzu D-Max Double & Extra Cab 2012 ATFS, ATFR	26mm	29mm	-
Ford Ranger T6 Double Cab 2011 2AB	16mm	16mm	2 Qty
Volkswagen Amarok Double Cab 2010 2H, 2HS2	22mm	22mm	1Qty



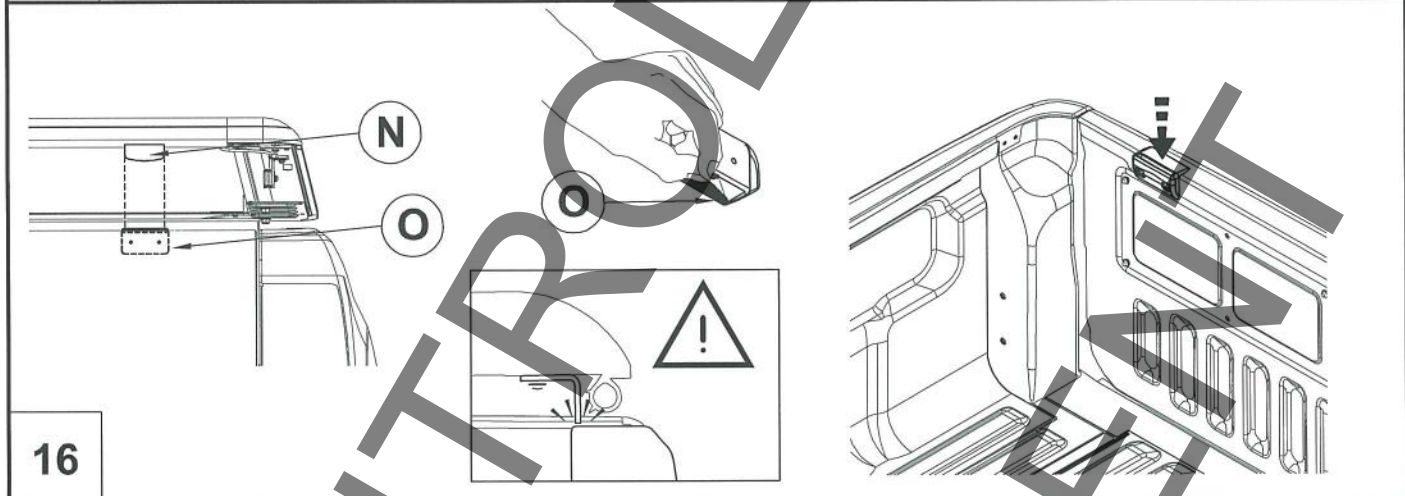


Fitting Kit Number	Product	Revision	Date	Page
K403	Upstone Lid	2	11-04-2013	4 of 6

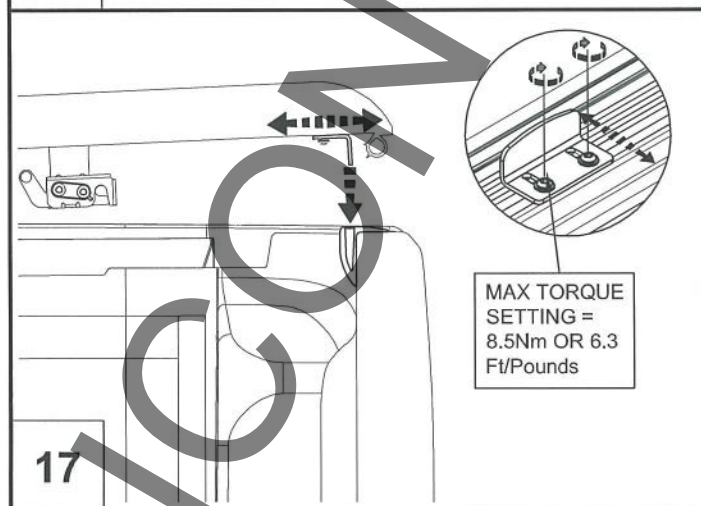




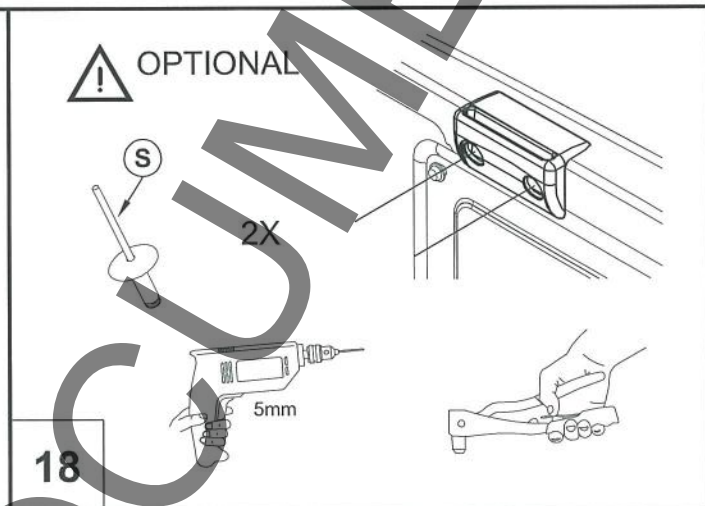
15



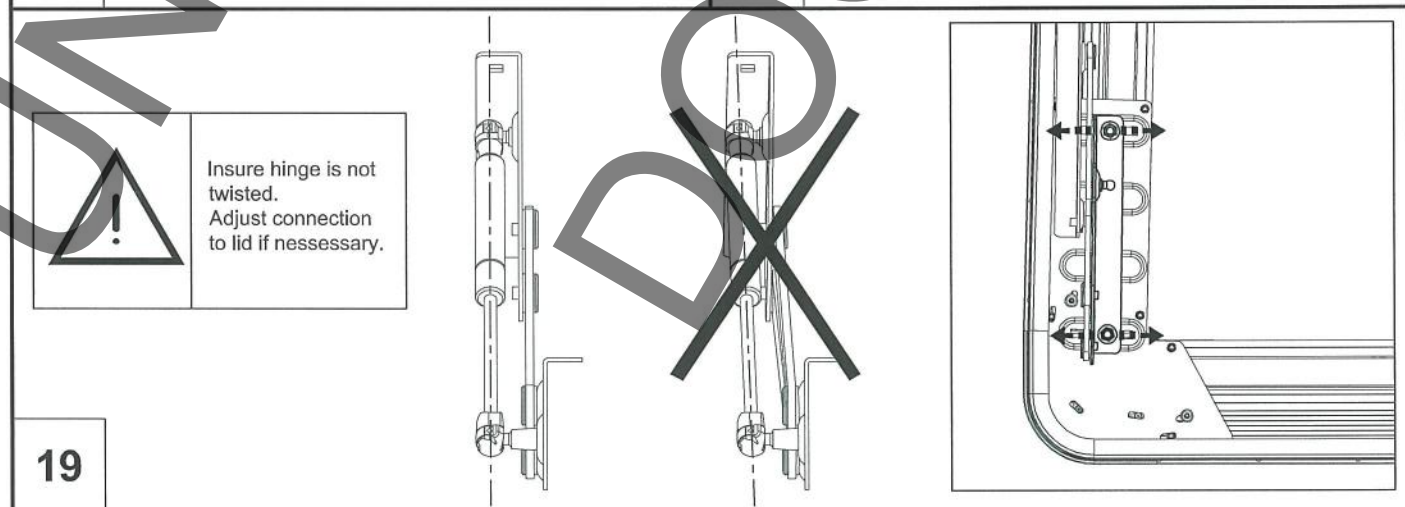
16



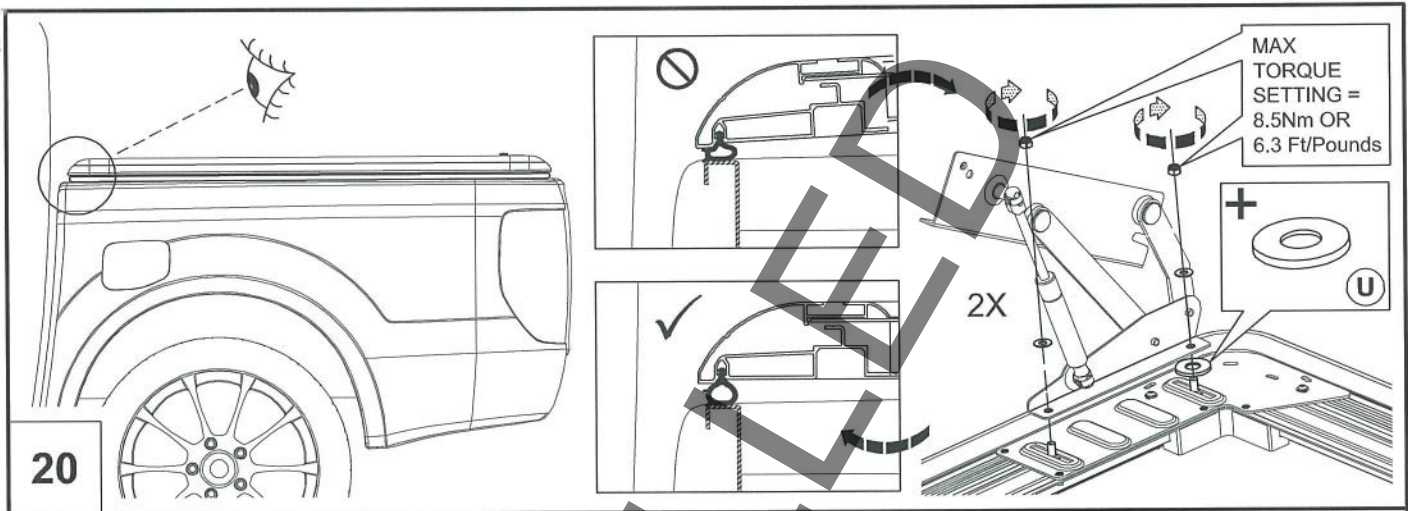
17



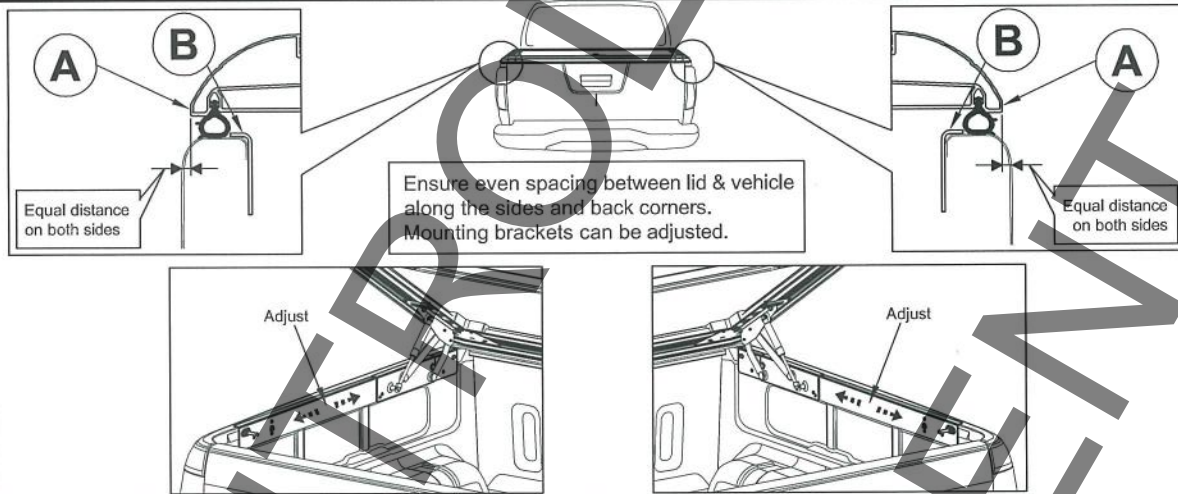
18



19



20



21

After installation carefully and thoroughly clean all debris from the inside of the cargo box.  
**Retain these instructions for future reference**



## CAUTION!

- NEVER allow people or animals under the closed cover
- Do not place unsealed solvents or chemicals under the cover
- Do not stand or place heavy objects on the cover
- Do not open lid when under load.
- Close the cover before operating the vehicle
- Do not allow oil, solvents or chemicals to contact the cover
- Clean only with a mild detergent and water solution

Fitting Kit Number	Product	Revision	Date	Page
K403	Upstone Lid	2	11-04-2013	6 of 6