
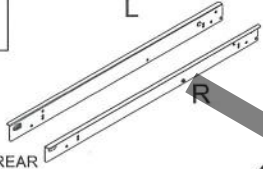
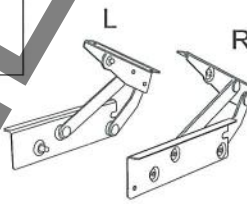

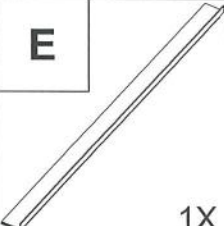






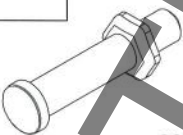
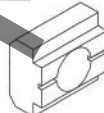
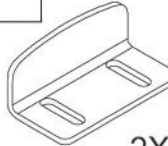
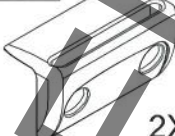




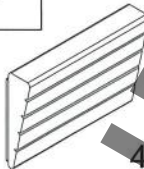


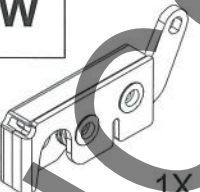
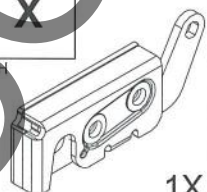


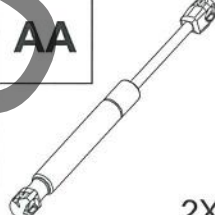


# UpStoneEvolve

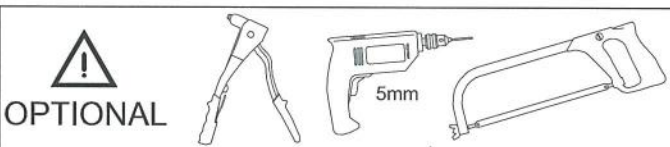
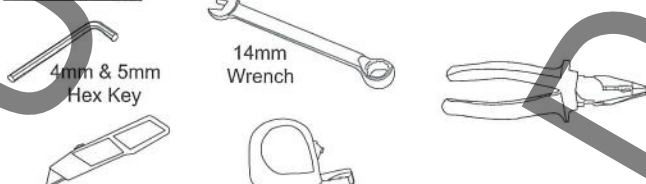
## INSTALLATION INSTRUCTIONS K403

<b>A</b>  1X	<b>B</b>  REAR 1X	<b>C</b>  L R 1X	<b>D</b>  2X
<b>E</b>  1X	<b>F</b>  4X	<b>G</b>  M8x25mm 4X	<b>H</b>  M8 x16 Stainless Steel Washer 6X
<b>I</b>  2X	<b>J</b>  M8 Nylock 4X	<b>K</b>  M8 Stainless Steel Spring Washer 2X	<b>L</b>  2X
<b>M</b>  2X	<b>N</b>  2X	<b>O</b>  2X	<b>P</b>  M6x18 12X
<b>Q</b>  M6x13mm Zinc 12X	<b>R</b>  M6x10mm 8X	<b>S</b>  4X	<b>T</b>  4X
<b>U</b>  M10x24mm 4X	<b>V</b>  M8 x16 Zinc Washer 4X	<b>W</b>  RH 1X	<b>X</b>  LN 1X
<b>Y</b>  M5 Cable Bolt, Washer & Dome Nut 2X	<b>Z</b>  2X	<b>AA</b>  2X	

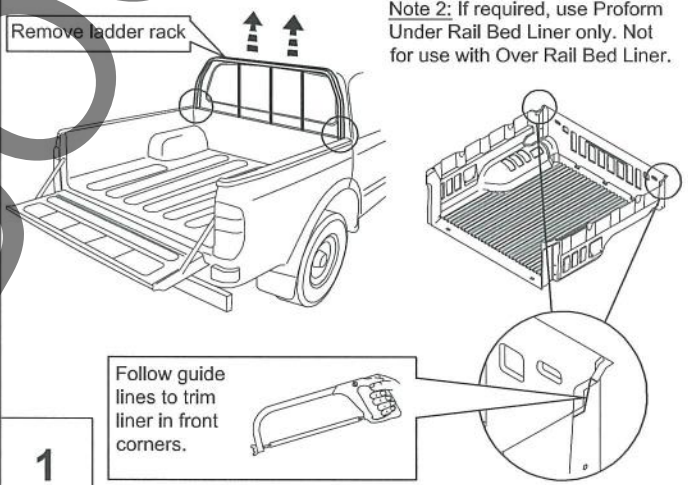
**Note 1:** If at any stage of installation you find your sportlid to be an unacceptable fit please contact the manufacturer before continuing.

**Note 2:** If required, use Under Rail Bed Liner only. **NOT FOR USE WITH OVER RAIL BED LINER!**

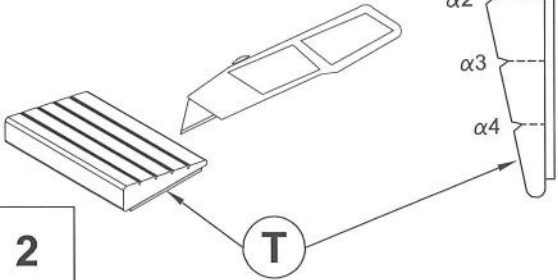
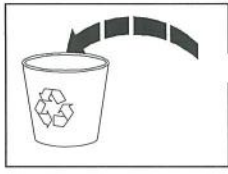
Tools Required:



**Note 2:** If required, use Proform Under Rail Bed Liner only. Not for use with Over Rail Bed Liner.



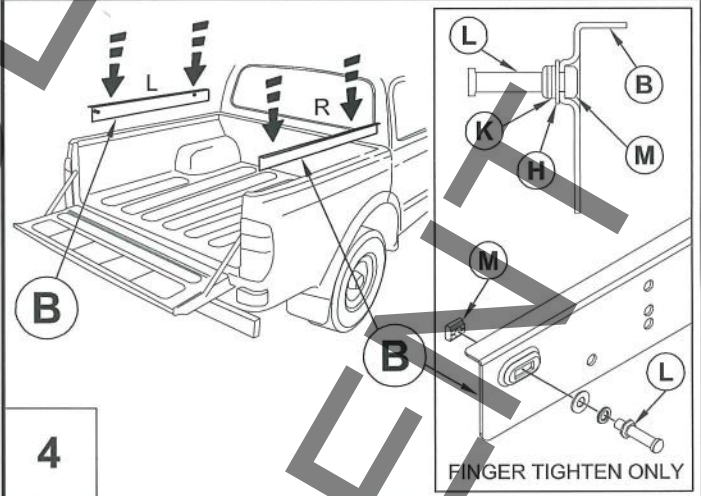
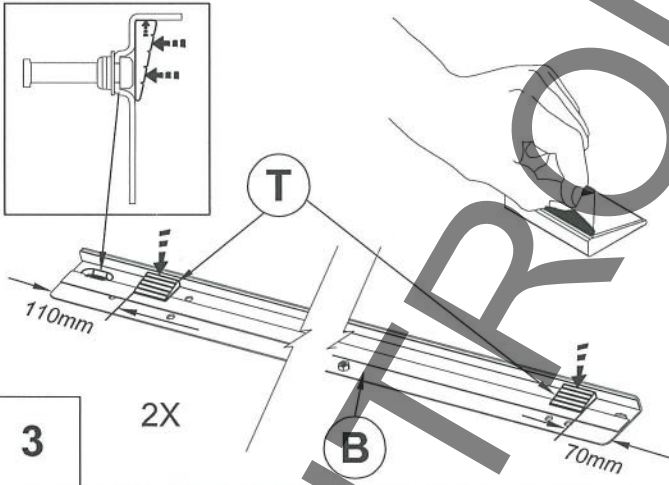
1



Vehicle Model	$\alpha$
Toyota Hilux Double Cab 2005 N25S, N25T	1
Isuzu D-Max Double & Extra Cab 2012 ATFS, ATFR	N/A - Do Not Fit
Volkswagen Amarok Double Cab 2010 2H, 2HS2	1
Ford Ranger T6 Double Cab 2011 2AB	2

2

T

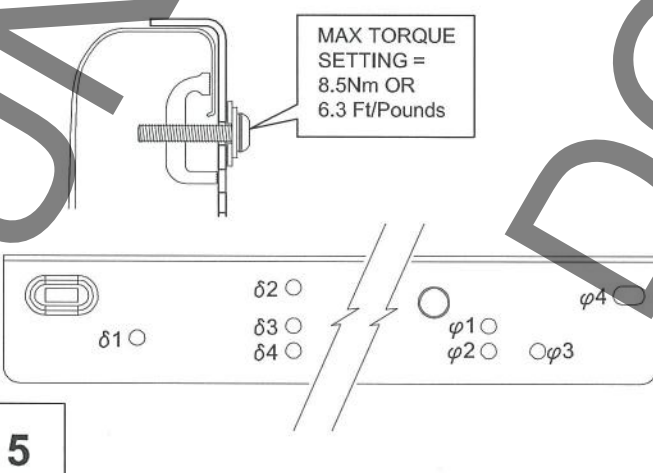
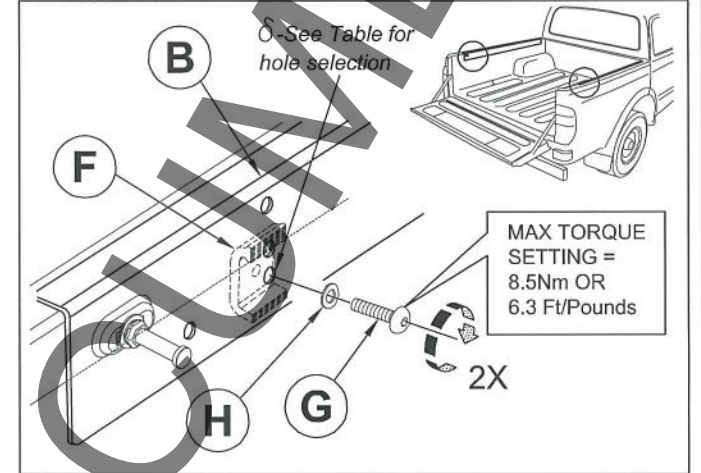
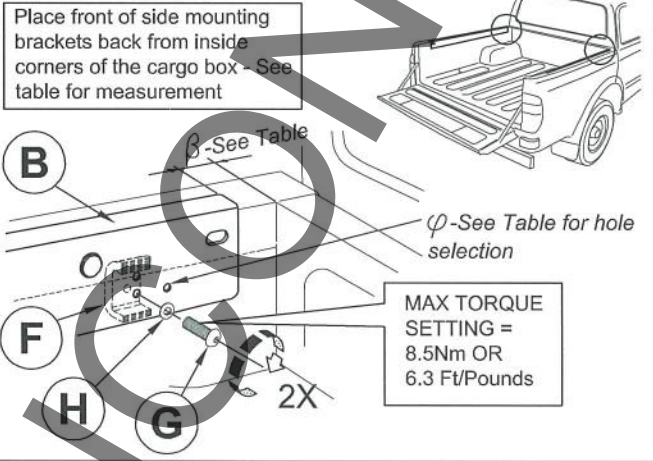


3

2X

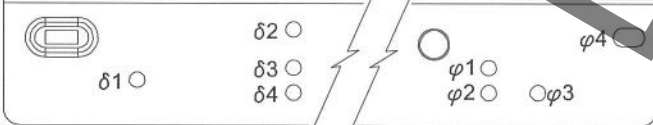
4

FINGER TIGHTEN ONLY

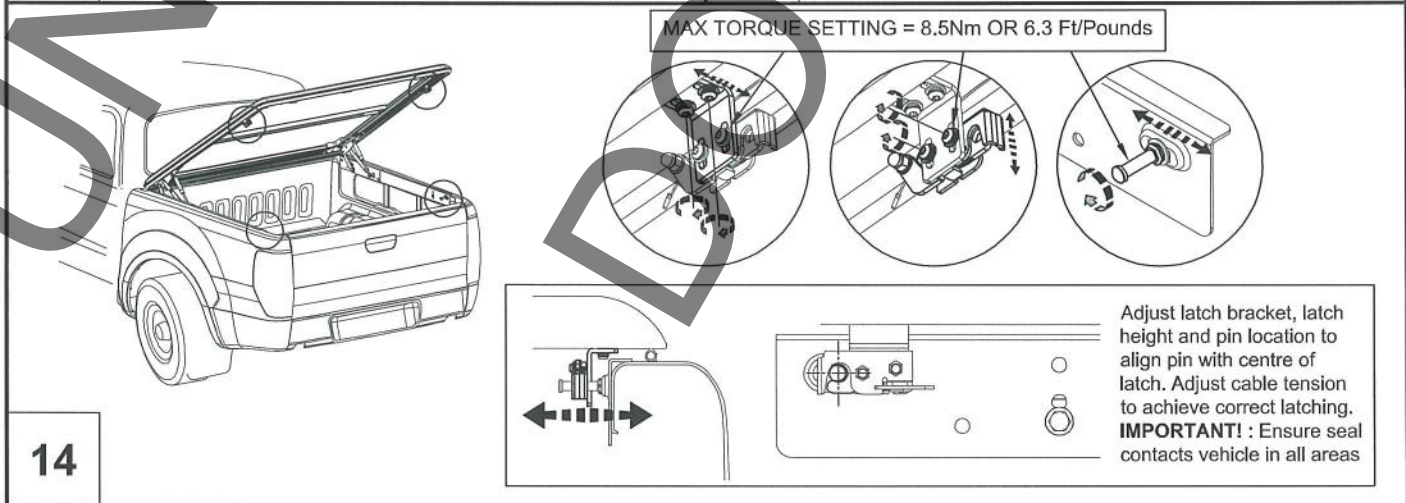
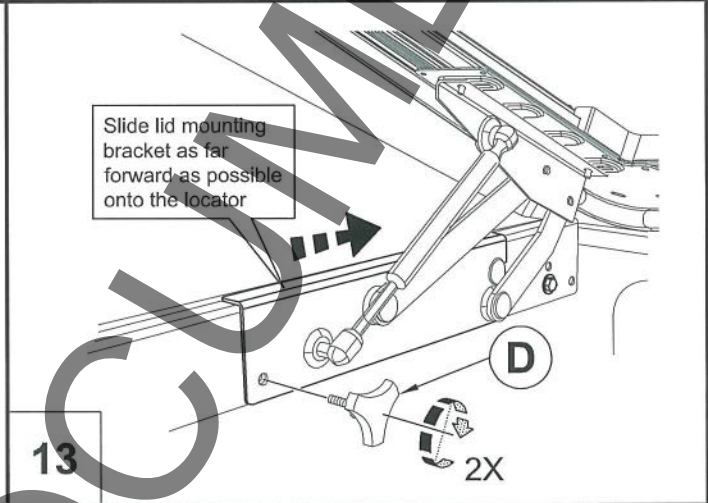
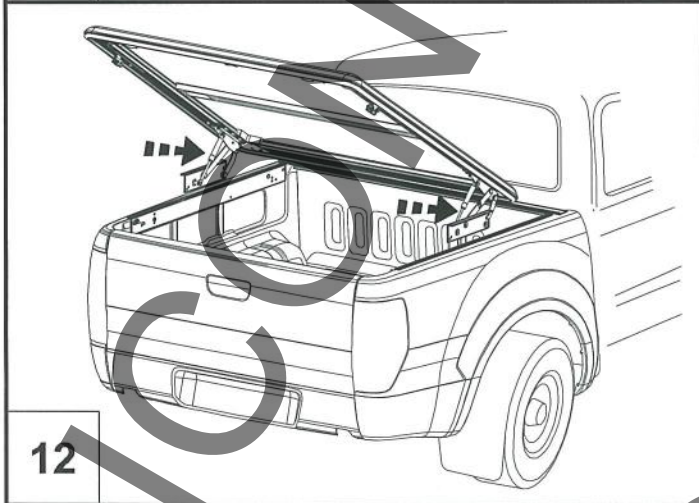
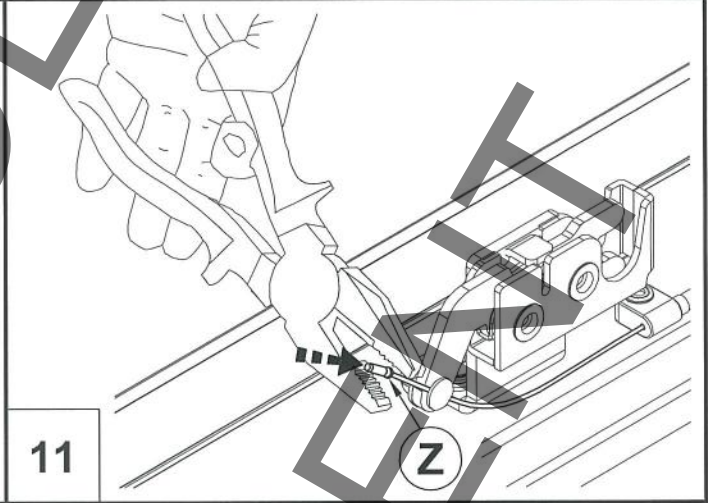
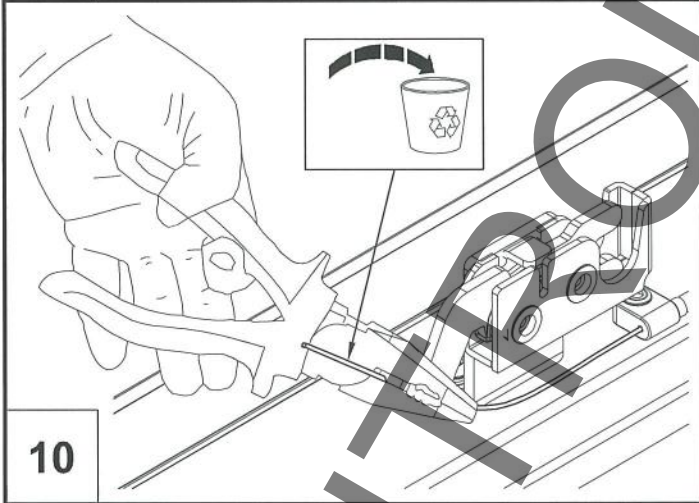
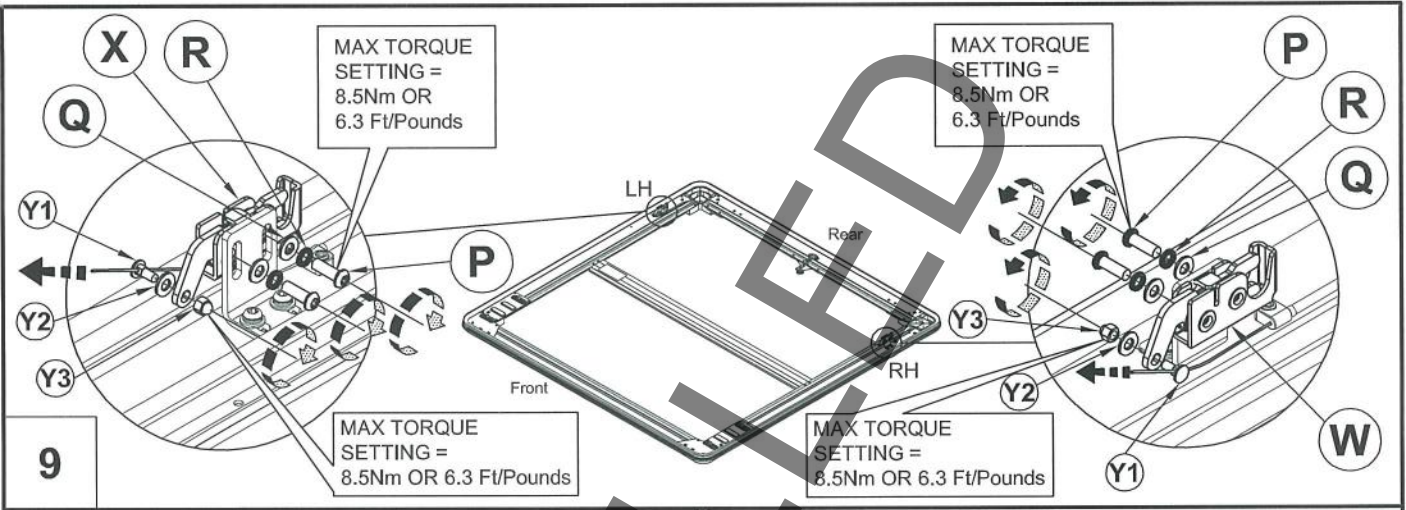


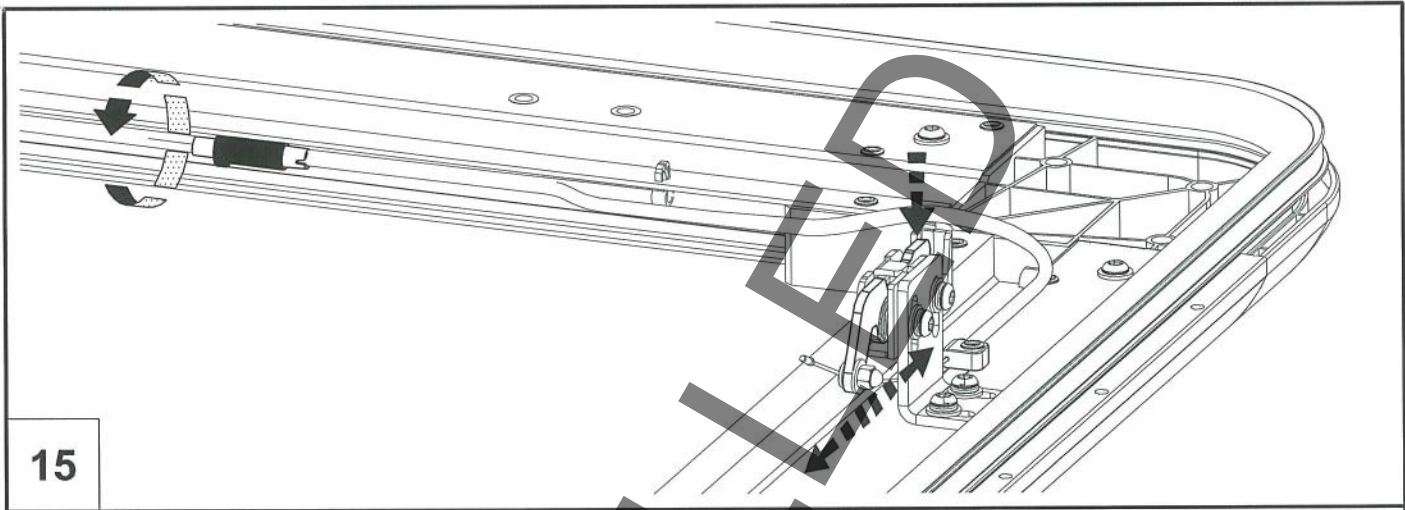
Vehicle Model	$\beta$	$\delta$	$\varphi$
Toyota Hilux Double Cab 2005 N25S, N25T	70.4mm	4	2
Isuzu D-Max Double & Extra Cab 2012 ATFS, ATFR	69mm	1	2
Ford Ranger T6 Double Cab 2011 2AB	72.4mm	4	3
Volkswagen Amarok Double Cab 2010 2H, 2HS2	70.4mm	3	1

5

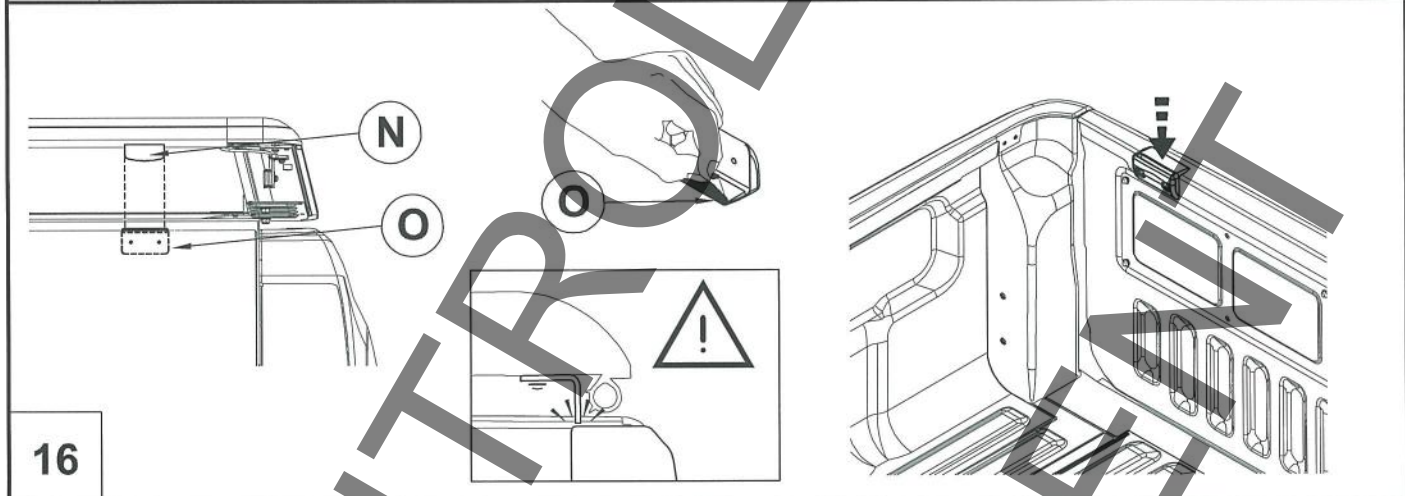




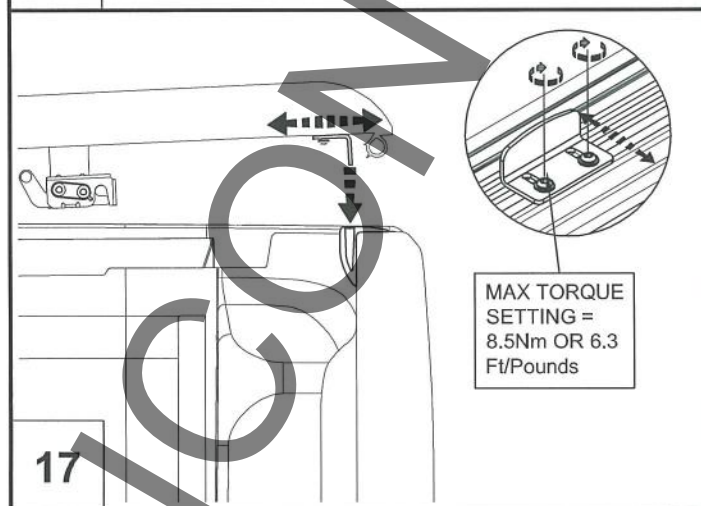




15

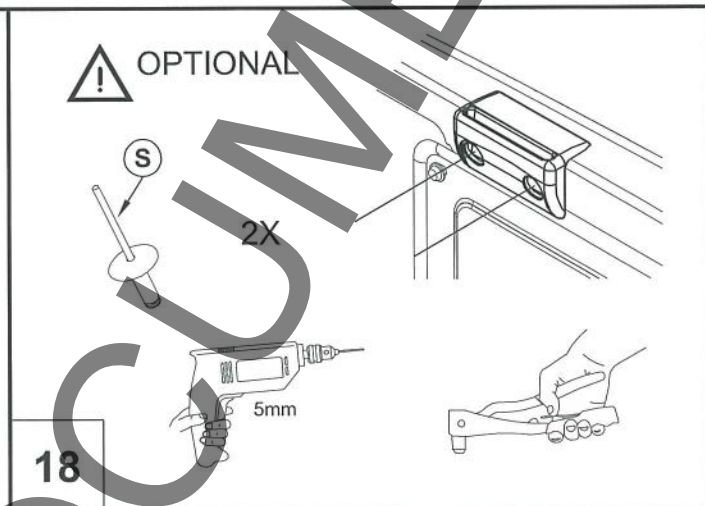


16



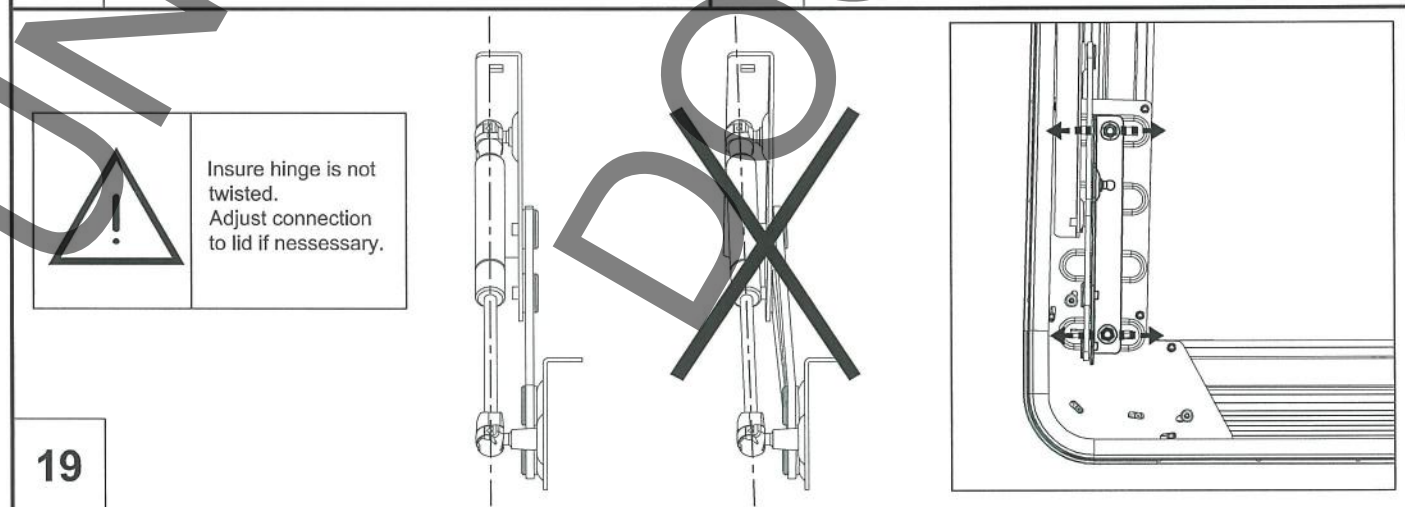
MAX TORQUE  
SETTING =  
8.5Nm OR 6.3  
Ft/Pounds

17



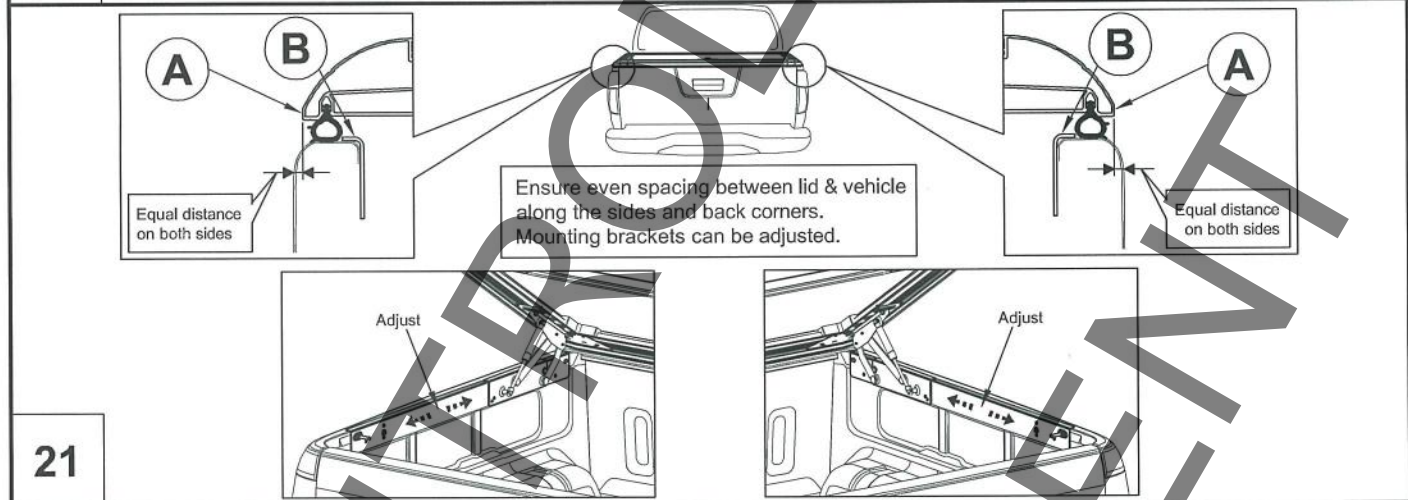
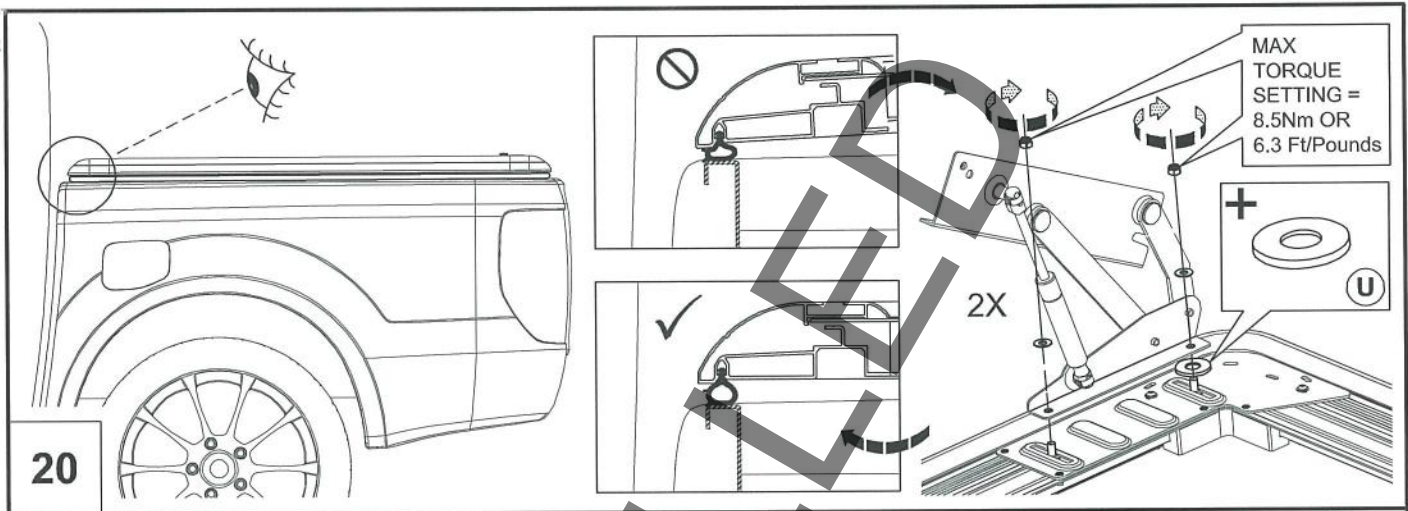
OPTIONAL

18



Insure hinge is not  
twisted.  
Adjust connection  
to lid if nessessary.

19



After installation carefully and thoroughly clean all debris from the inside of the cargo box.  
 Retain these instructions for future reference



## CAUTION!

- NEVER allow people or animals under the closed cover
- Do not place unsealed solvents or chemicals under the cover
- Do not stand or place heavy objects on the cover
- Do not open lid when under load.
- Close the cover before operating the vehicle
- Do not allow oil, solvents or chemicals to contact the cover
- Clean only with a mild detergent and water solution

Fitting Kit Number	Product	Revision	Date	Page
K403	Upstone Lid	2	11-04-2013	6 of 6