
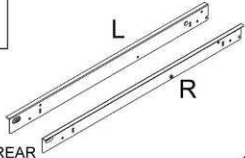
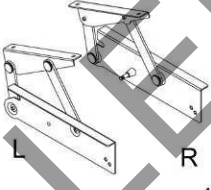
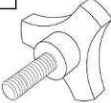
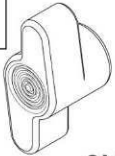

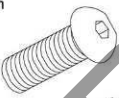





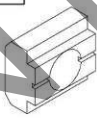
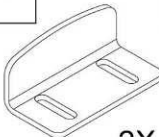
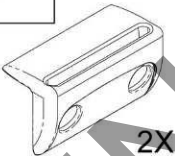




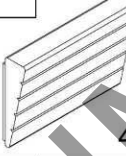
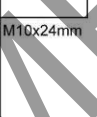

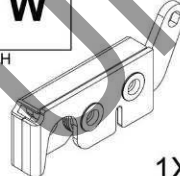
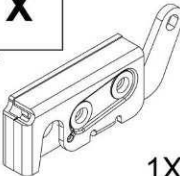


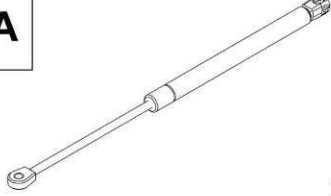
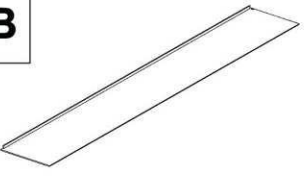


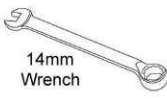



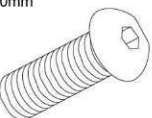
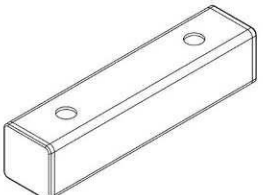
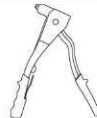

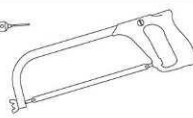


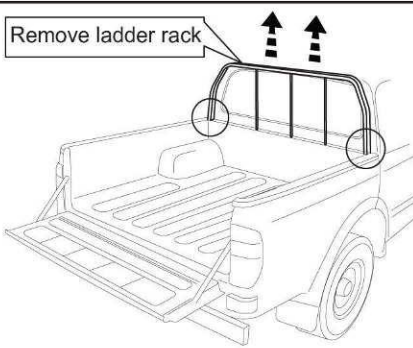
UpStoneEvolve

INSTALLATION INSTRUCTIONS K408

A  1X	B  L R REAR 1X	C  L R 1X	D  2X		
E  2X	F  4X	G  M8x25mm 4X	H  M8 x16 Stainless Steel Washer 6X	I  2X	J  M8 Nylock 4X
K  M8 Stainless Steel Spring Washer 2X	L  2X	M  2X	N  2X	O  2X	P  M6x18 16X
Q  M6x13mm Zinc 16X	R  M6x10mm 12X	S  4X	T  4X	U  M10x24mm 4X	V  M8 x16 Zinc Washer 8X
W  RH 1X	X  LH 1X	Y  M5 Cable Bolt, Washer & Dome Nut 2X	Z  2X	AA  2X	
AB  1X	AC  2X	<p>Note 1: If at any stage of installation you find your sportlid to be an unacceptable fit please contact the manufacturer before continuing.</p> <p>Note 2: If required, use Under Rail Bed Liner only. NOT FOR USE WITH OVER RAIL BED LINER!</p> <p>Tools Required:</p>     			
AD  M6x40mm 4X	AE  2X	<p>OPTIONAL</p>   			

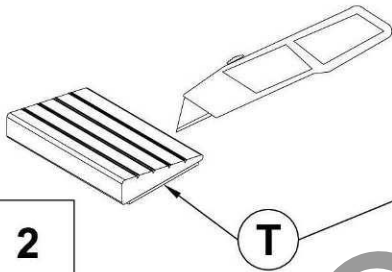
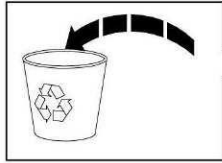
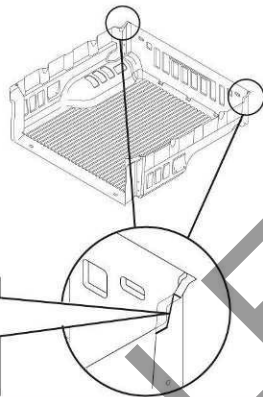
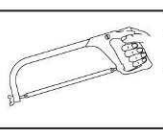
1

Remove ladder rack



Note 2: If required, use Proform Under Rail Bed Liner only. Not for use with Over Rail Bed Liner.

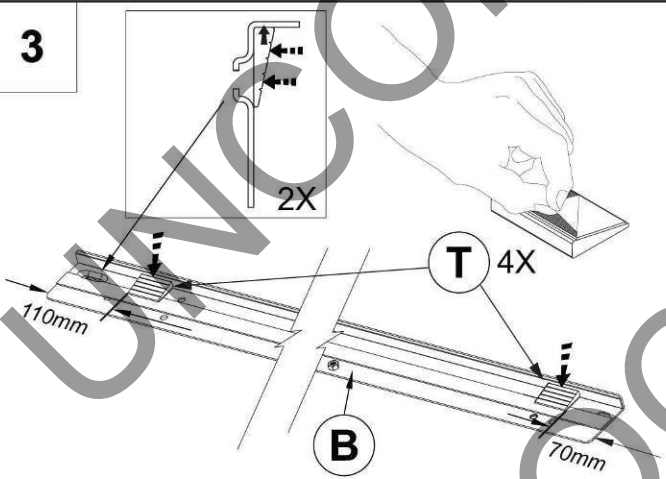
Follow guide lines to trim liner in front corners.



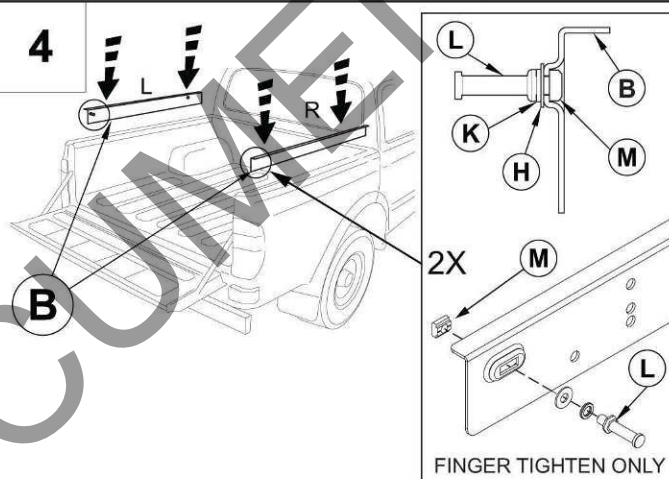
Vehicle Model	α
Mitsubishi L200 Double cab 2016+	2

2

3

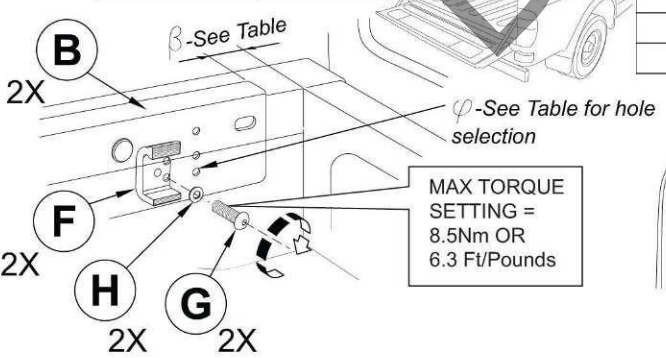


4

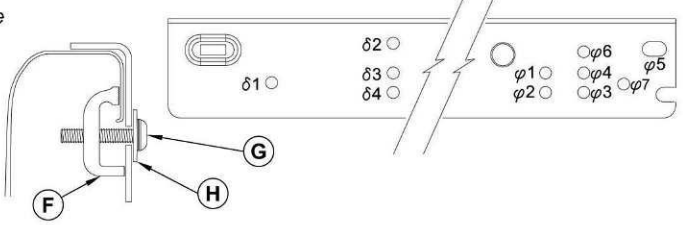


5

Place front of side mounting brackets back from inside corners of the cargo box - See table for measurement

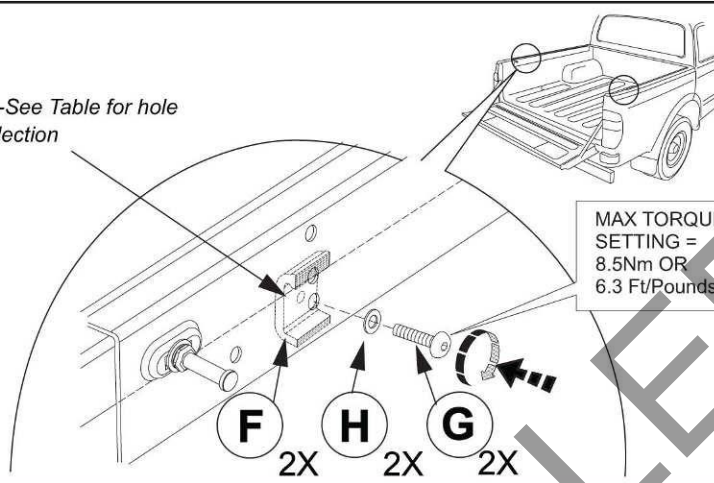


Vehicle Model	β	δ	φ
Mitsubishi L200 Double cab 2016+	65-75mm	1	3

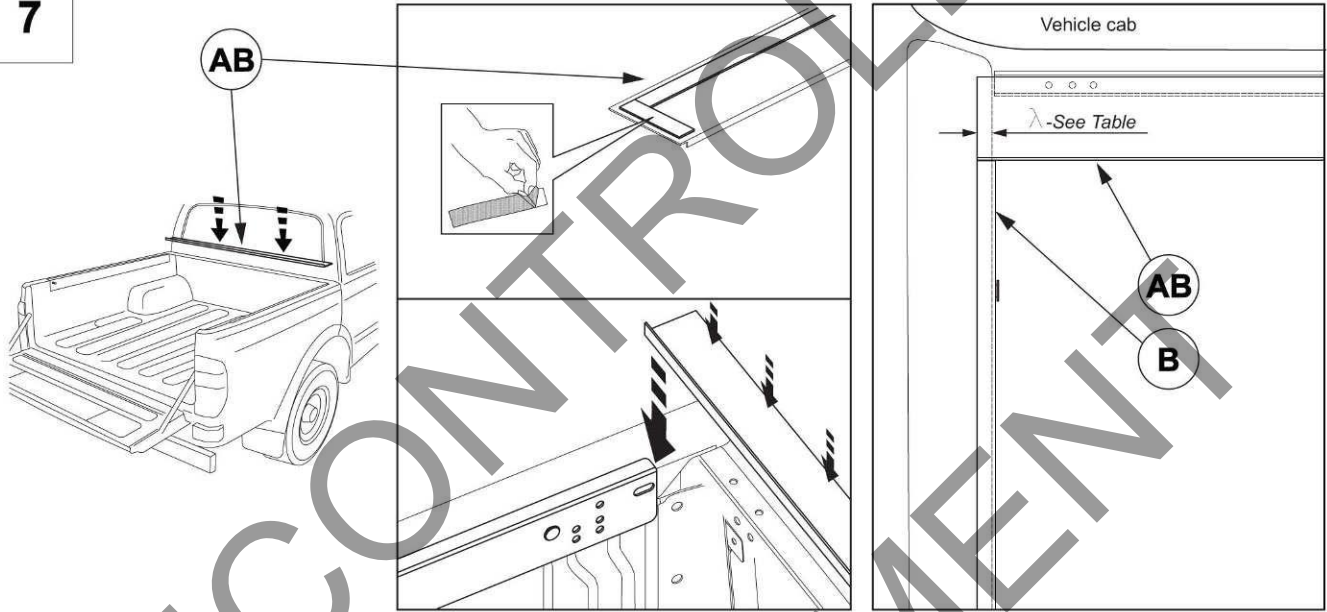


6

⌀ -See Table for hole selection



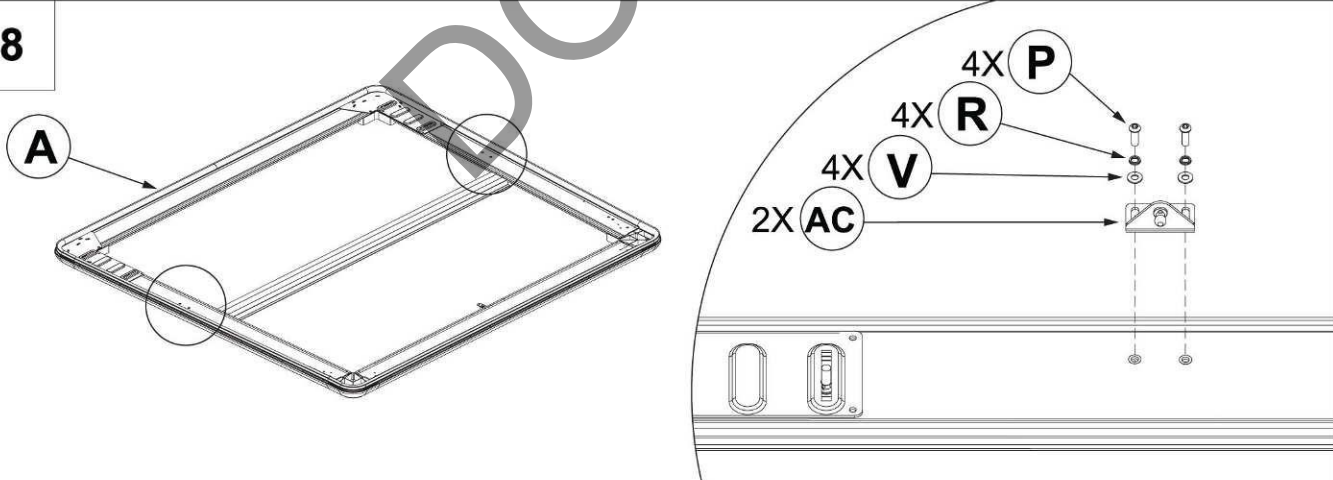
7



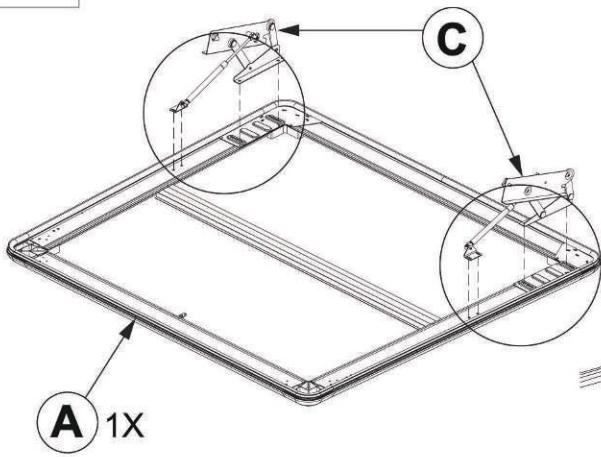
Vehicle Model	λ
Mitsubishi L200 Double cab 2016+	-

! DO NOT apply below 15°C.
Apply pressure to part. Adhesive is pressure activated.
Allow 3hrs minimum to cure before installing lid

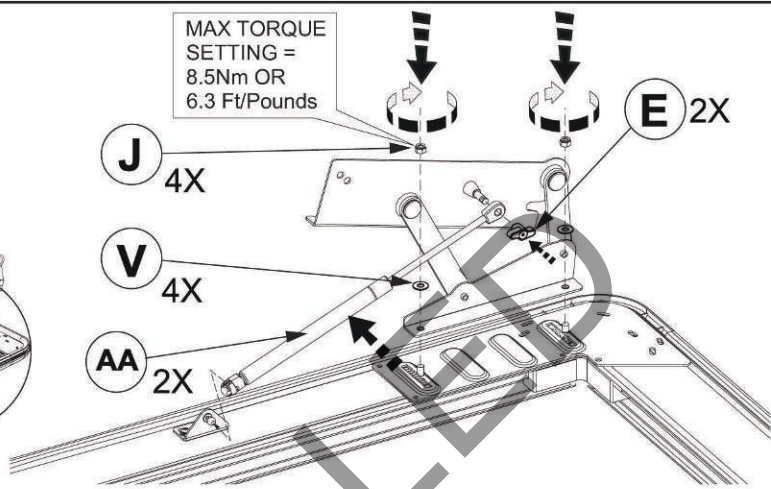
8



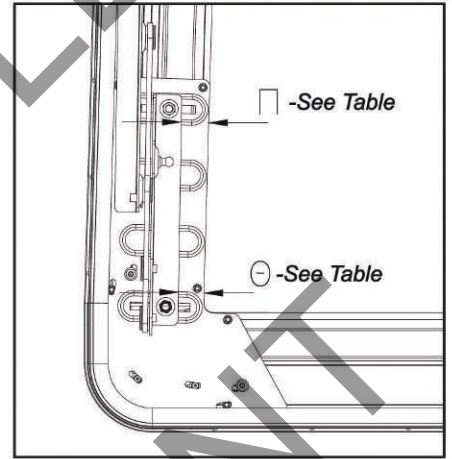
9



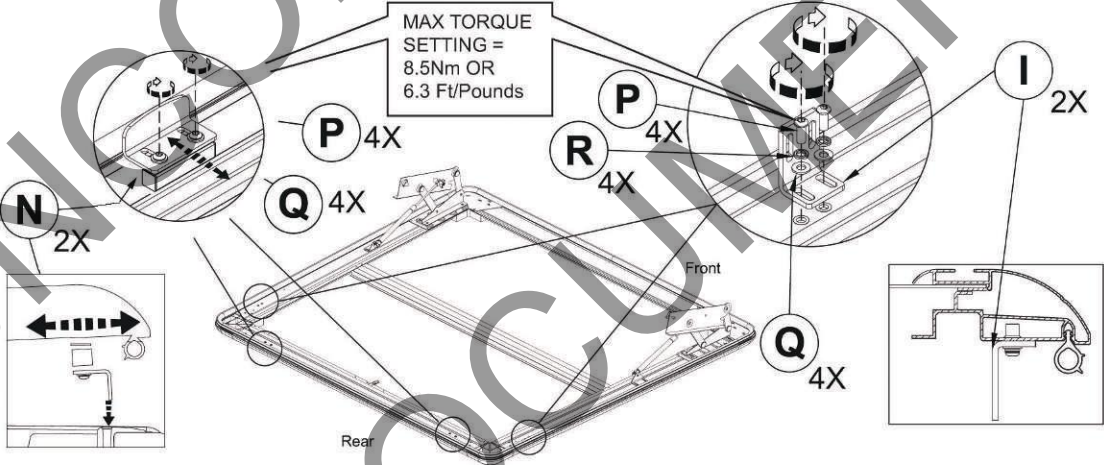
MAX TORQUE
SETTING =
8.5Nm OR
6.3 Ft/Pounds



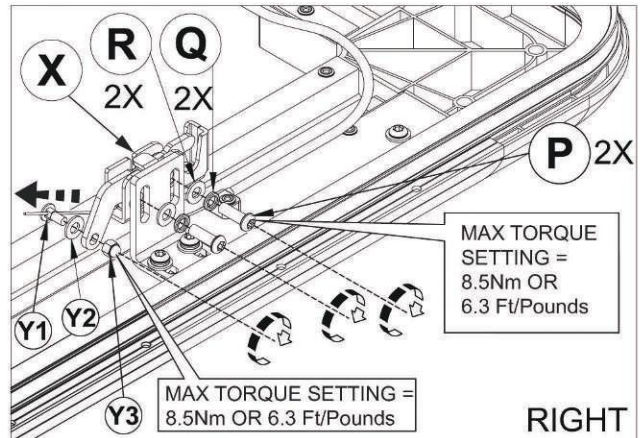
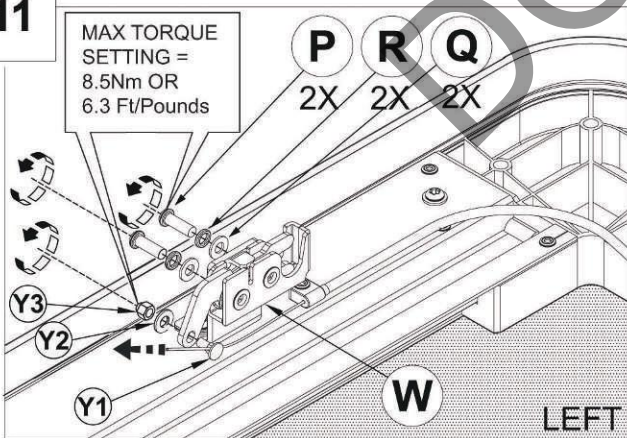
Vehicle Model			
Mitsubishi L200 Double cab 2016+	25 mm	25 mm	-



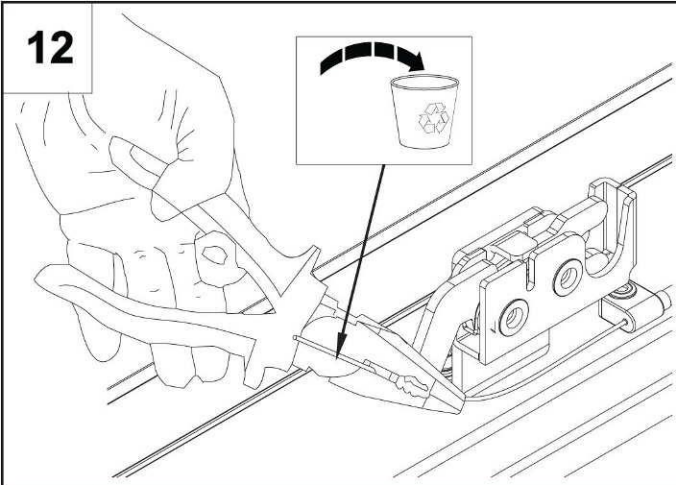
10



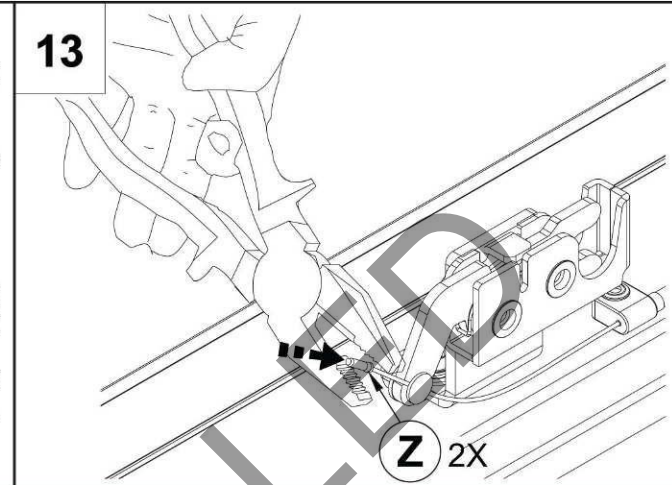
11



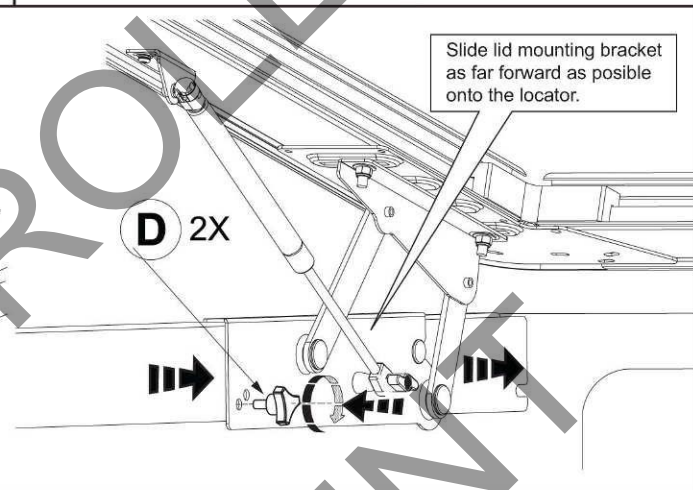
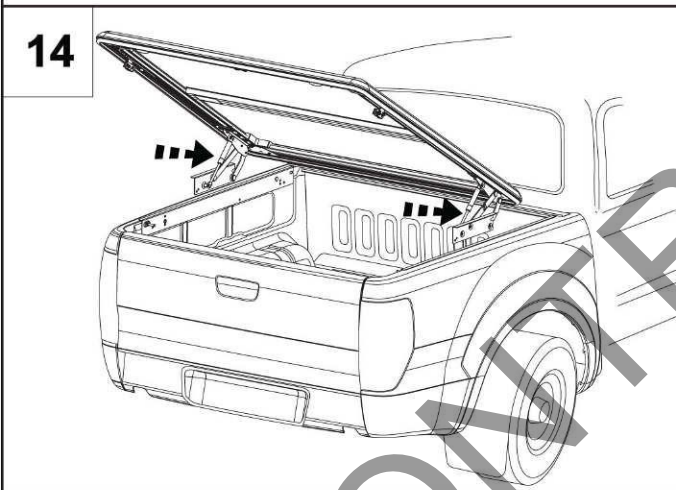
12



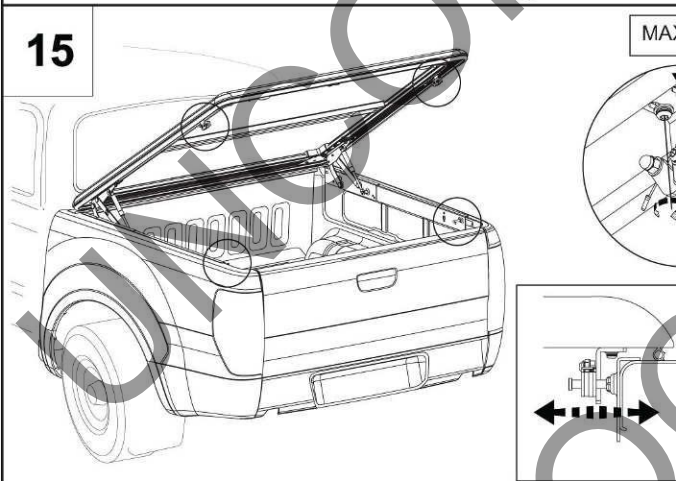
13



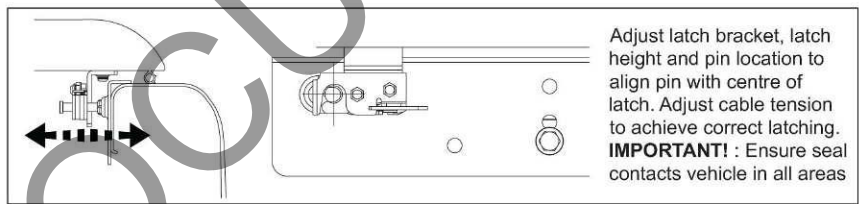
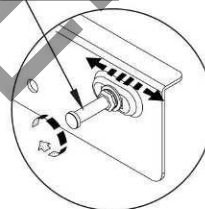
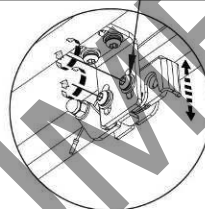
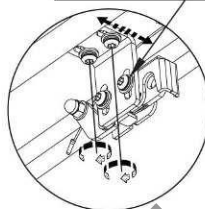
14



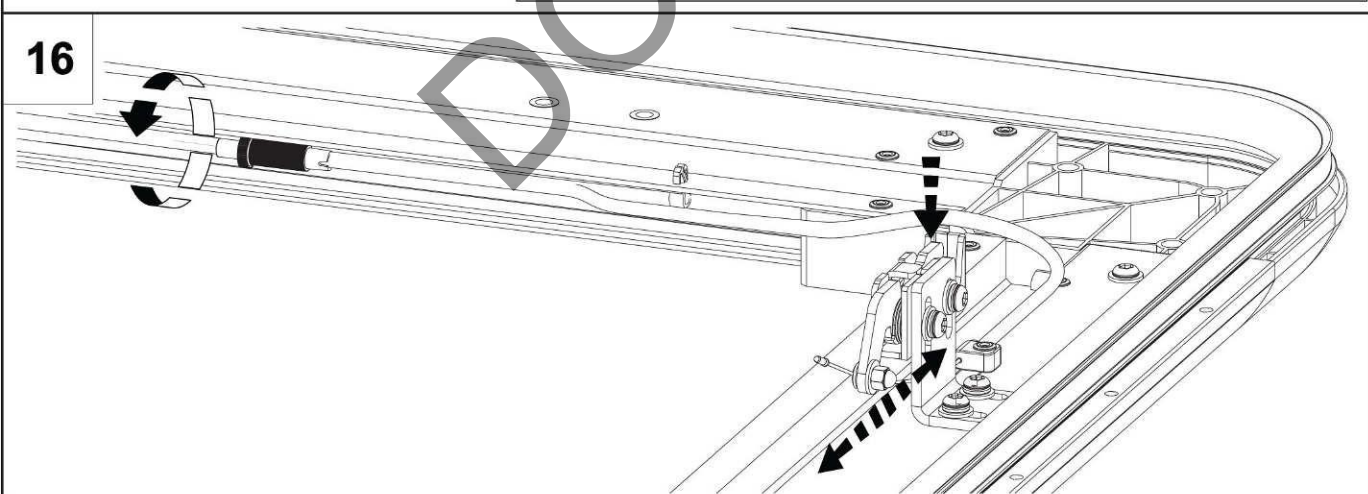
15



MAX TORQUE SETTING = 8.5Nm OR 6.3 Ft/Pounds



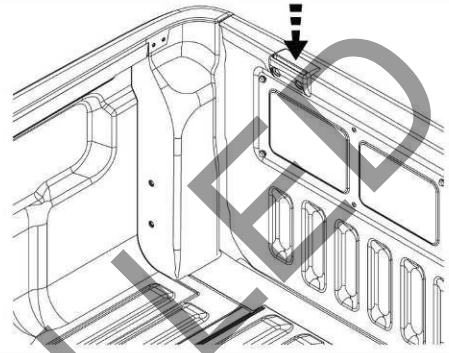
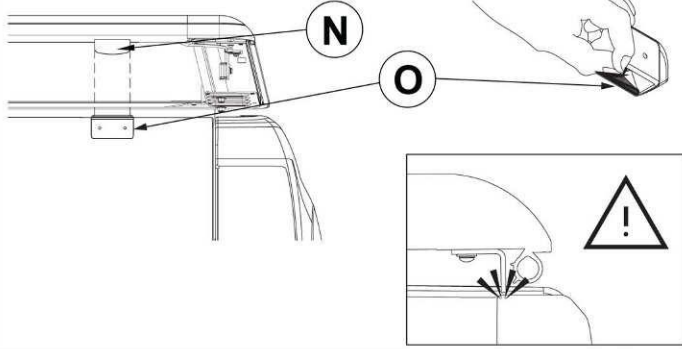
16



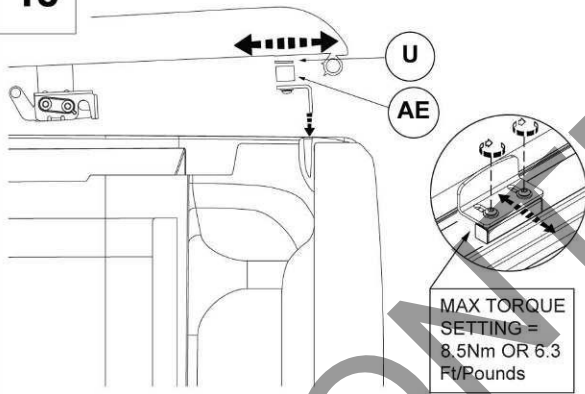
17



DO NOT apply below 15°C.
Apply pressure to part. Adhesive is pressure activated.
Allow 3hrs minimum to cure.



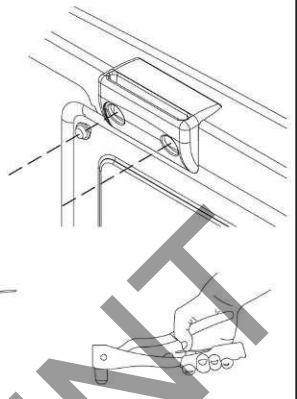
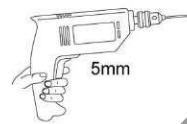
18



19



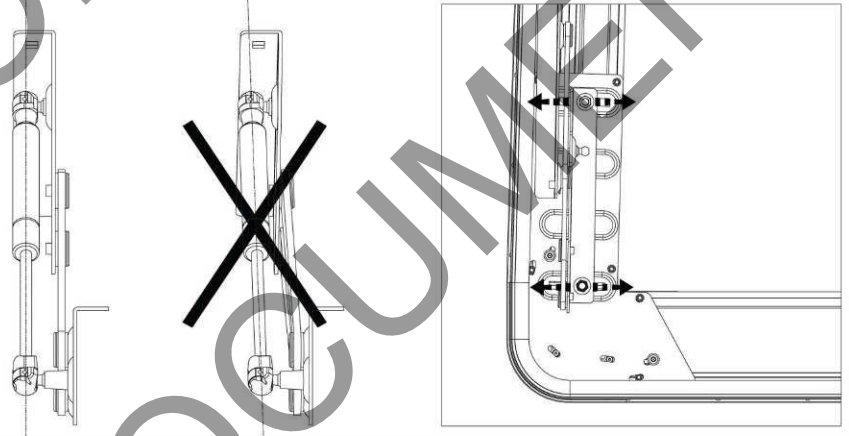
OPTIONAL



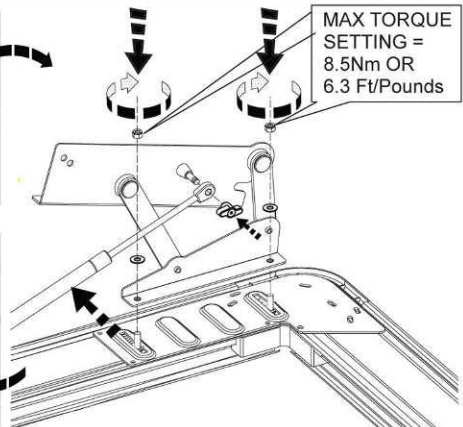
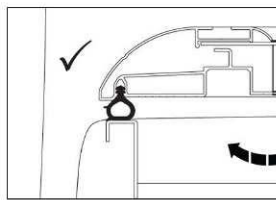
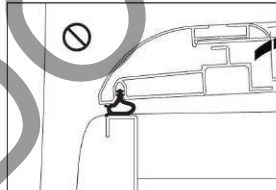
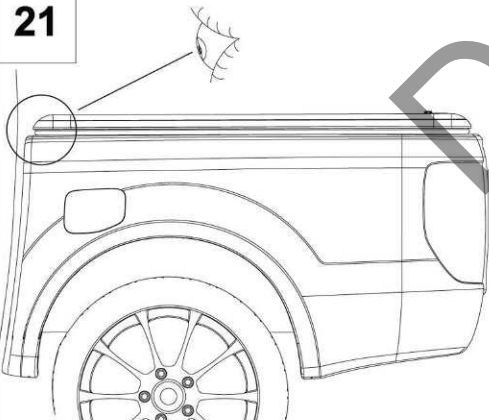
20



Insure hinge is not twisted.
Adjust connection to lid if nessessary.



21



Fitting Kit Number

K408

Product

Upstoke Lid

Revision

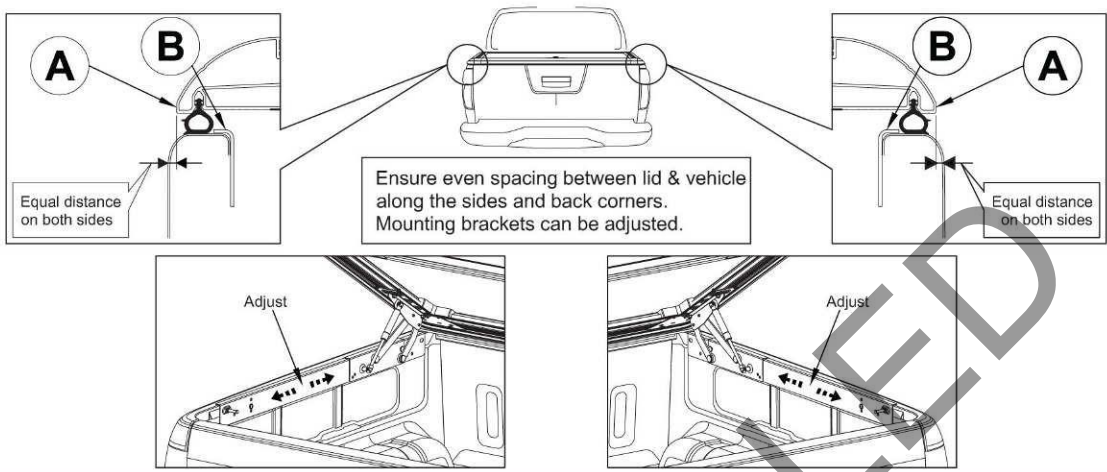
1

Date

15.03.2016

Page

6 of 7



After installation carefully and thoroughly clean all debris from the inside of the cargo box.
Retain these instructions for future reference



CAUTION!

- NEVER allow people or animals under the closed cover
- Do not place unsealed solvents or chemicals under the cover
- Do not stand or place heavy objects on the cover
- Do not open lid when under load.
- Close the cover before operating the vehicle
- Do not allow oil, solvents or chemicals to contact the cover
- Clean only with a mild detergent and water solution

MITSUBISHI L200 2016+ double & club cab



Item Code

Codice Articolo

Référence Article

EVRLB76L

EVRLB76LX

GB












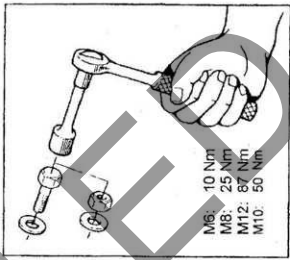
STAINLESS STEEL
MEDIUM BAR

FR

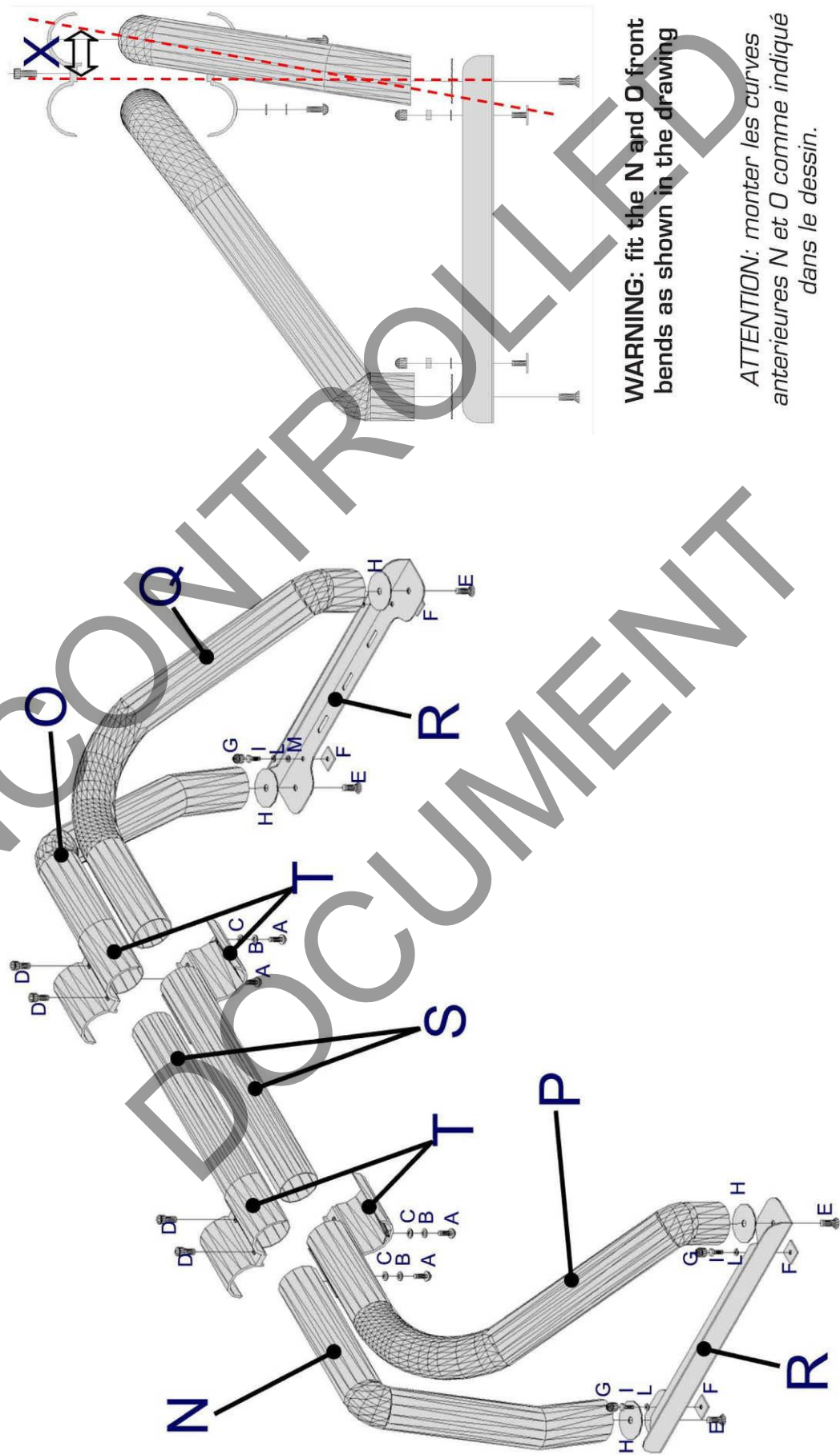
MEDIUM BAR
EN ACCIER INOX

MITSUBISHI L200 2016+

Double & Club cab

Part List									
<i>Liste des pièces</i>									
A	 TBCEI 8X25 x 4	 Ø 8 x 4	 Ø 8 x 4	D	 TCEI 10X25 x 4	E	 TSPEI M10X25 x 4		
F	 M6 x 4	G	Cappelletti M 6 x 4	H	 VIPLA Ø 80 x 4	I	 TE 6X15 x 4	L	 BIG Ø 6 GRAND x 4
M	 Ø 6 x 4	N	AS7/SX x1	O	AS7/DX x1	P	PS7/SX x1	Q	PS7/DX x1
R	 RLS/7TR x2	S	RLB/06 x2	T	RLB Ø76 x2				

MITSUBISHI L200 2016+ Double & Club cab



WARNING: fit the N and O front
bends as shown in the drawing

ATTENTION: monter les curves
anterieures N et O comme indique
dans le dessin.

UpStone*Evolve*

Sport bar installation



Step 1 : dismantle the corners by unscrewing the screws underneath the rear right and left corners.



Step 2 : Insert the squares in the rails.



Step 3 : Position the sport bar on the cover, align up the sport bar with the front rail, as shown in the picture here under.



Step 4 : insert the bolts, adjust and tighten, the sport bar is mounted.

Step 5 : Put the corners back on the cover.



***UpStone*Evolve**

info@upstone.fr