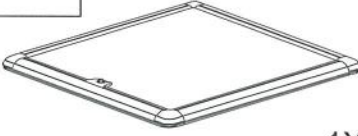
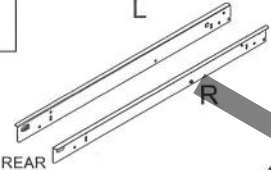
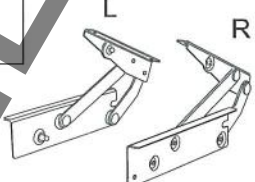

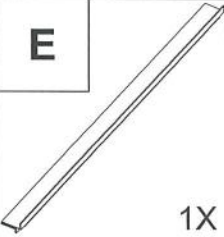






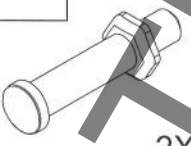
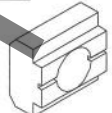
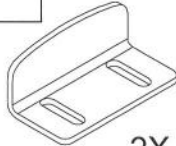
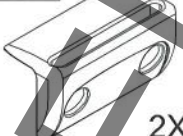




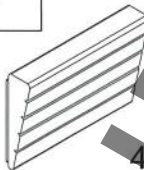


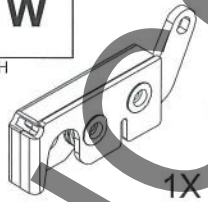
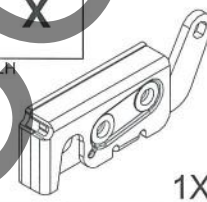


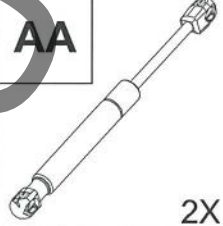


UpStoneEvolve

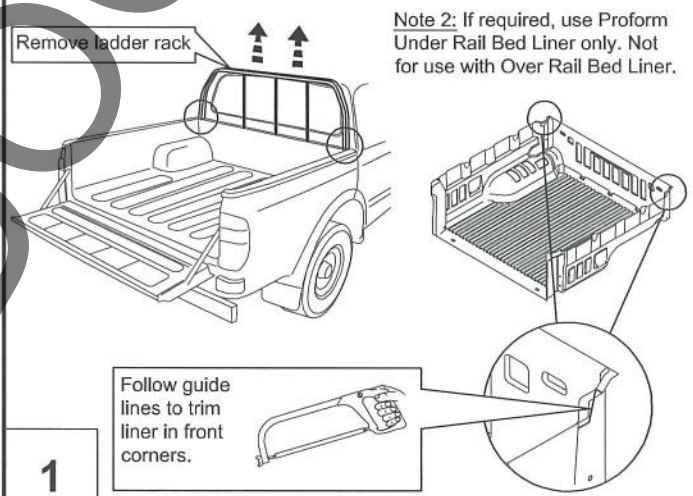
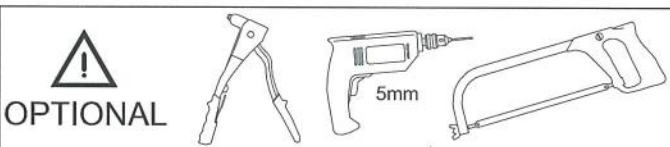
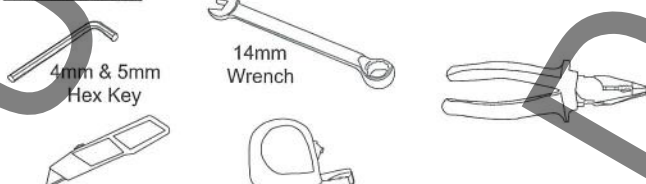
INSTALLATION INSTRUCTIONS K403

A  1X	B  REAR 1X	C  L R 1X	D  2X
E  1X	F  4X	G  M8x25mm 4X	H  M8 x16 Stainless Steel Washer 6X
I  2X	J  M8 Nylock 4X	K  M8 Stainless Steel Spring Washer 2X	L  2X
M  2X	N  2X	O  2X	P  M6x18 12X
Q  M6x13mm Zinc 12X	R  M6x10mm 8X	S  4X	T  4X
U  M10x24mm 4X	V  M8 x16 Zinc Washer 4X	W  RH 1X	X  LN 1X
Y  M5 Cable Bolt, Washer & Dome Nut 2X	Z  2X	AA  2X	

Note 1: If at any stage of installation you find your sportlid to be an unacceptable fit please contact the manufacturer before continuing.

Note 2: If required, use Under Rail Bed Liner only. **NOT FOR USE WITH OVER RAIL BED LINER!**

Tools Required:



1

Vehicle Model

α

Toyota Hilux Double Cab 2005 N25S, N25T

1

Isuzu D-Max Double & Extra Cab 2012 ATFS, ATFR

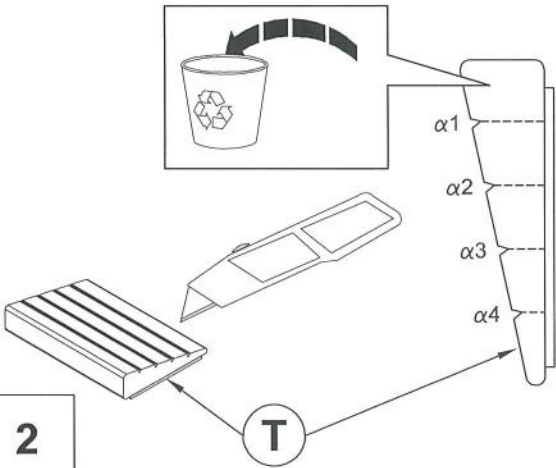
N/A - Do Not Fit

Volkswagen Amarok Double Cab 2010 2H, 2HS2

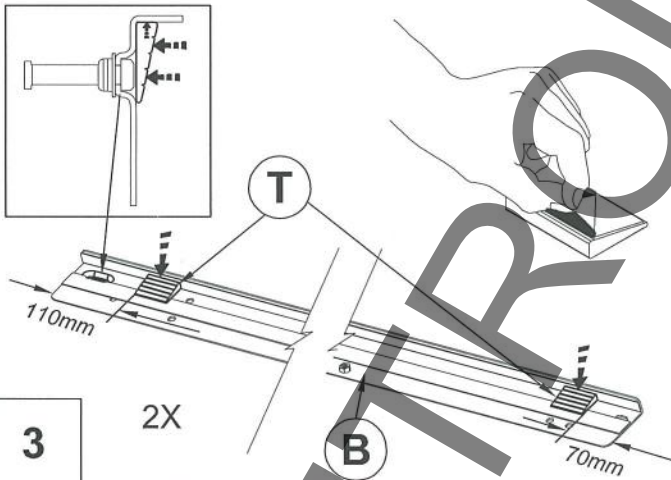
1

Ford Ranger T6 Double Cab 2011 2AB

2

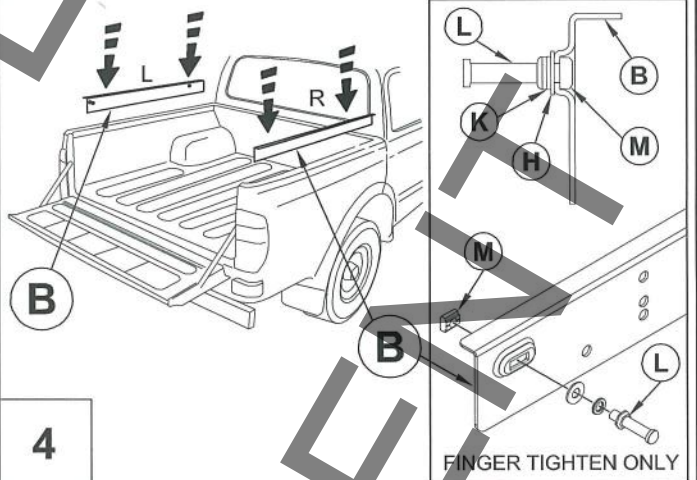


2



3

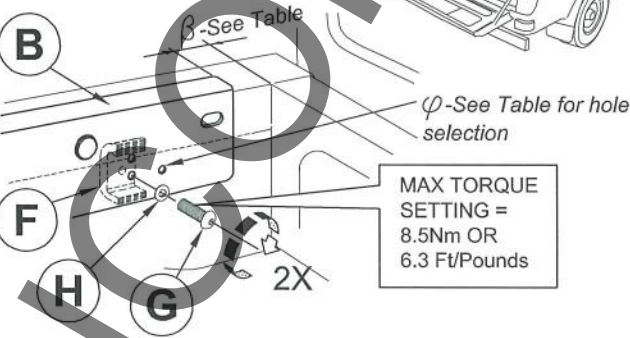
2X



4

FINGER TIGHTEN ONLY

Place front of side mounting brackets back from inside corners of the cargo box - See table for measurement

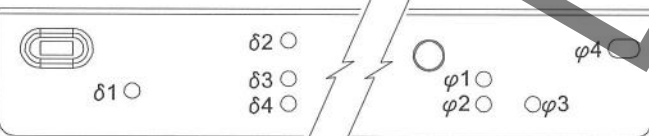


5

MAX TORQUE SETTING = 8.5Nm OR 6.3 Ft/Pounds

MAX TORQUE SETTING = 8.5Nm OR 6.3 Ft/Pounds

2X



Vehicle Model

β

δ

φ

Toyota Hilux Double Cab 2005 N25S, N25T

70.4mm

4

2

Isuzu D-Max Double & Extra Cab 2012 ATFS, ATFR

69mm

1

2

Ford Ranger T6 Double Cab 2011 2AB

72.4mm

4

3

Volkswagen Amarok Double Cab 2010 2H, 2HS2

70.4mm

3

1

Fitting Kit Number

K403

Product

Ustone Lid

Revision

2

Date

11-04-2013

Page

2 of 6

Vehicle cab

λ-See Table

E

6

Vehicle Model	λ
Toyota Hilux Double Cab 2005 N25S, N25T	23mm
Isuzu D-Max Double & Extra Cab 2012 ATFS, ATFR	28mm
Ford Ranger T6 Double Cab 2011 2AB	37.5mm
Volkswagen Amarok Double Cab 2010 2H, 2HS2	27mm

MAX TORQUE SETTING = 8.5Nm OR 6.3 Ft/Pounds

Cutouts slot to fit on boss of side Mounting Brackets

4X J

4X H

2X AA

V

U -See Table

7

Vehicle Model	Π	Θ	Σ
Toyota Hilux Double Cab 2005 N25S, N25T	31mm	31mm	-
Isuzu D-Max Double & Extra Cab 2012 ATFS, ATFR	26mm	29mm	-
Ford Ranger T6 Double Cab 2011 2AB	16mm	16mm	2 Qty
Volkswagen Amarok Double Cab 2010 2H, 2HS2	22mm	22mm	1Qty

MAX TORQUE SETTING = 8.5Nm OR 6.3 Ft/Pounds

2X N

2X

P

R

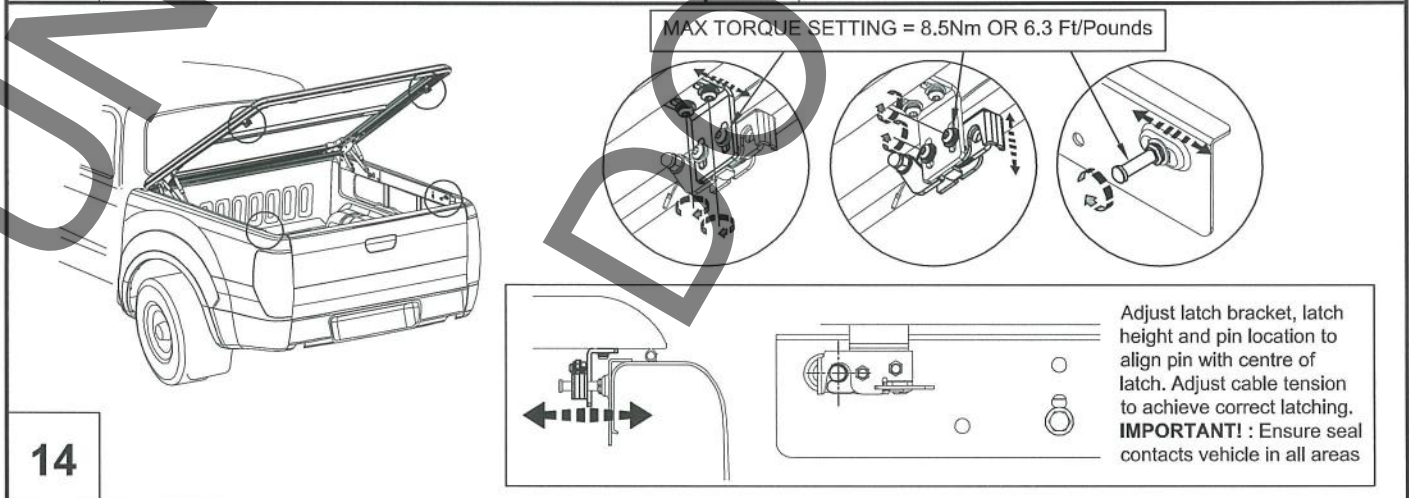
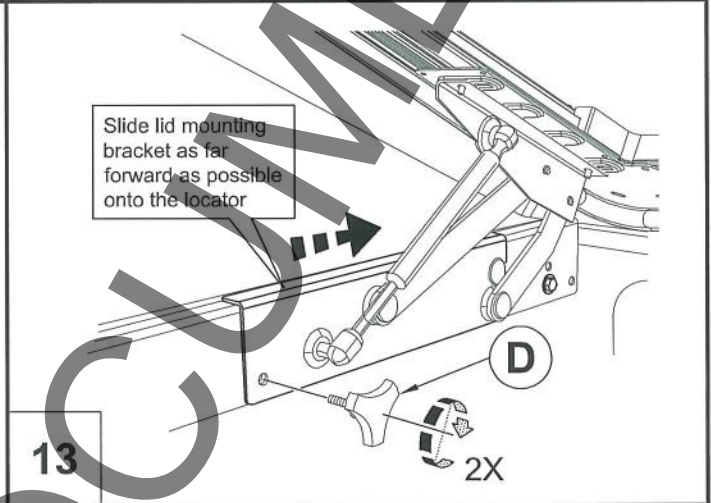
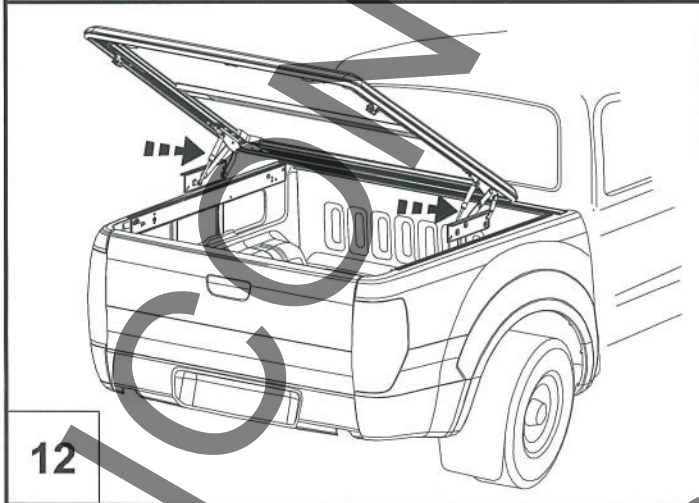
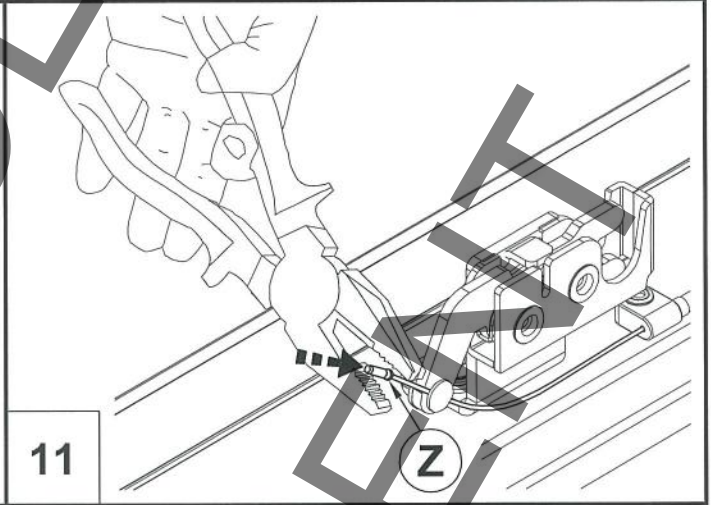
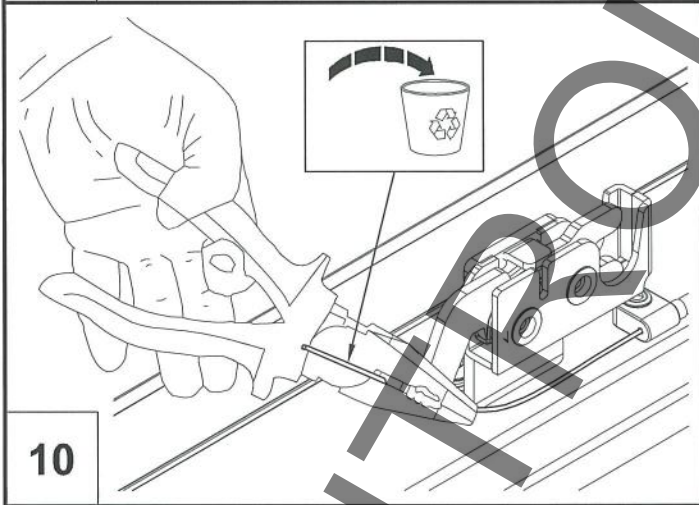
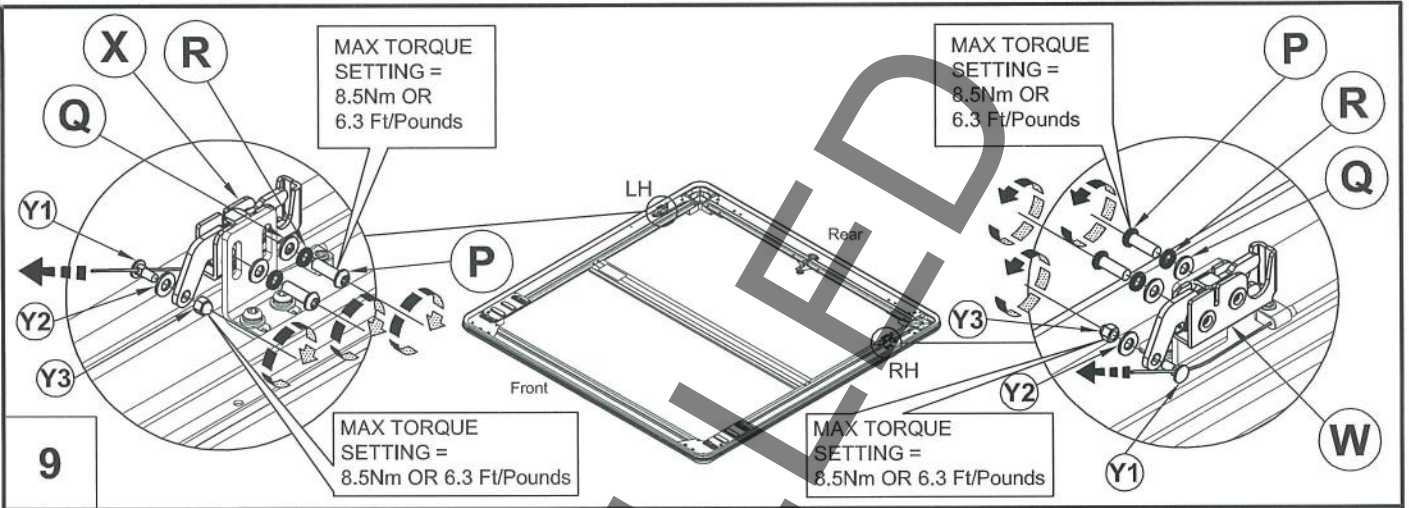
Q

Front

Rear

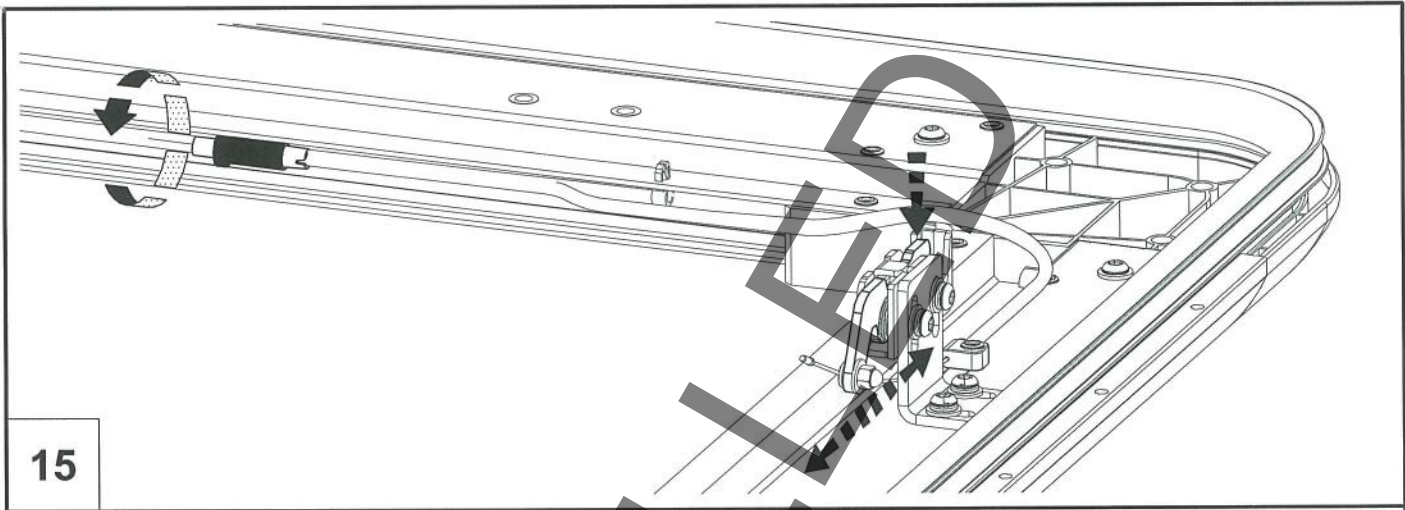
I

8

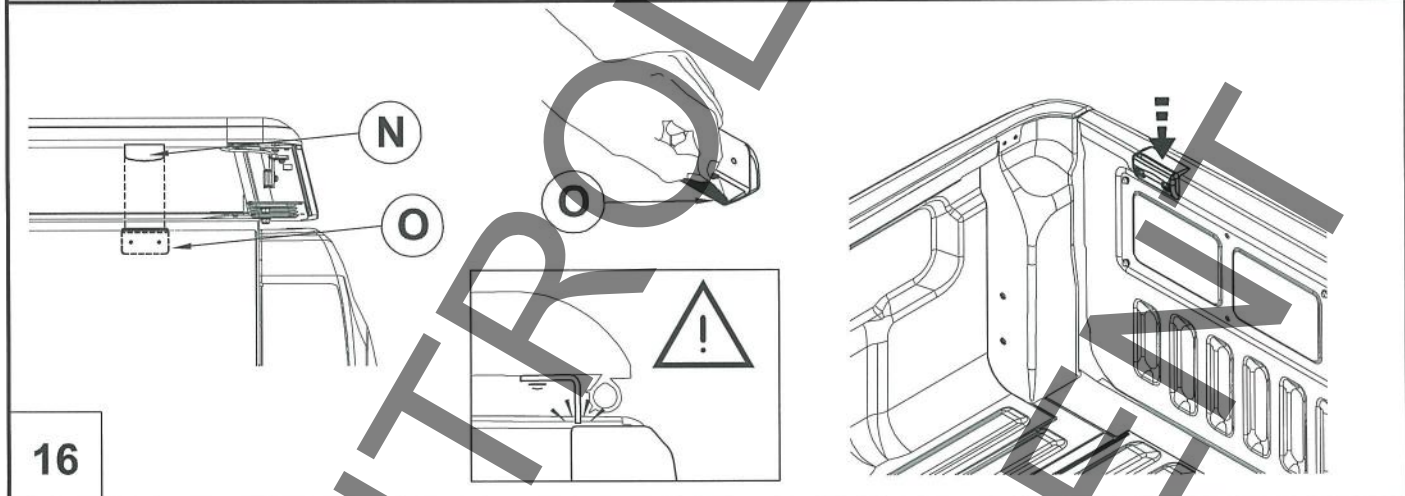


Adjust latch bracket, latch height and pin location to align pin with centre of latch. Adjust cable tension to achieve correct latching. **IMPORTANT!** : Ensure seal contacts vehicle in all areas

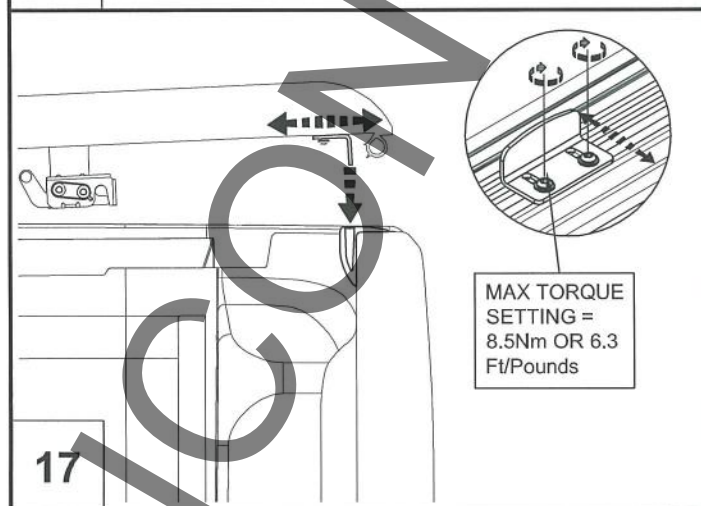
Fitting Kit Number	Product	Revision	Date	Page
K403	Upstone Lid	2	11-04-2013	4 of 6



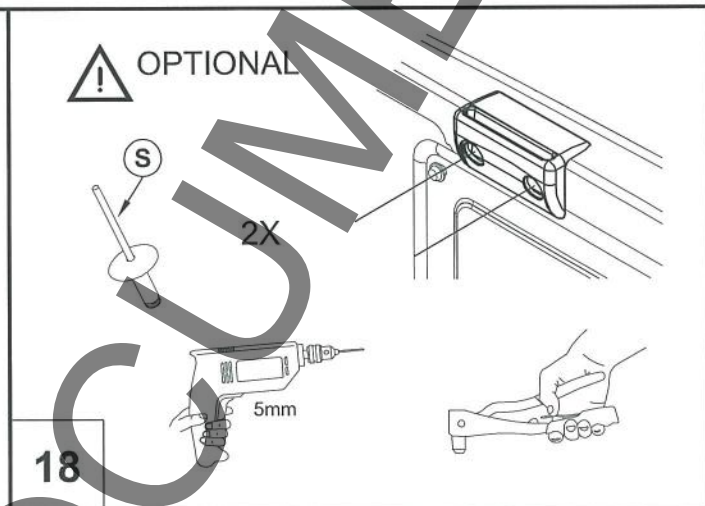
15



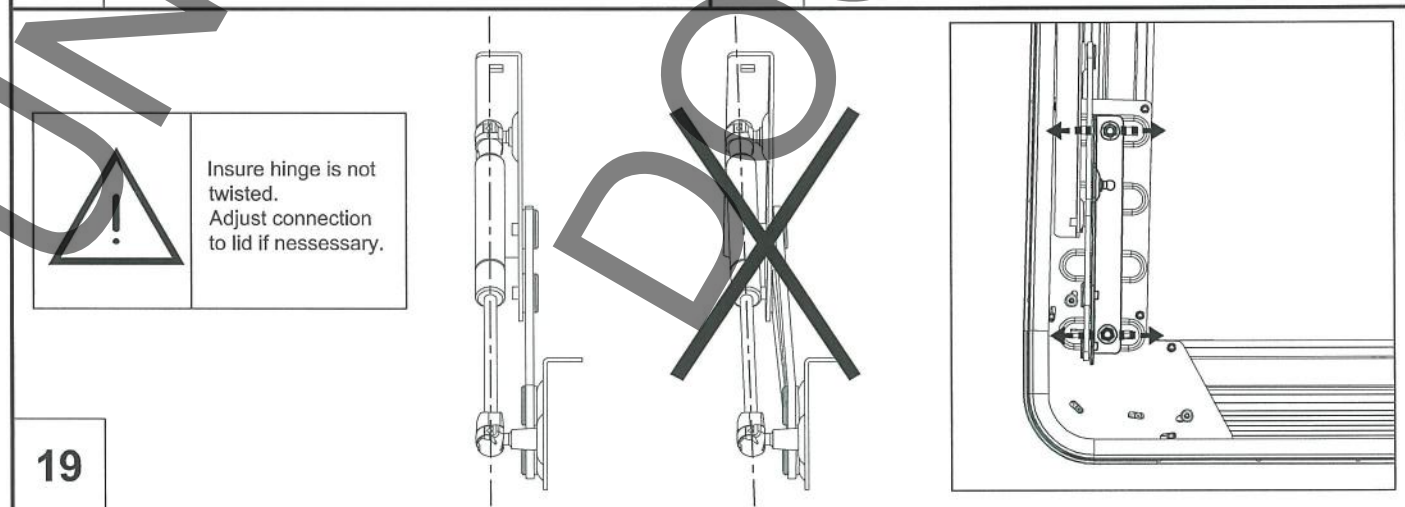
16



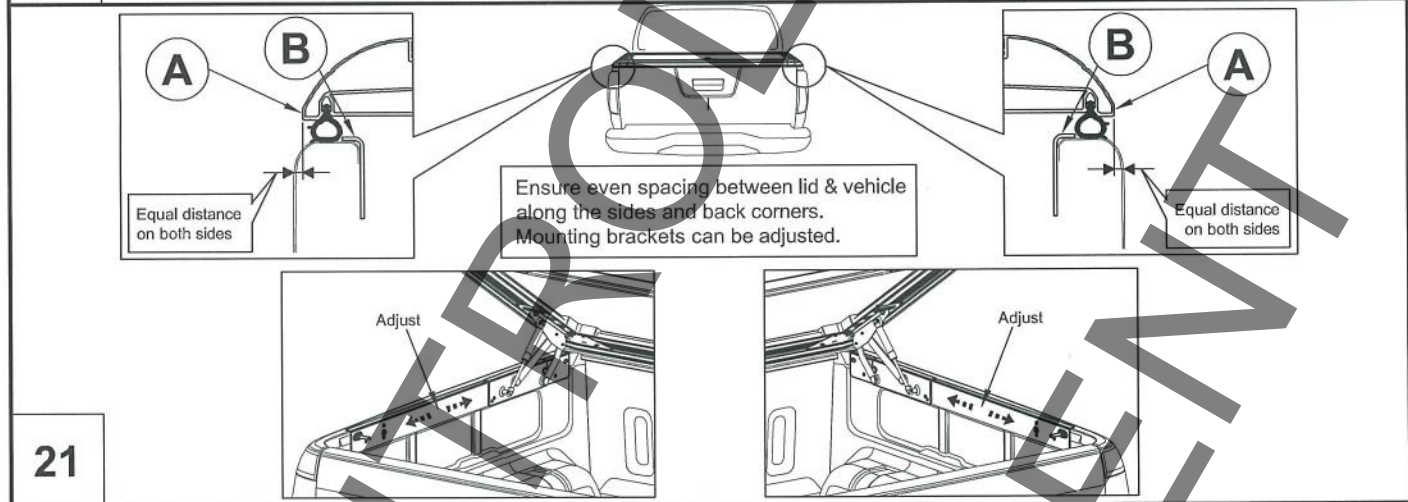
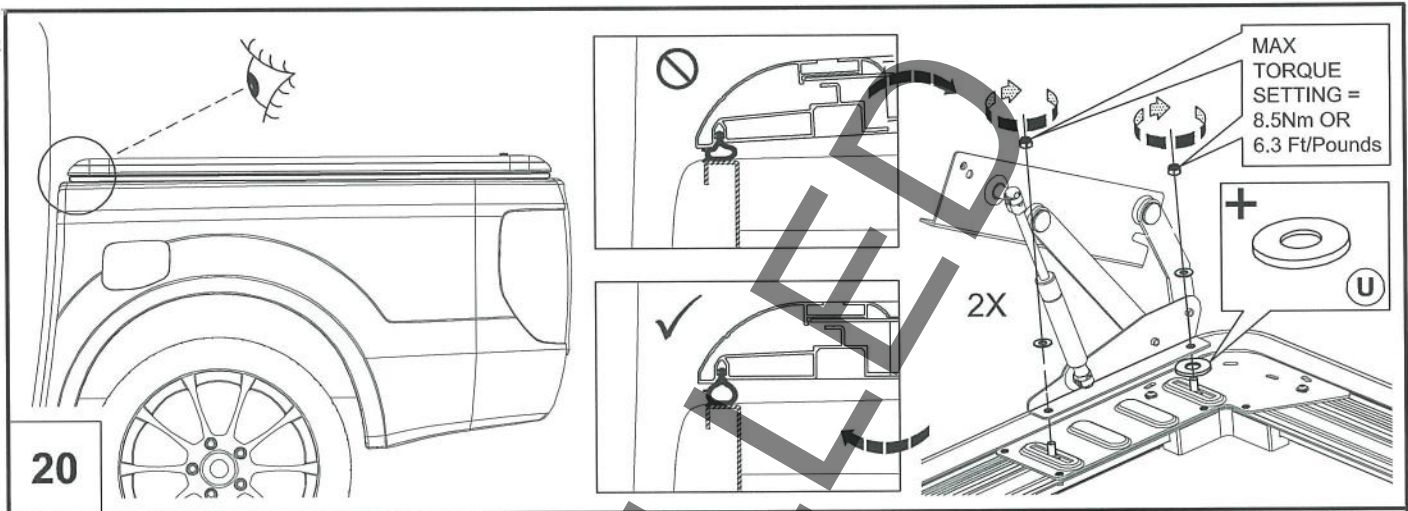
17



18



19



After installation carefully and thoroughly clean all debris from the inside of the cargo box.
Retain these instructions for future reference



CAUTION!

- NEVER allow people or animals under the closed cover
- Do not place unsealed solvents or chemicals under the cover
- Do not stand or place heavy objects on the cover
- Do not open lid when under load.
- Close the cover before operating the vehicle
- Do not allow oil, solvents or chemicals to contact the cover
- Clean only with a mild detergent and water solution

Fitting Kit Number	Product	Revision	Date	Page
K403	Upstone Lid	2	11-04-2013	6 of 6