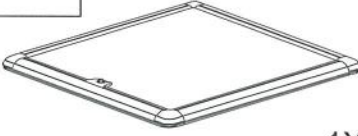
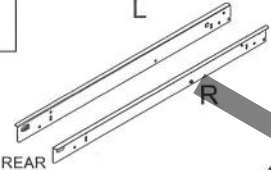
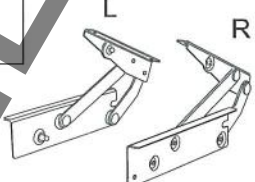

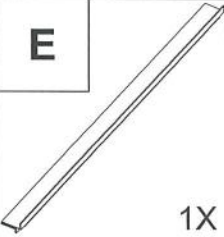






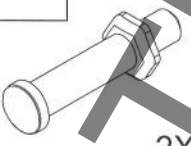
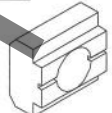
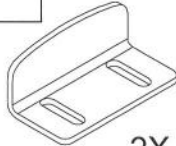
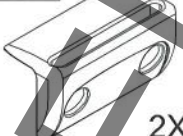




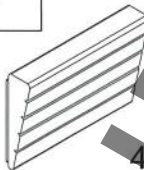


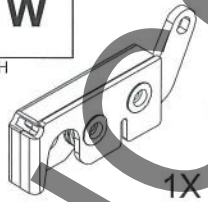
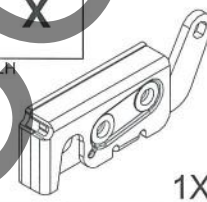


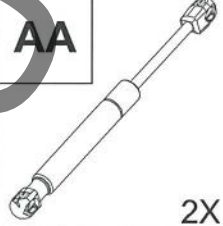


# UpStoneEvolve

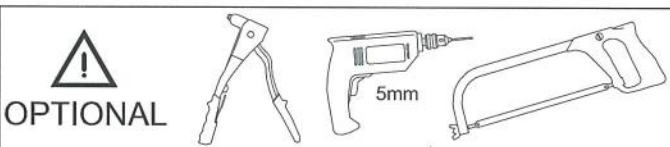
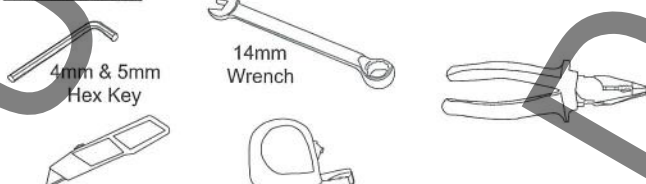
## INSTALLATION INSTRUCTIONS K403

<b>A</b>  1X	<b>B</b>  REAR 1X	<b>C</b>  L R 1X	<b>D</b>  2X
<b>E</b>  1X	<b>F</b>  4X	<b>G</b>  M8x25mm 4X	<b>H</b>  M8 x16 Stainless Steel Washer 6X
<b>I</b>  2X	<b>J</b>  M8 Nylock 4X	<b>K</b>  M8 Stainless Steel Spring Washer 2X	<b>L</b>  2X
<b>M</b>  2X	<b>N</b>  2X	<b>O</b>  2X	<b>P</b>  M6x18 12X
<b>Q</b>  M6x13mm Zinc 12X	<b>R</b>  M6x10mm 8X	<b>S</b>  4X	<b>T</b>  4X
<b>U</b>  M10x24mm 4X	<b>V</b>  M8 x16 Zinc Washer 4X	<b>W</b>  RH 1X	<b>X</b>  LN 1X
<b>Y</b>  M5 Cable Bolt, Washer & Dome Nut 2X	<b>Z</b>  2X	<b>AA</b>  2X	

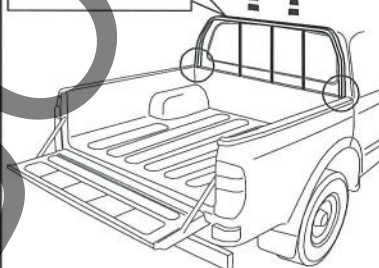
**Note 1:** If at any stage of installation you find your sportlid to be an unacceptable fit please contact the manufacturer before continuing.

**Note 2:** If required, use Under Rail Bed Liner only. **NOT FOR USE WITH OVER RAIL BED LINER!**

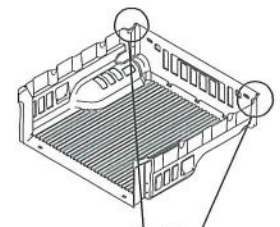
Tools Required:



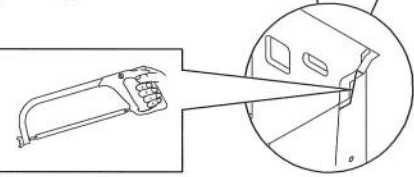
Remove ladder rack



**Note 2:** If required, use Proform Under Rail Bed Liner only. Not for use with Over Rail Bed Liner.



Follow guide lines to trim liner in front corners.

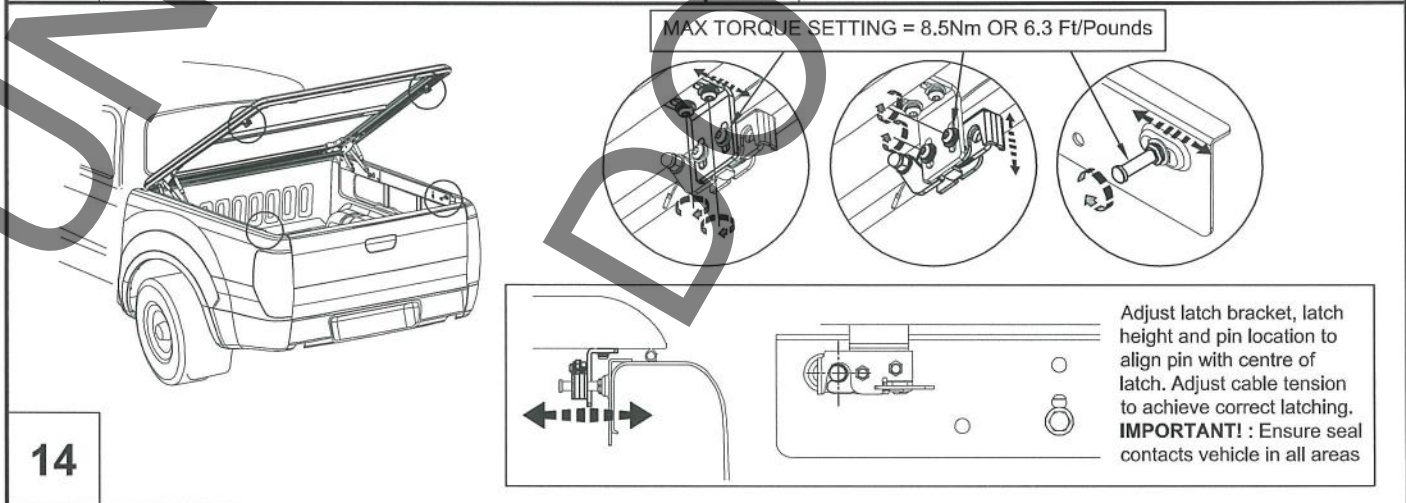
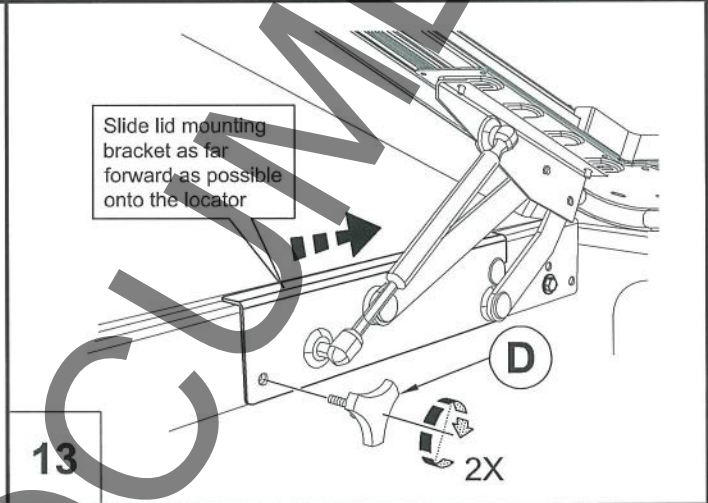
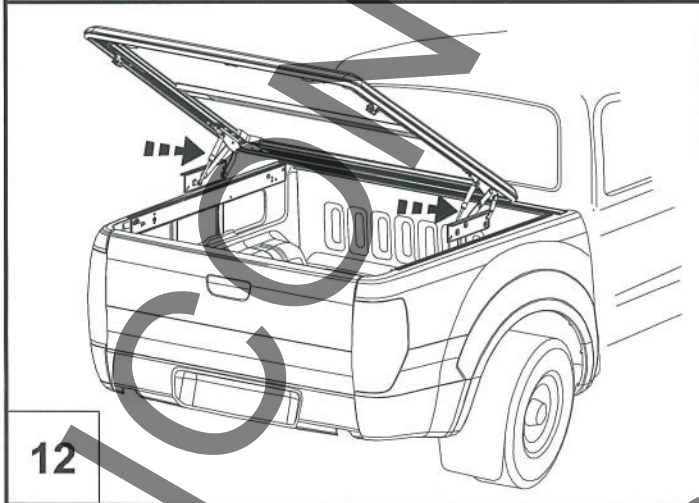
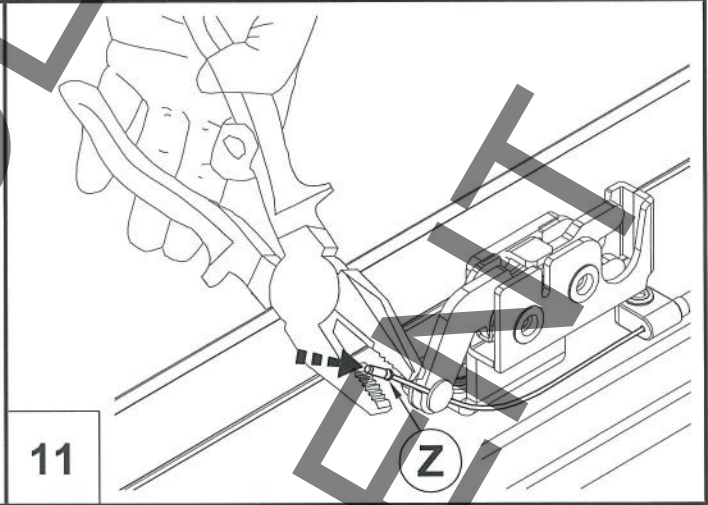
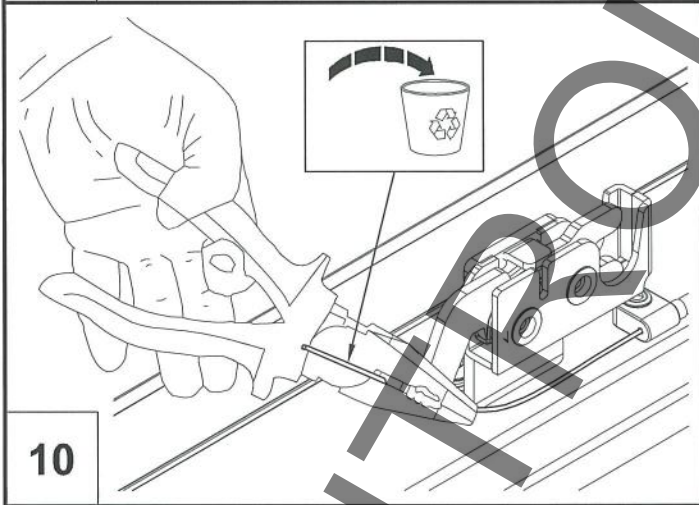
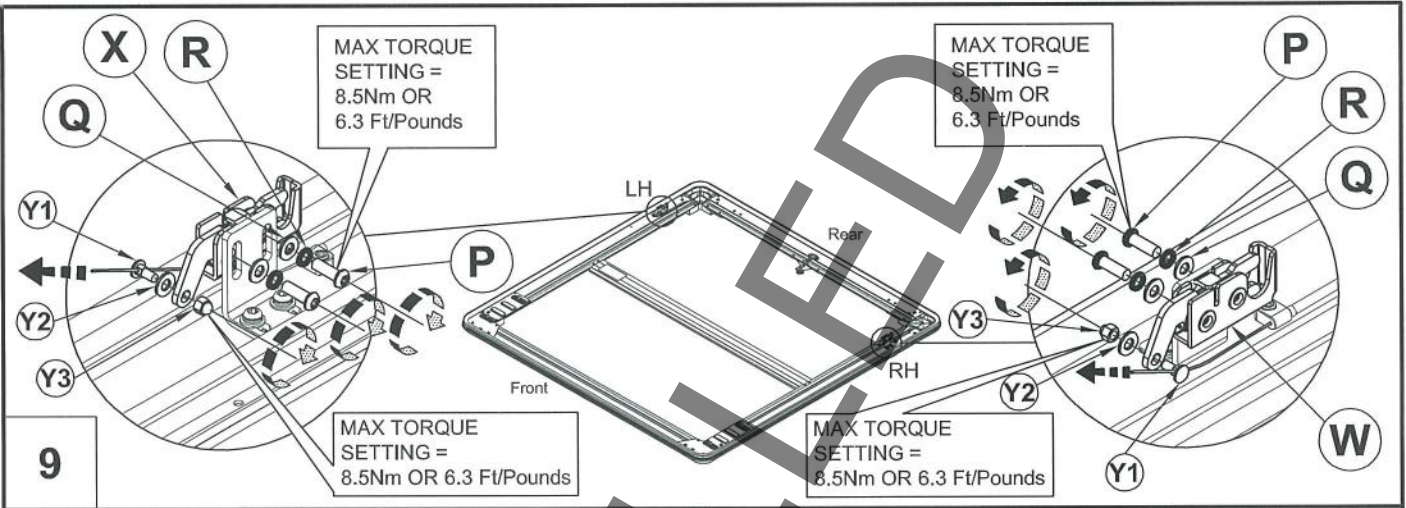


1

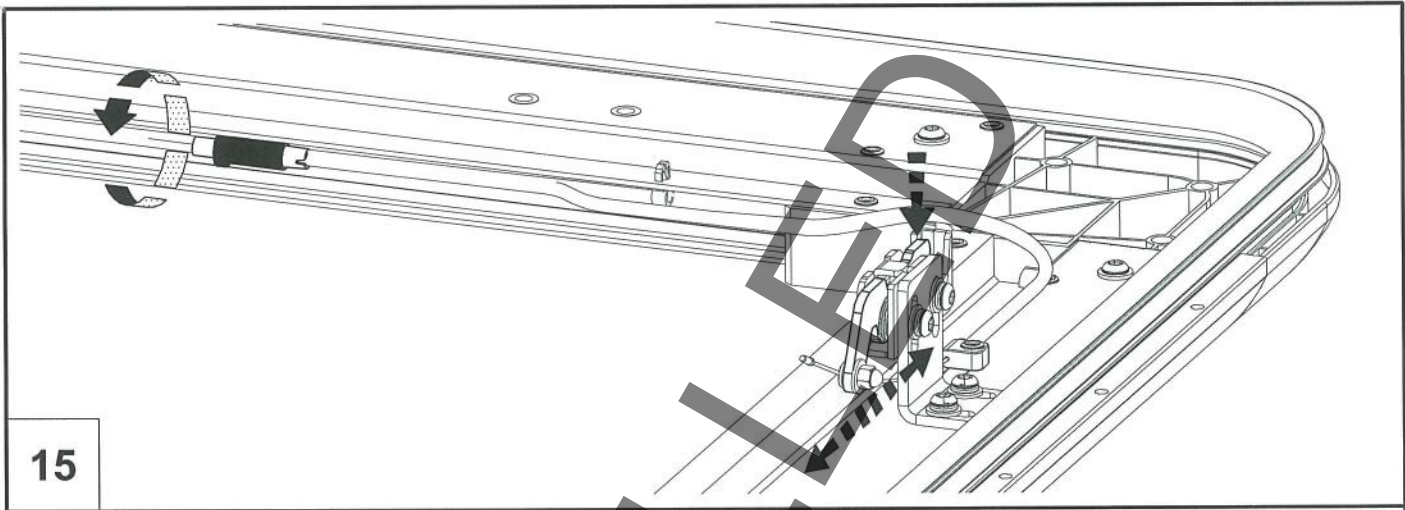
Fitting Kit Number K403	Product Upstone Lid	Revision 2	Date 11-04-2013	Page 1 of 6
----------------------------	------------------------	---------------	--------------------	----------------



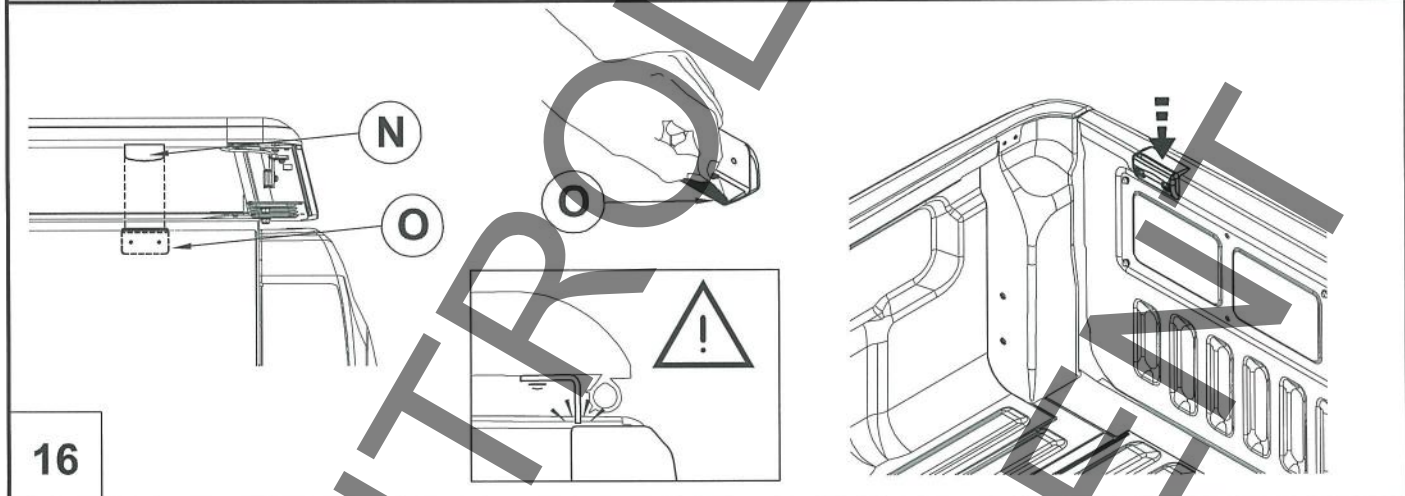




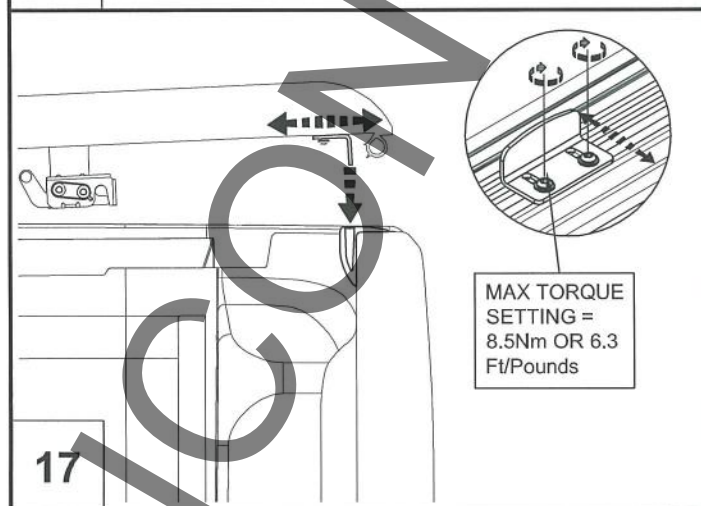
Adjust latch bracket, latch height and pin location to align pin with centre of latch. Adjust cable tension to achieve correct latching. **IMPORTANT!** : Ensure seal contacts vehicle in all areas



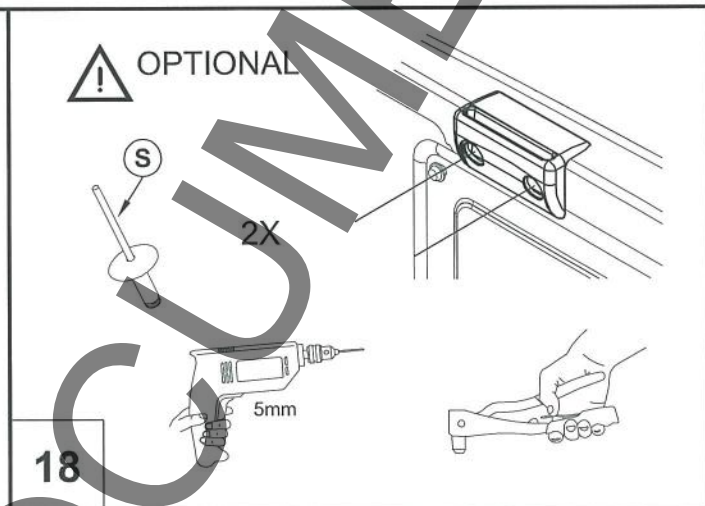
15



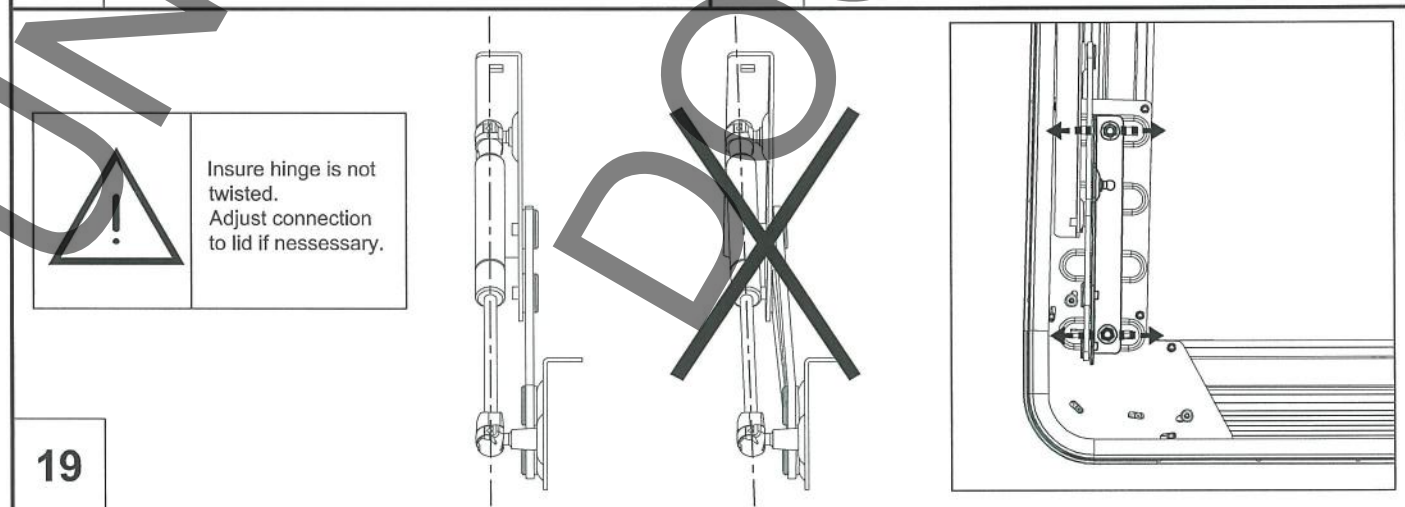
16



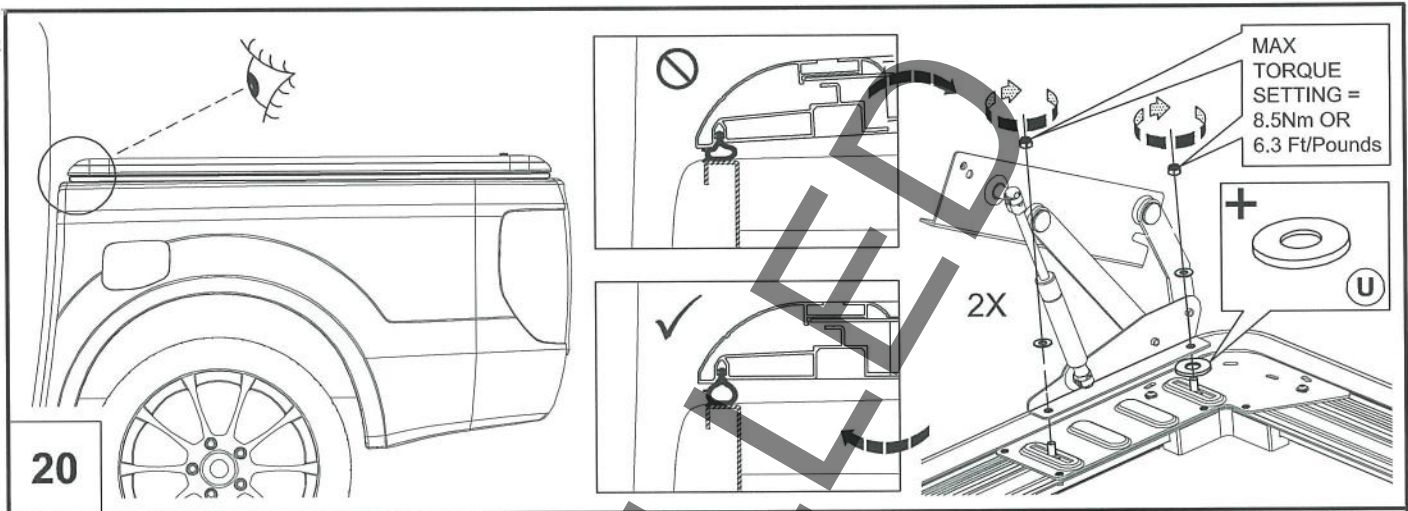
17



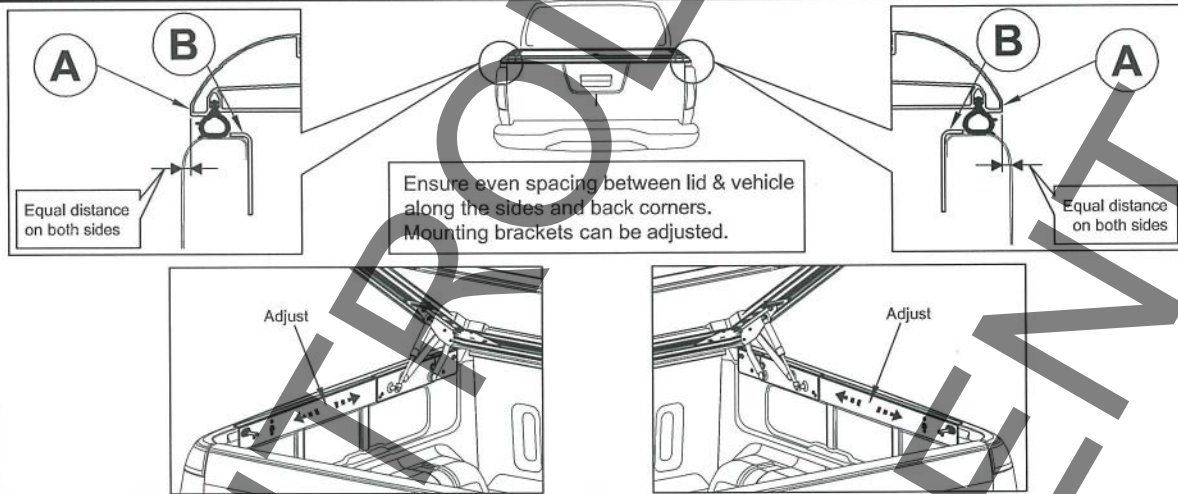
18



19



20



21

After installation carefully and thoroughly clean all debris from the inside of the cargo box.  
**Retain these instructions for future reference**



## CAUTION!

- NEVER allow people or animals under the closed cover
- Do not place unsealed solvents or chemicals under the cover
- Do not stand or place heavy objects on the cover
- Do not open lid when under load.
- Close the cover before operating the vehicle
- Do not allow oil, solvents or chemicals to contact the cover
- Clean only with a mild detergent and water solution

Fitting Kit Number	Product	Revision	Date	Page
K403	Upstone Lid	2	11-04-2013	6 of 6