

Mountain Top® Style

Installation manual

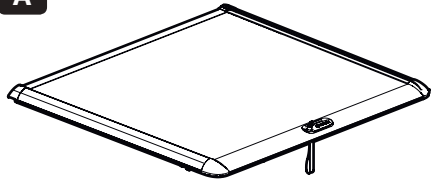


DOWNLOAD PDF



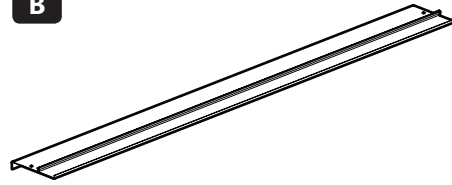
Parts

A



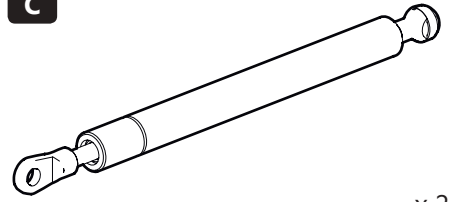
x 1

B



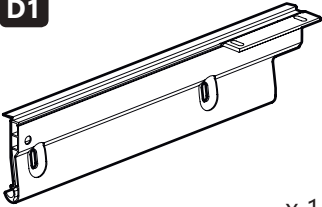
x 1

C



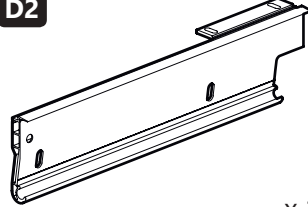
x 2

D1



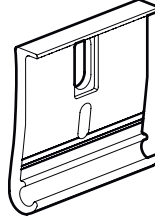
x 1

D2



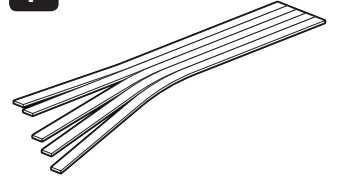
x 1

E



x 2

F

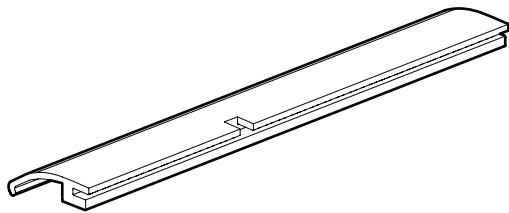


5 x 1m



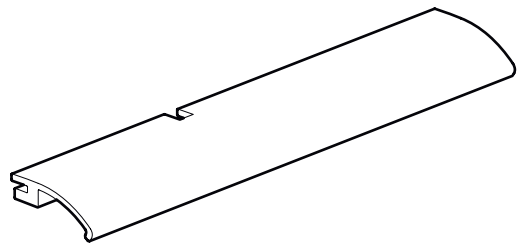
Kit

G1

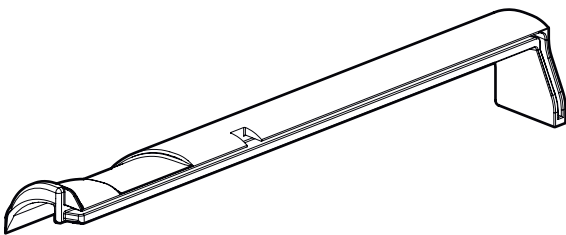


x 1

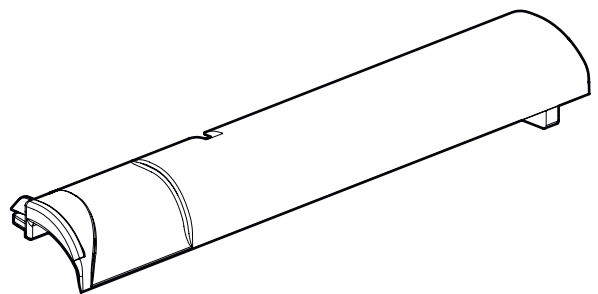
G2



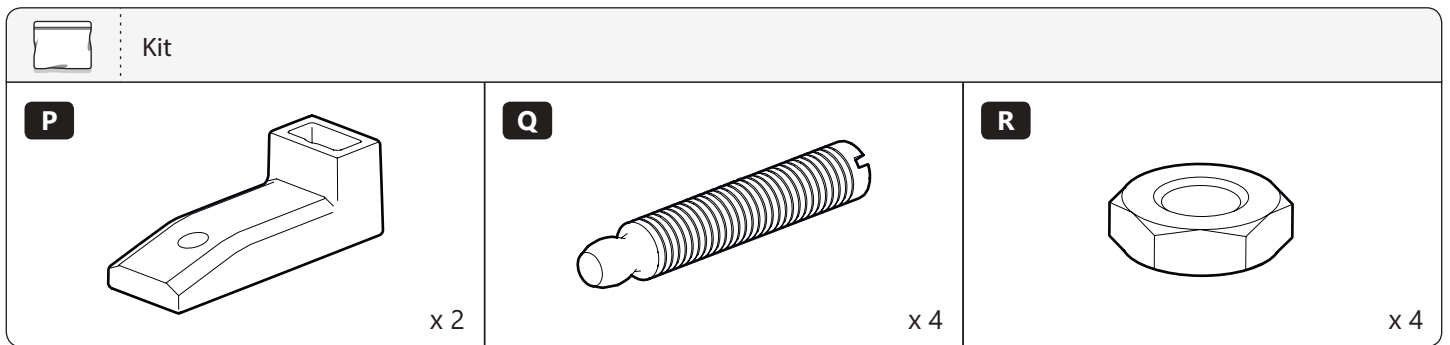
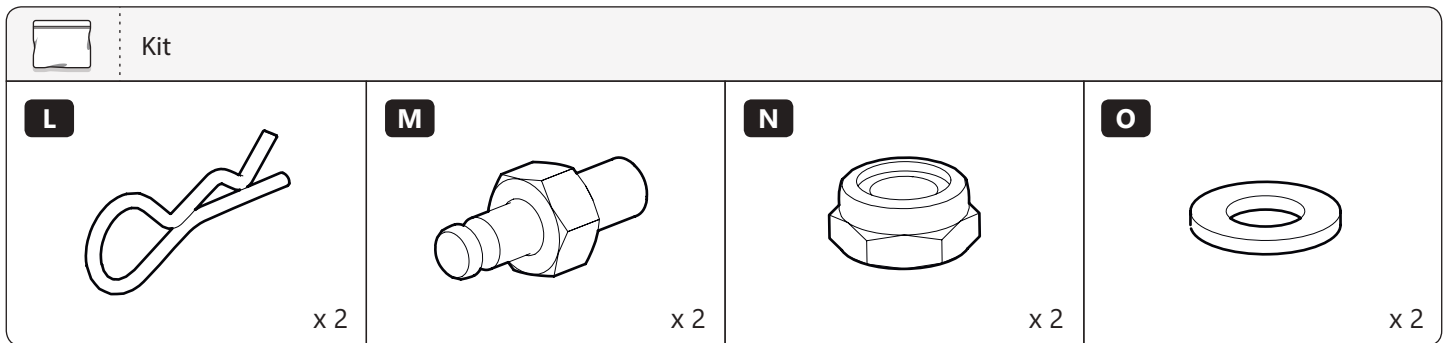
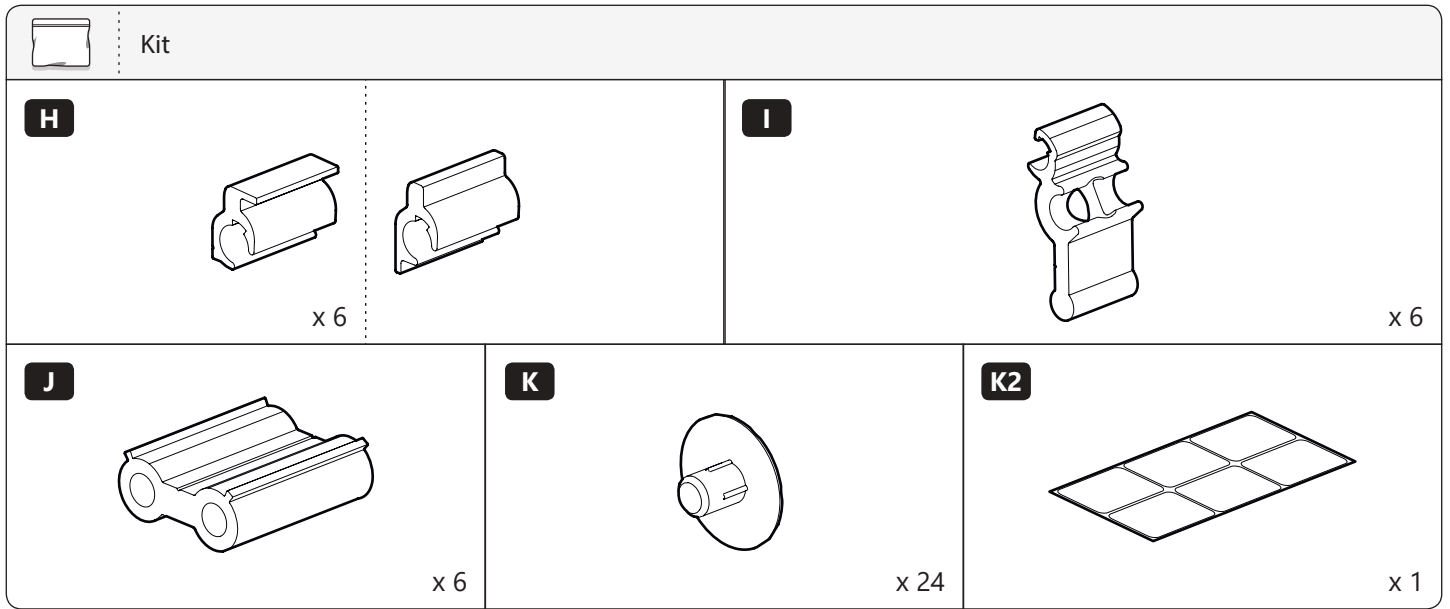
x 1

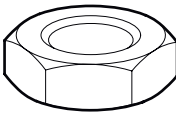
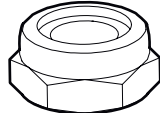
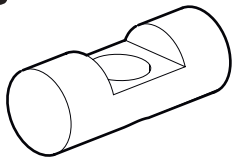


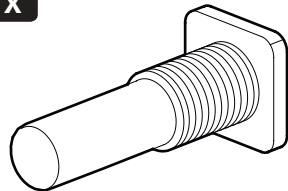
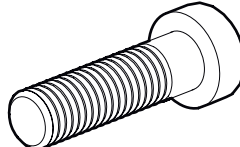
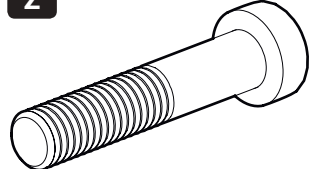


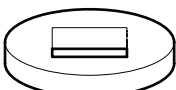
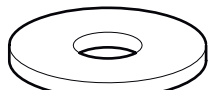
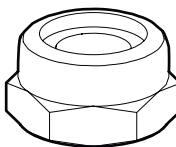
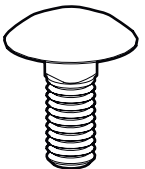
x 1


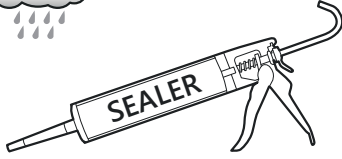
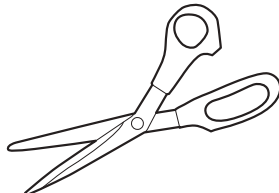

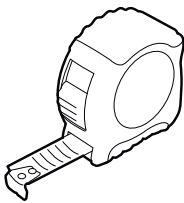
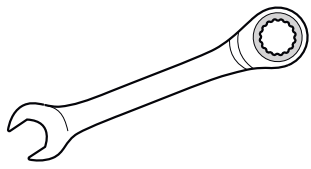

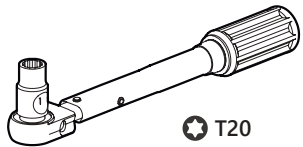





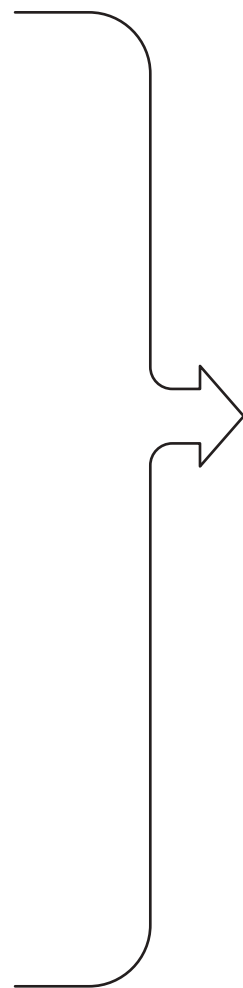
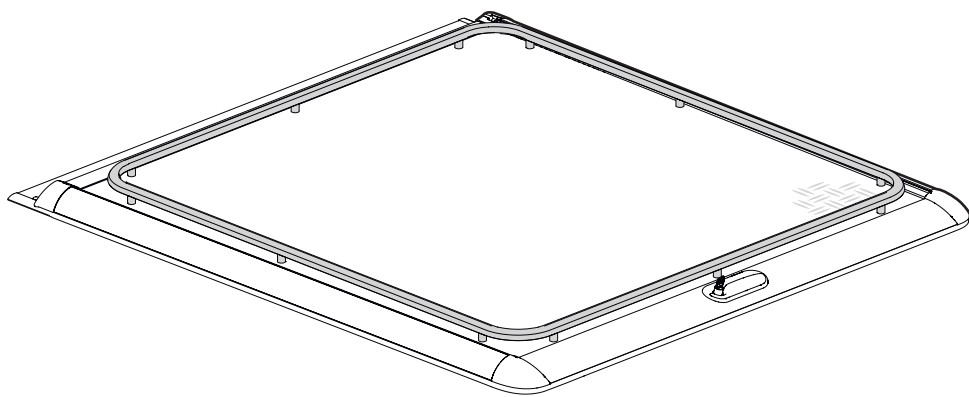
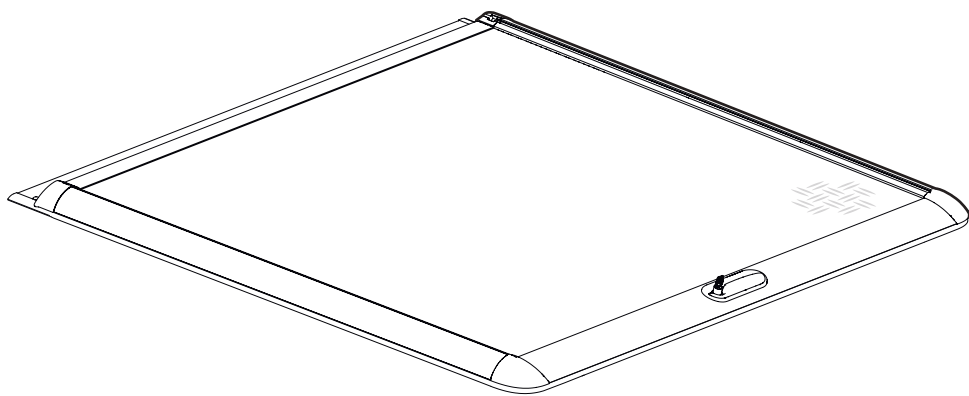
x 1

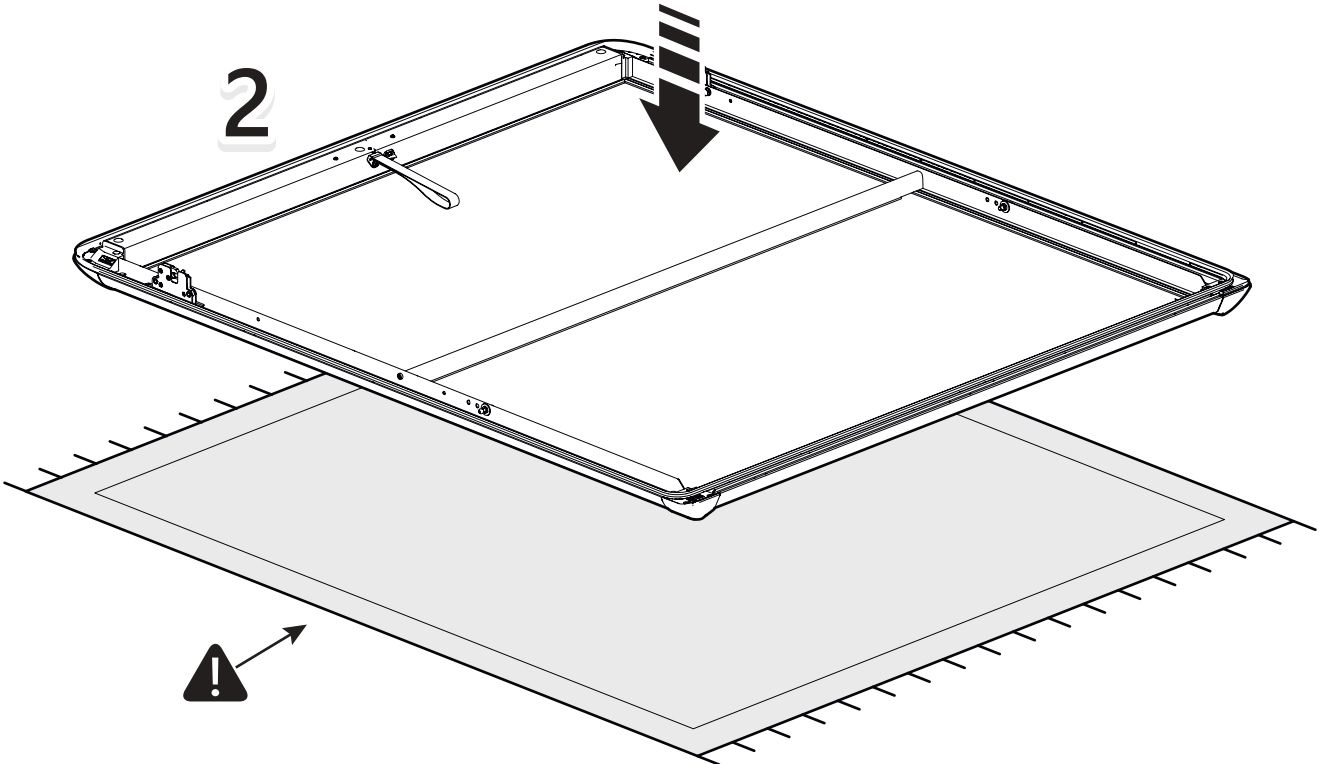
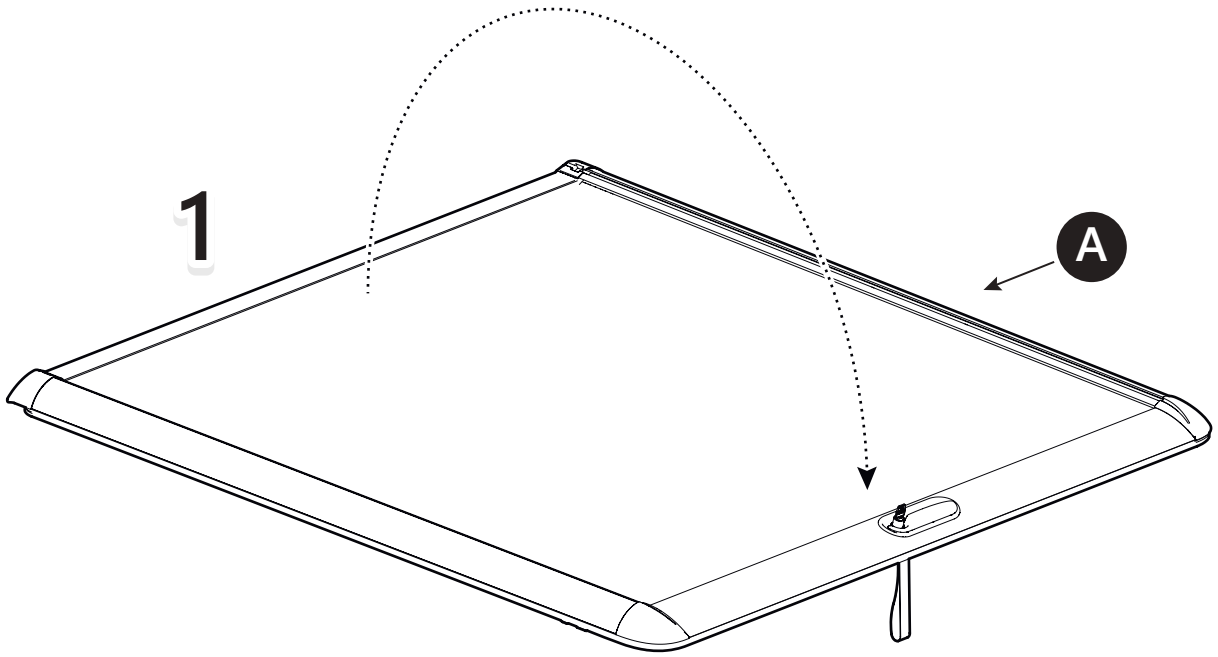


Kit			
S  x 2	T  x 6	U  x 6	V  x 6
W  x 2	X  x 2	Y  x 6 TOYOTA x 4	Z  TOYOTA x 2

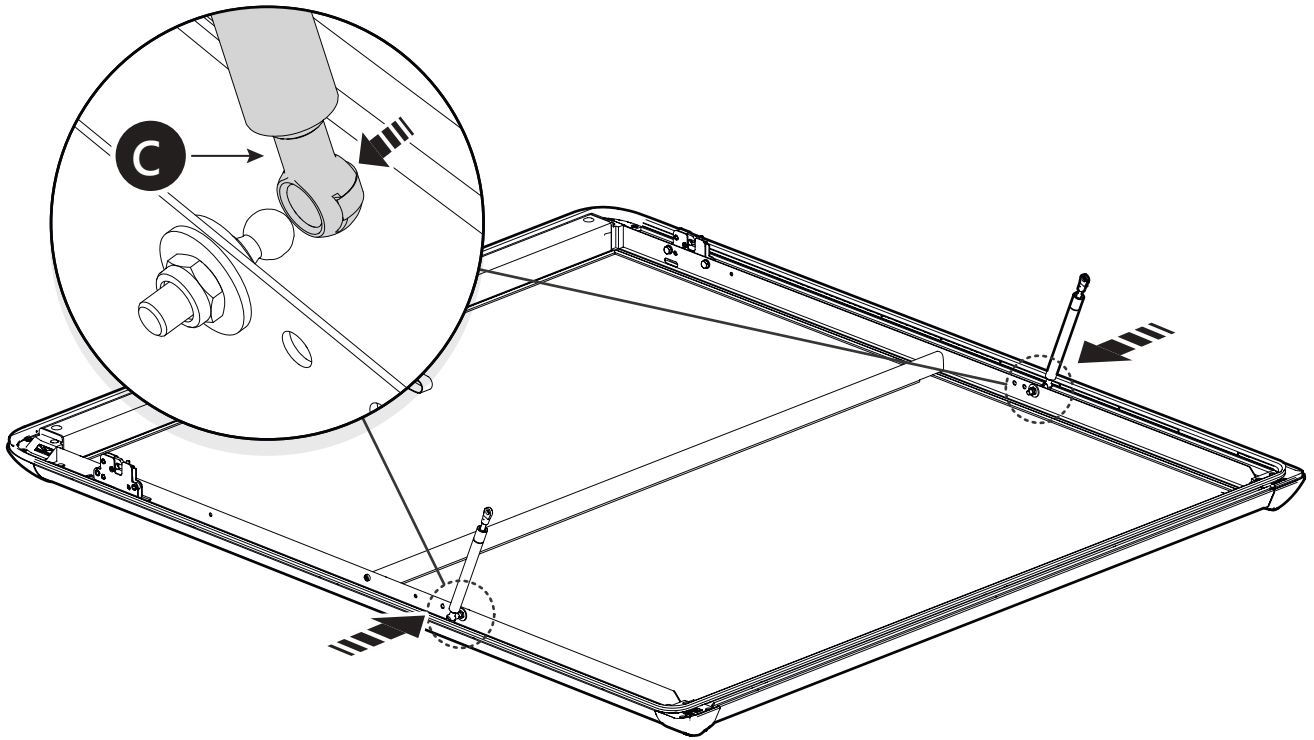
Kit			
A2  x 4	B2  x 4	C2  x 4	D2  x 4

Tools and materials needed		
 		
	  10, 13, 19mm	1-25 Nm  <ul style="list-style-type: none">  T20  10, 13, 19mm  5mm



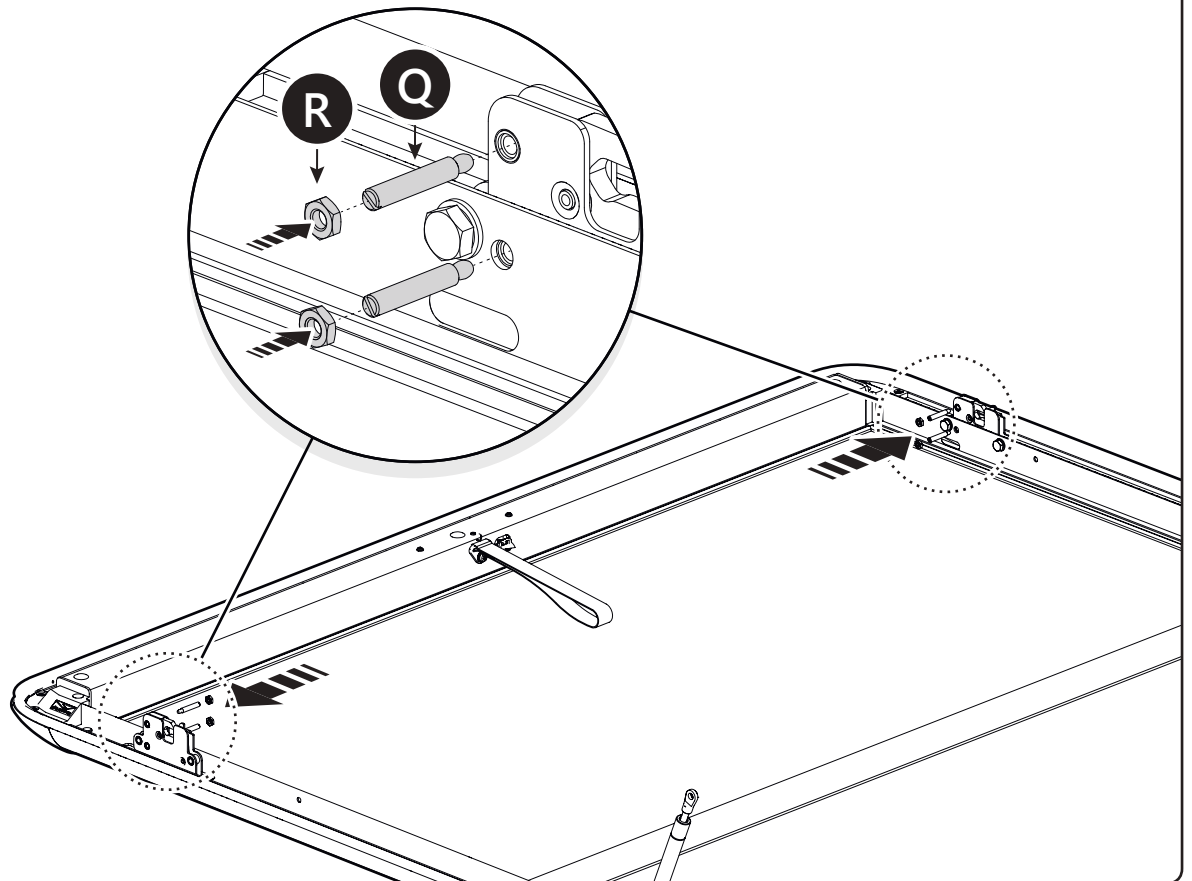


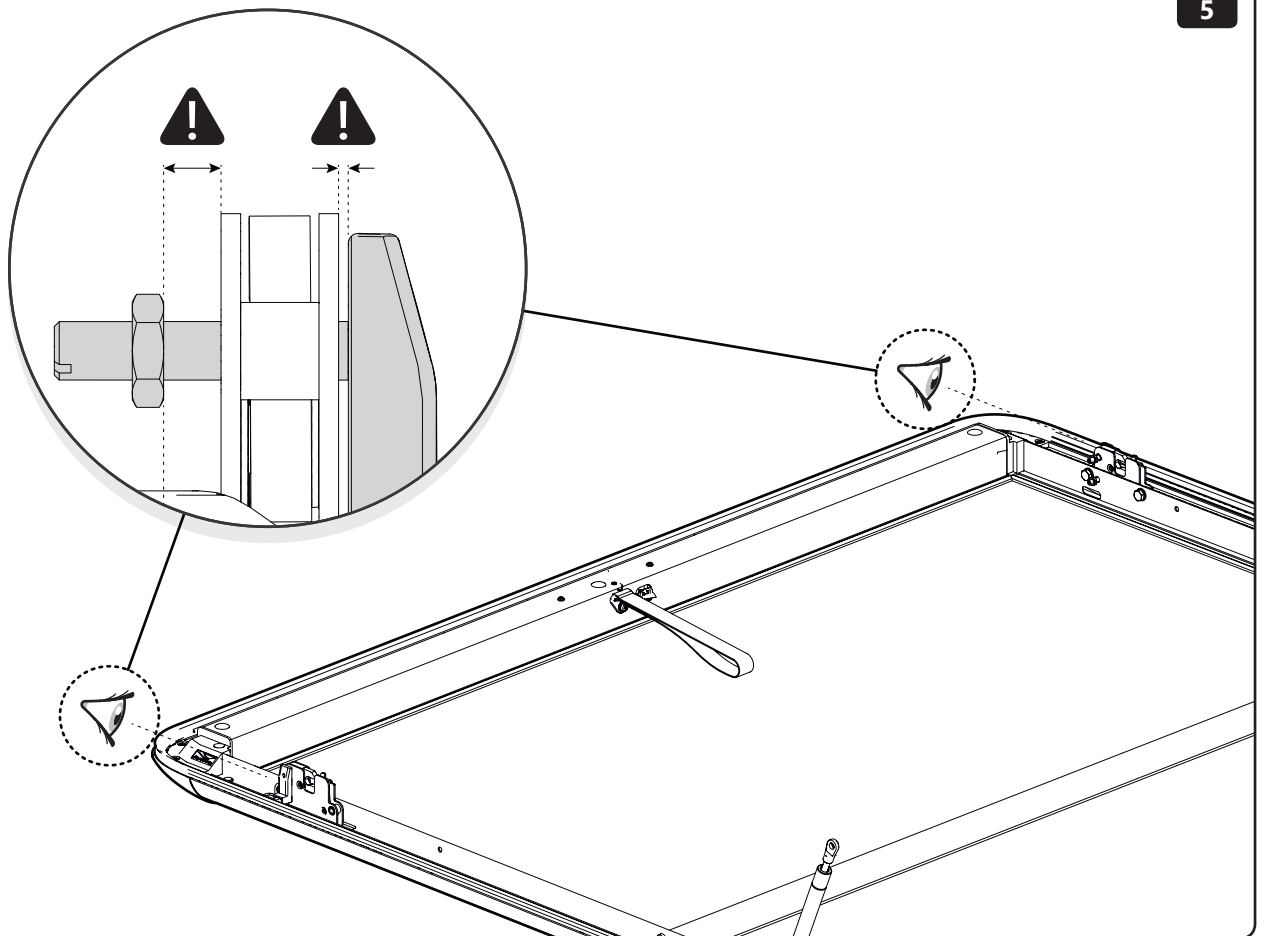
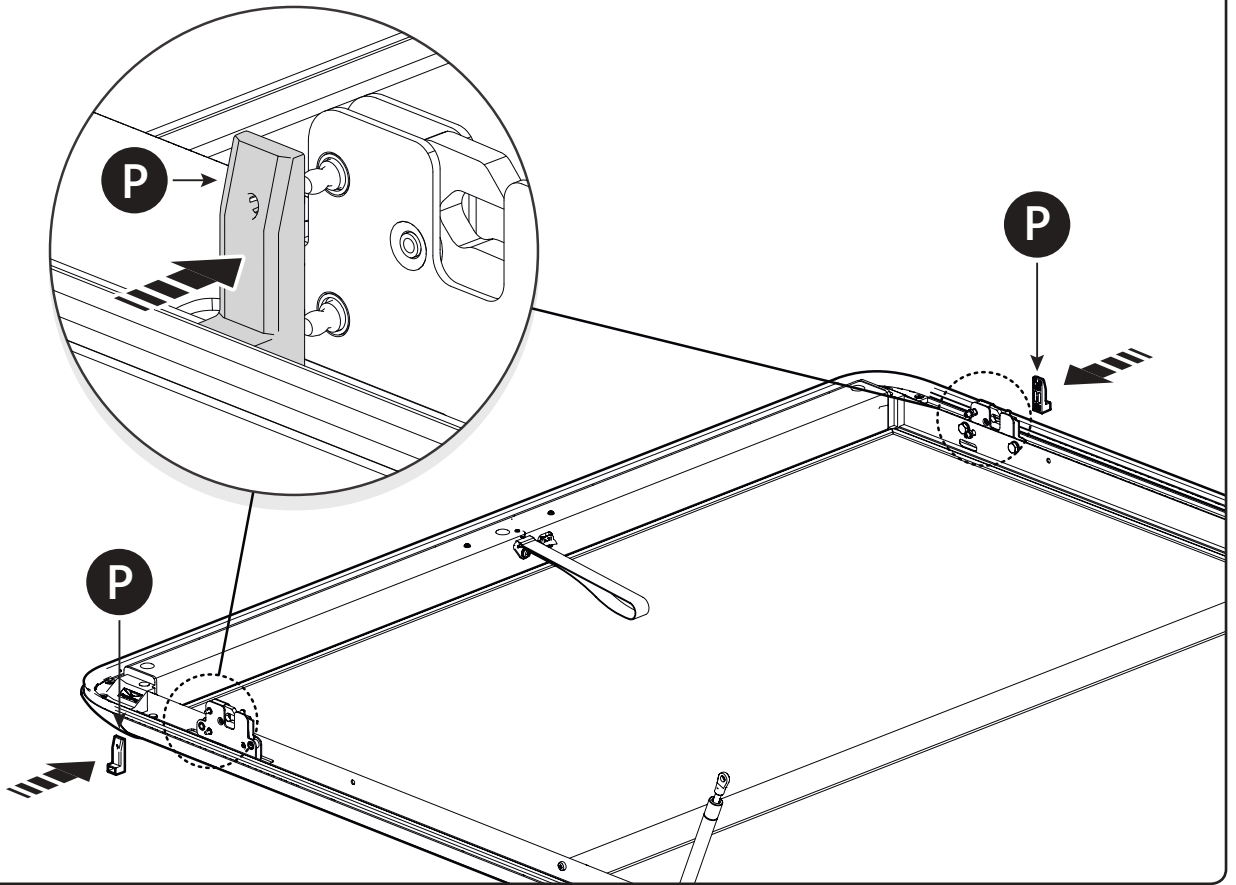
2

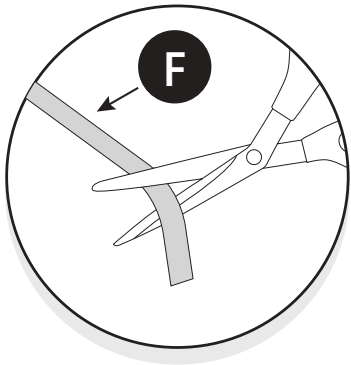


3

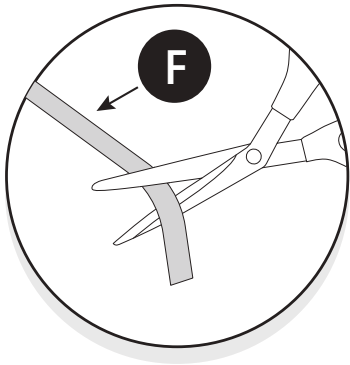
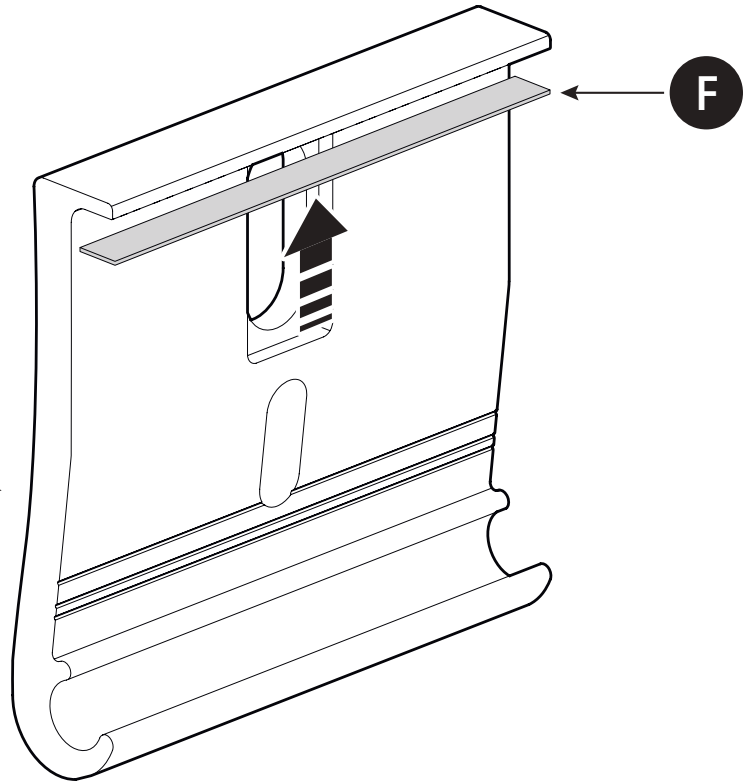
10mm





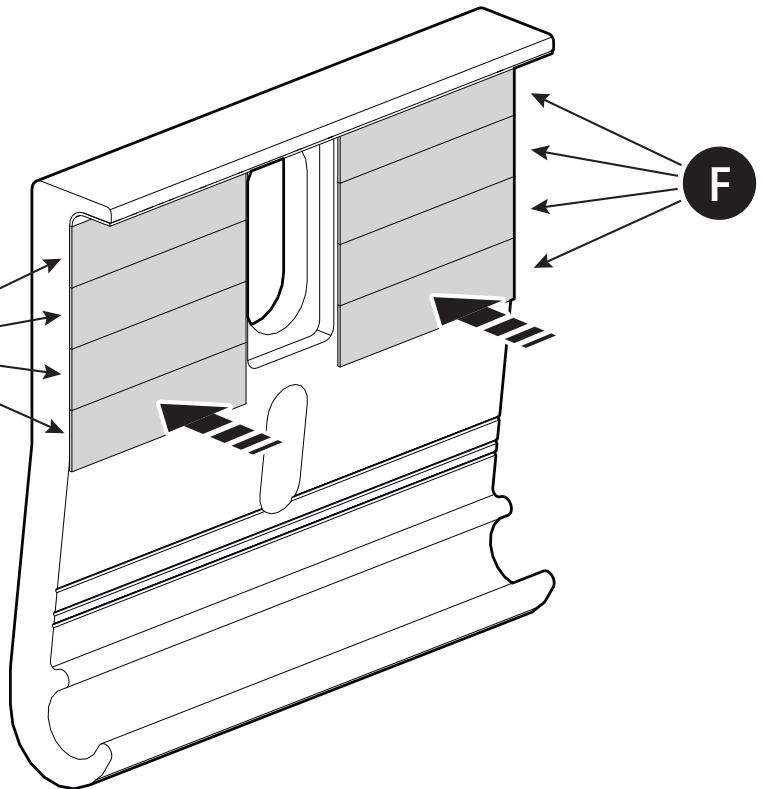


E →

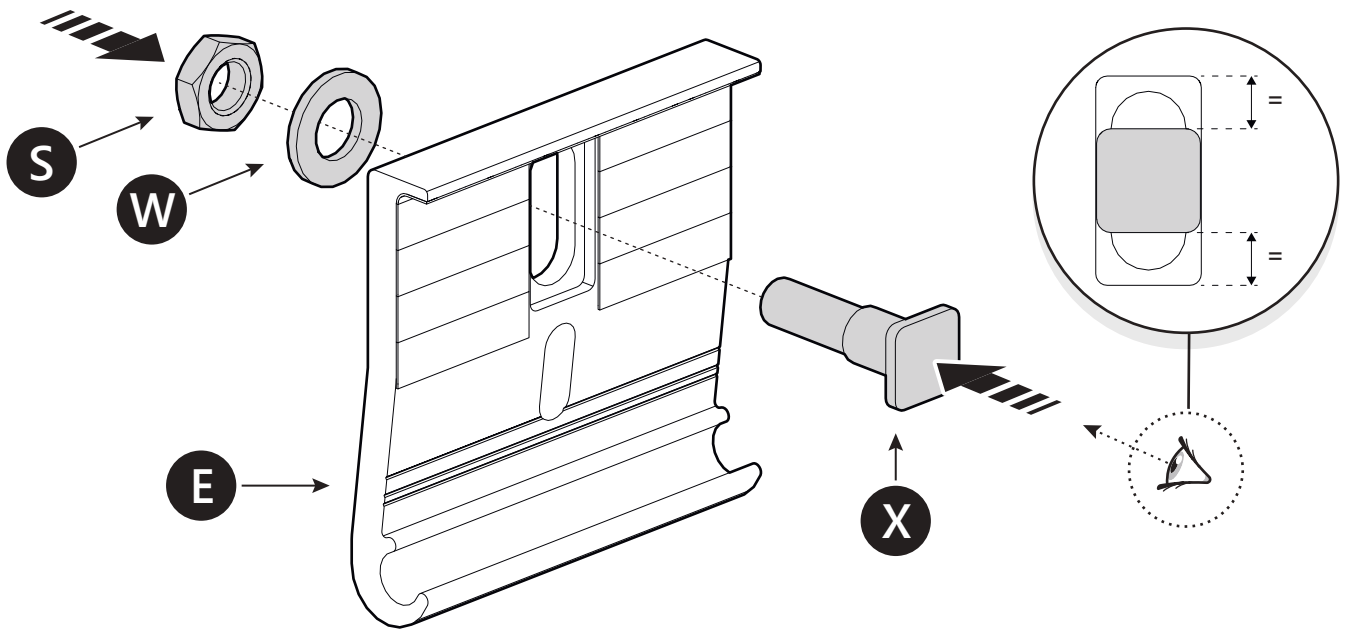


F

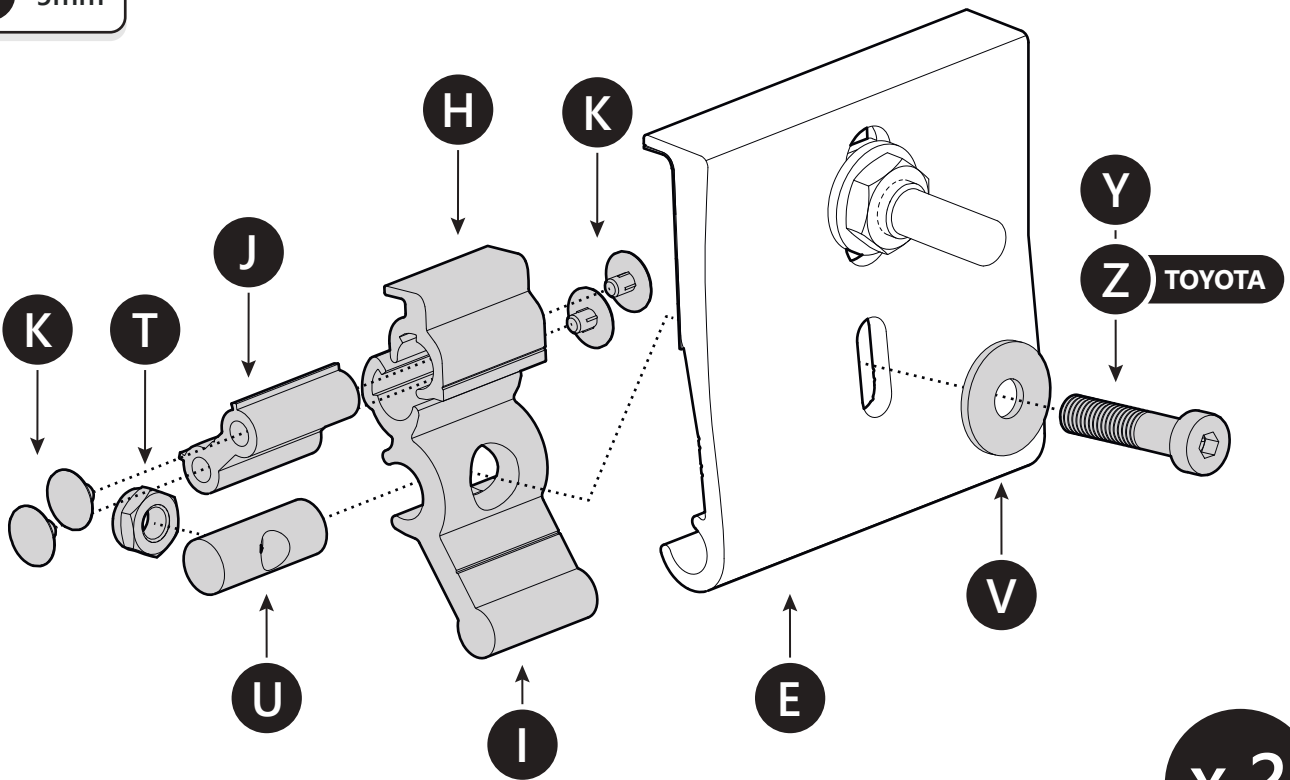
E →



19mm

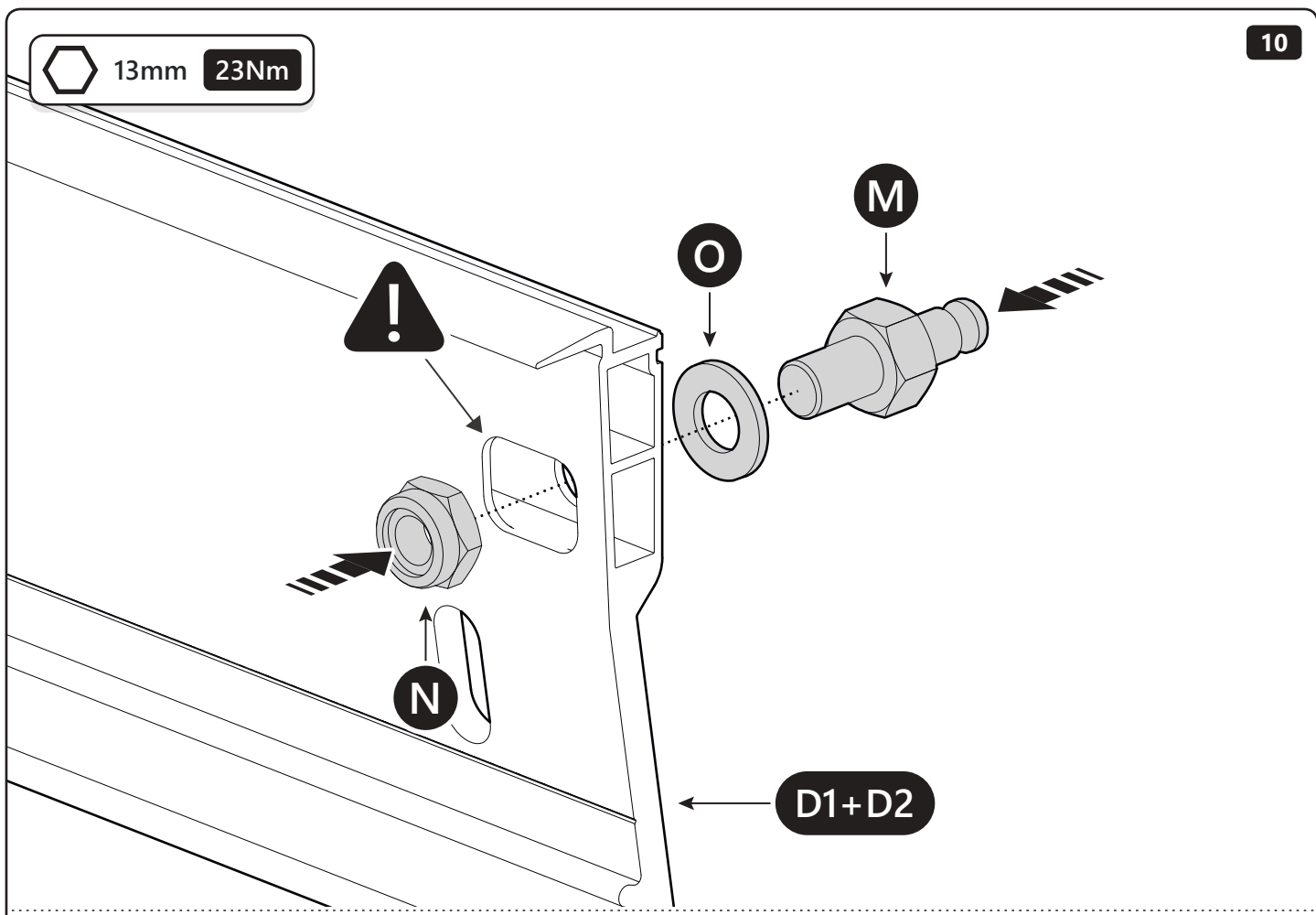


5mm



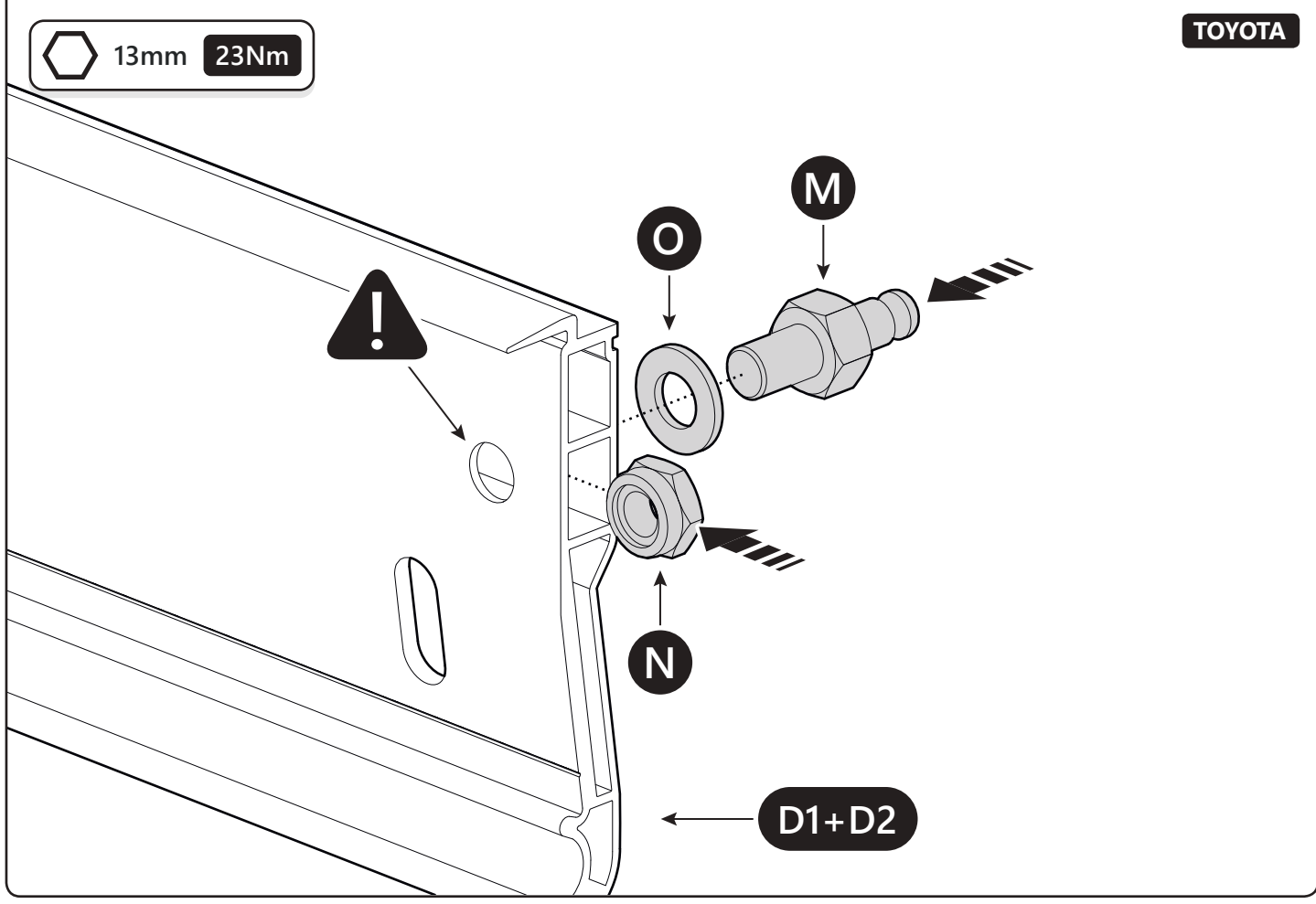
x 2

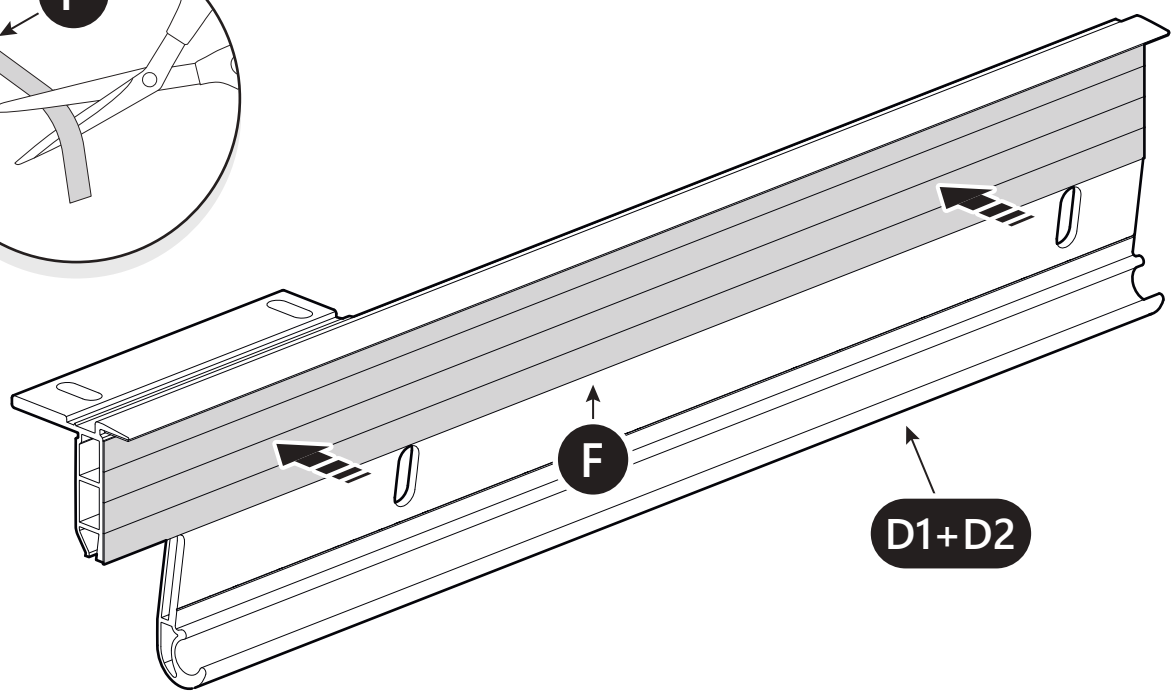
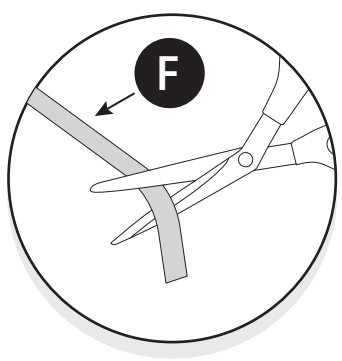
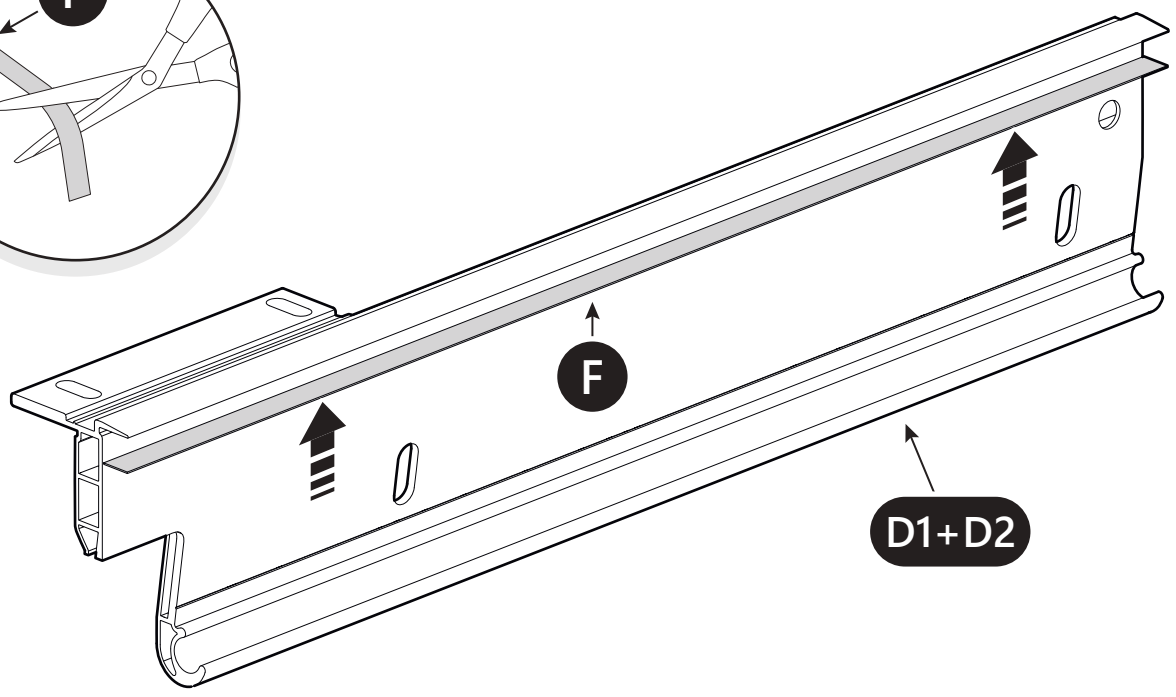
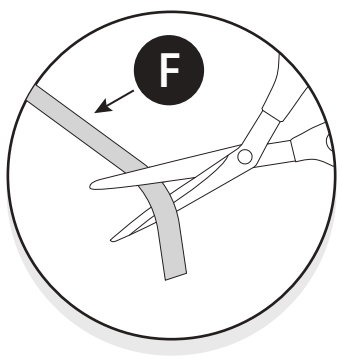
13mm 23Nm



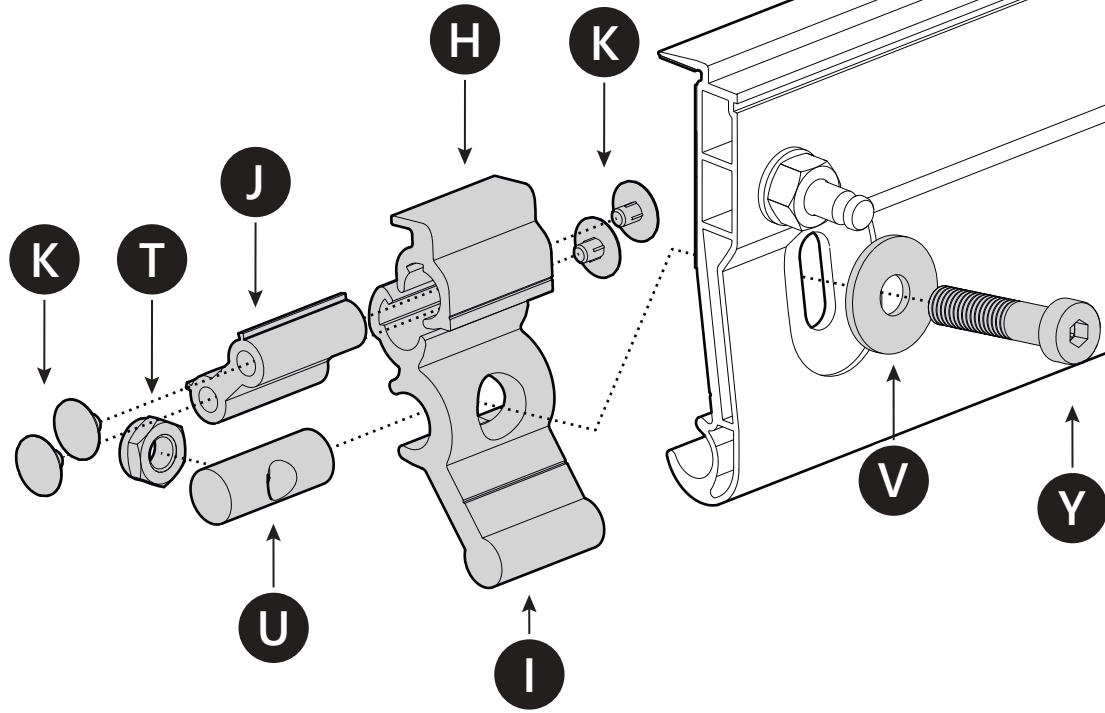
TOYOTA

13mm 23Nm

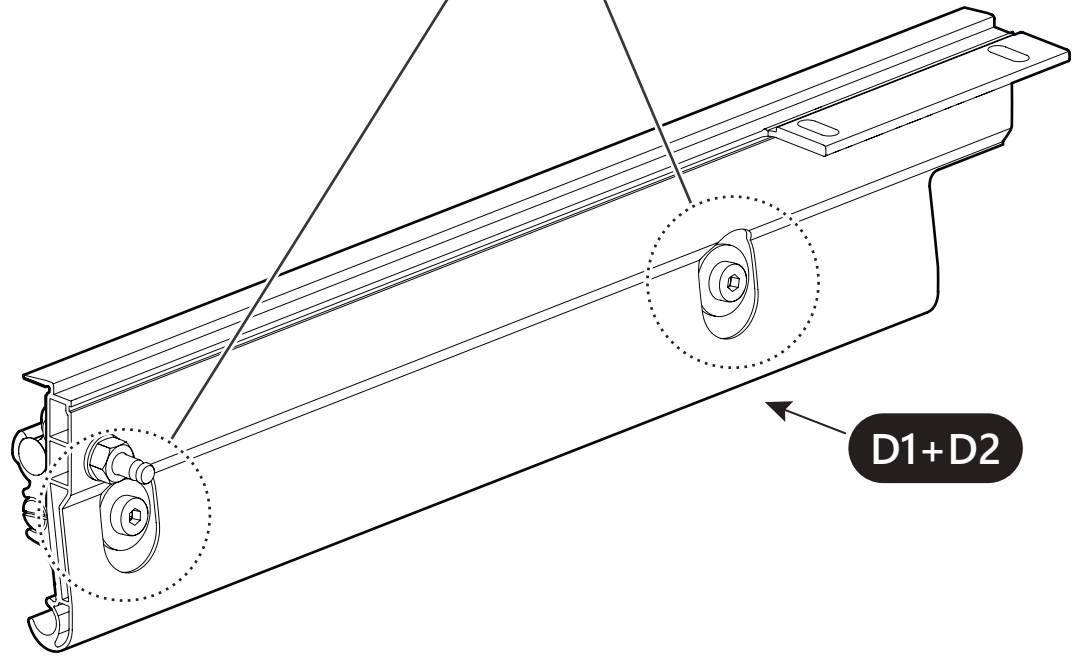


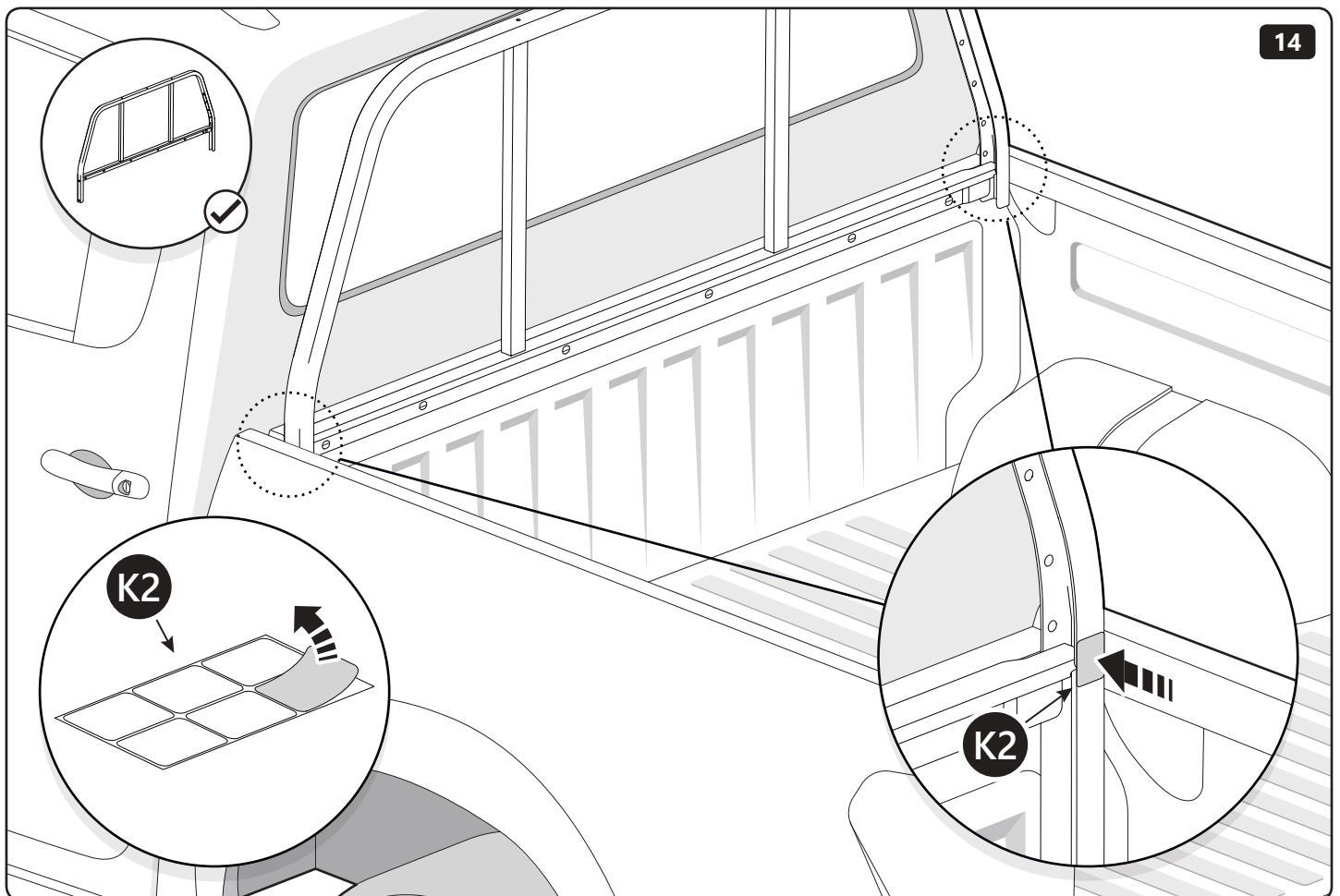
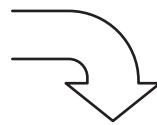
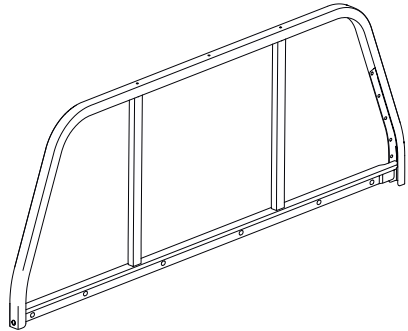
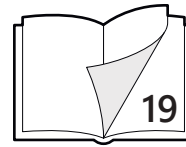
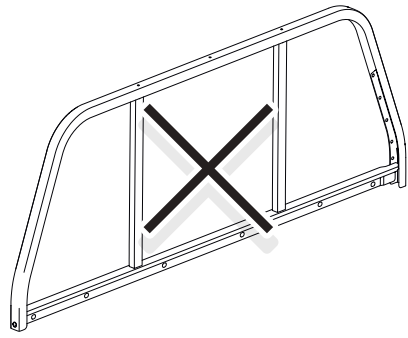


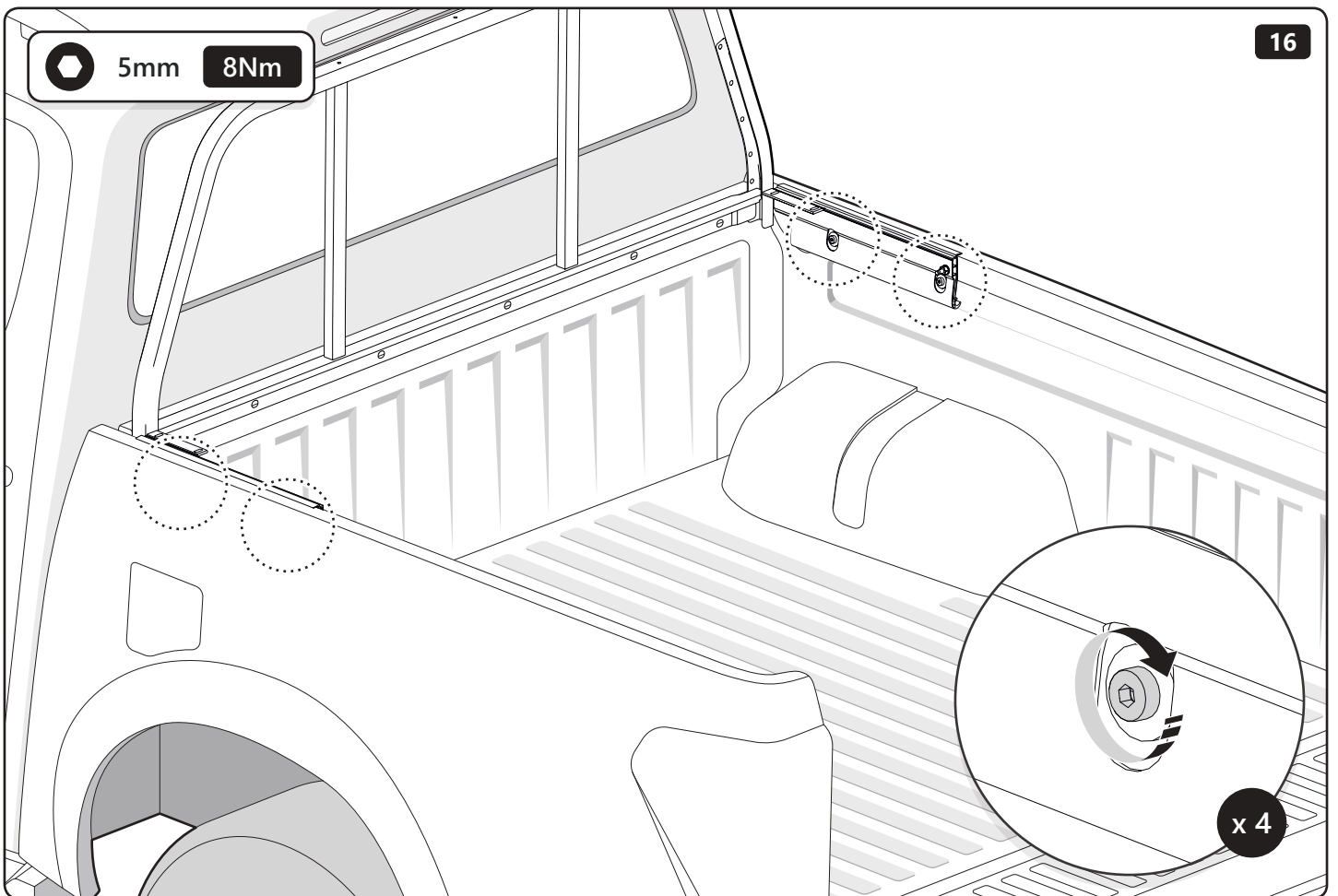
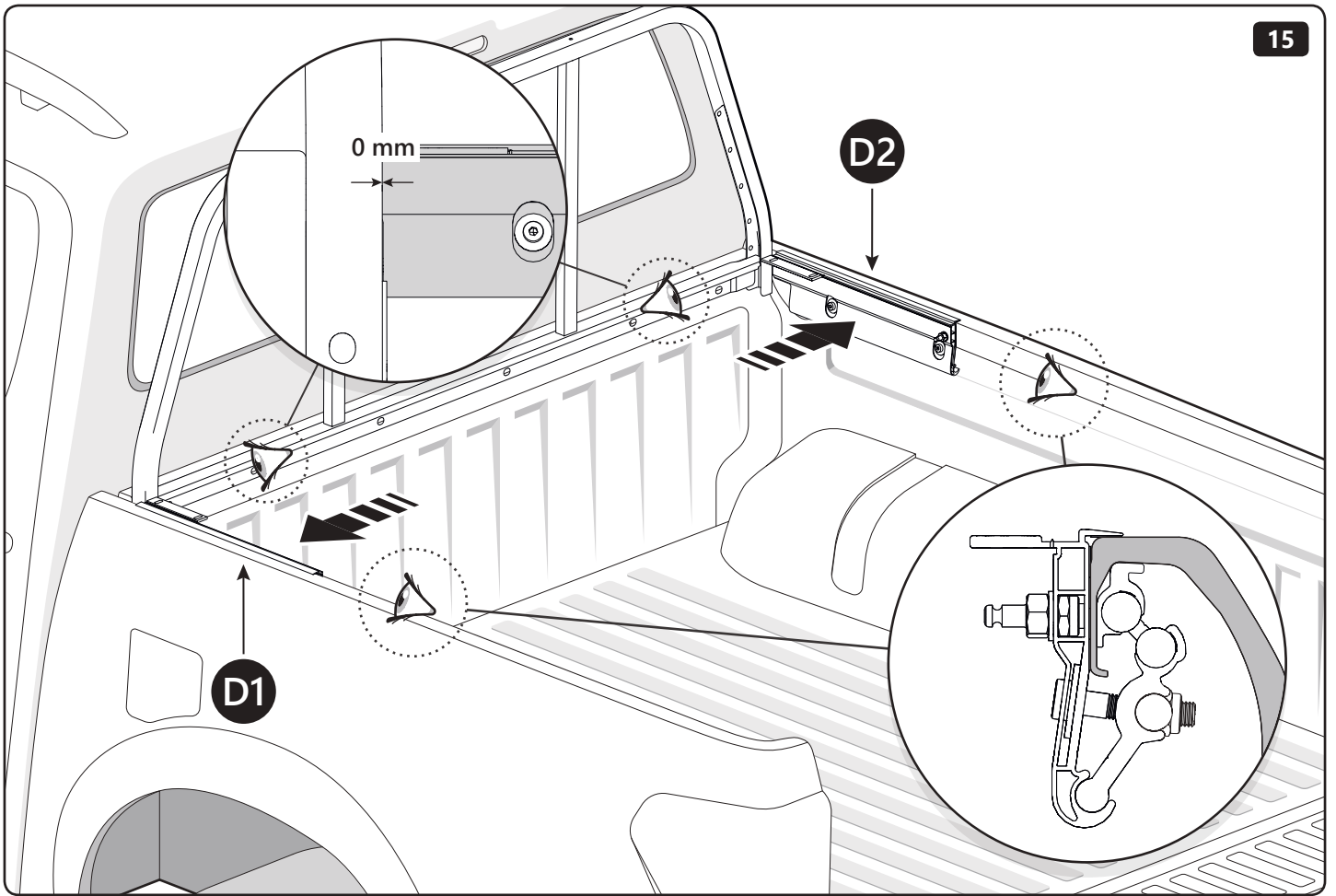
5mm

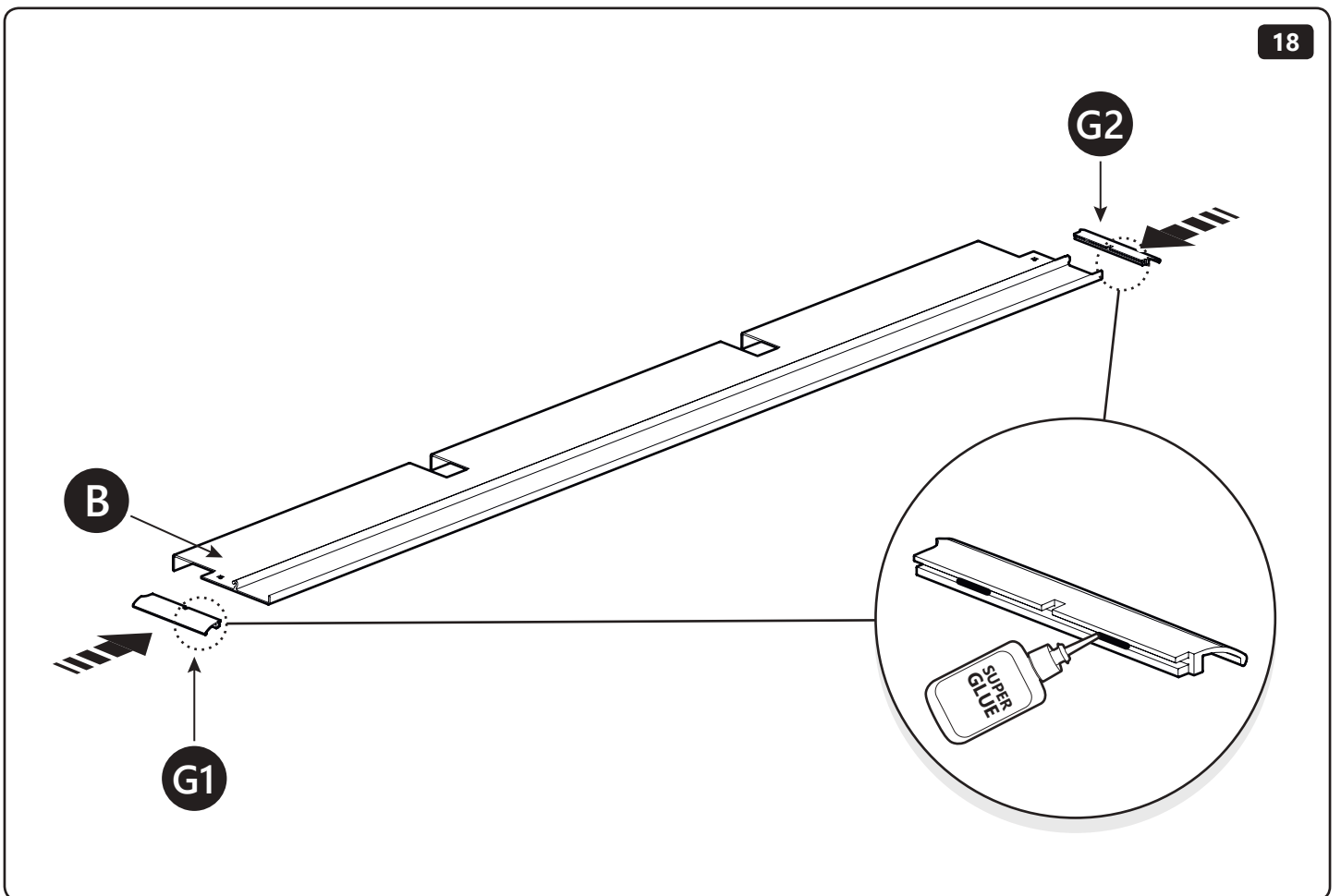
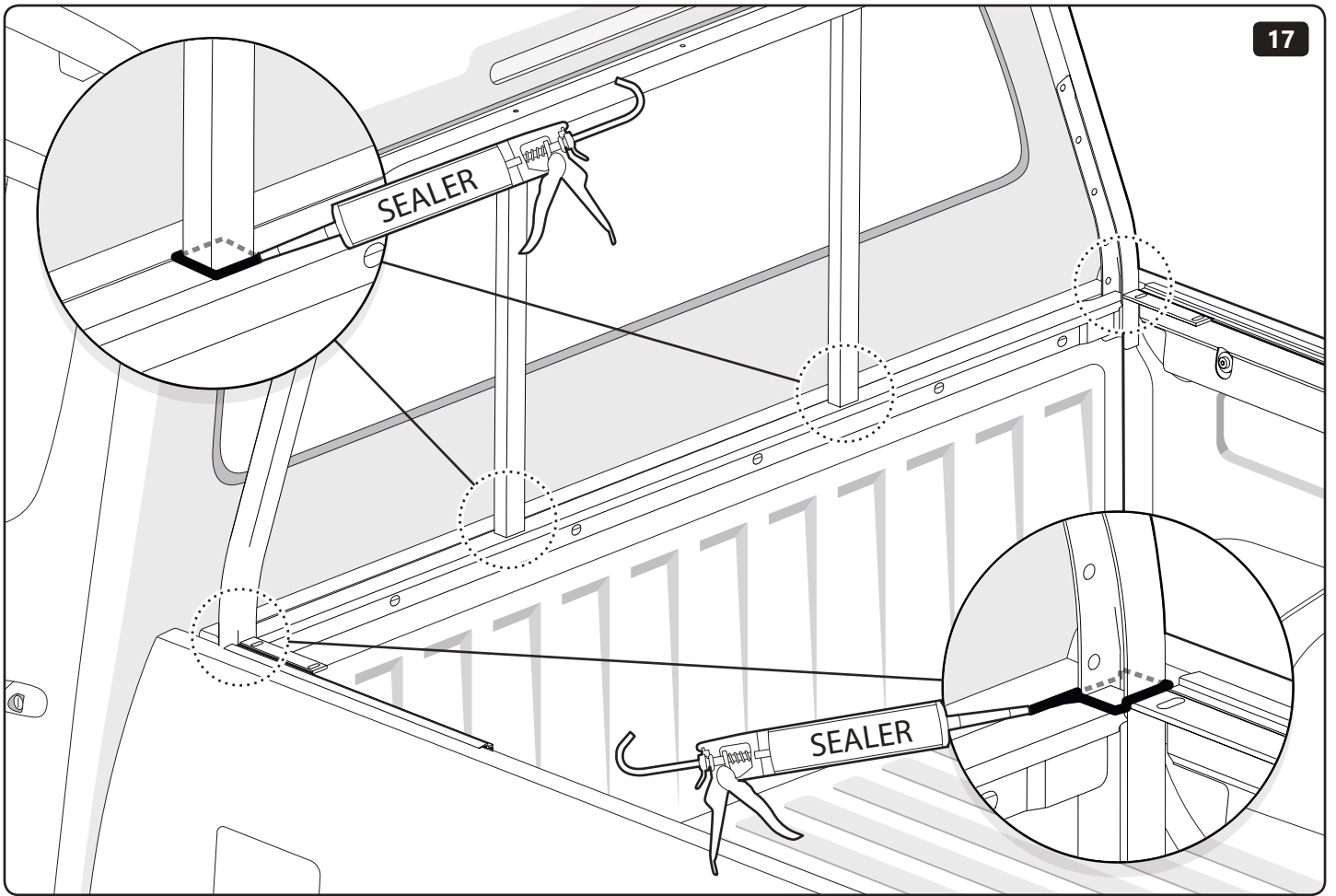


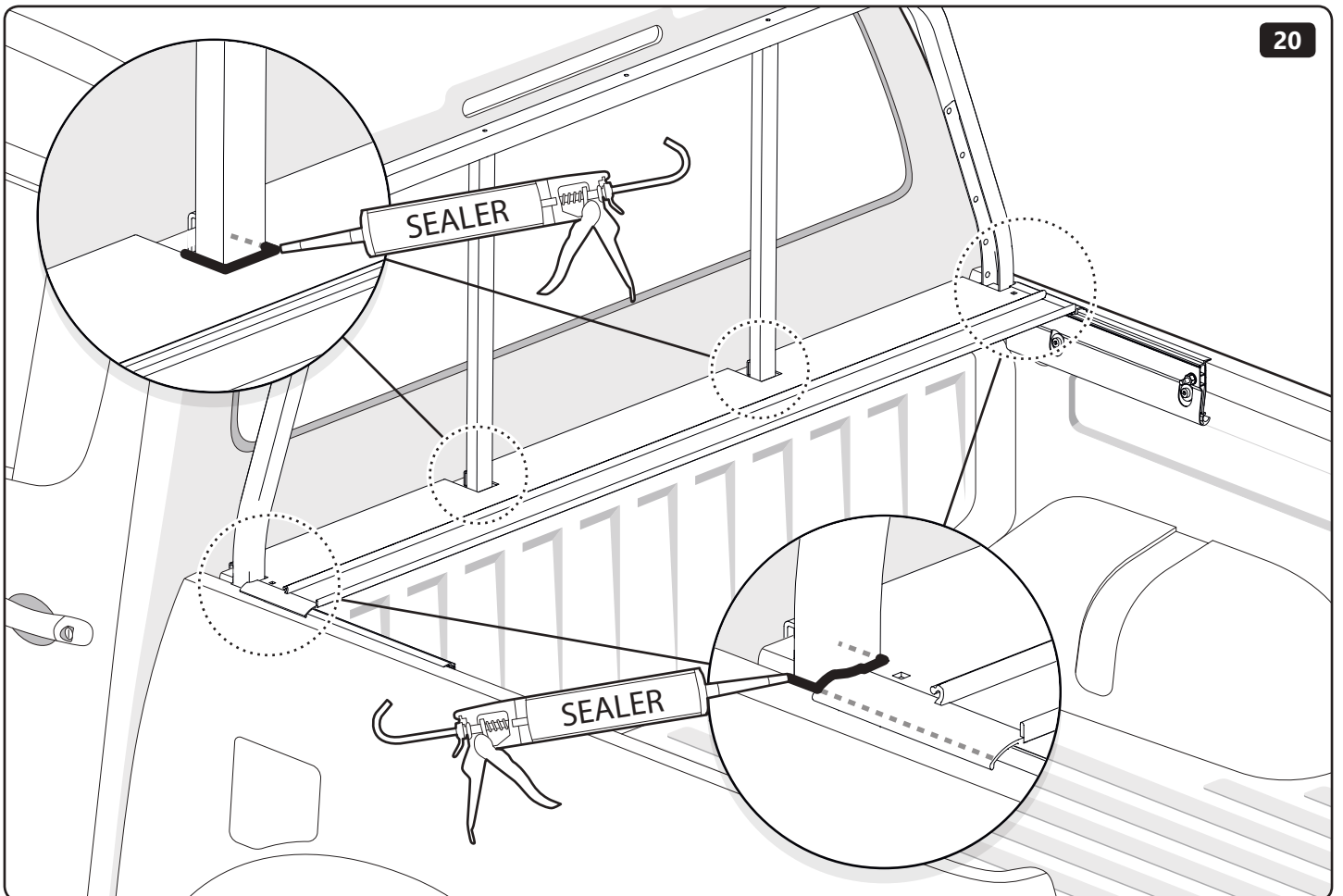
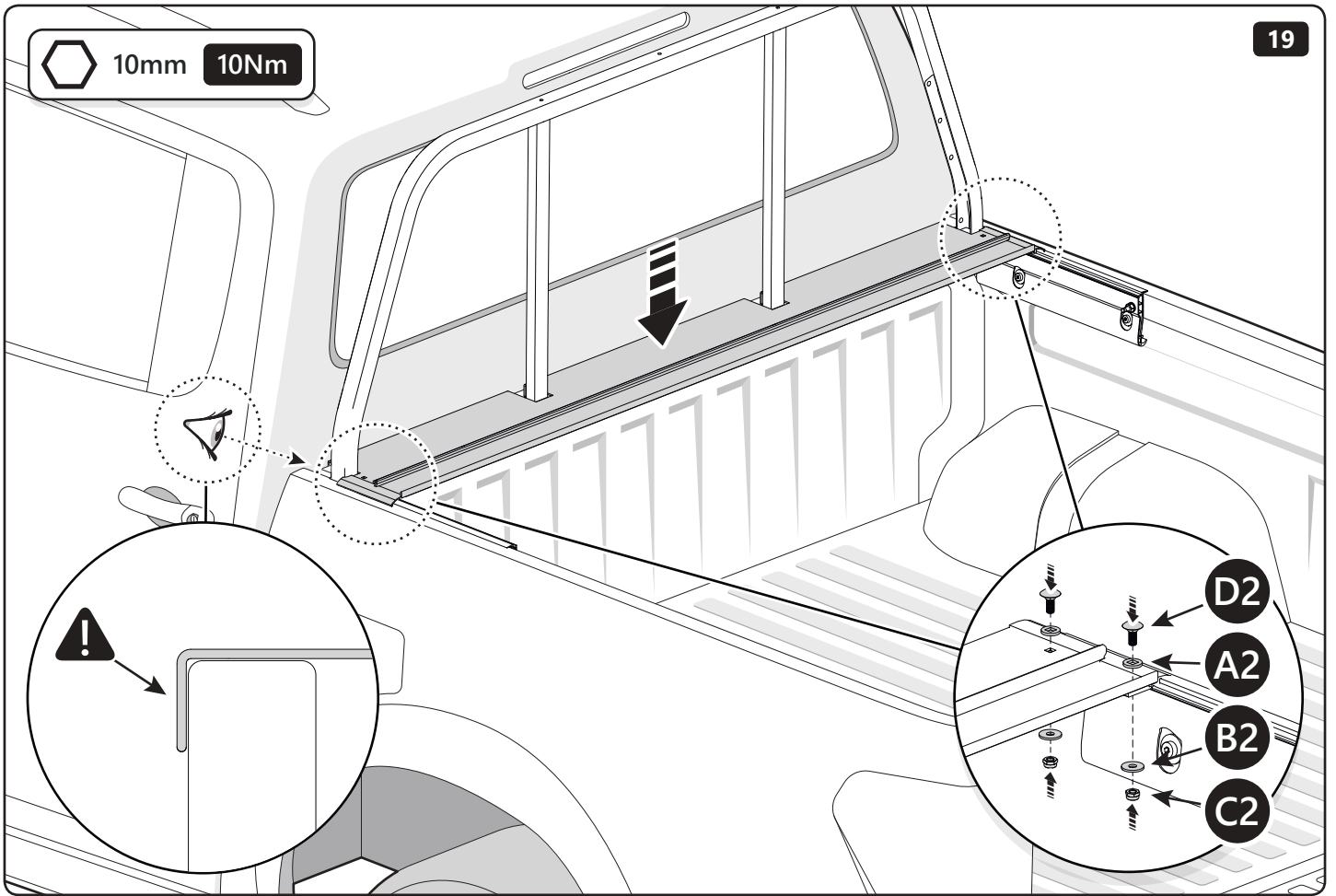
x 2

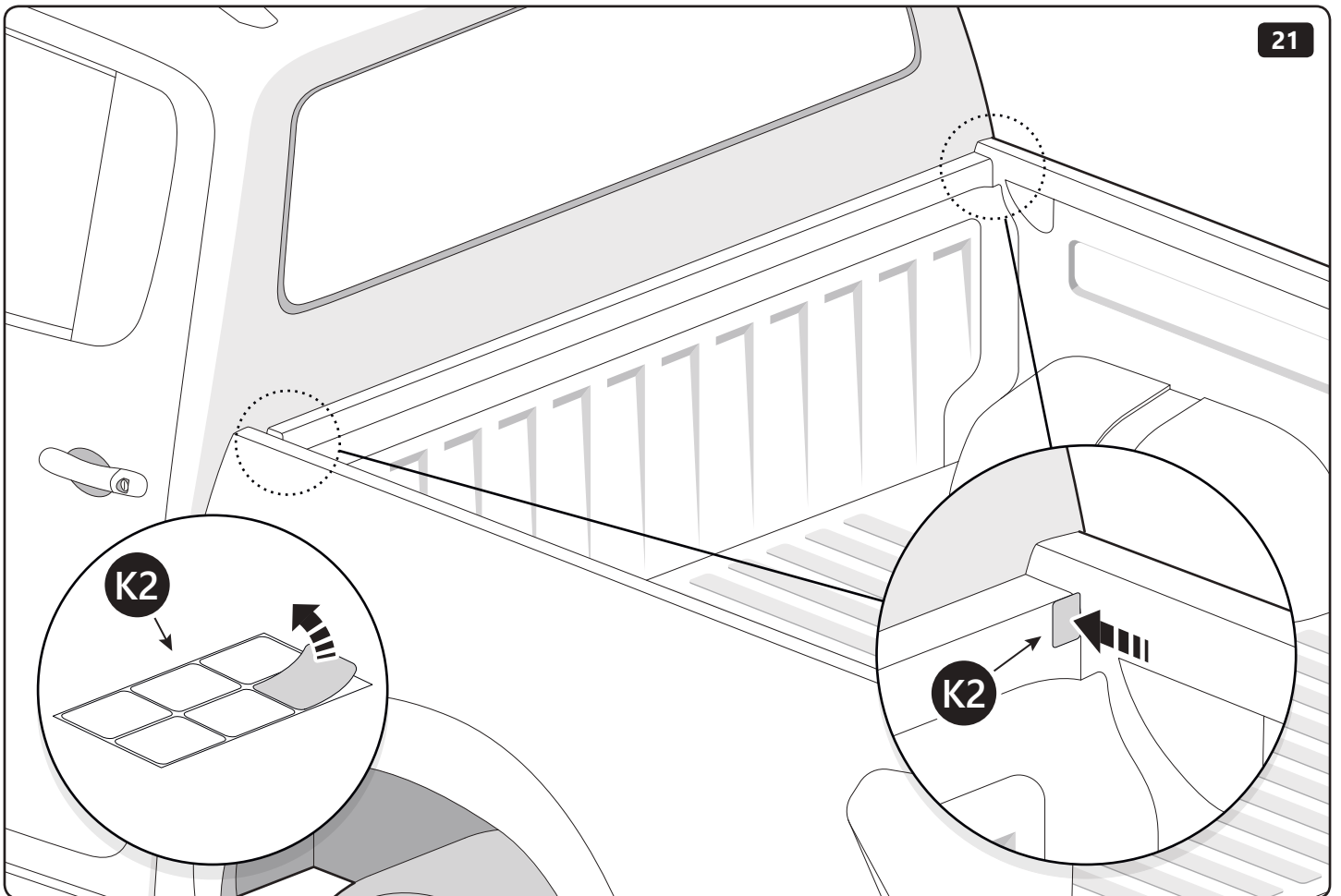
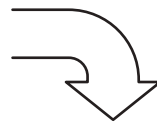
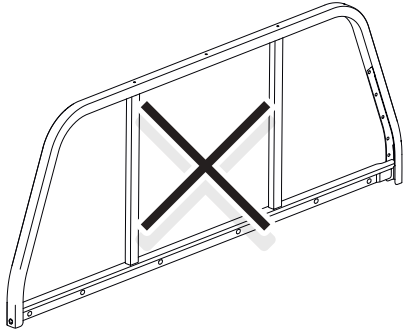
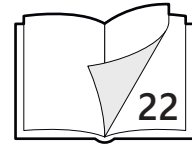
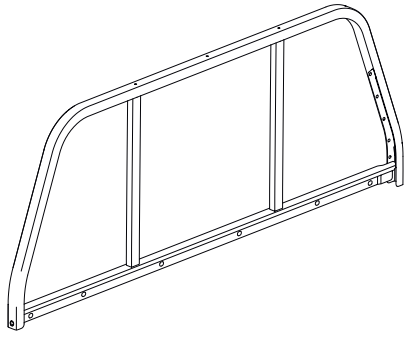


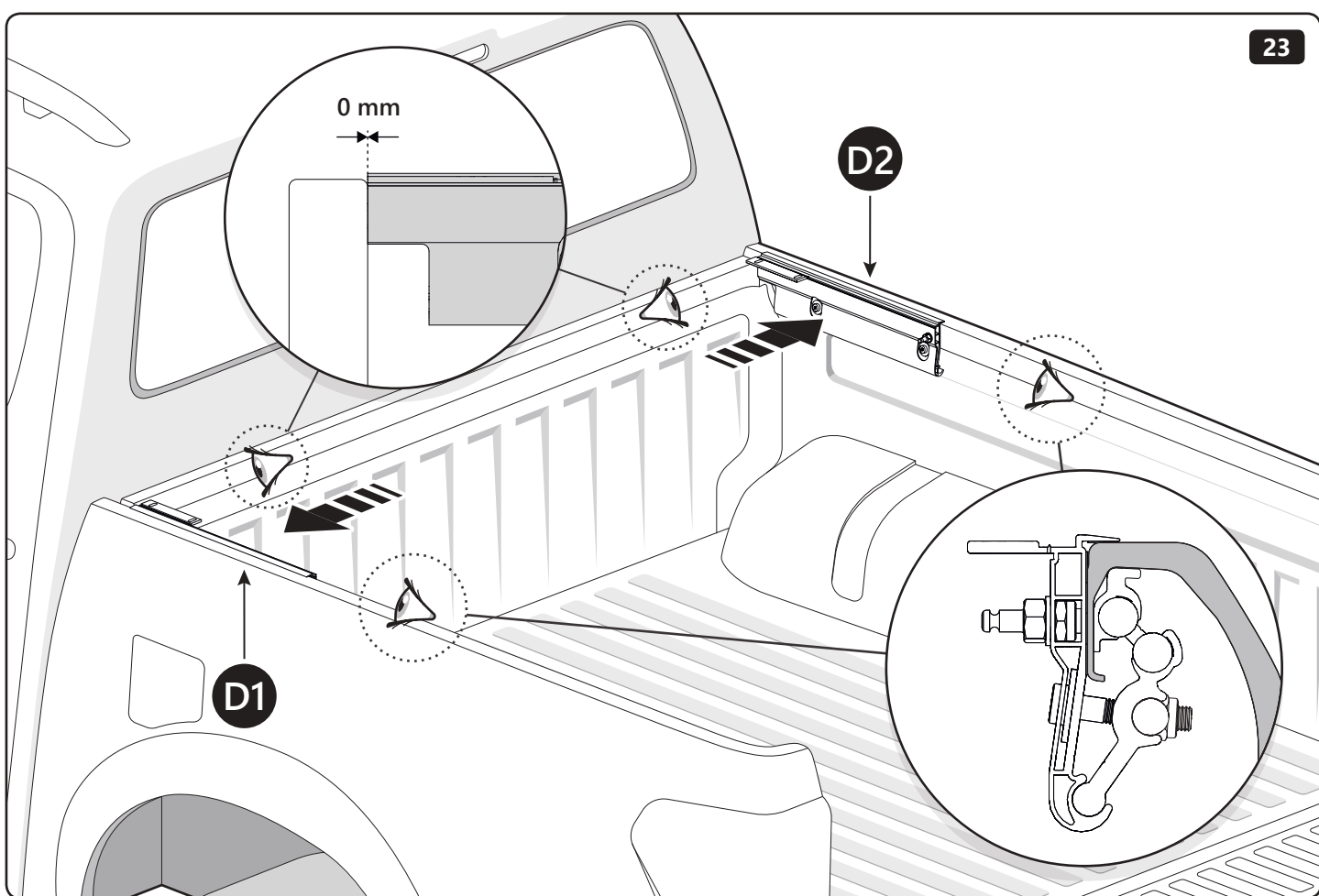
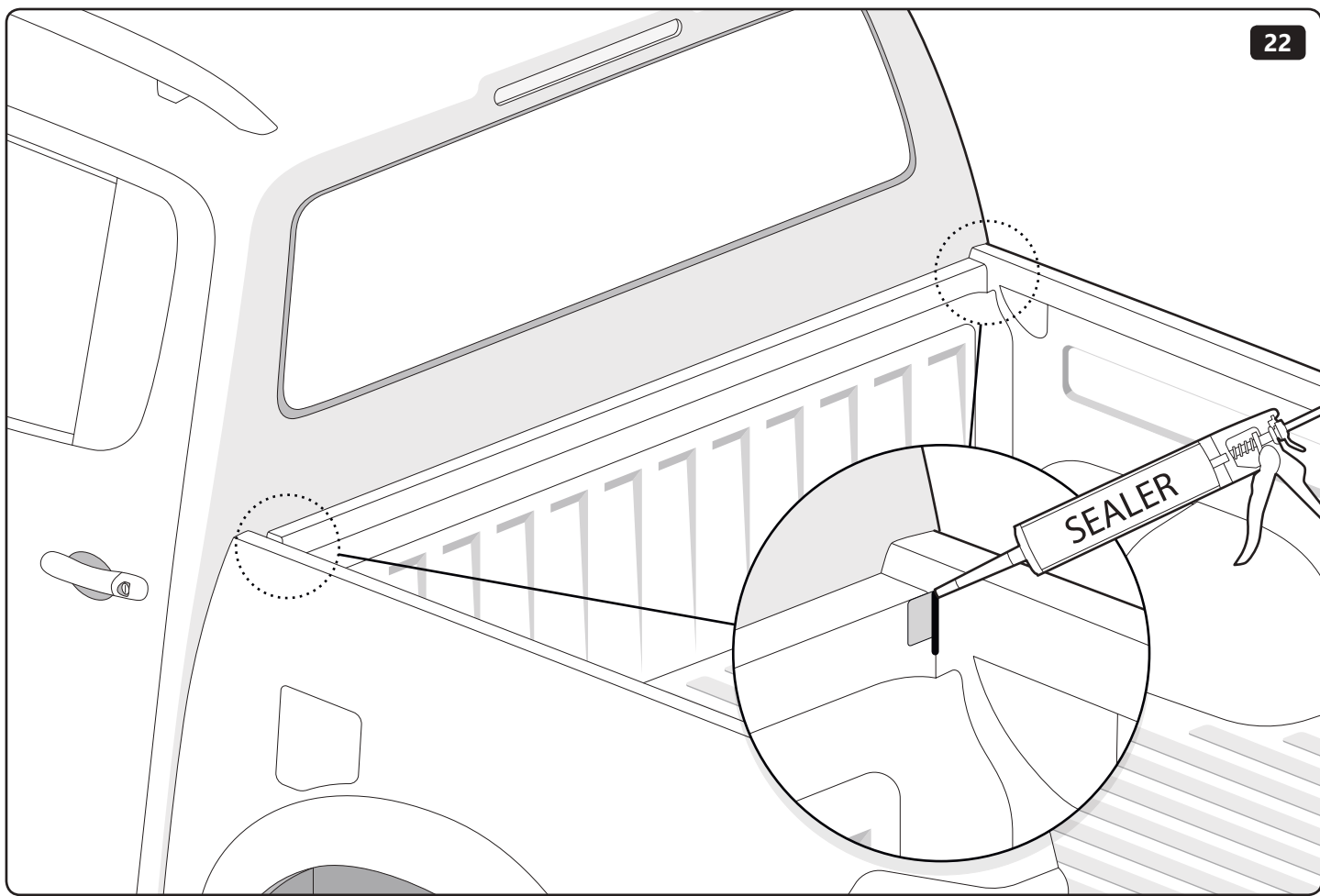


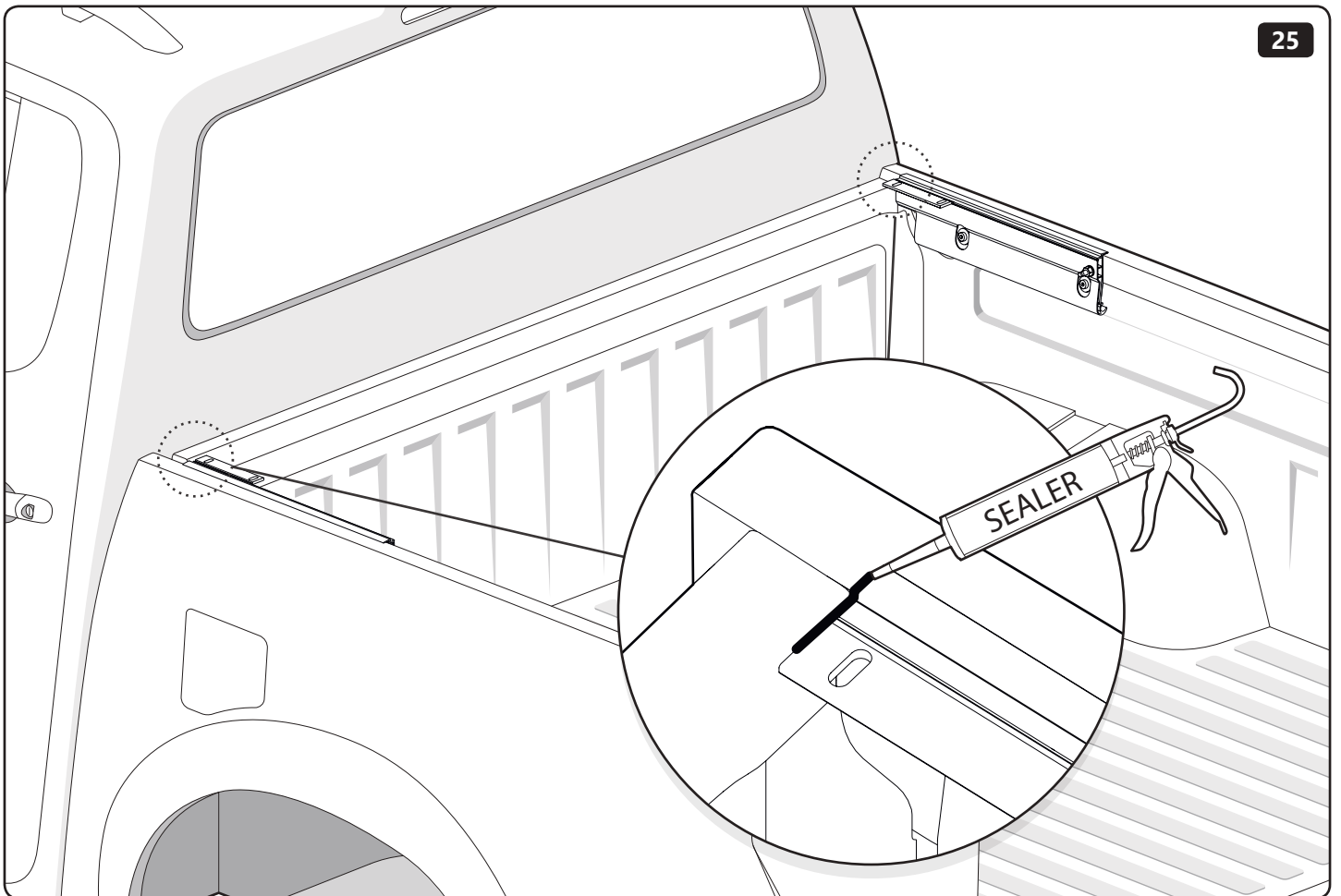
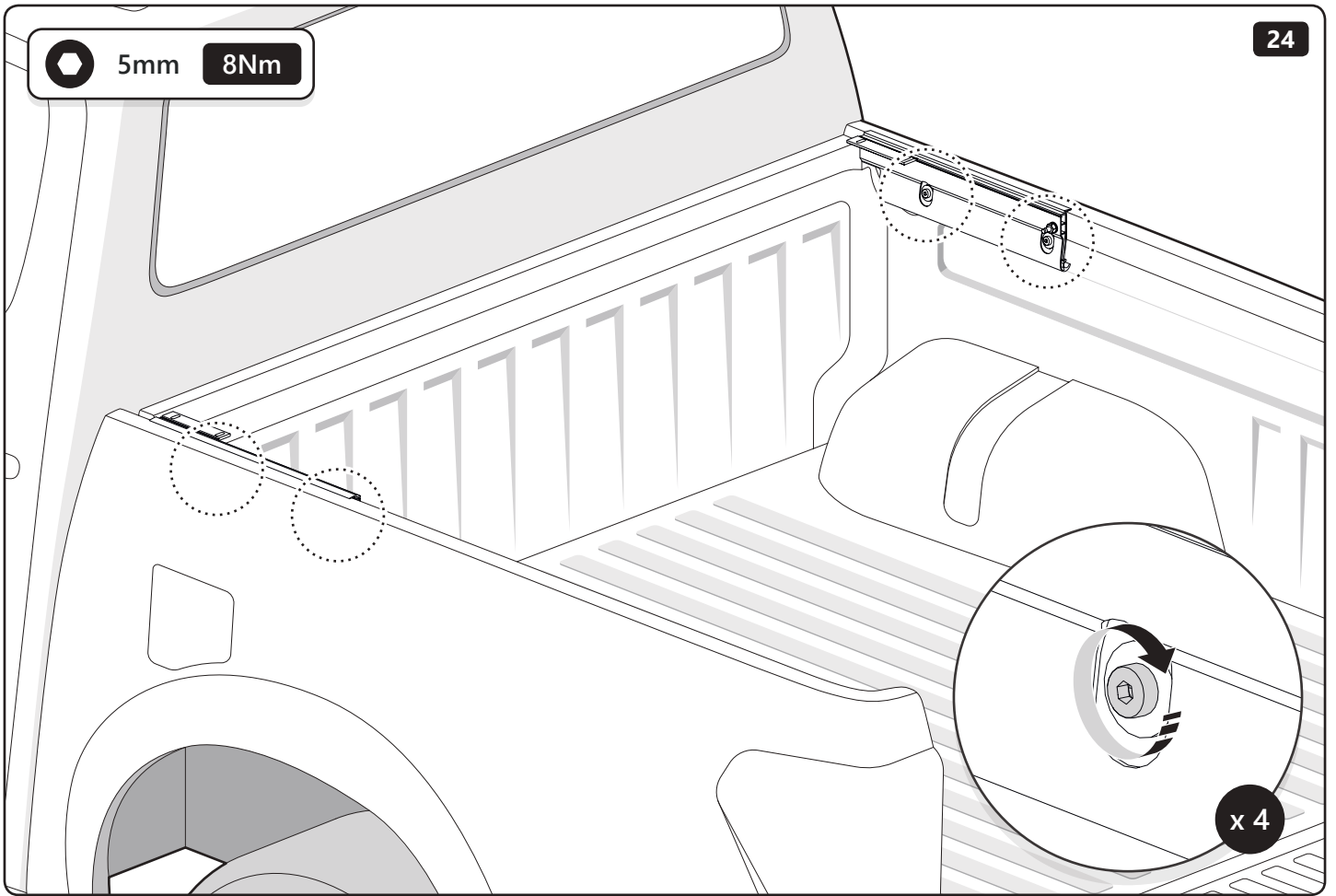


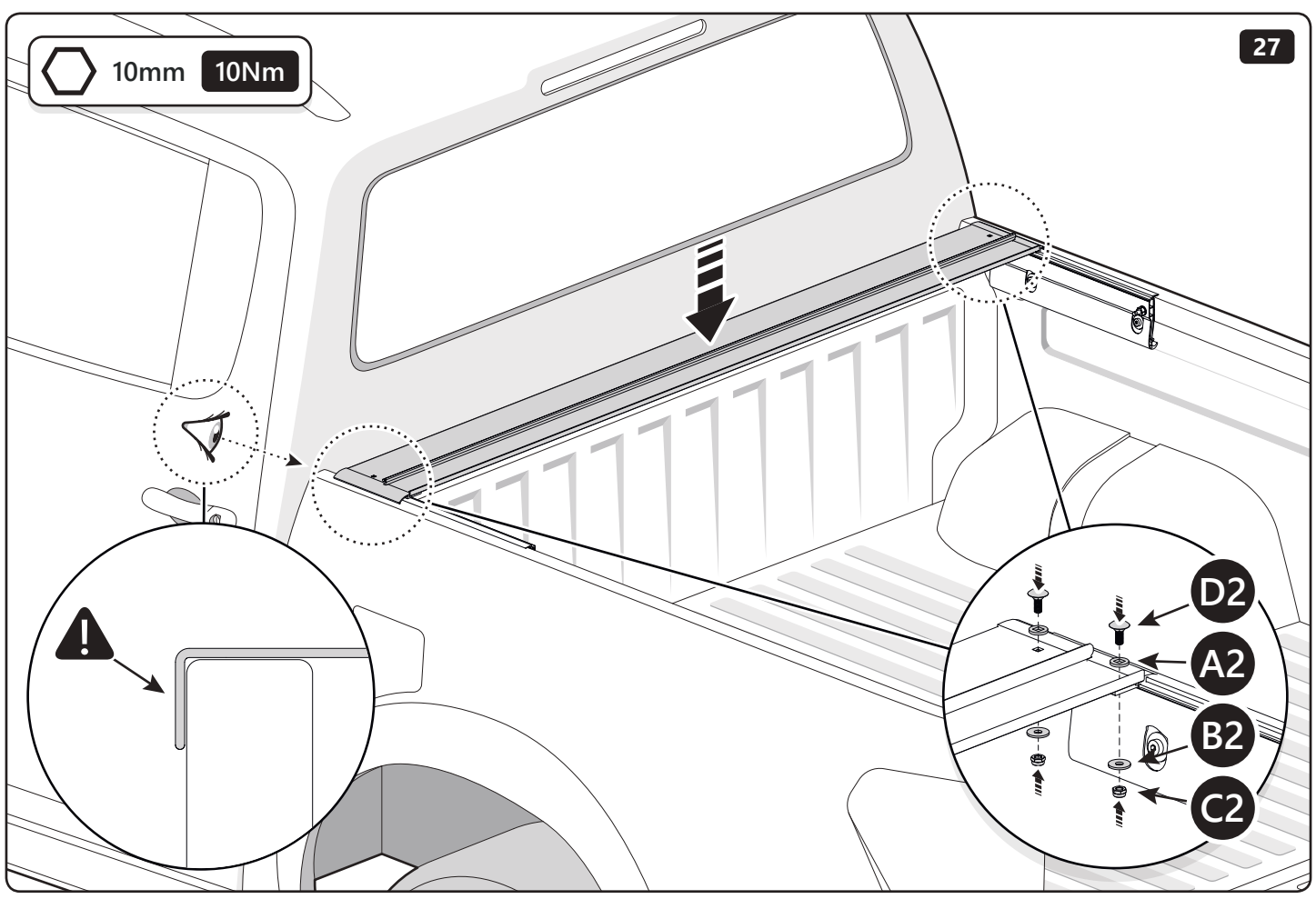
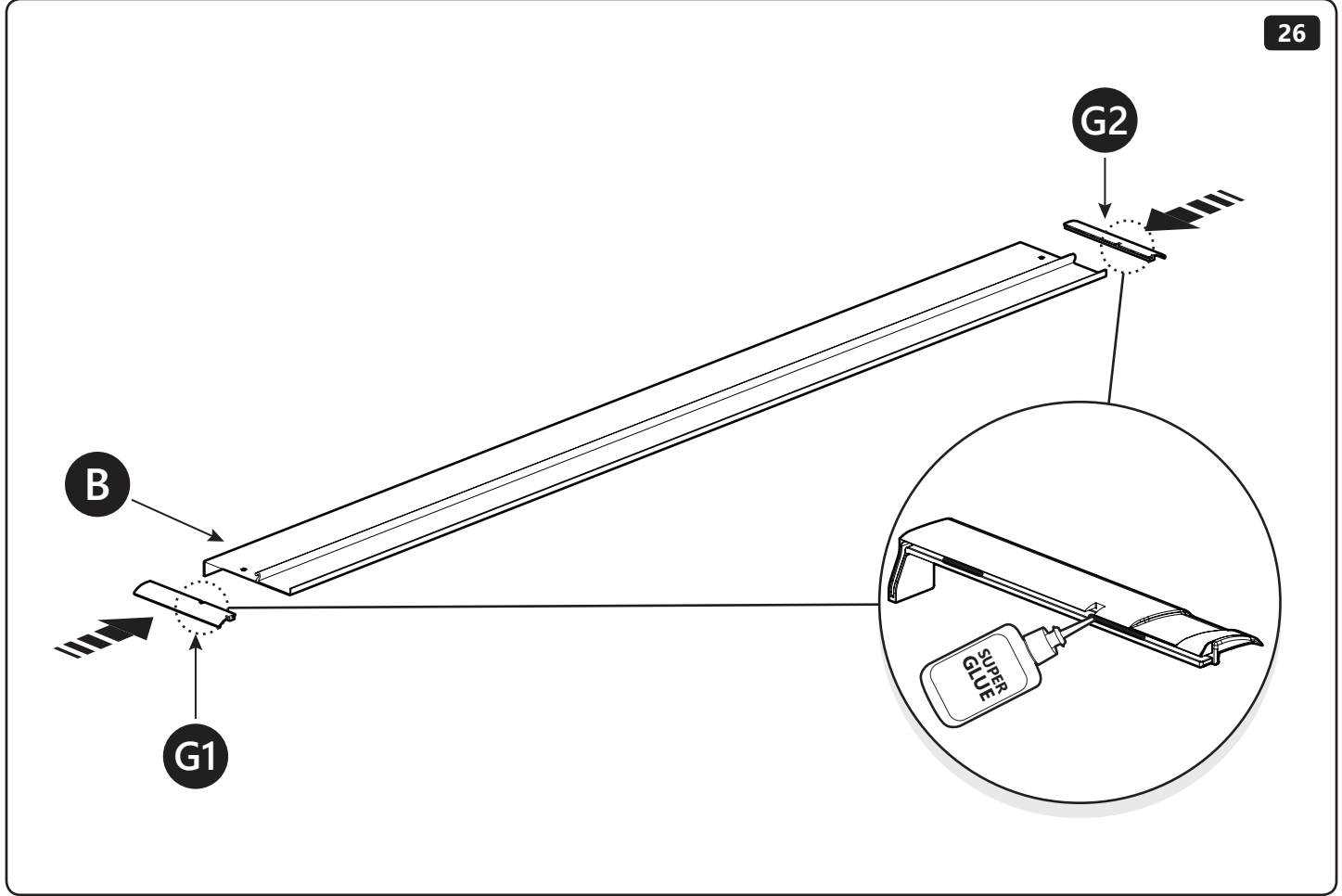


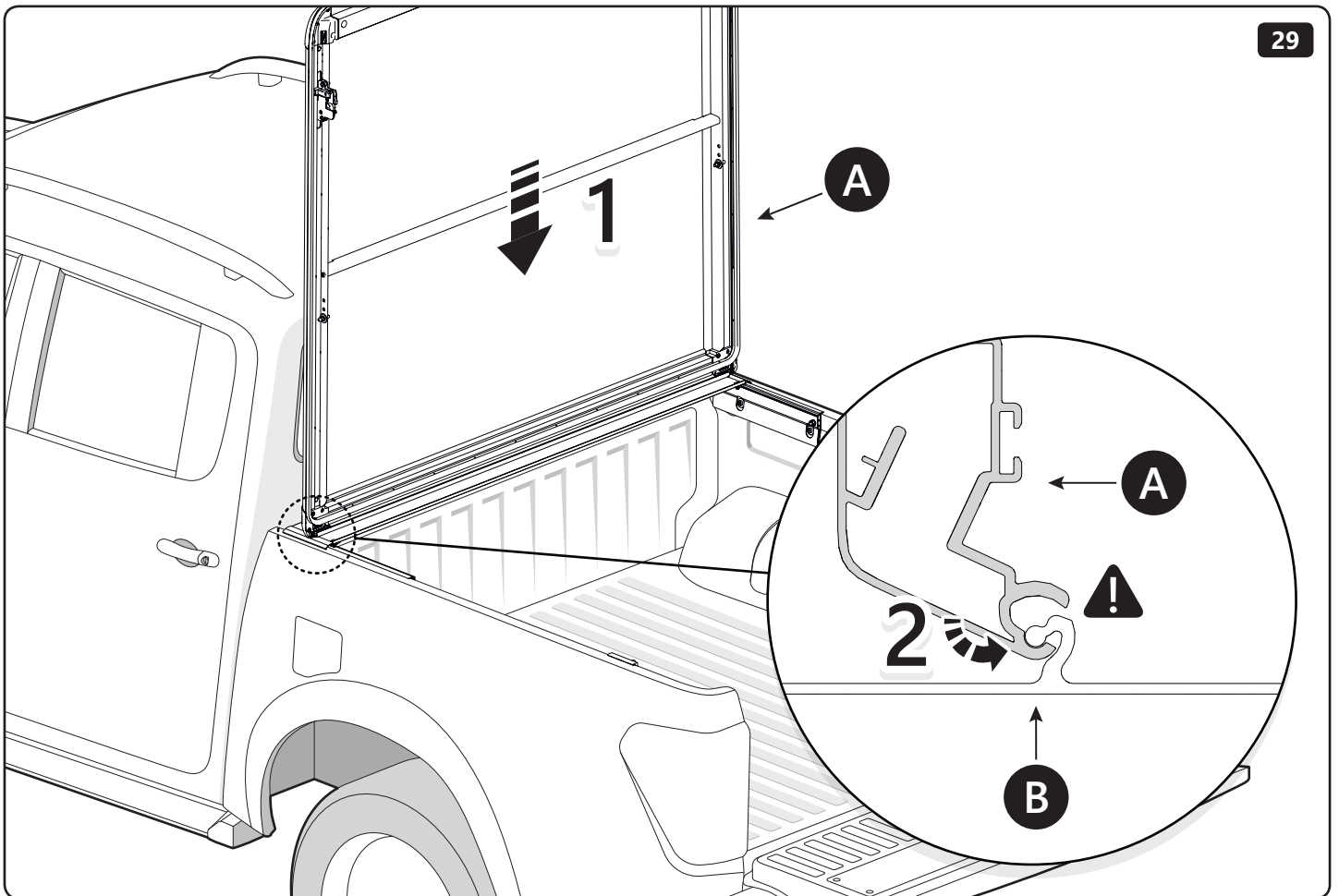
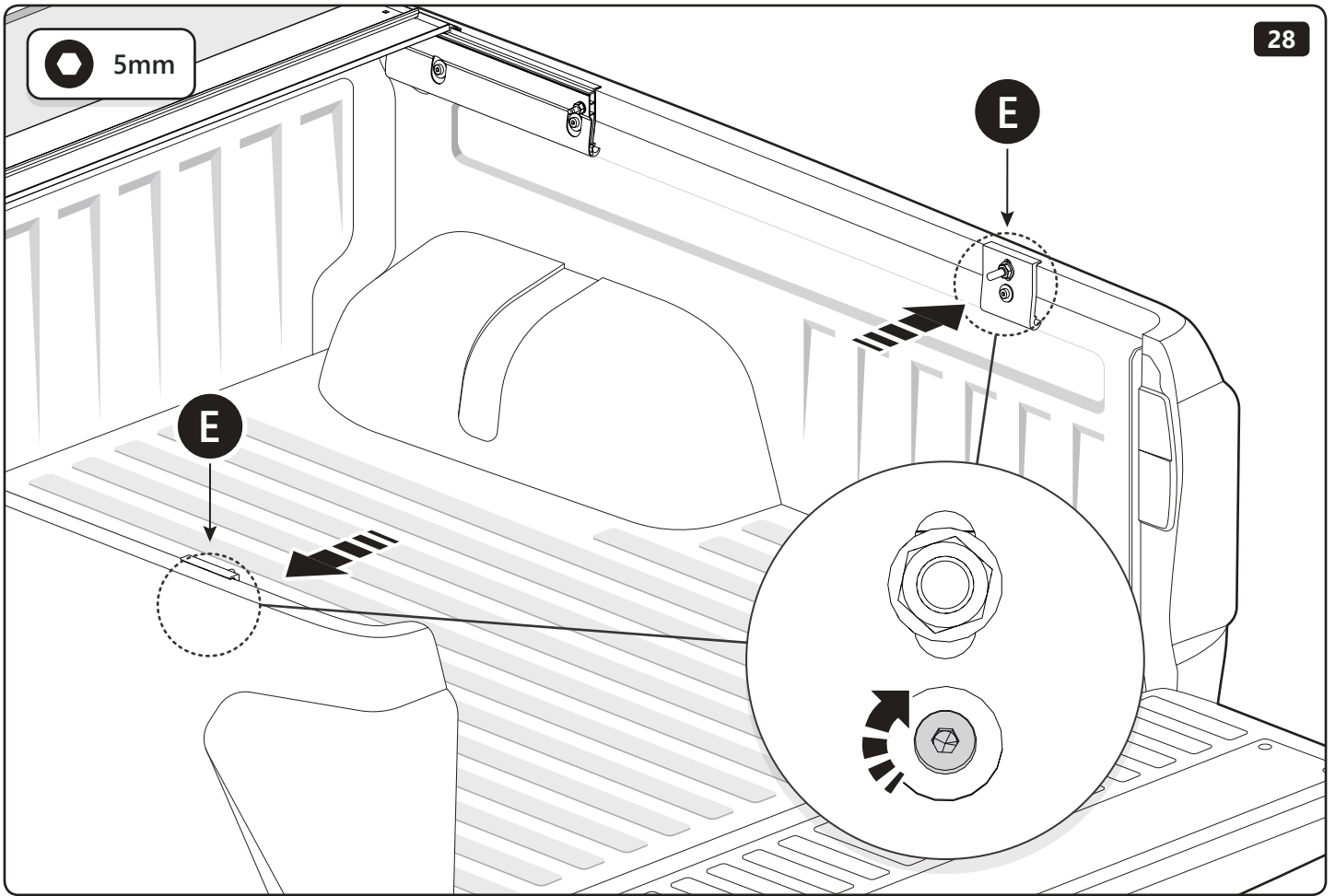


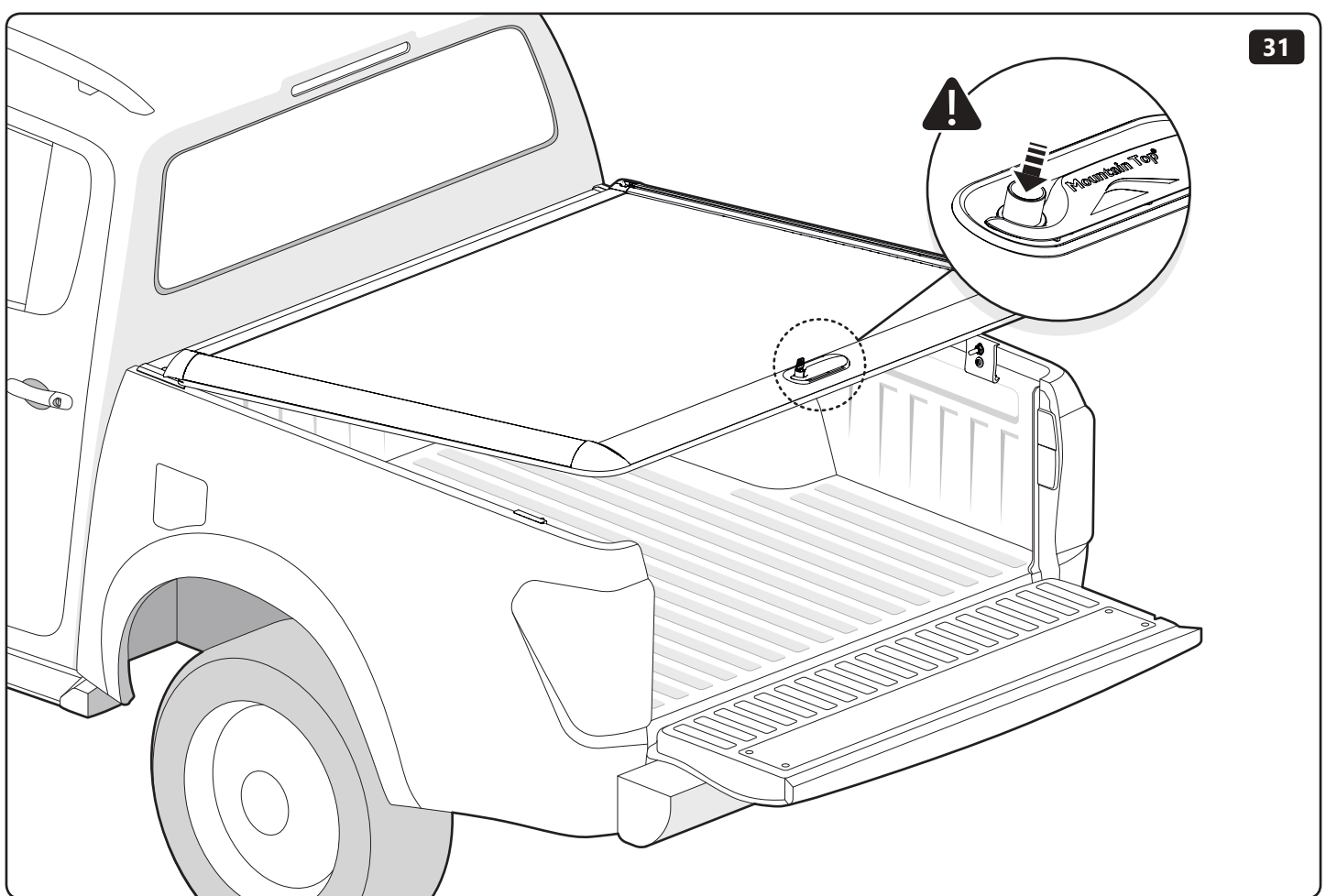
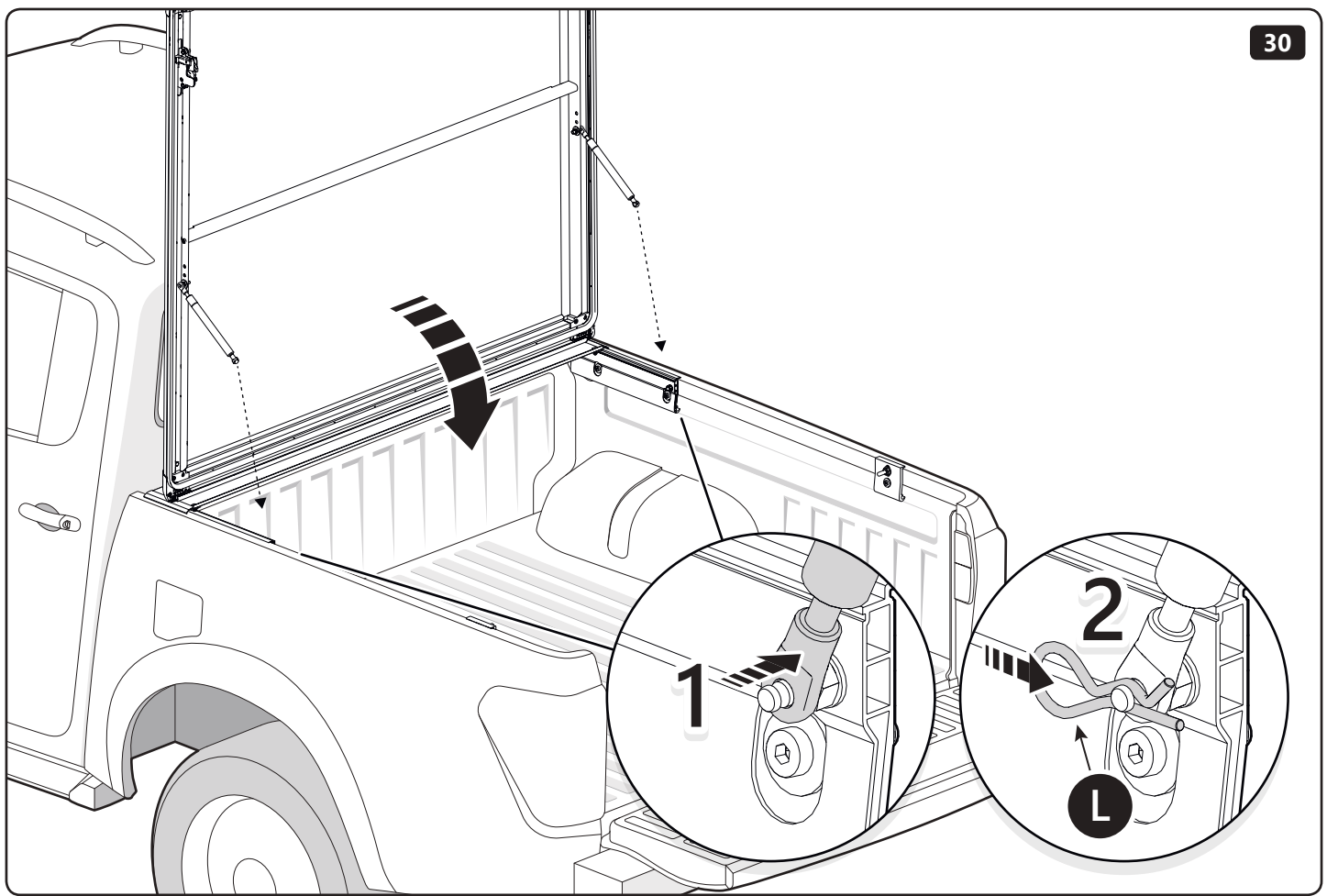




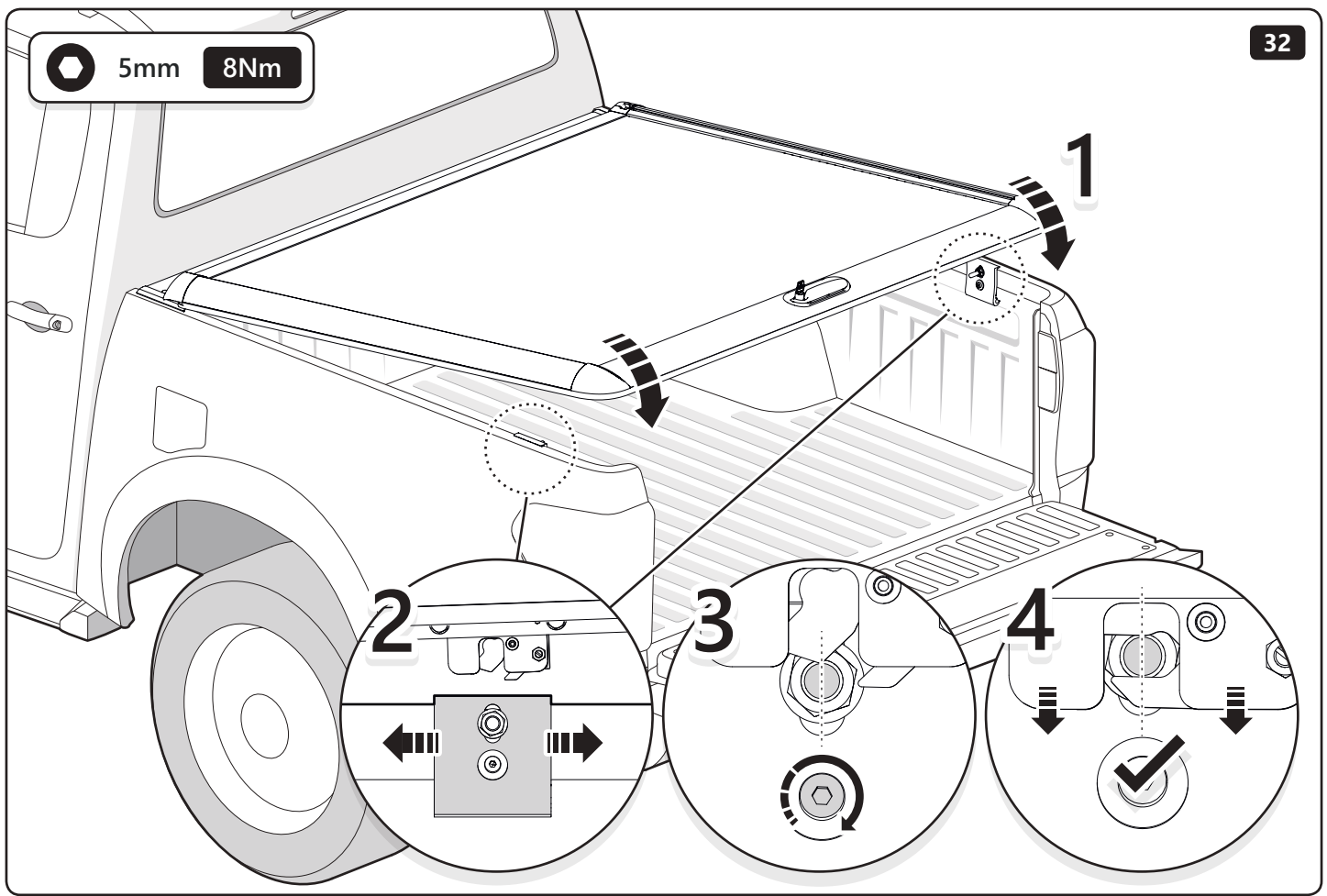




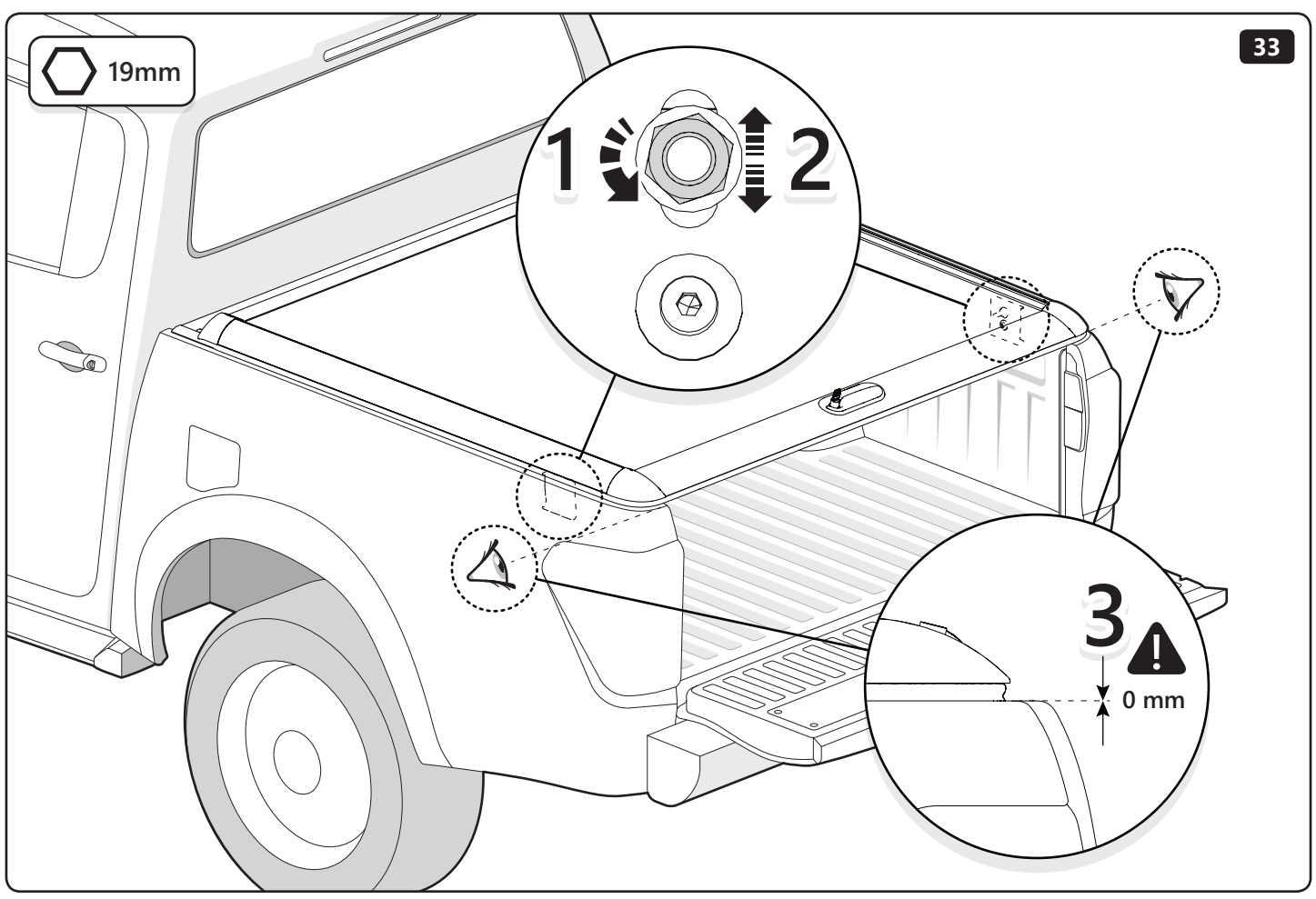




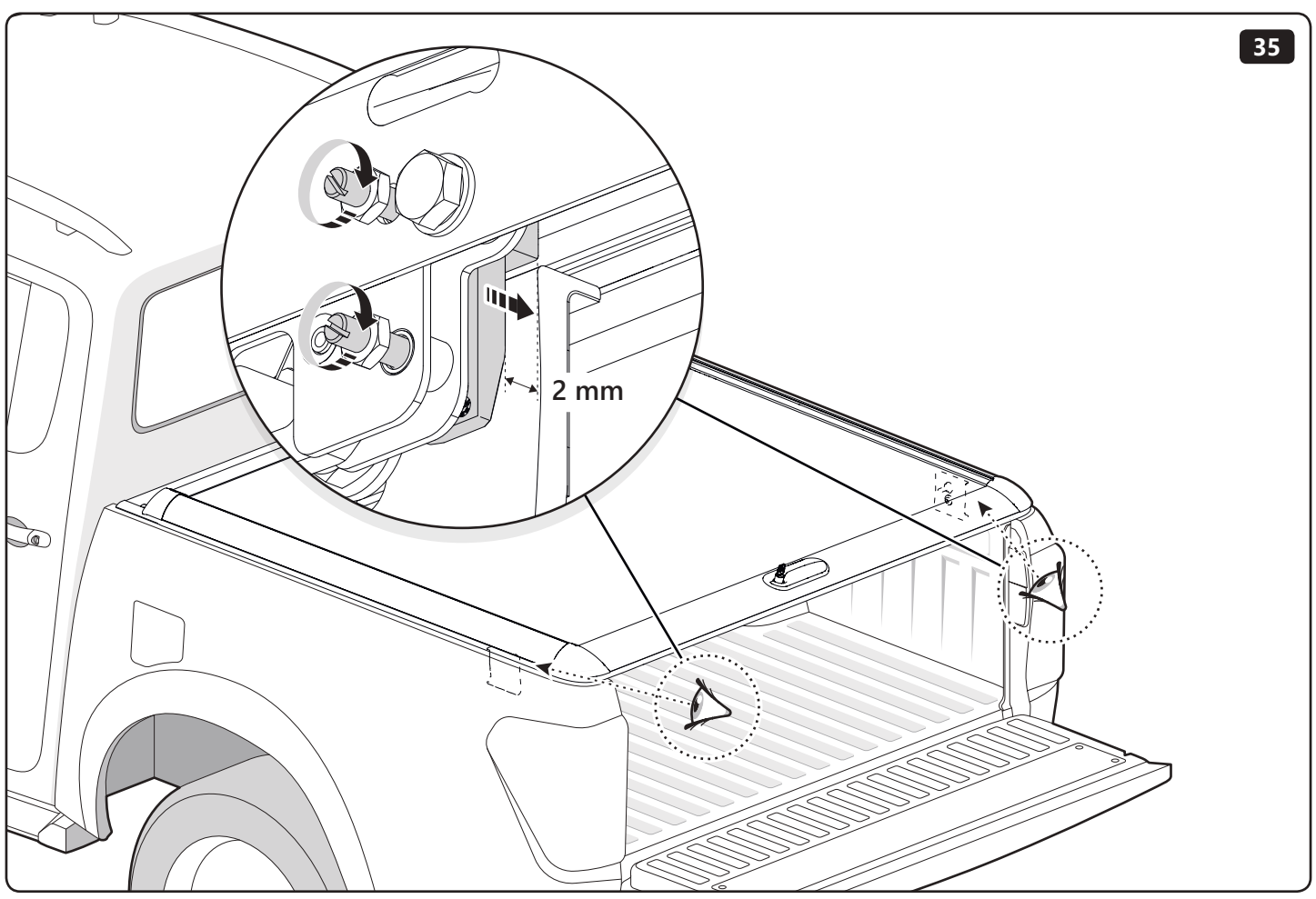
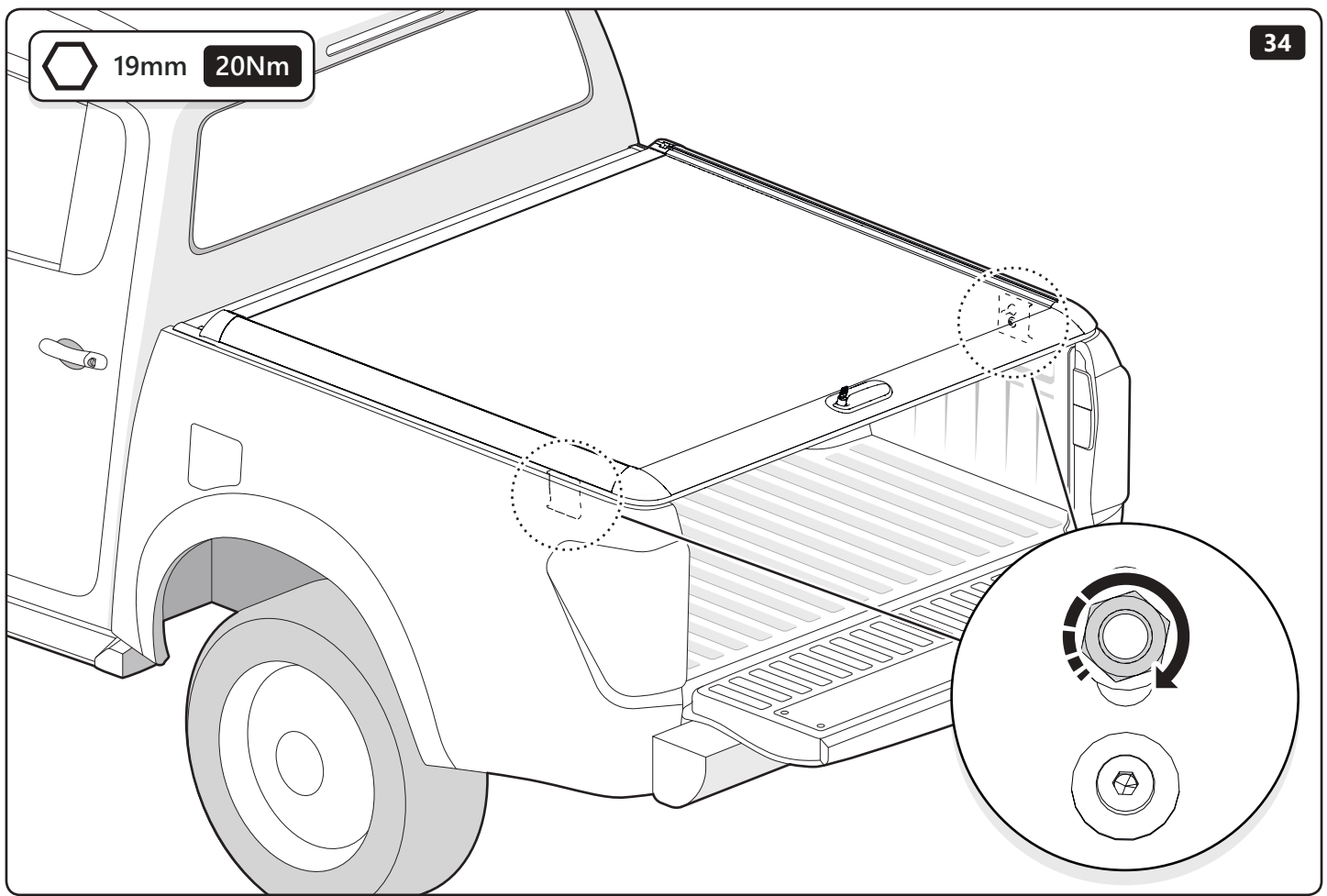
5mm 8Nm

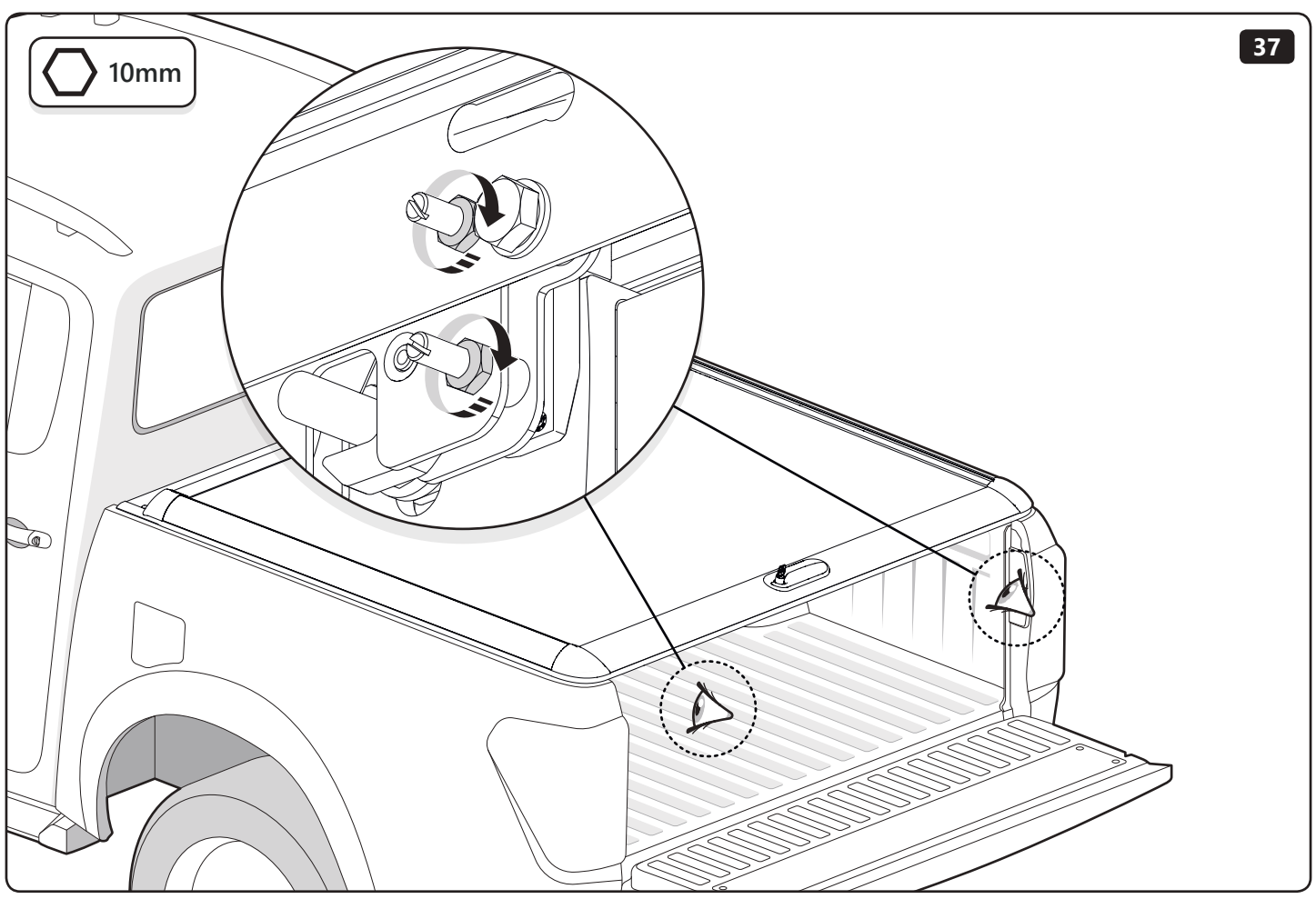
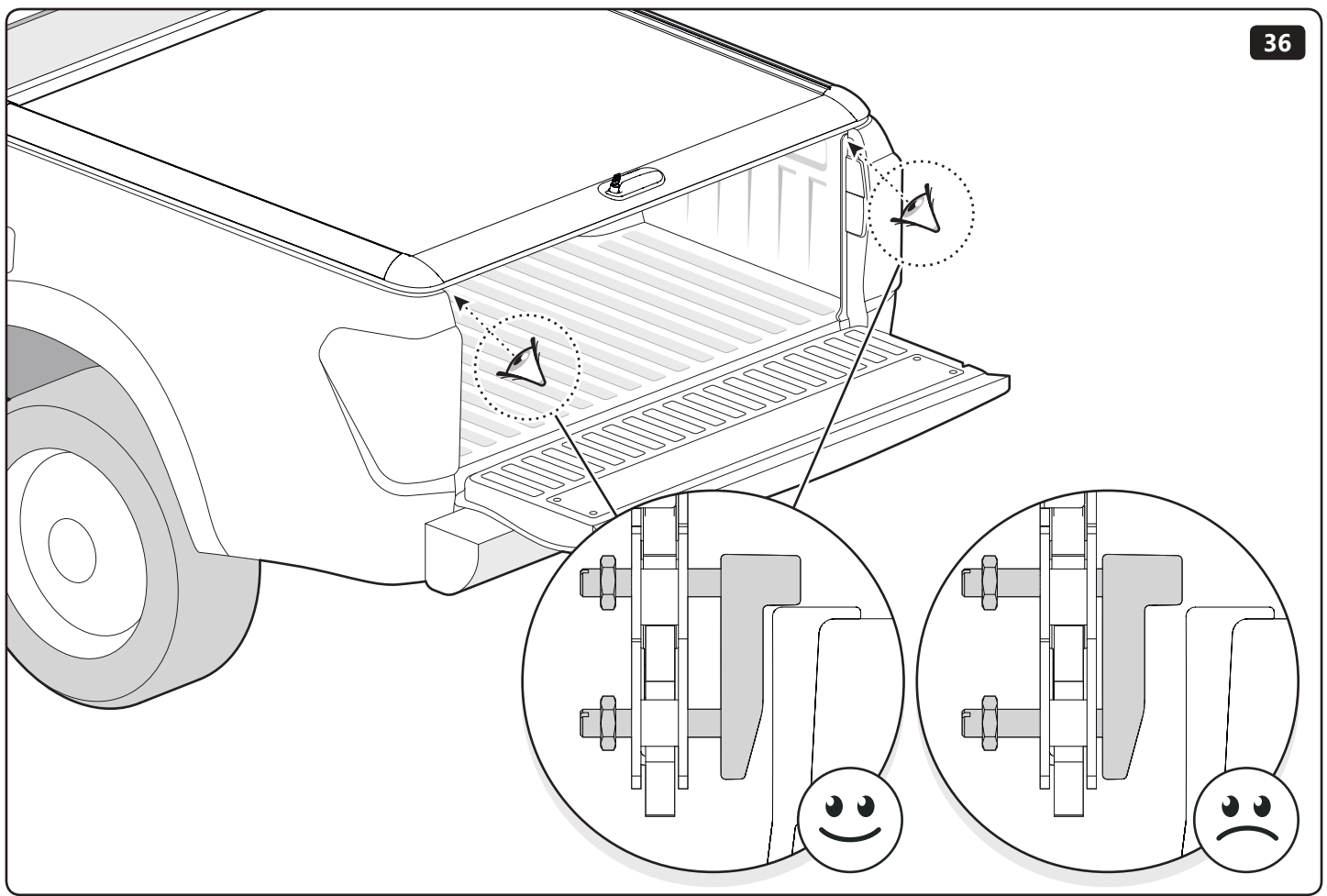


19mm



19mm 20Nm







Customer Service +45 4810 2950 (08:00 - 16:00 CET)
Fax +45 4810 2960
Support info@mountaintop.dk
Website www.mountaintop.dk
Address Pedersholmparken 10, 3600 Frederikssund, Denmark

PART NUMBER(S)	MODEL / YEAR	CAB TYPE(S)	INSTALLATION TIME	WEIGHT
MT2 TO90/91/92	Toyota / 2015 →	Double / Extra / Single	1 hour(s)	29 - 40 Kg
MT2 IS90/91/92	Isuzu / 2006 - 2011	Double / Space / Single	1 hour(s)	29 - 40 Kg
MT2 FO90/91/92	Ford / 2011 →	Double / Super / Single	1 hour(s)	29 - 40 Kg
MT2 MI90/91	Mitsubishi / 2015 →	Double / Club	1 hour(s)	29 - 40 Kg
MT2 MA90/91/92	Mazda / 2011 →	Double / Super / Single	1 hour(s)	29 - 40 Kg
MT2 NI90/91	Nissan / 2015 →	Double / King	1 hour(s)	29 - 40 Kg
MT2 VW80/82	Volkswagen / 2010 →	Double / Single	1 hour(s)	29 - 40 Kg
MT2 MI90/91	Fiat / 2016 →	Double / Club	1 hour(s)	29 - 40 Kg
MT2 MB90	Mercedes Benz / 2017 →	Double	1 hour(s)	29 - 40 Kg
MT2 RE90/91	Renault / 2017 →	Double/ King	1 hour(s)	29 - 40 Kg

GB Installation manual	S Monteringsanvisning	D Einbauanleitung
SF Asennusohje	E Instrucciones de montaje	CZ Návod k instalaci
F Notice de montage	H Szerelési utasítás	I Istruzioni de montaggio
PL Instrukcja montażu	P Instruções de instalação	GR Οδηγίες Εγκατάστασης
NL Installatie-instructies	RUS Инструкция по установке	DK Monteringsvejledning
TR Montaj Talimatı	N Monteringsveiledning	RO Instructiuni de instalare