

Mountain Top® Style

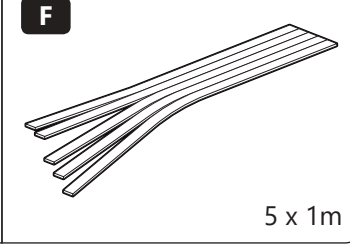
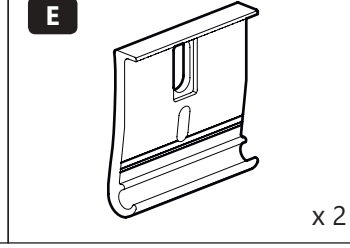
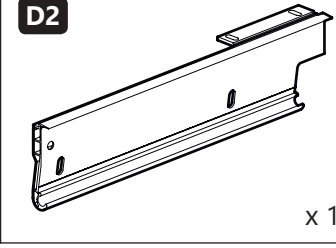
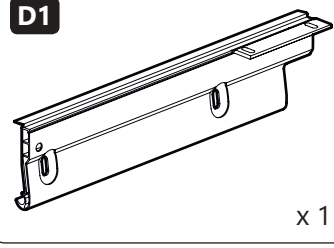
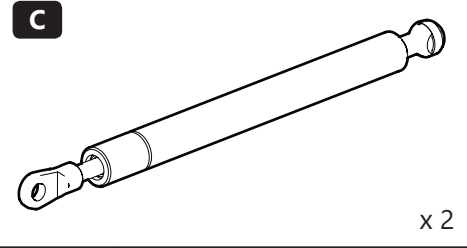
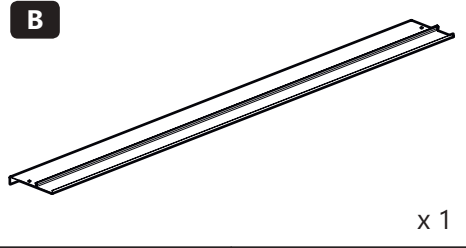
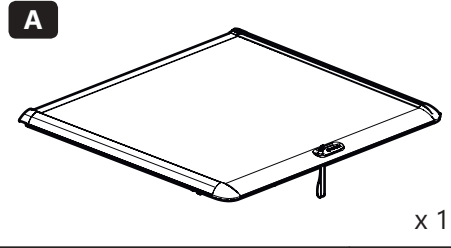
Installation manual



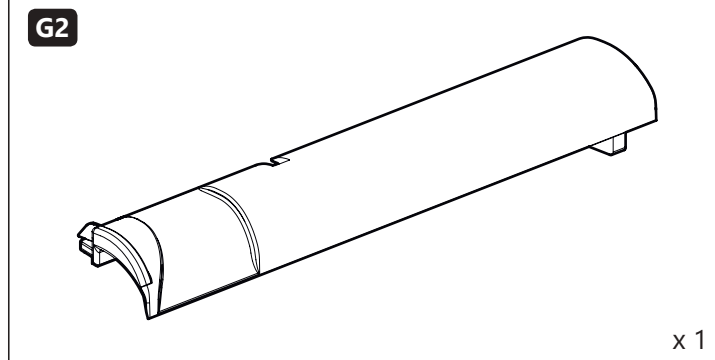
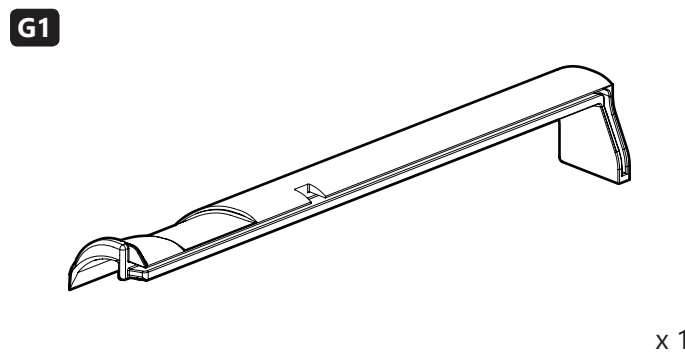
DOWNLOAD PDF



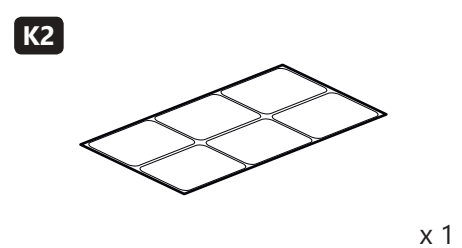
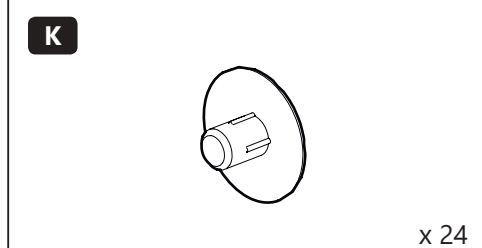
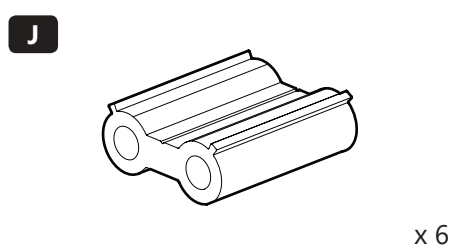
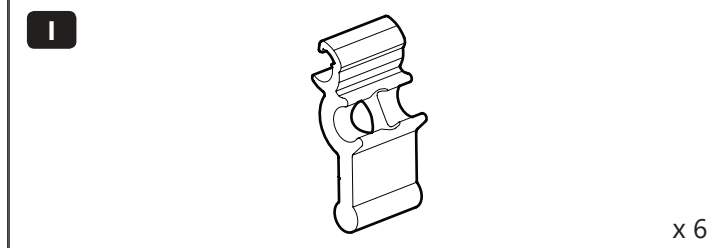
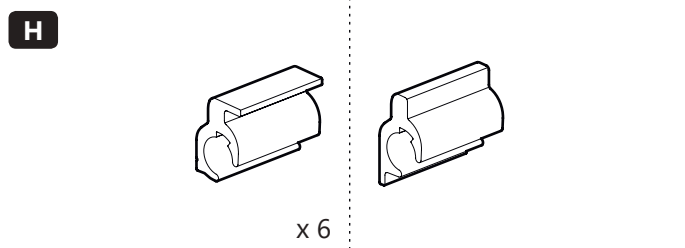
Parts

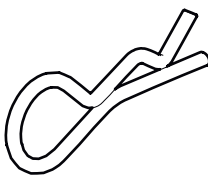
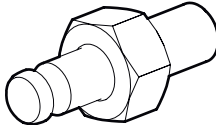
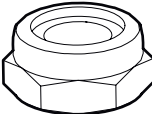



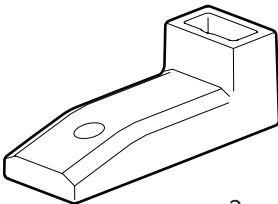
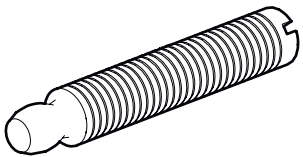
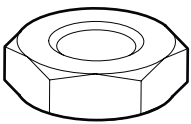
Kit

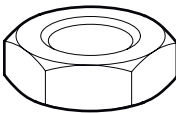

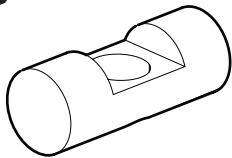


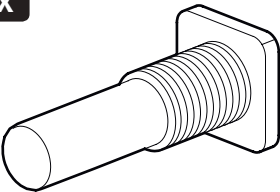
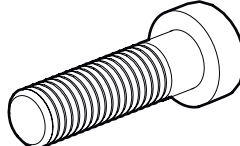
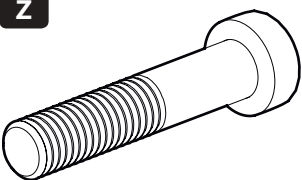


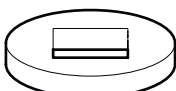
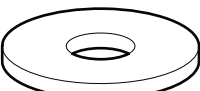
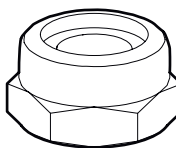
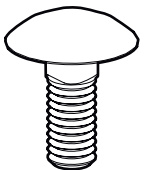
Kit

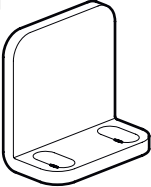
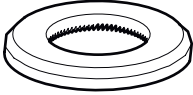
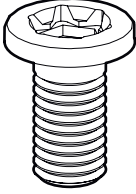
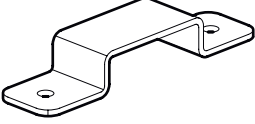
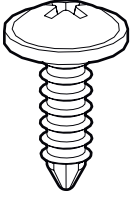



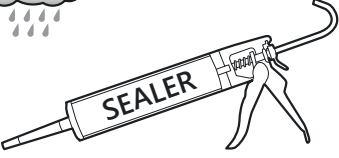
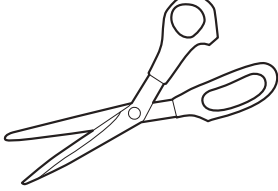

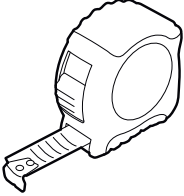
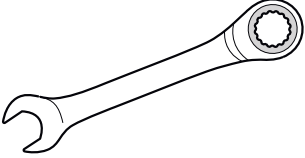
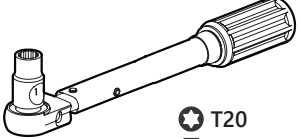



Kit			
L  x 2	M  x 2	N  x 2	O  x 2

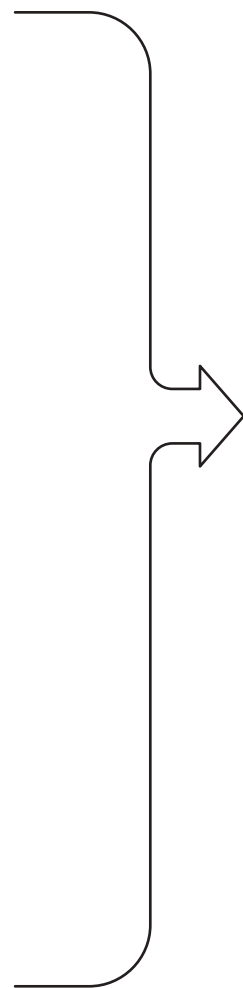
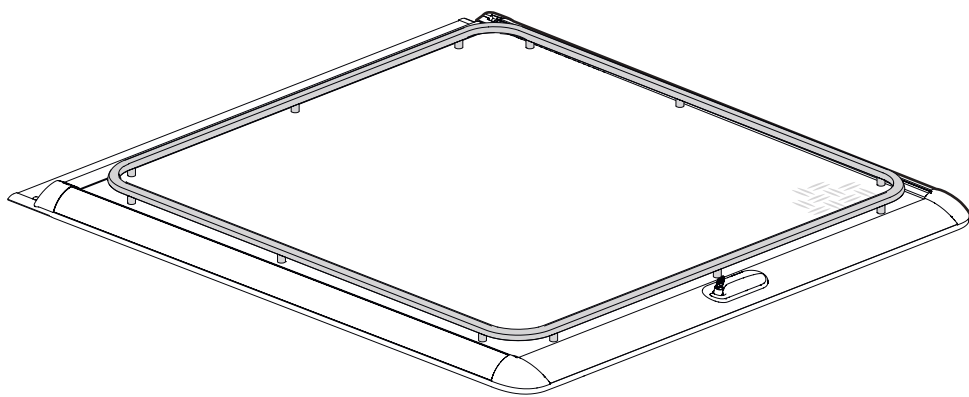
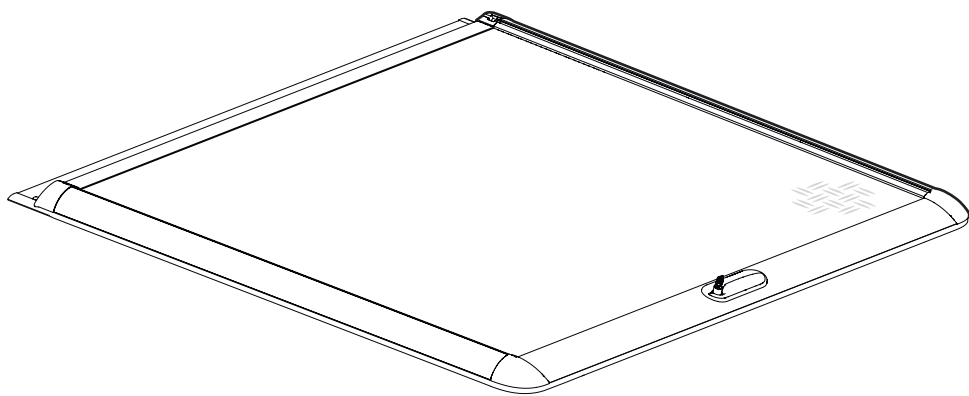
Kit		
P  x 2	Q  x 4	R  x 4

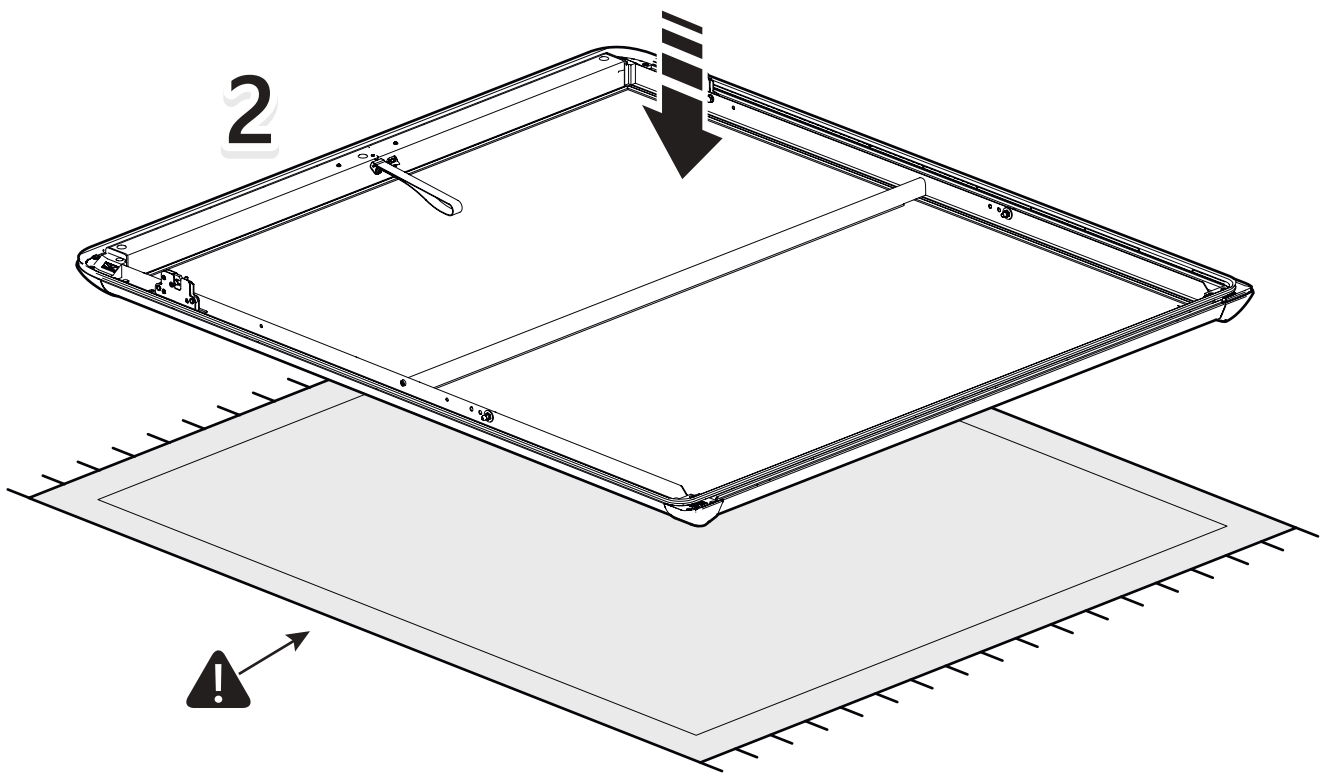
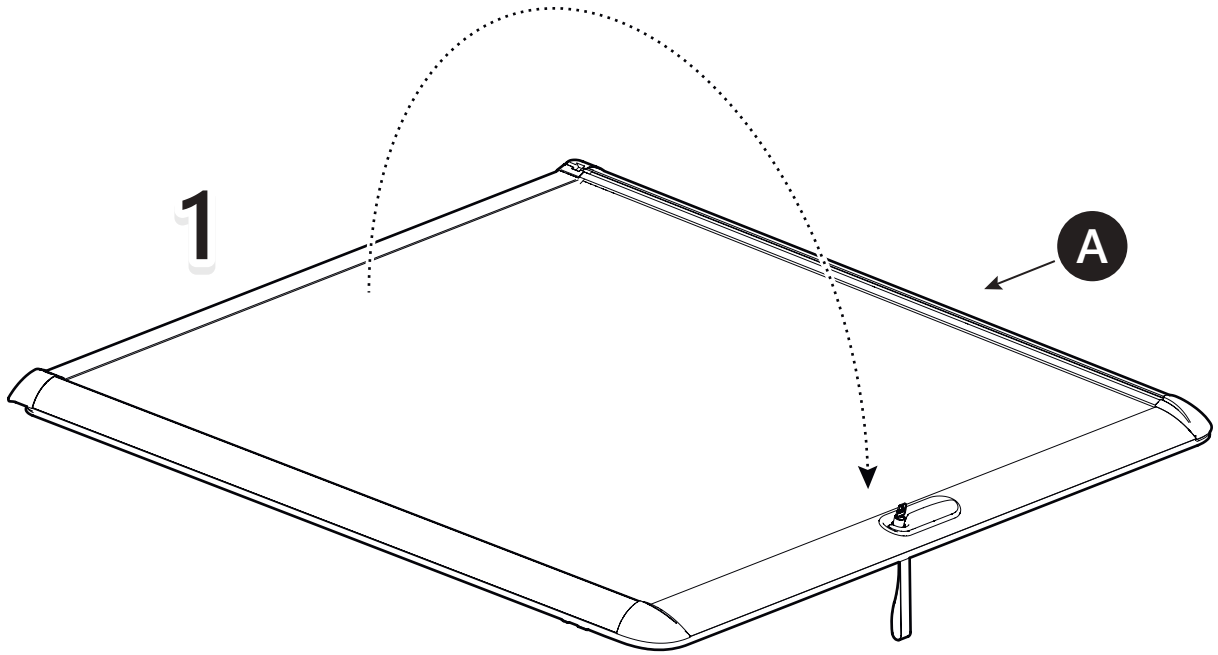
Kit			
S  x 2	T  x 6	U  x 6	V  x 6
W  x 2	X  x 2	Y  x 6 TOYOTA x 4	Z  TOYOTA x 2

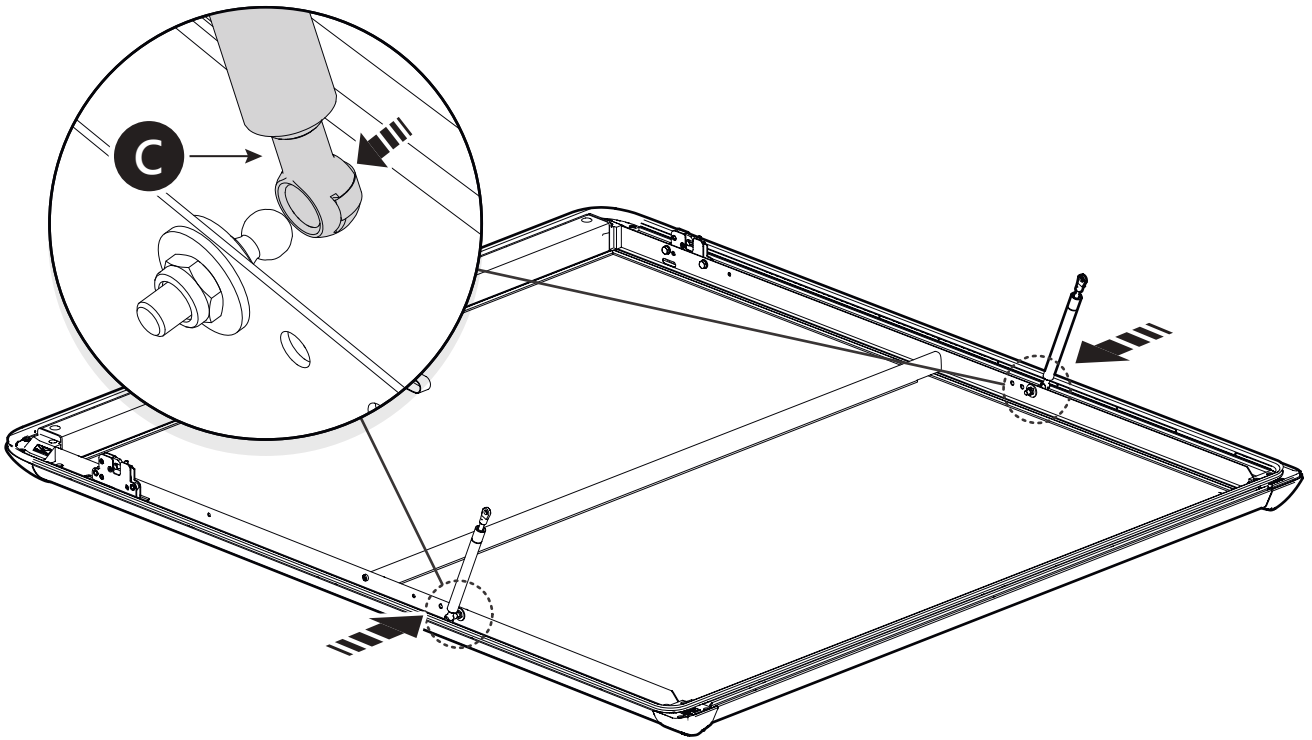
Kit			
A2  x 4	B2  x 4	C2  x 4	D2  x 4

Kit				
 <p>E2</p> <p>x 2</p>	 <p>F2</p> <p>x 4</p>	 <p>G2</p> <p>x 4</p>	 <p>H2</p> <p>x 2</p>	 <p>I2</p> <p>x 4</p>

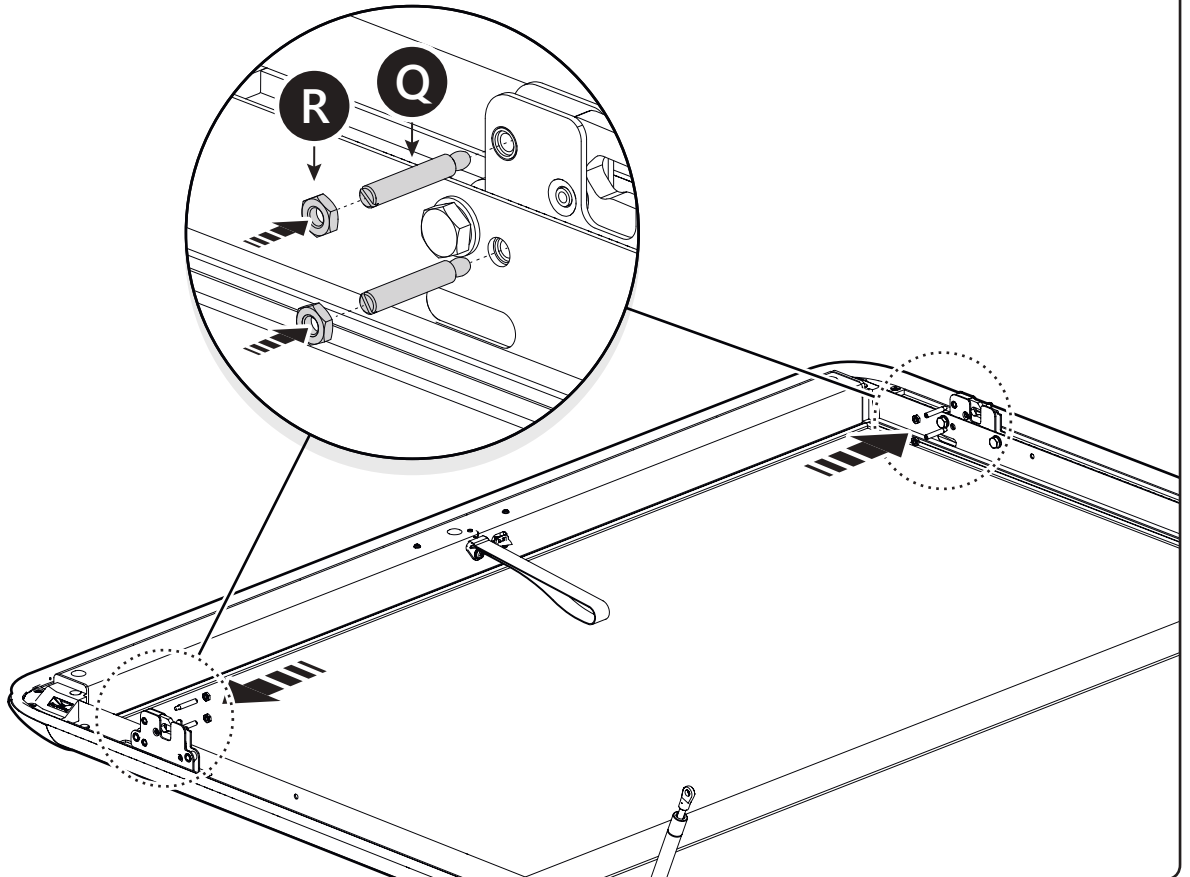
Tools and materials needed		
 		
	 <p>10, 13, 19mm</p>	<p>1-25 Nm</p>  <ul style="list-style-type: none">  T20  10, 13, 19mm  5mm



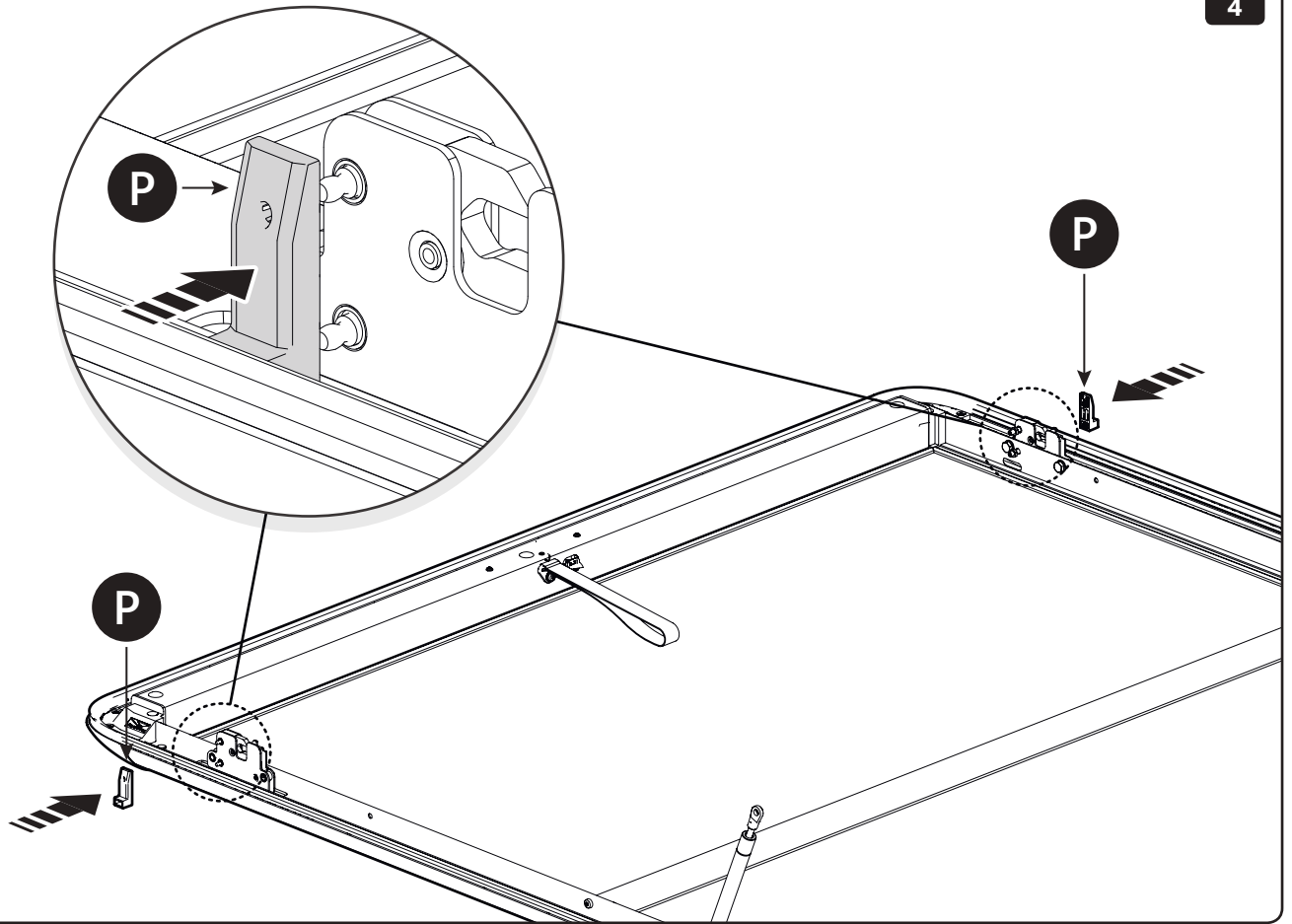




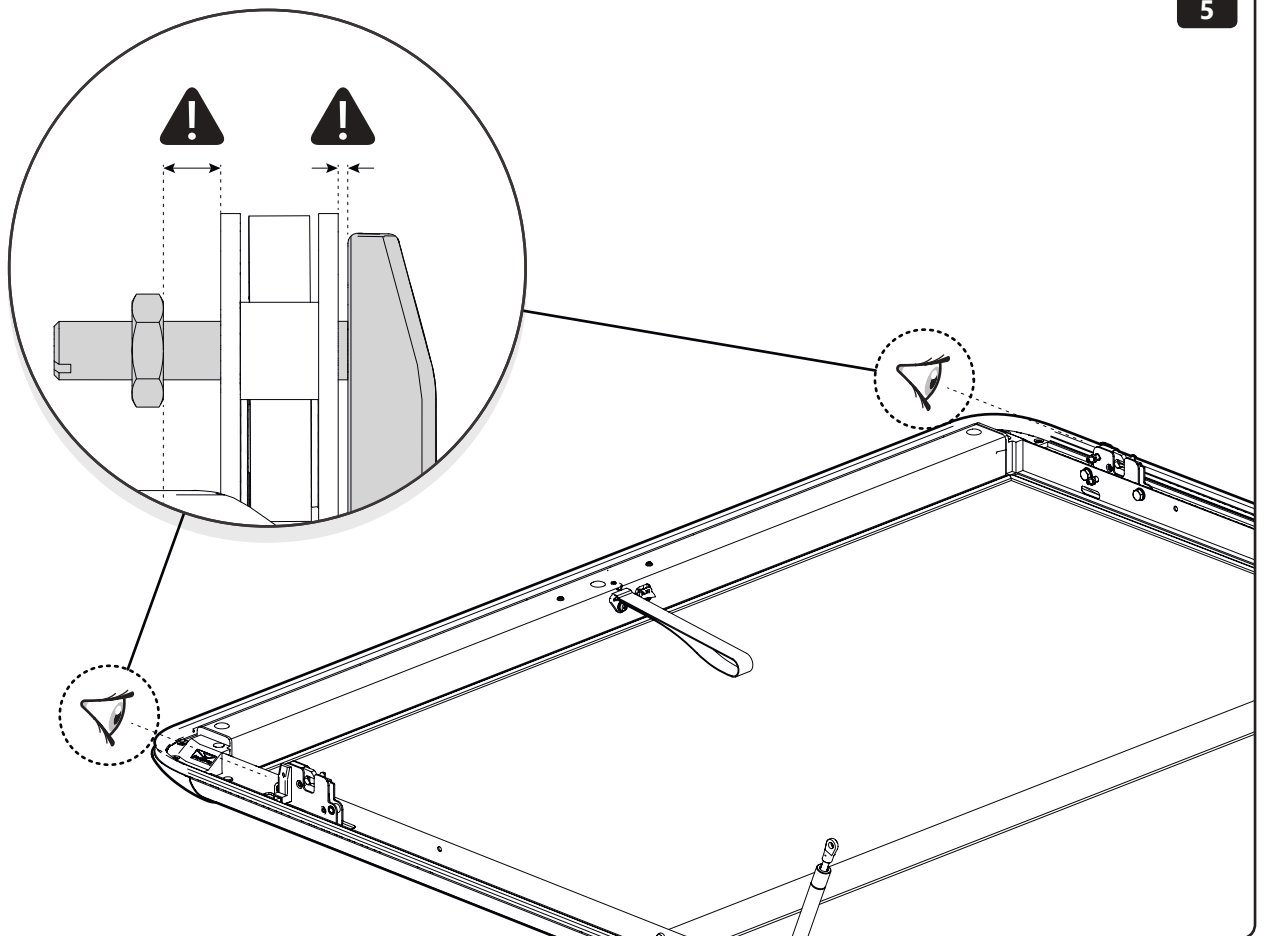
10mm

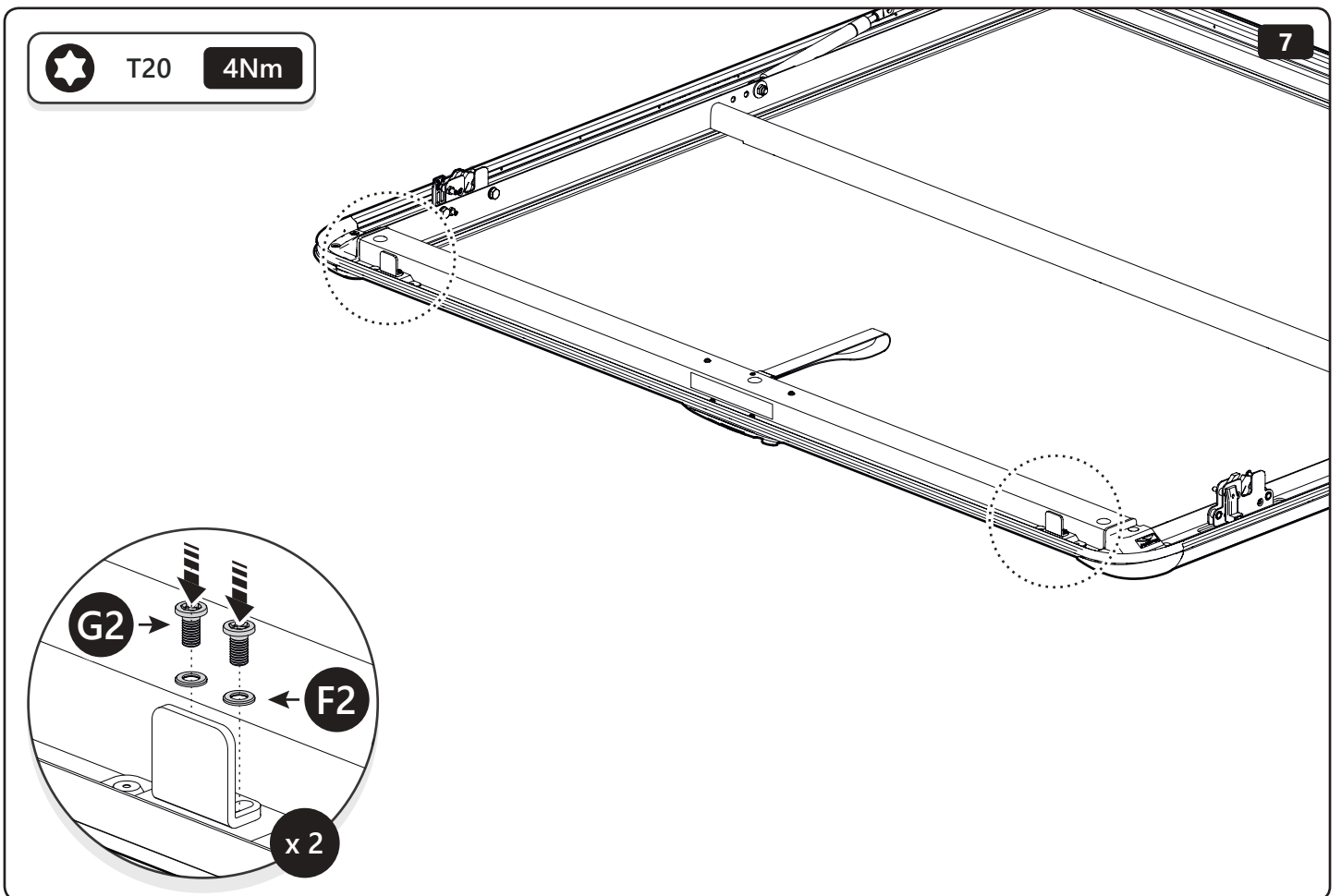
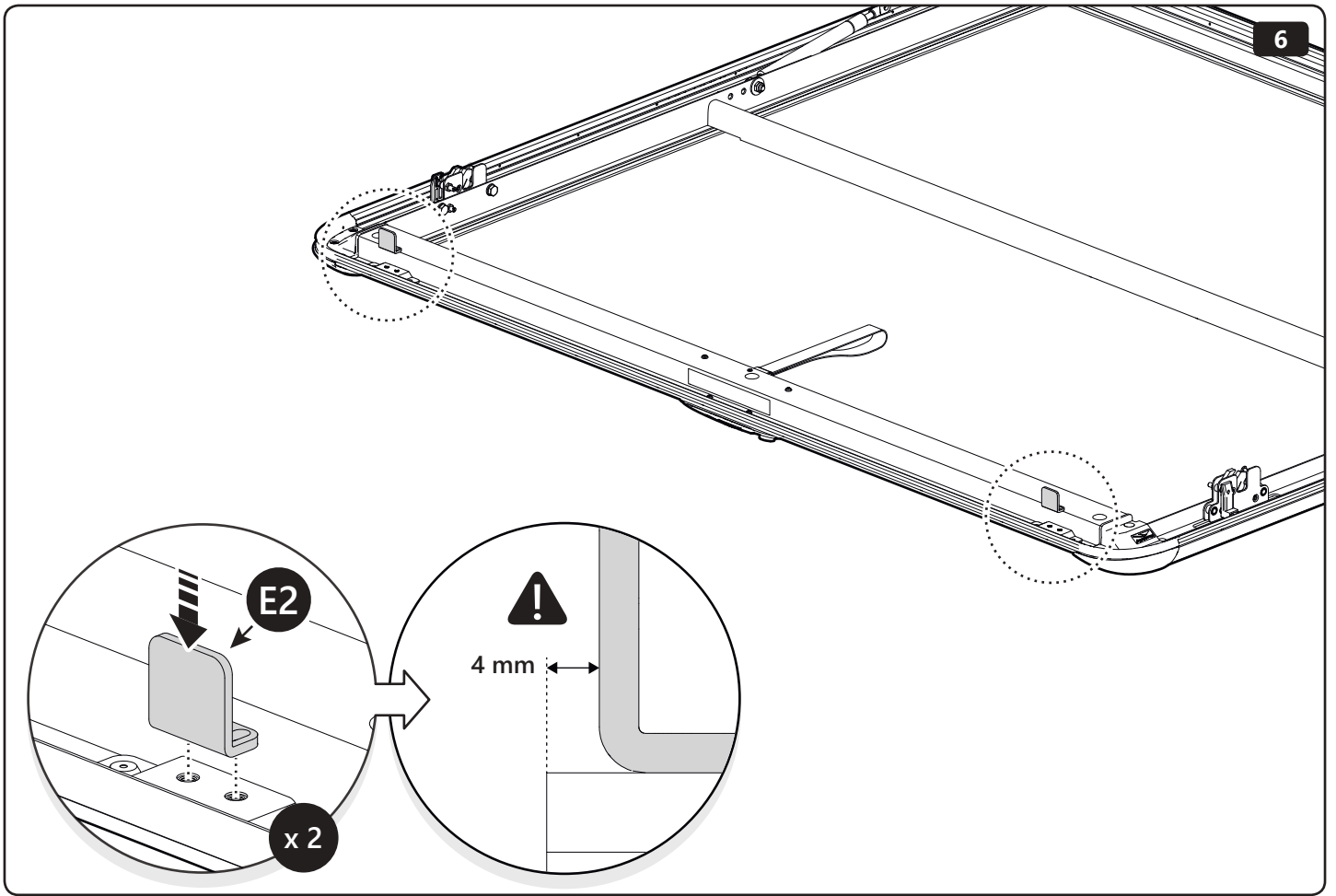


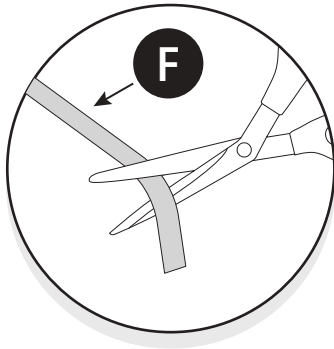
4



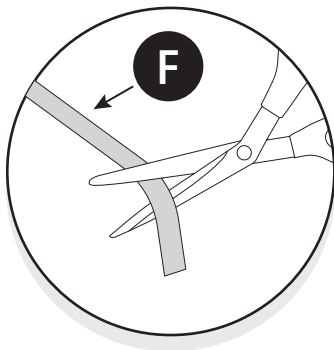
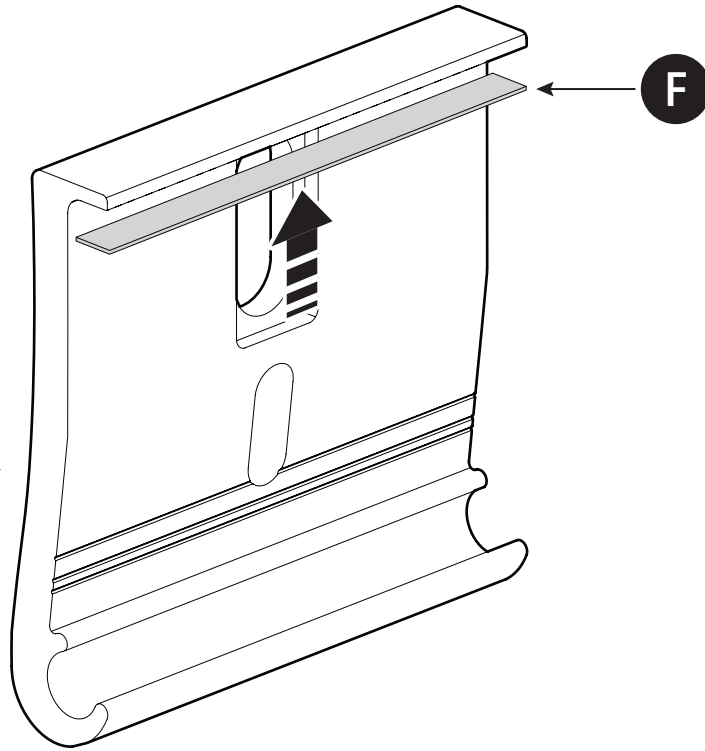
5





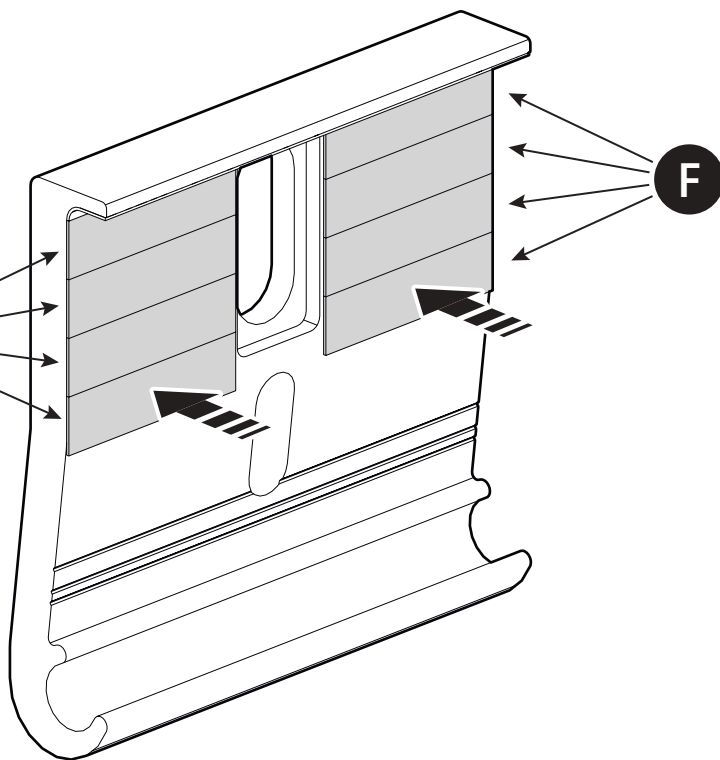


E →

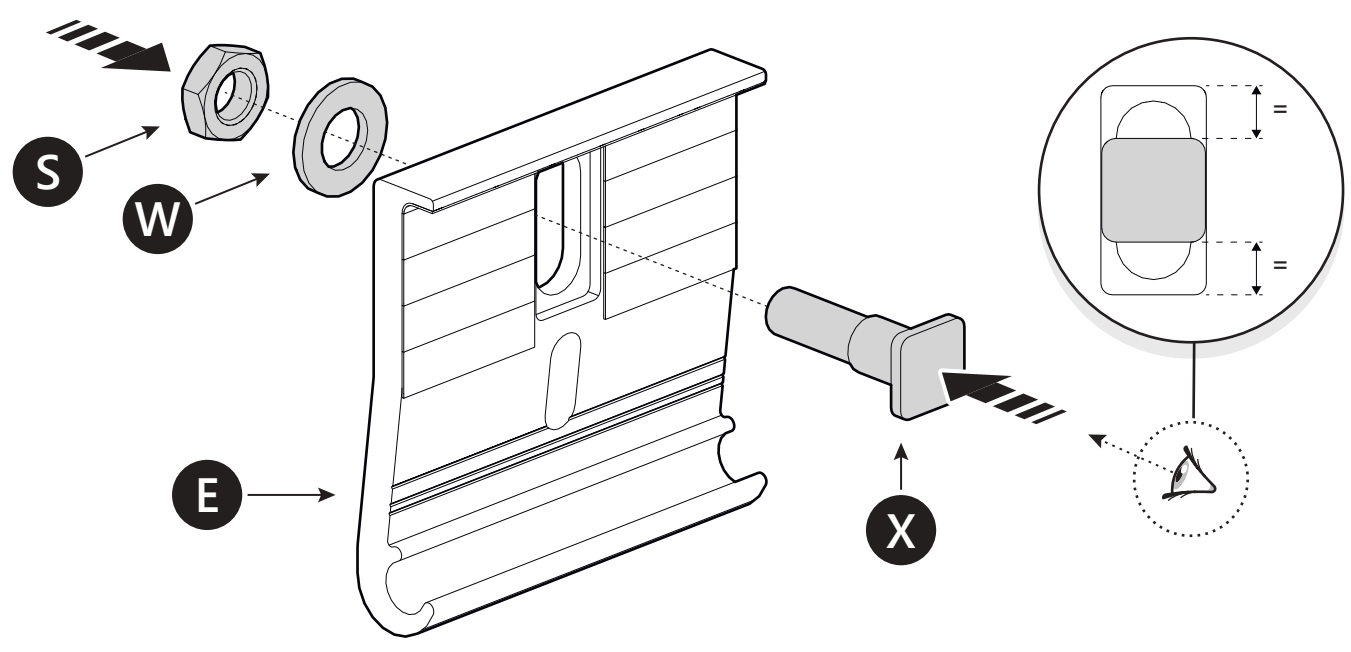


F

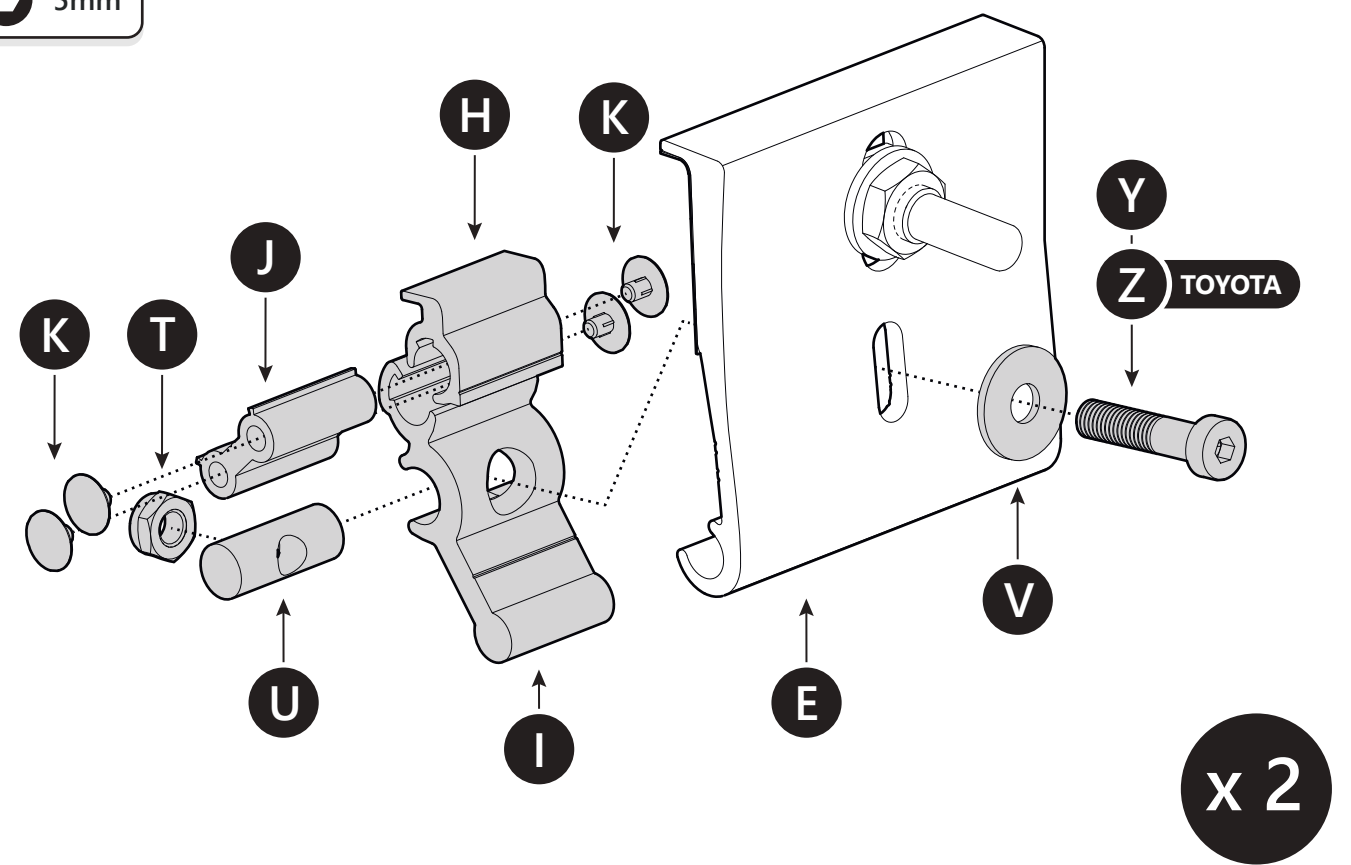
E →



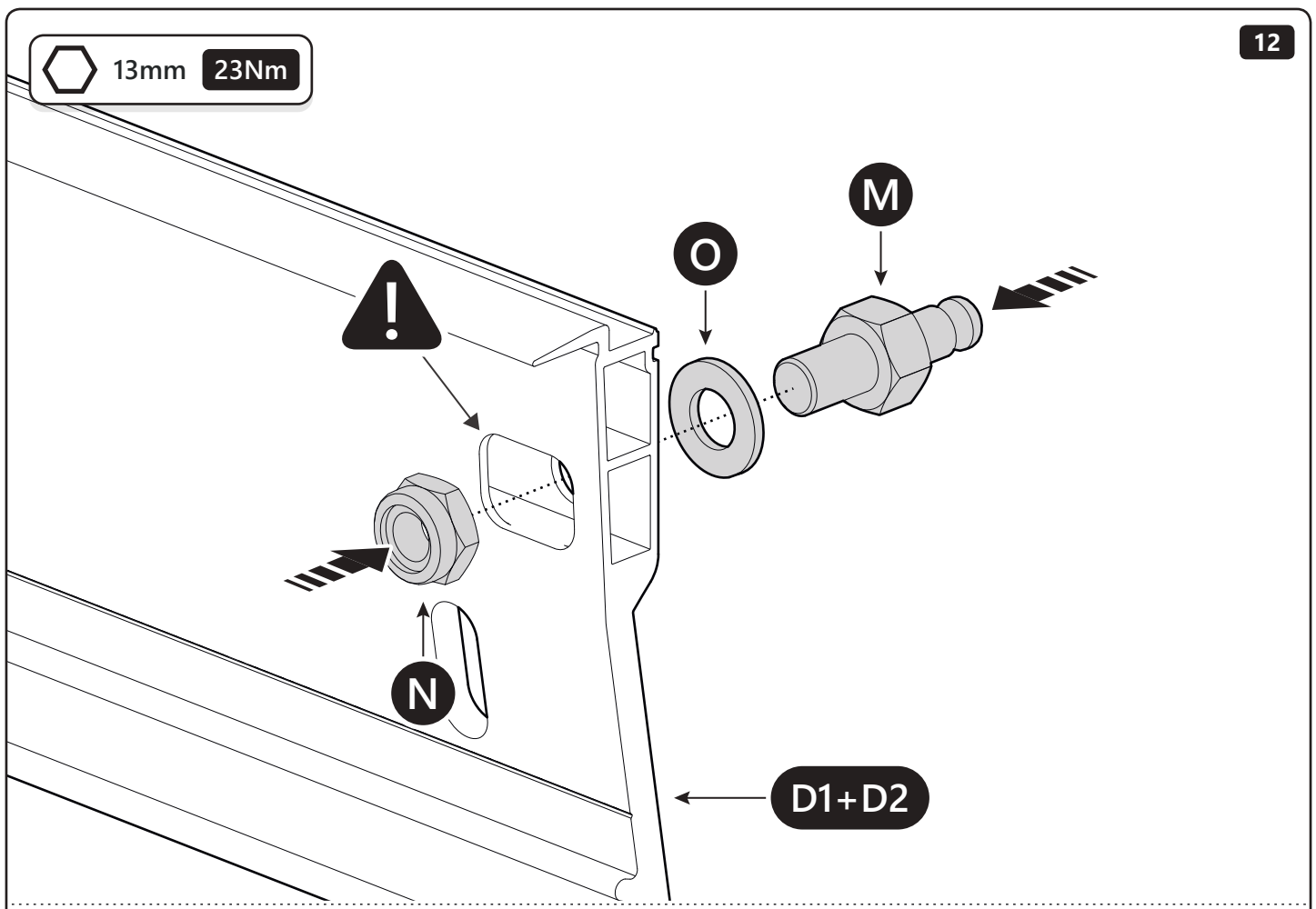
19mm



5mm

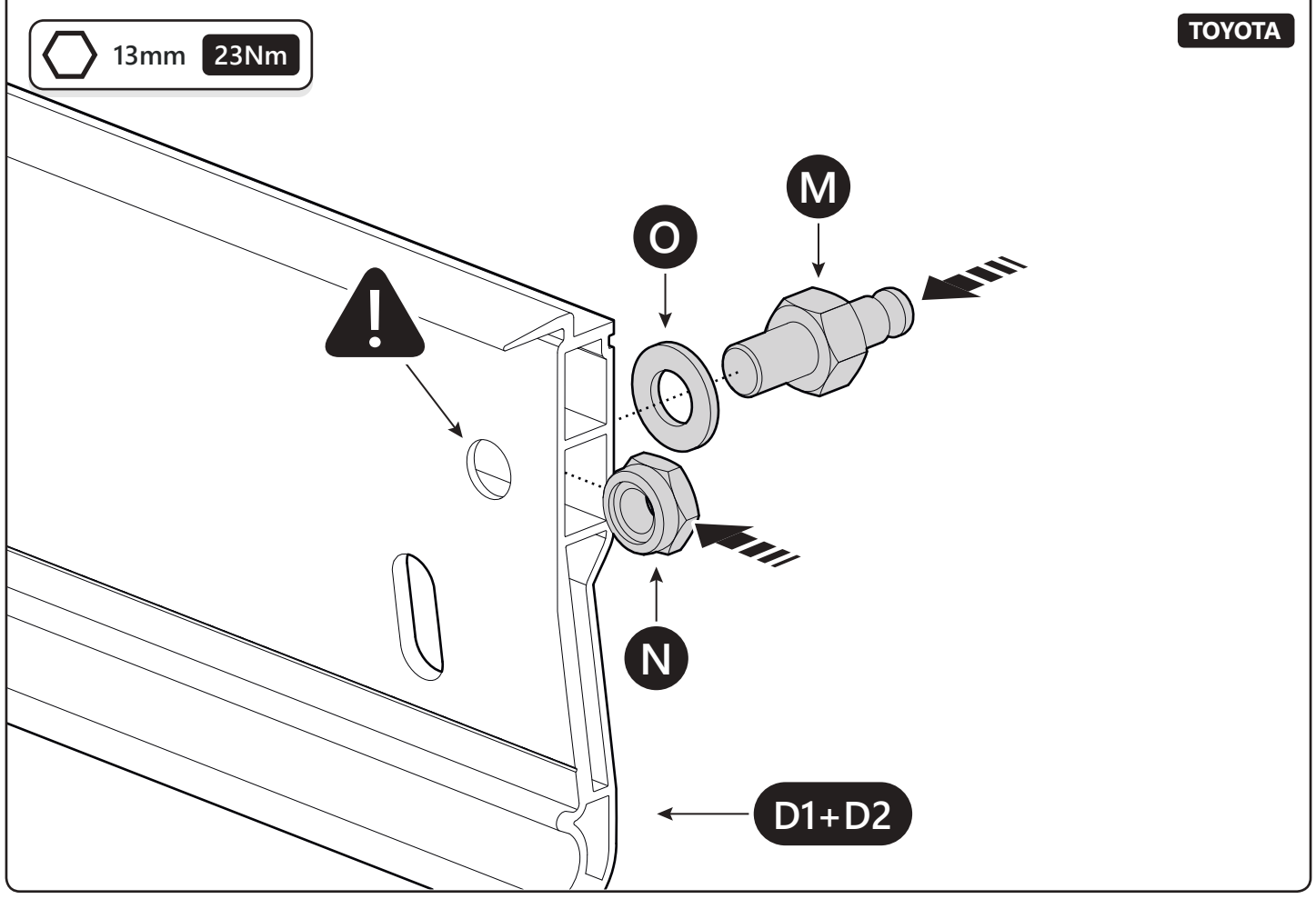


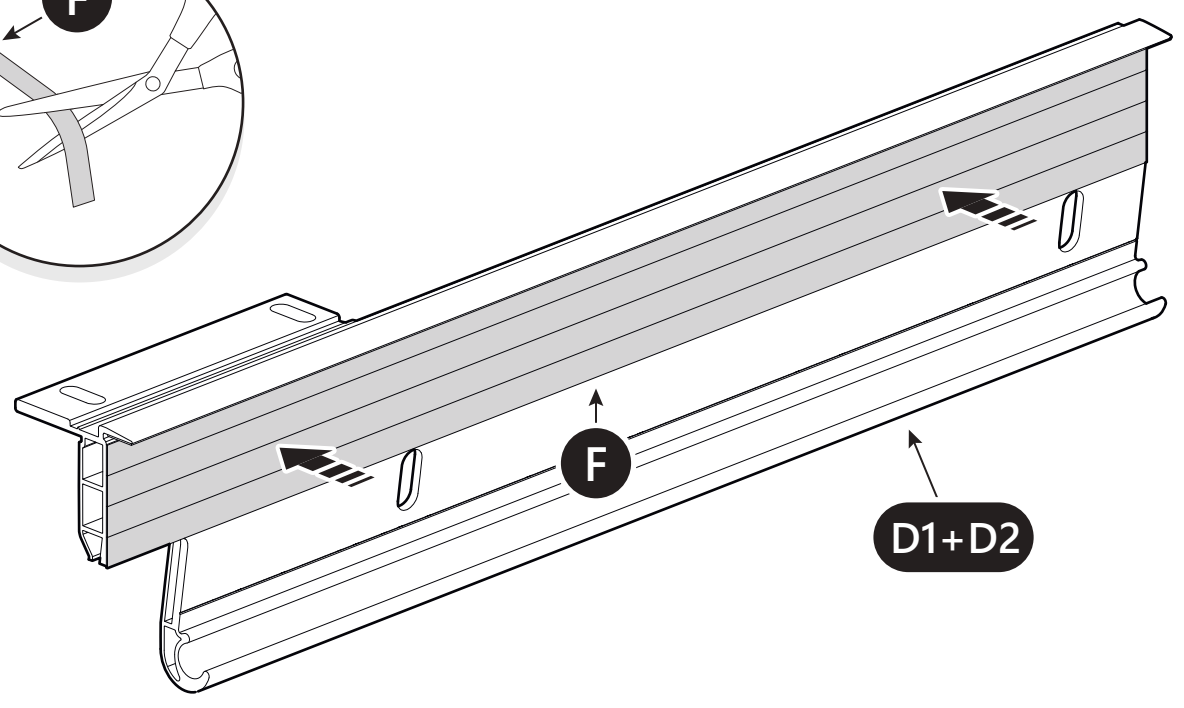
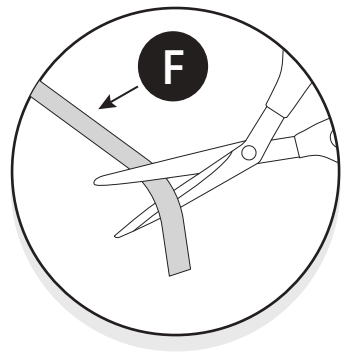
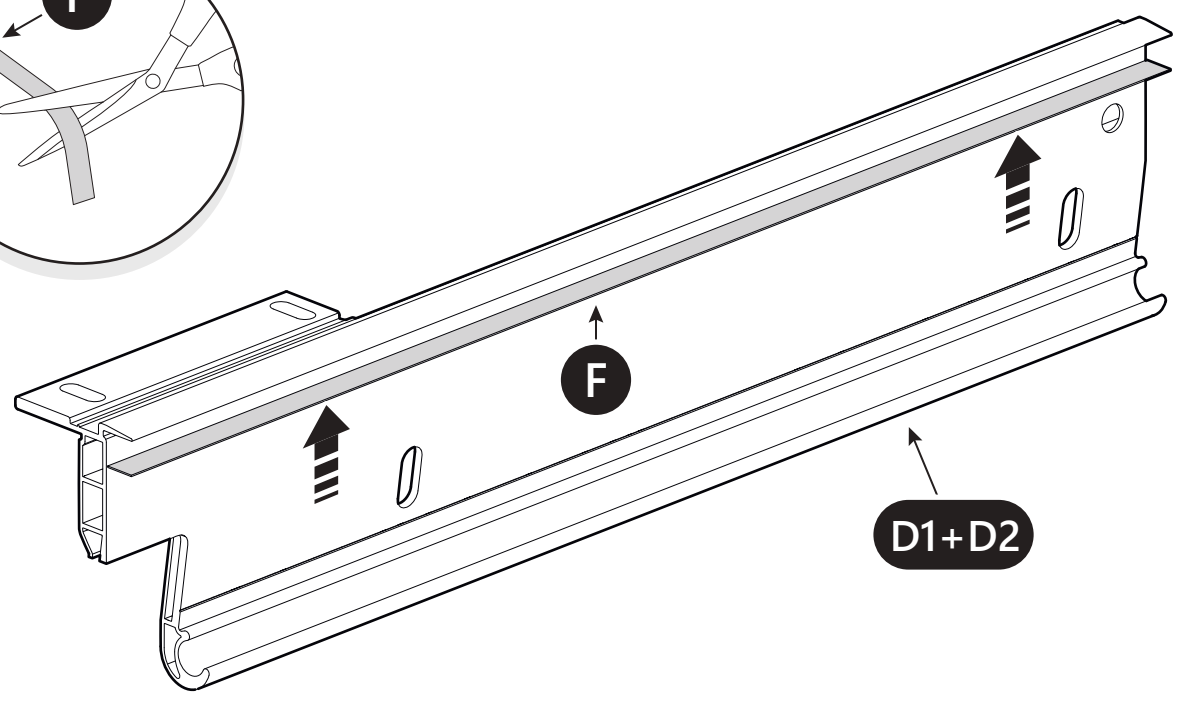
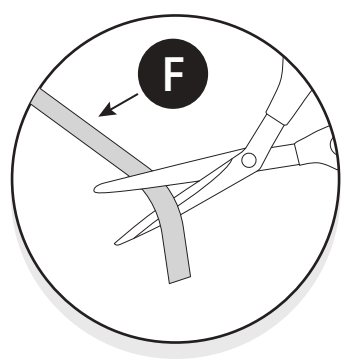
13mm 23Nm



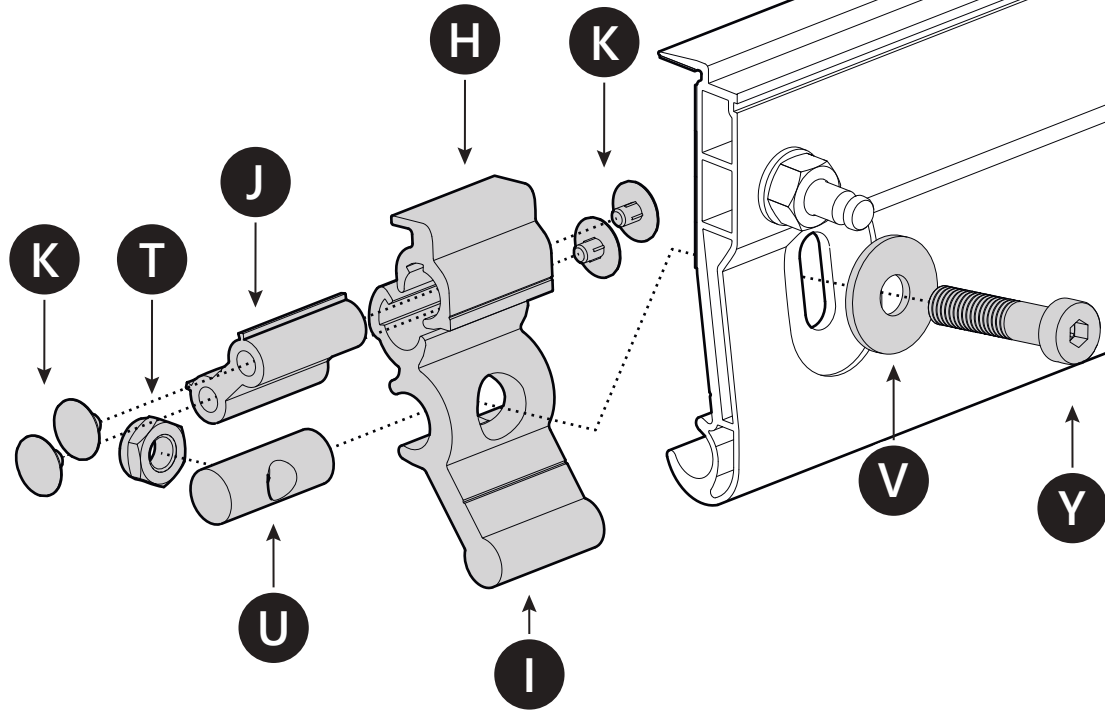
TOYOTA

13mm 23Nm

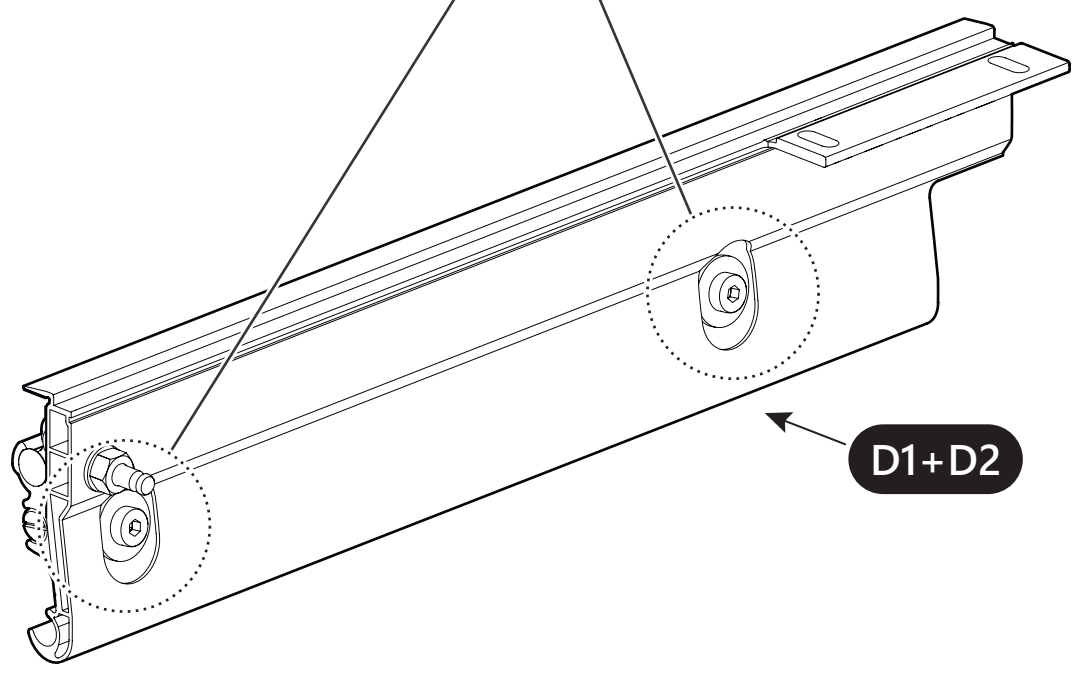


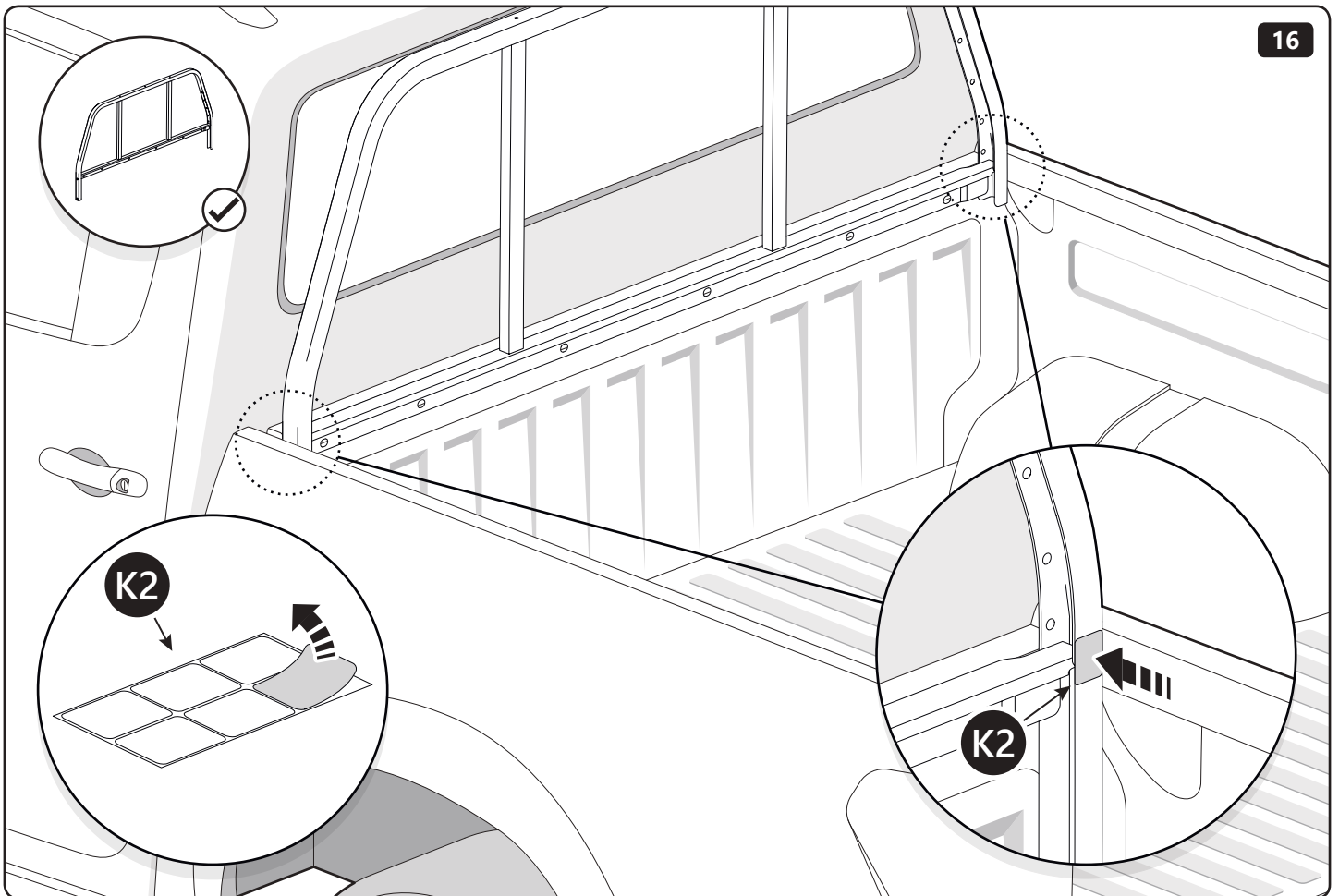
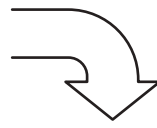
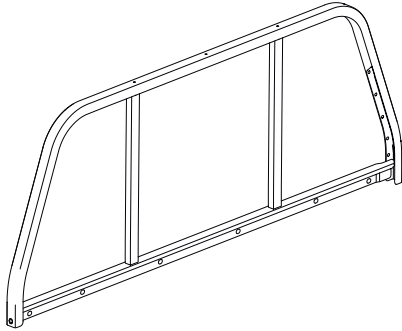
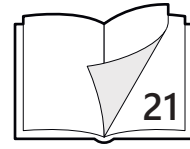
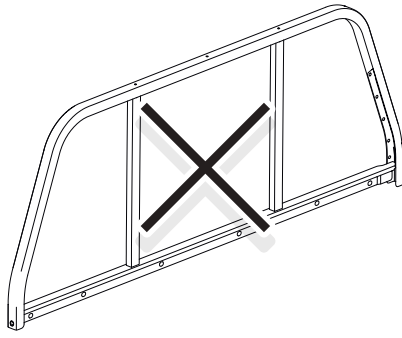


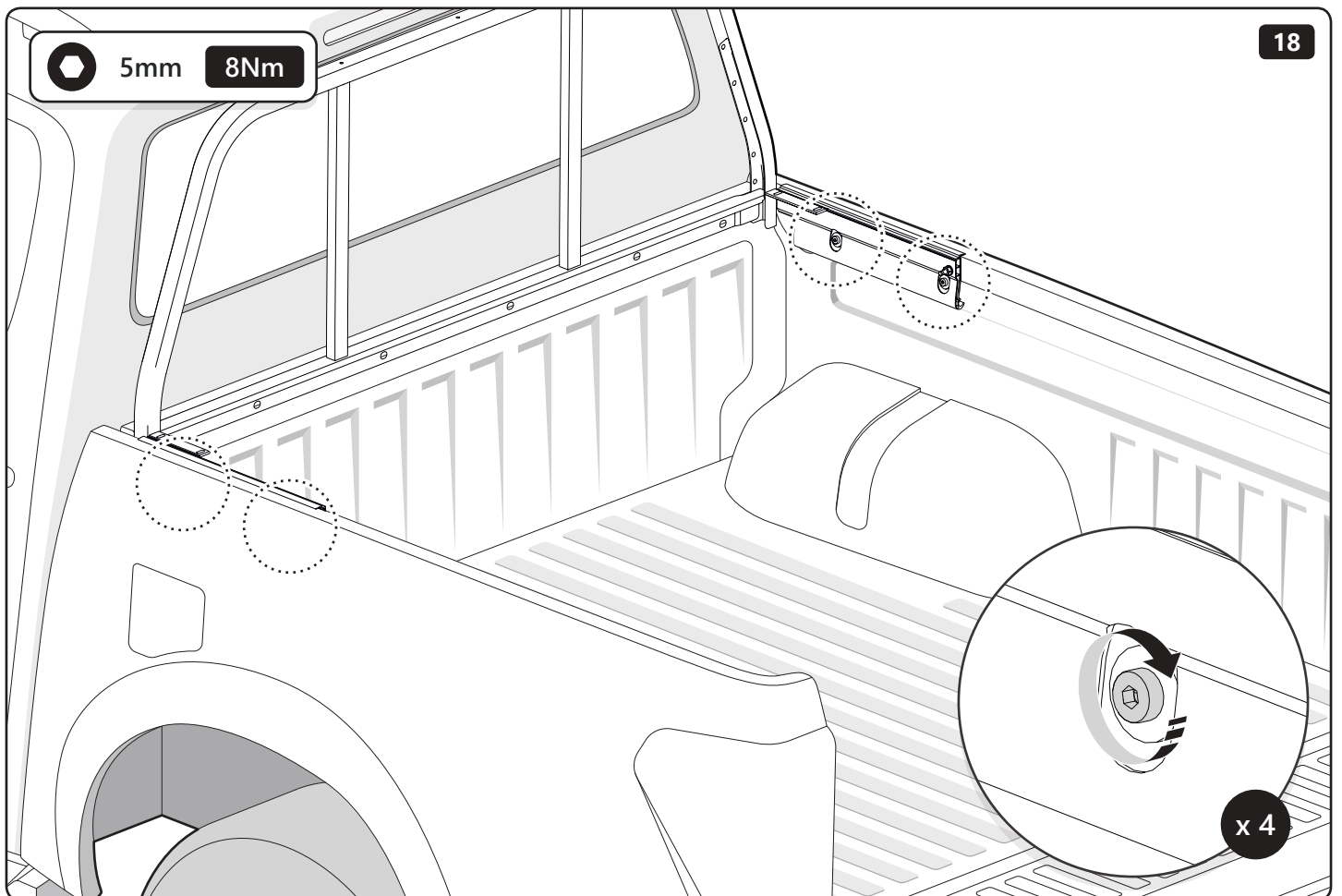
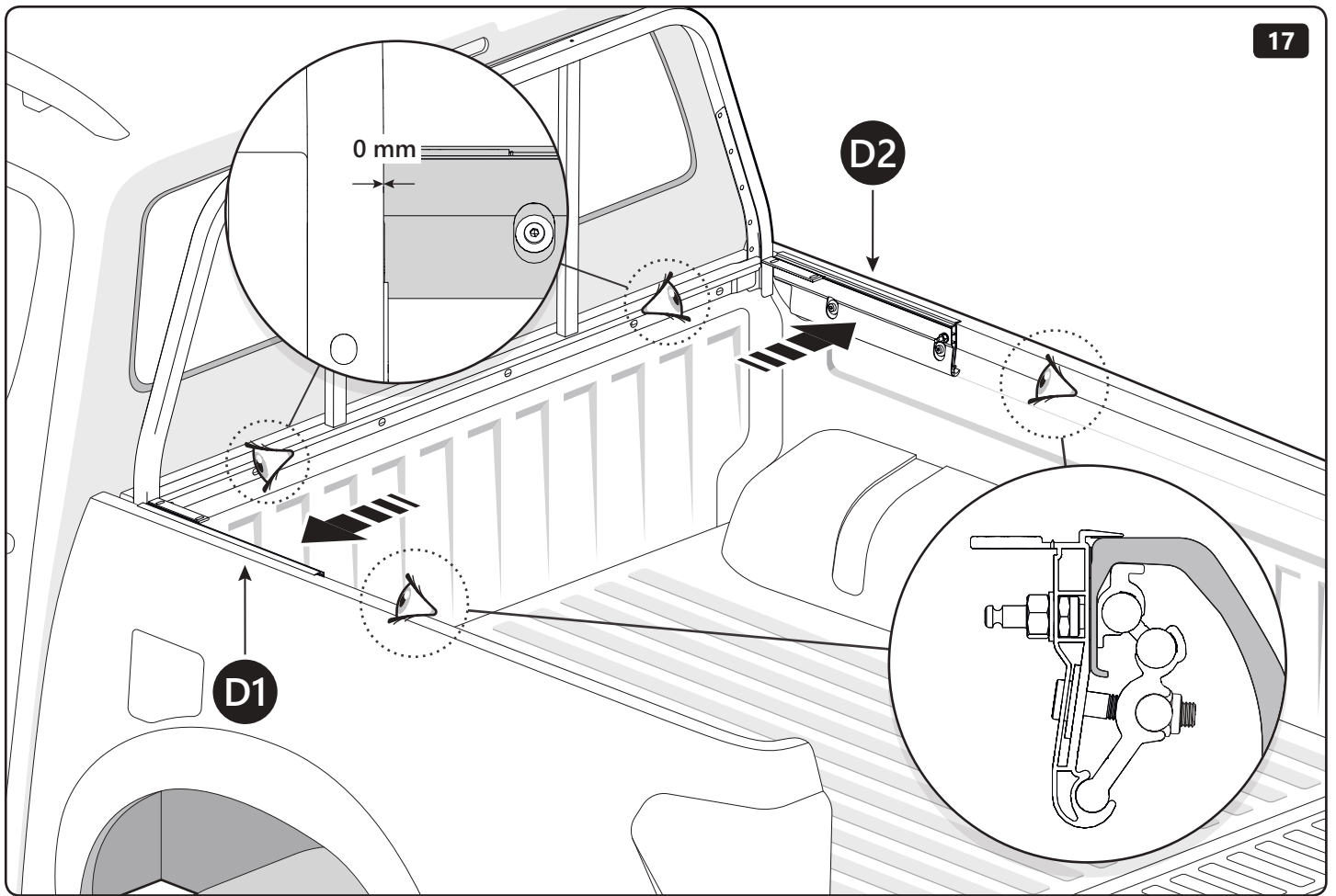
5mm

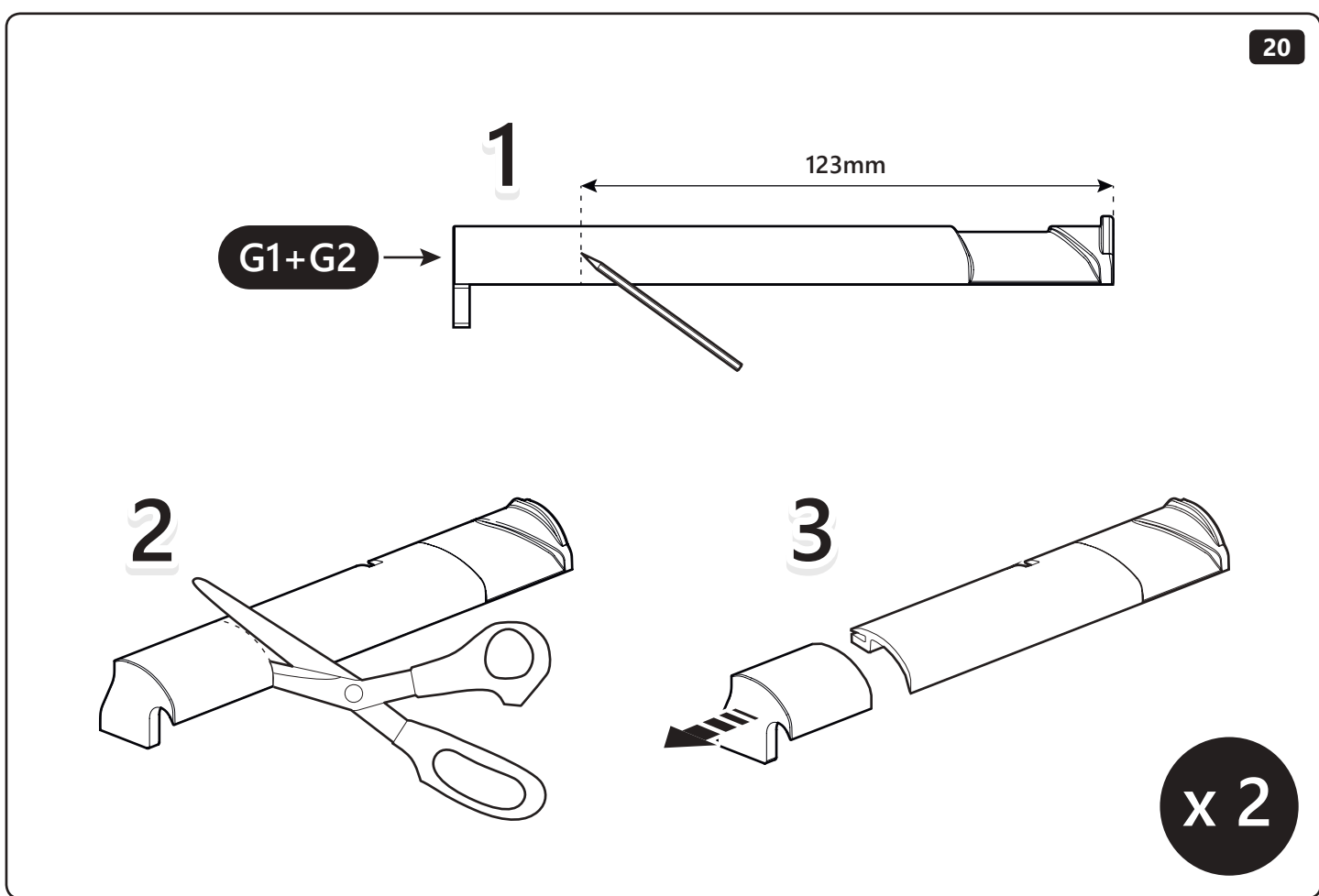
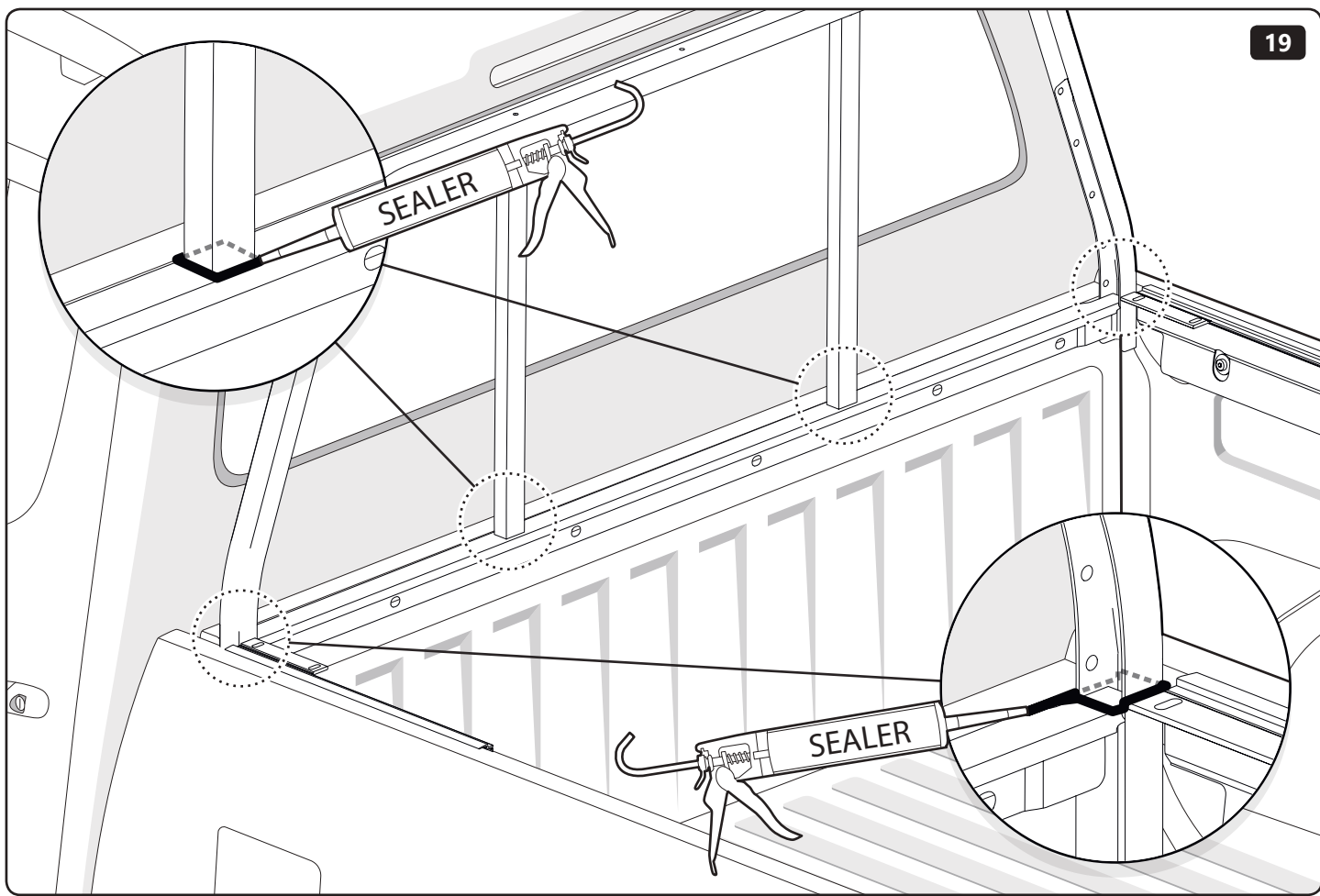


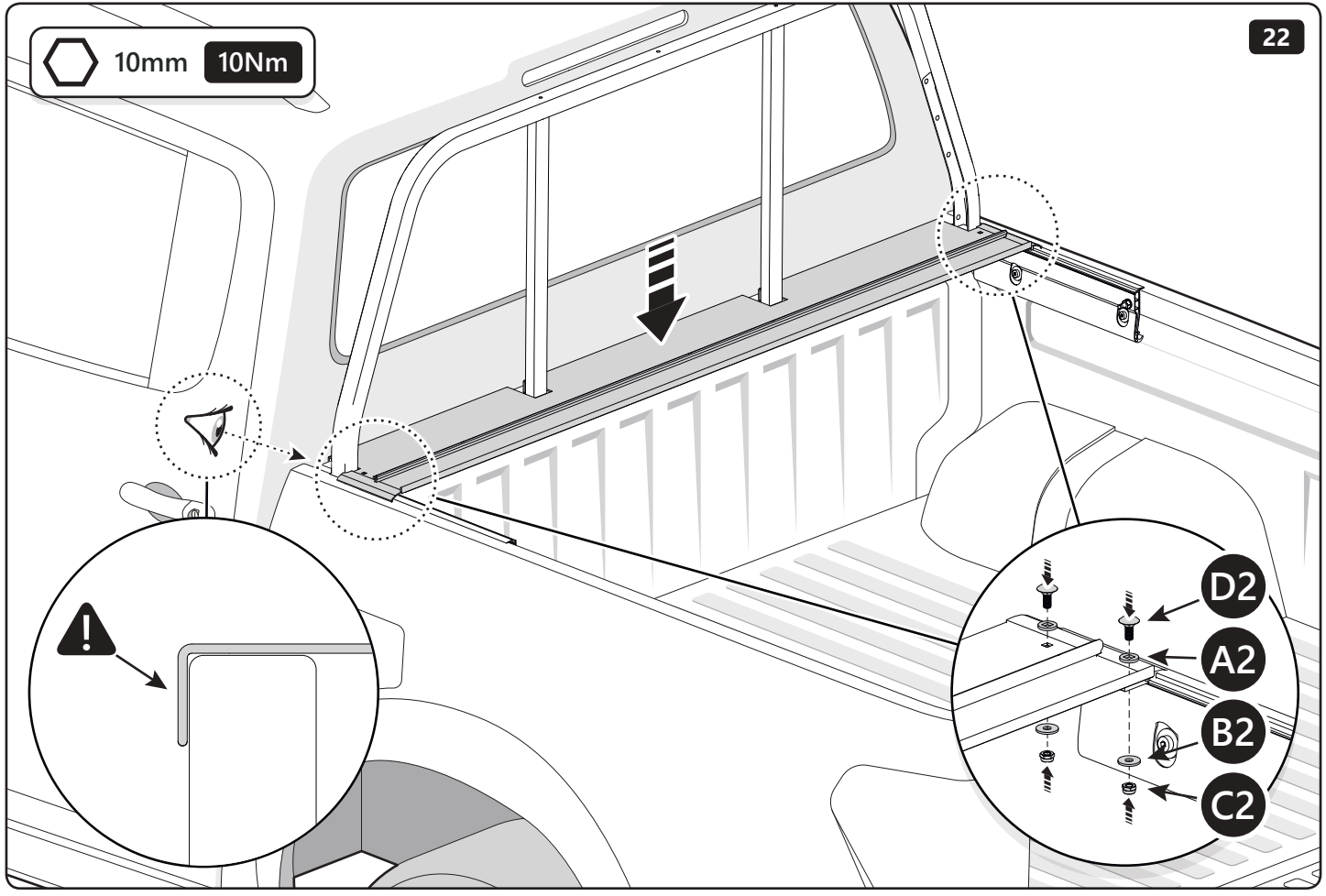
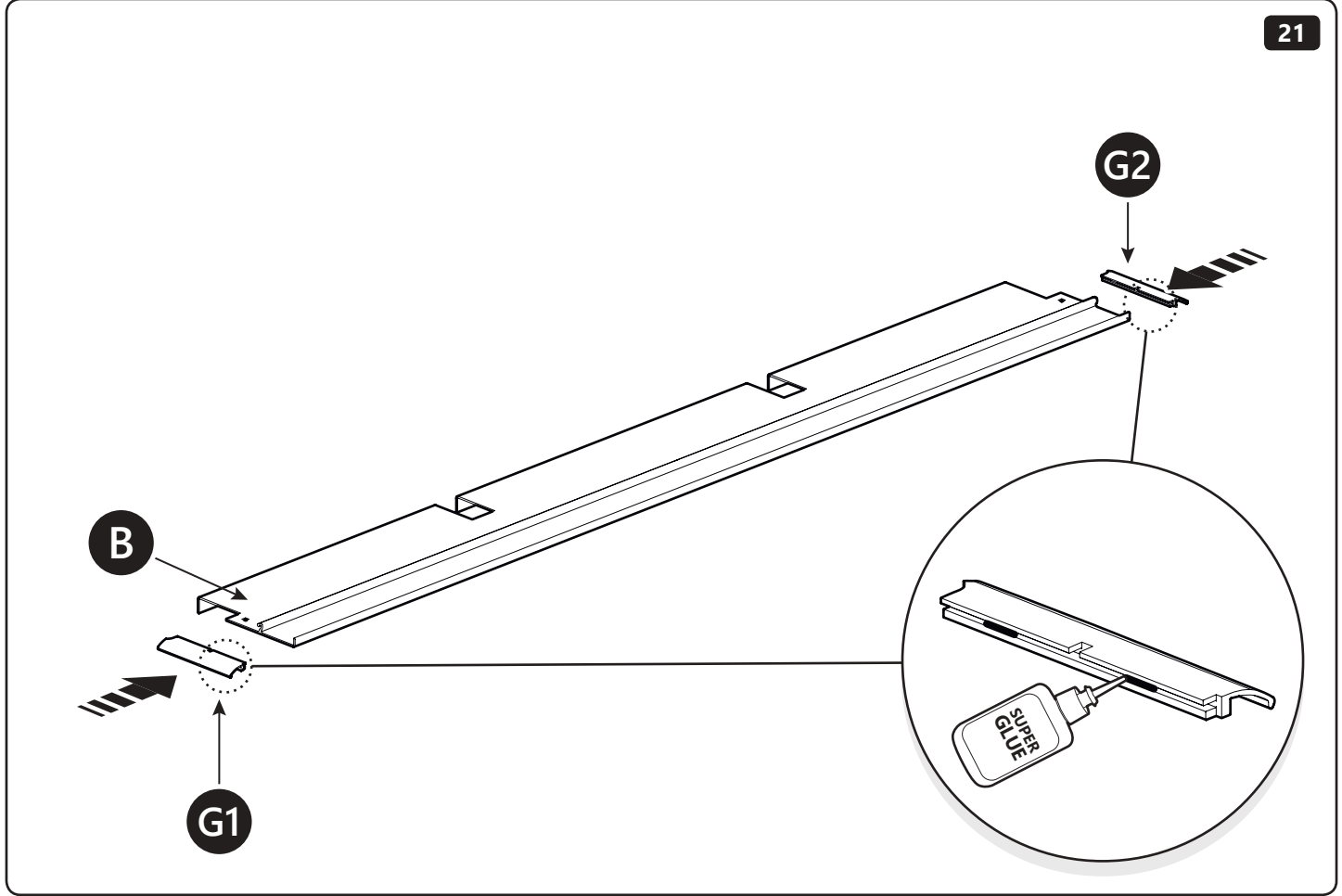
x 2

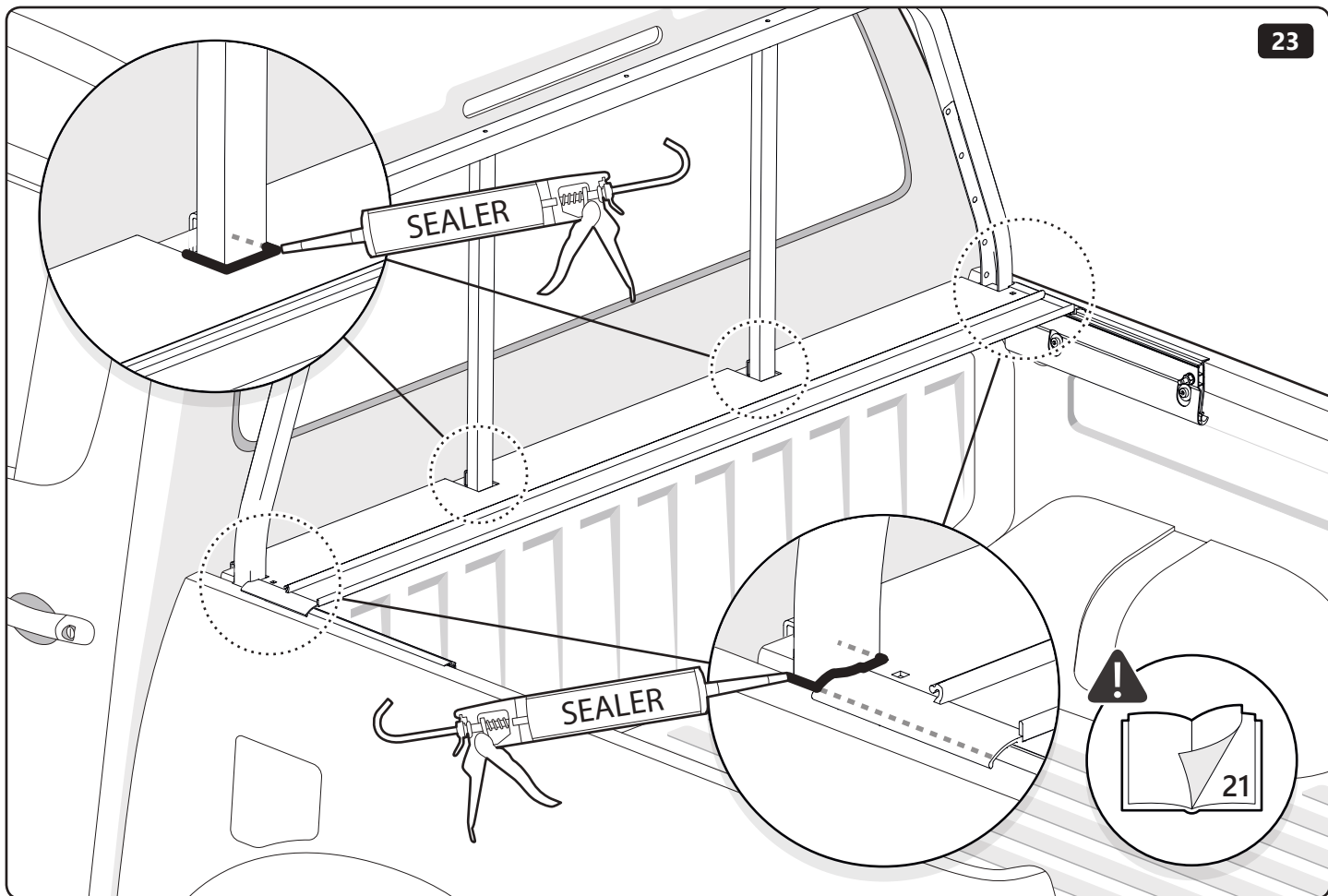


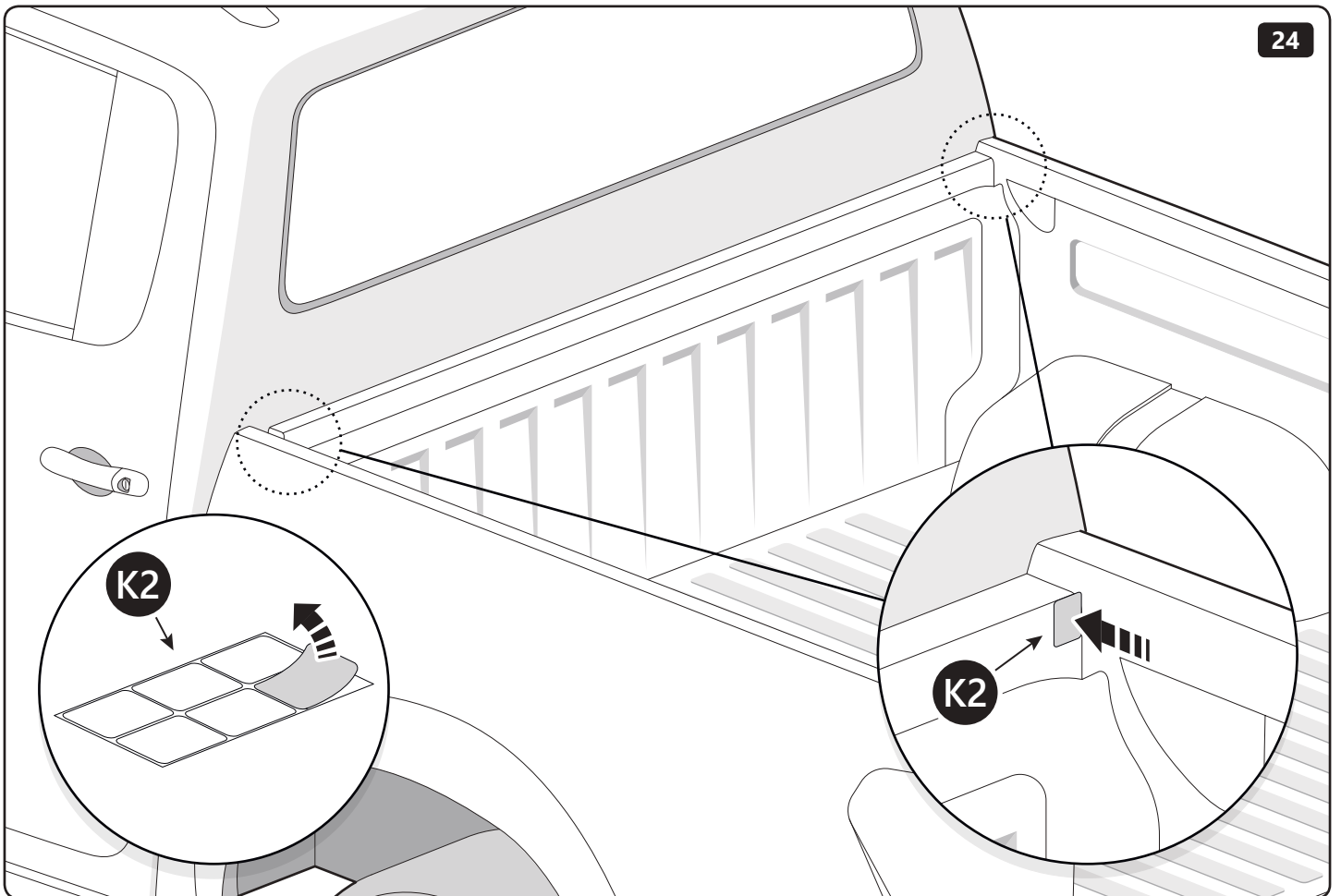
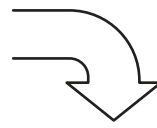
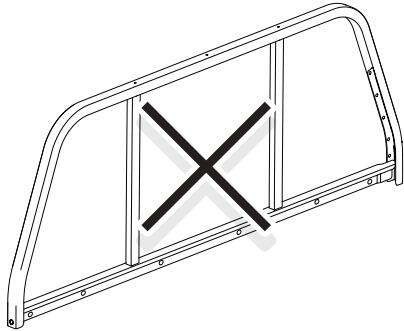
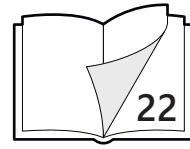
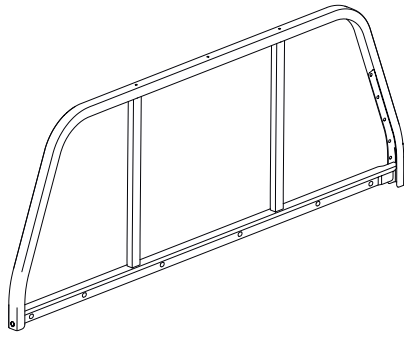


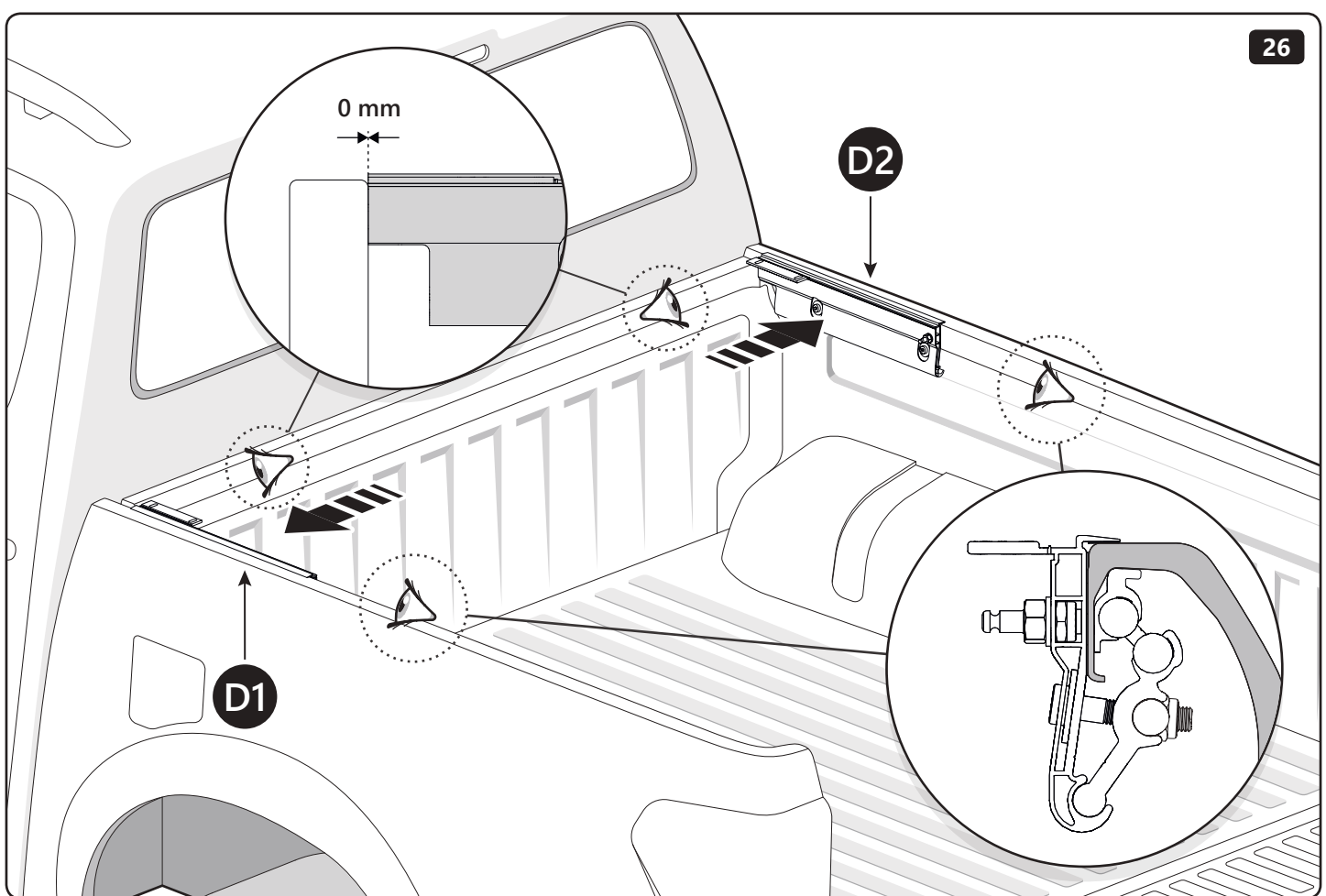
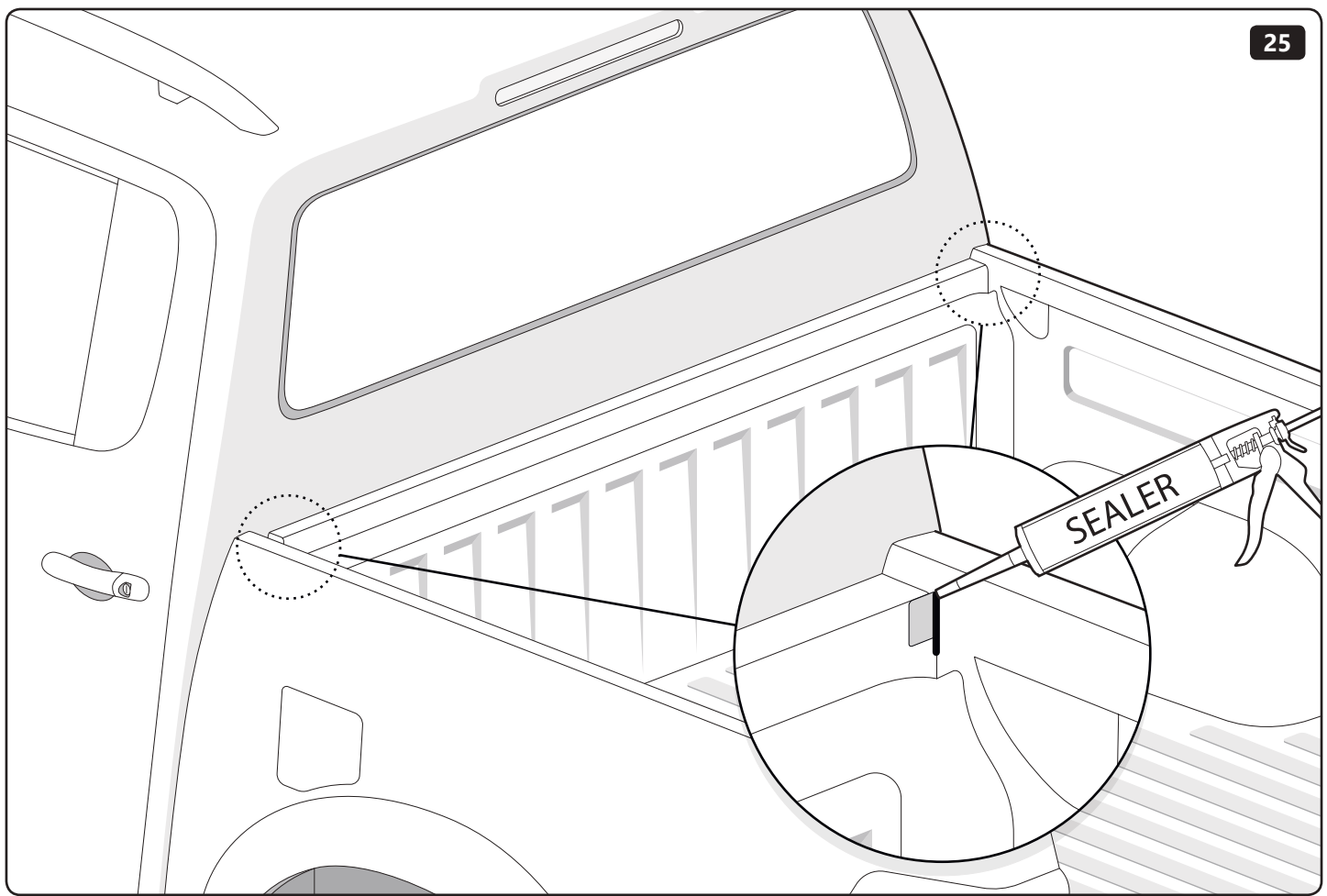


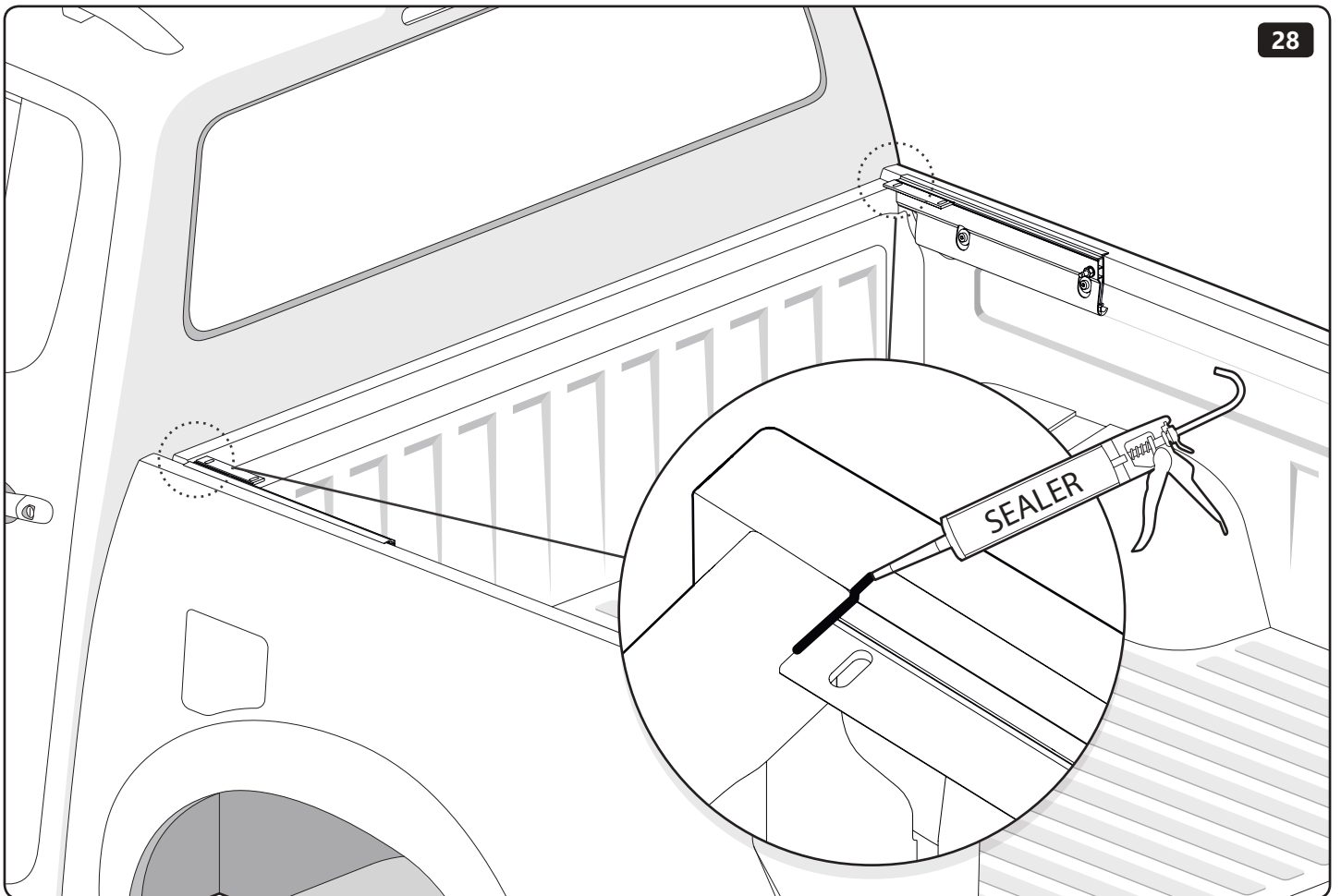
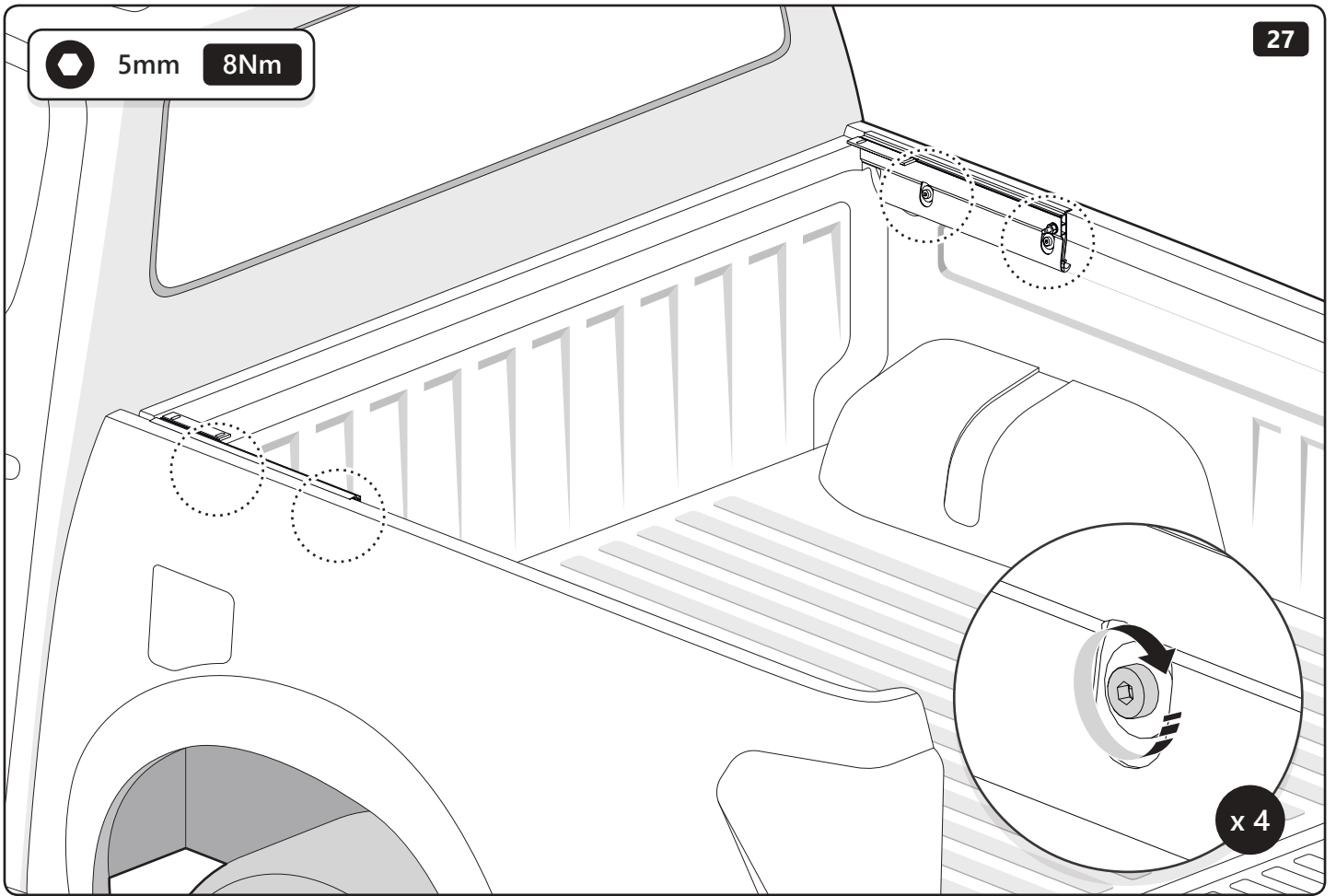


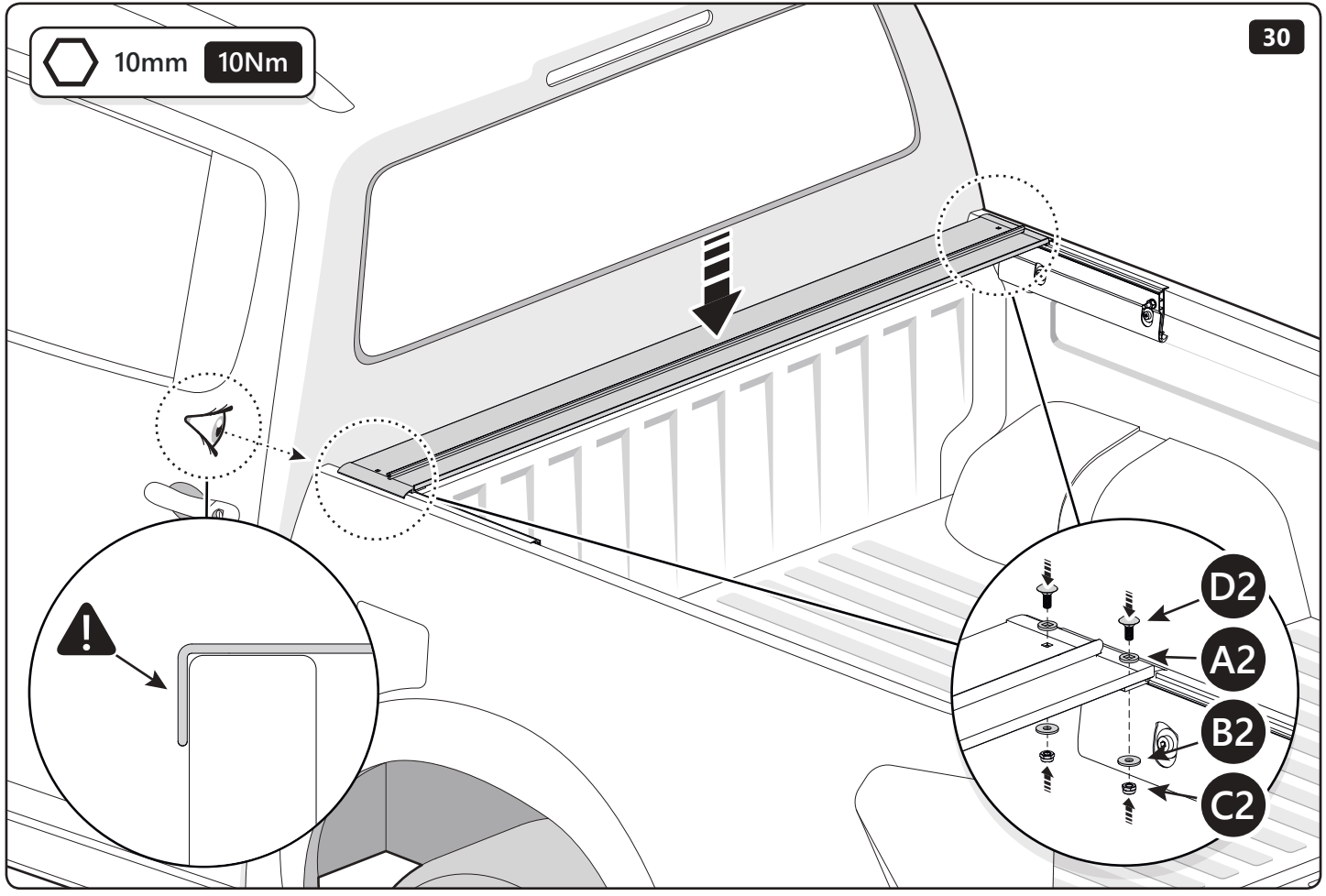
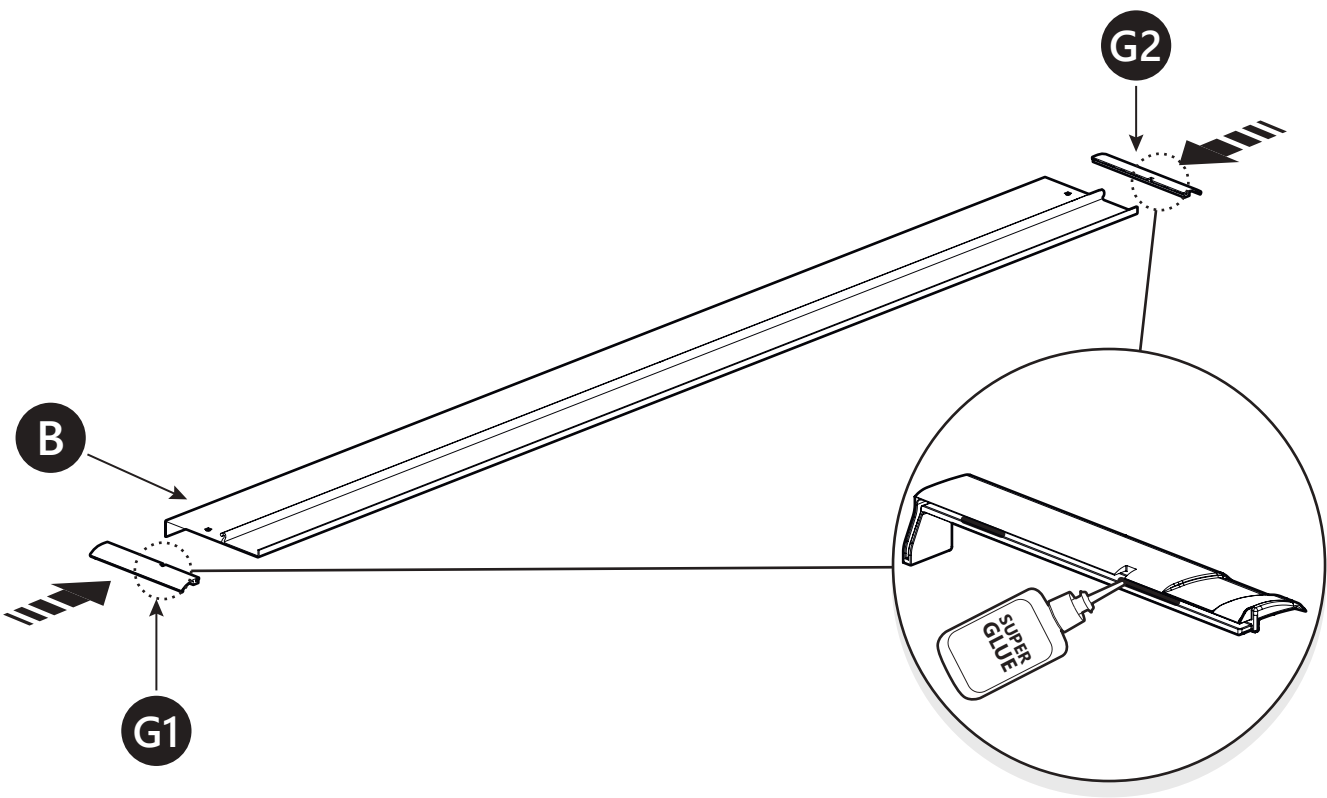


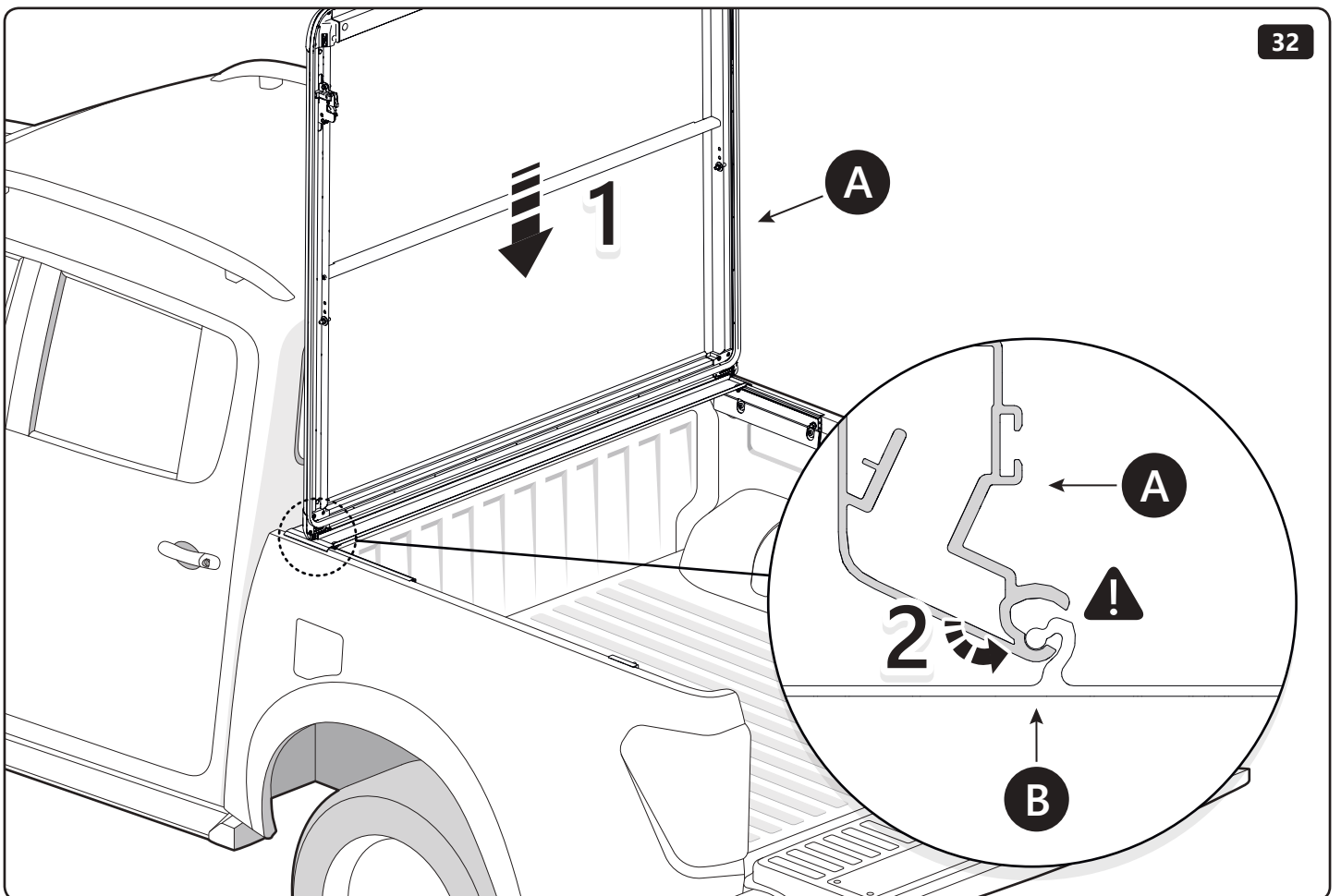
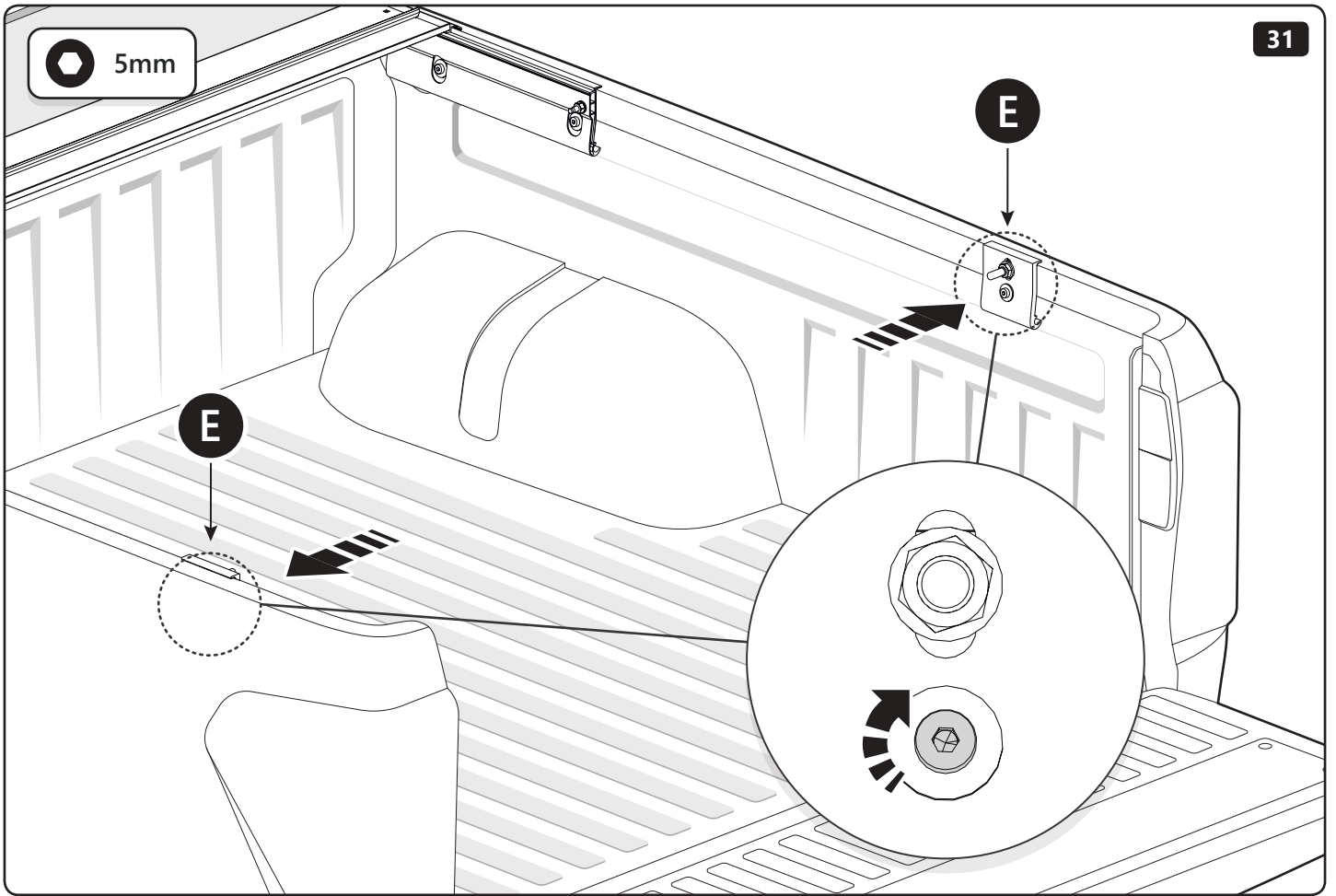


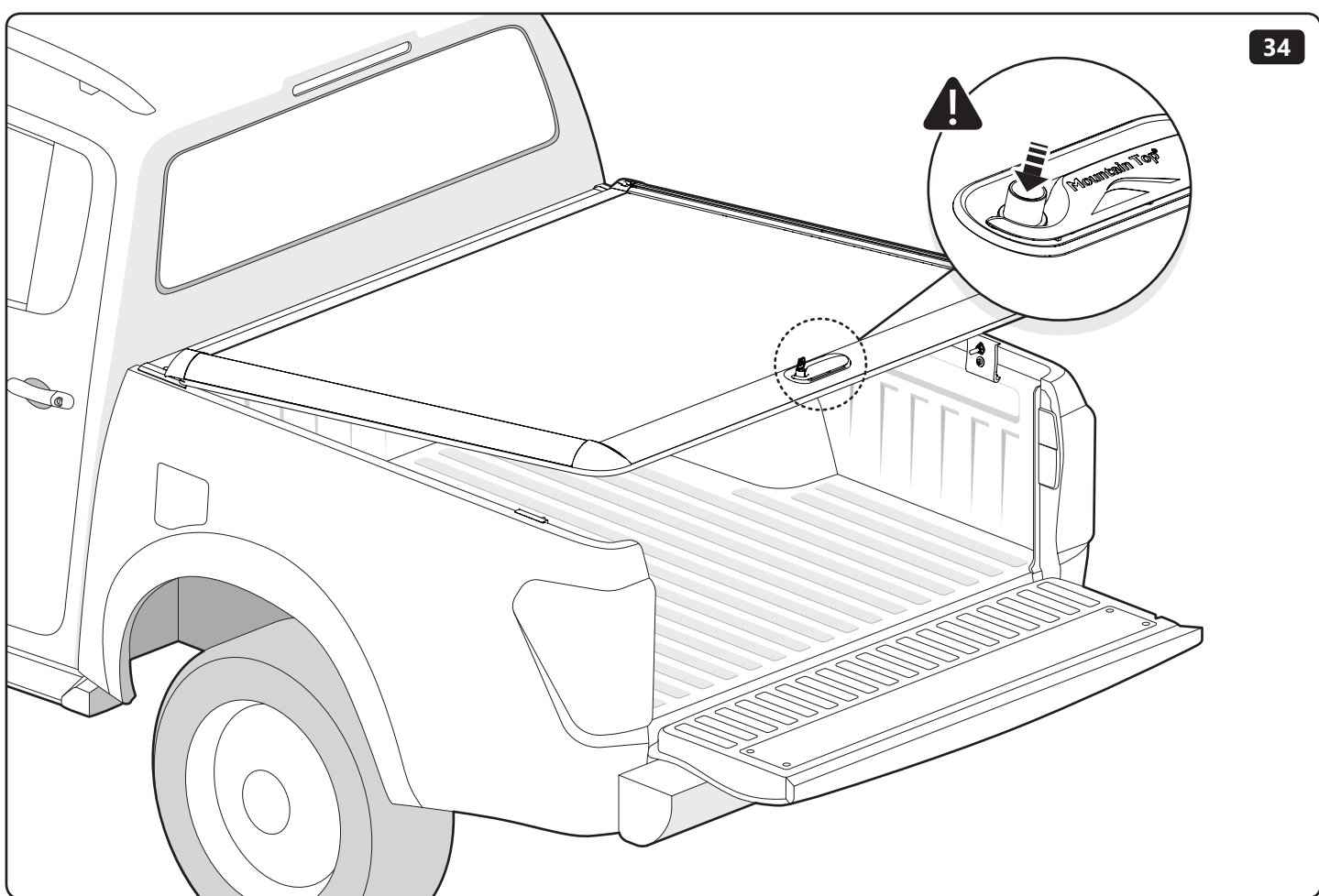
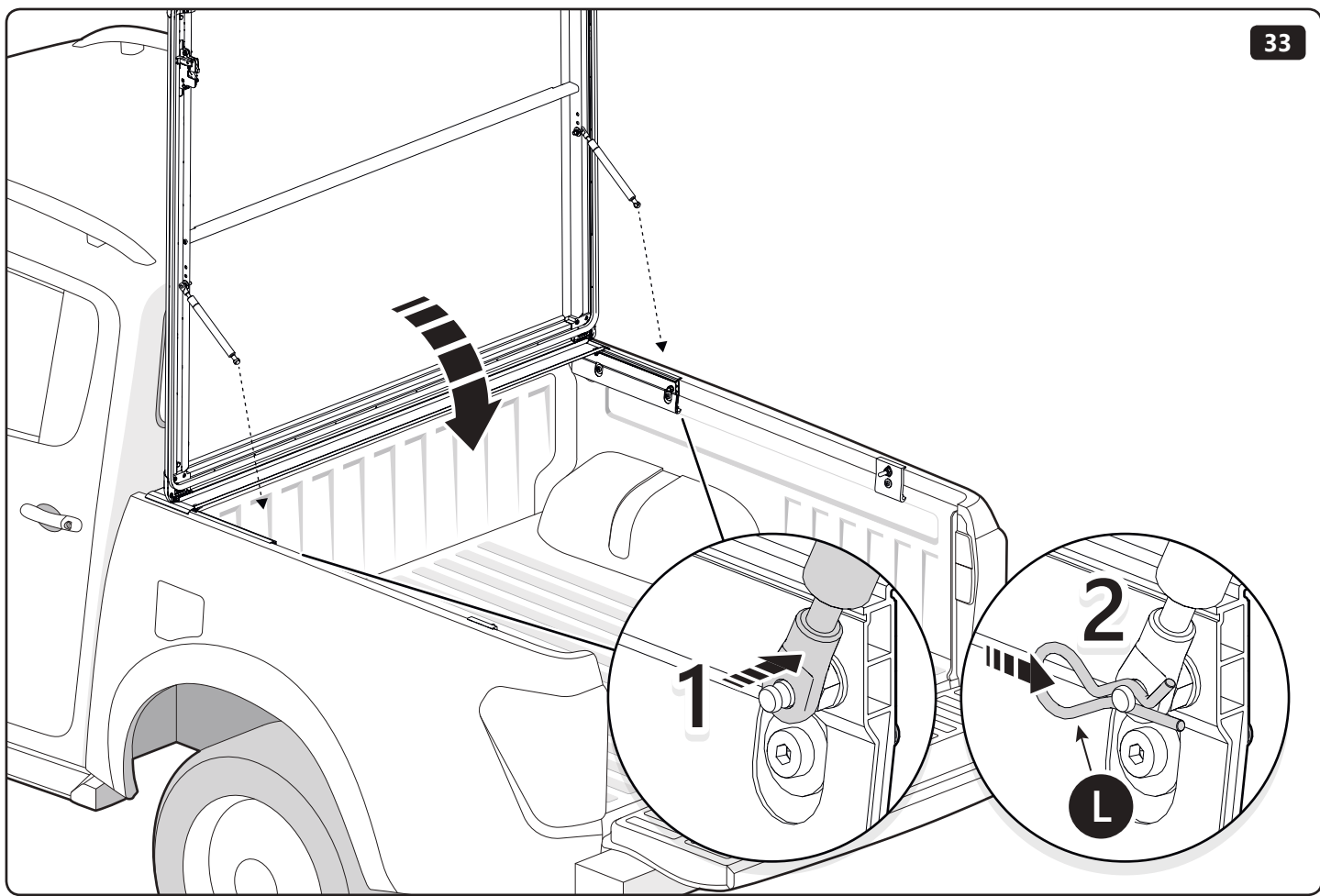




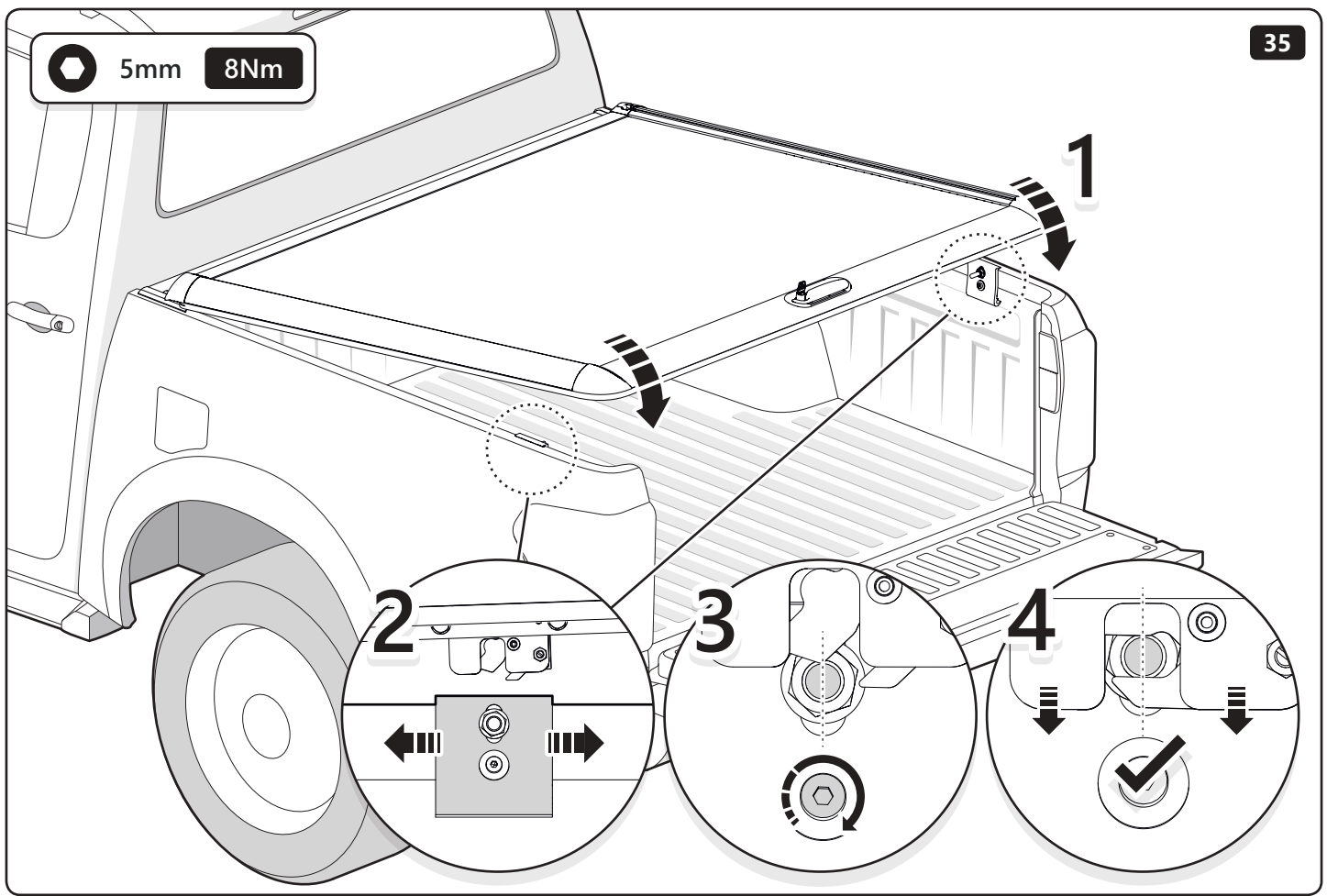




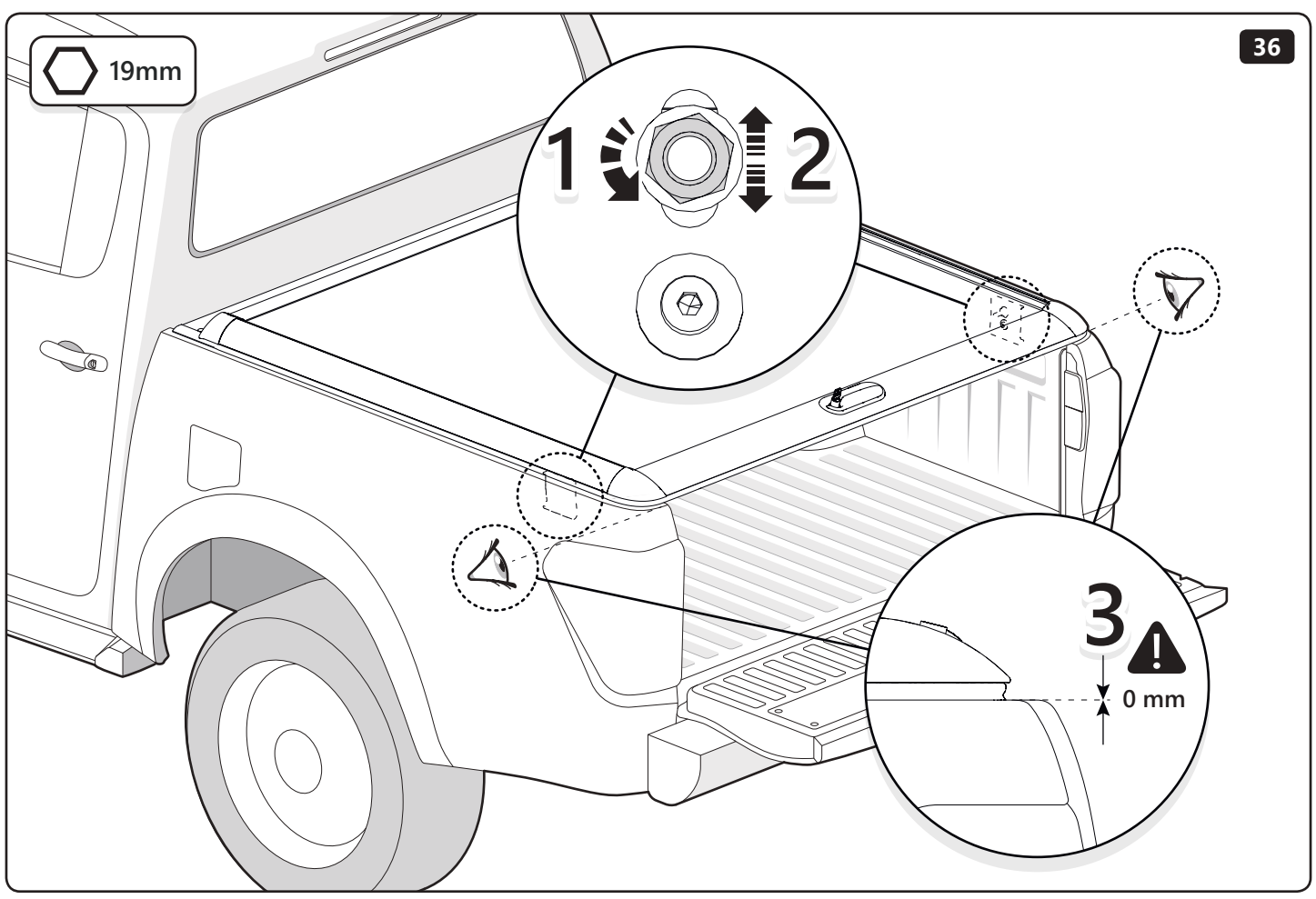




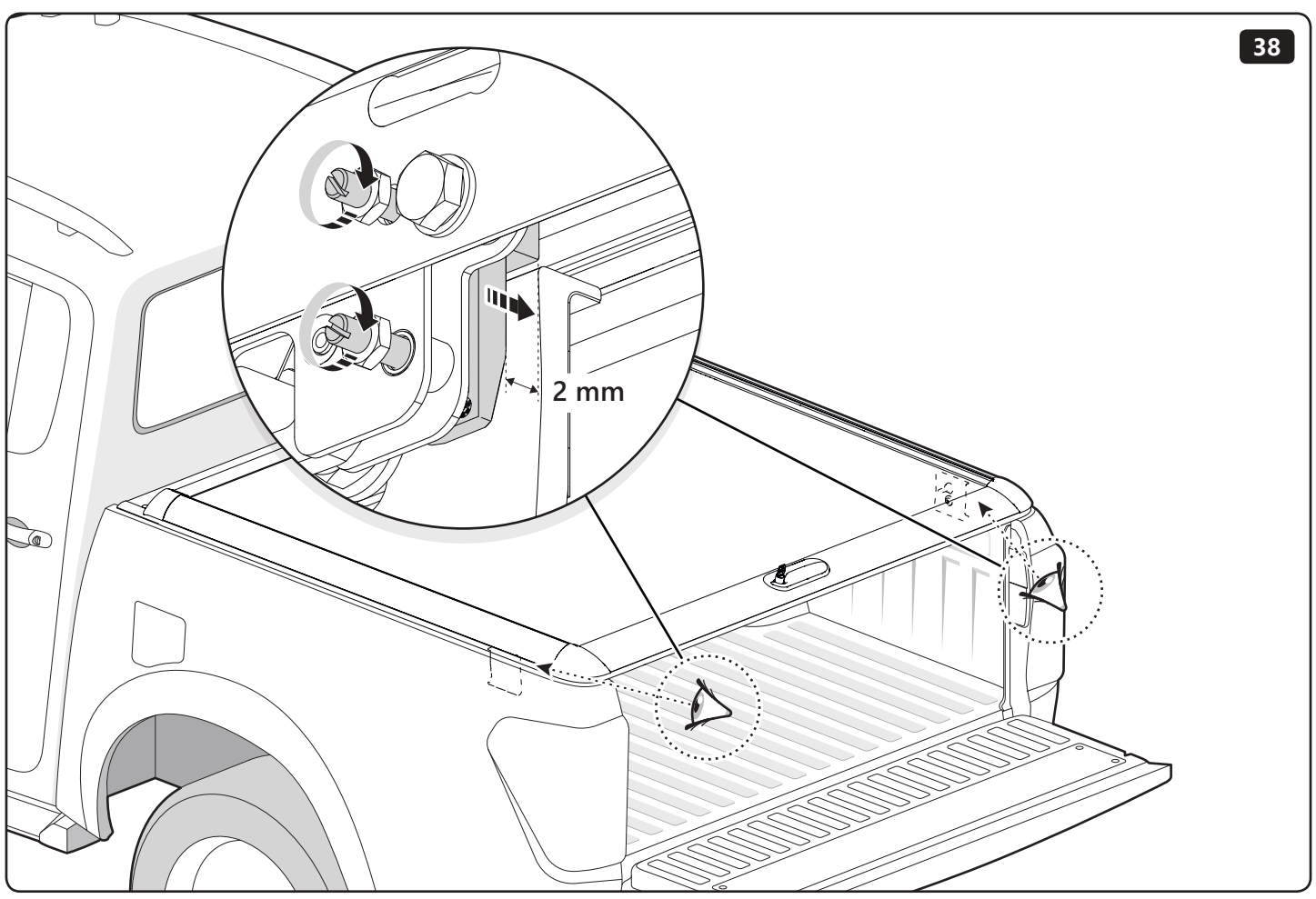
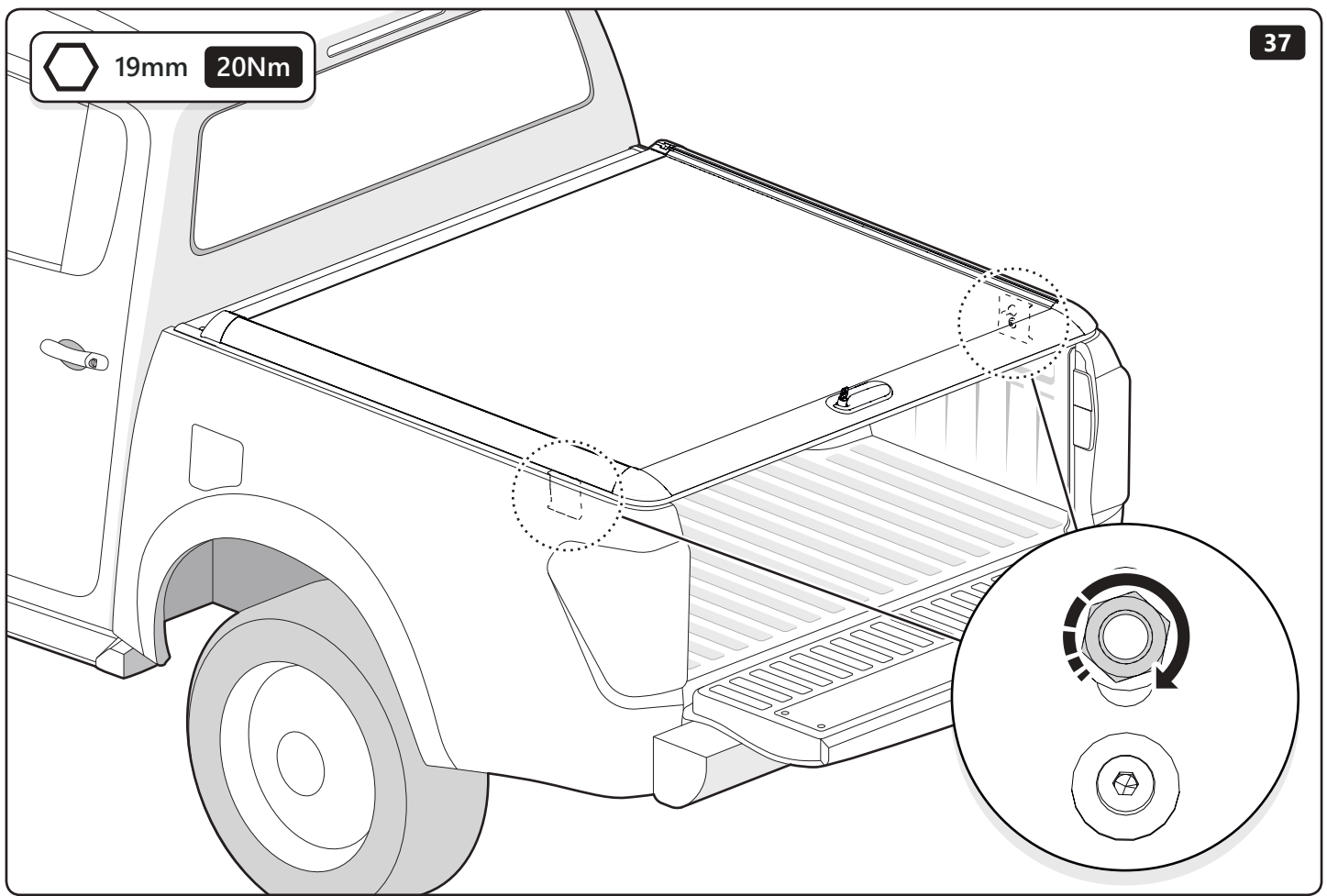
5mm 8Nm

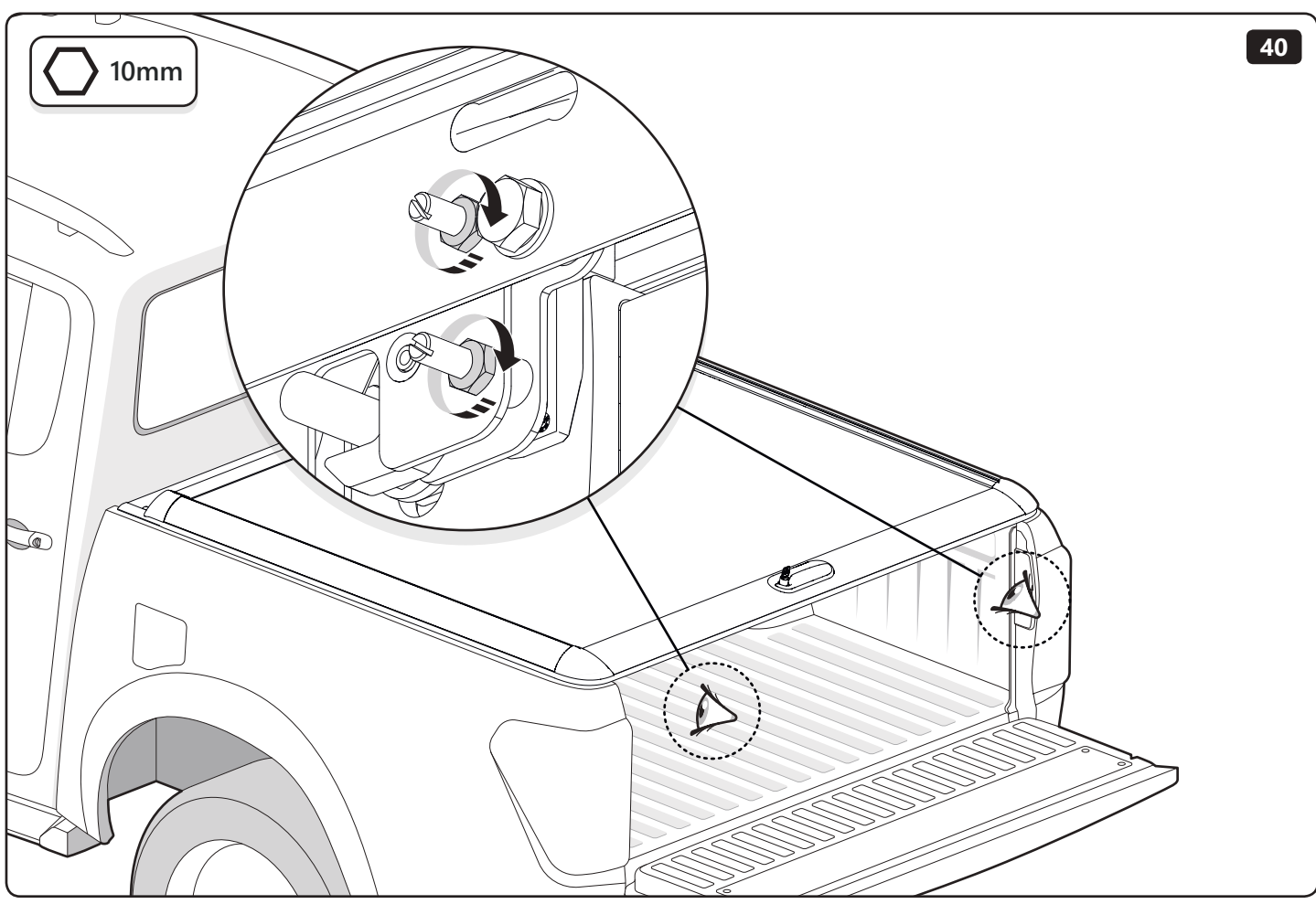
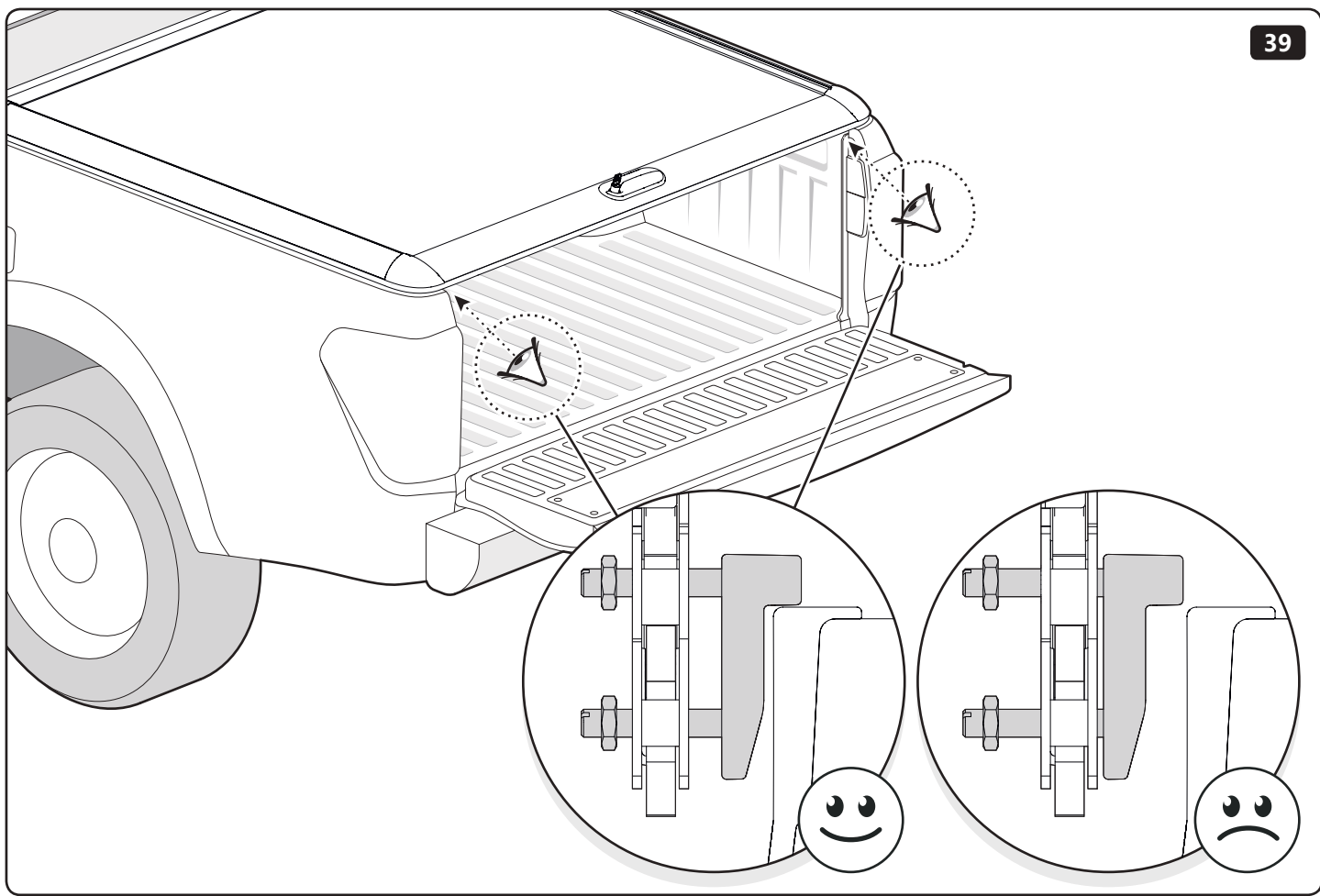


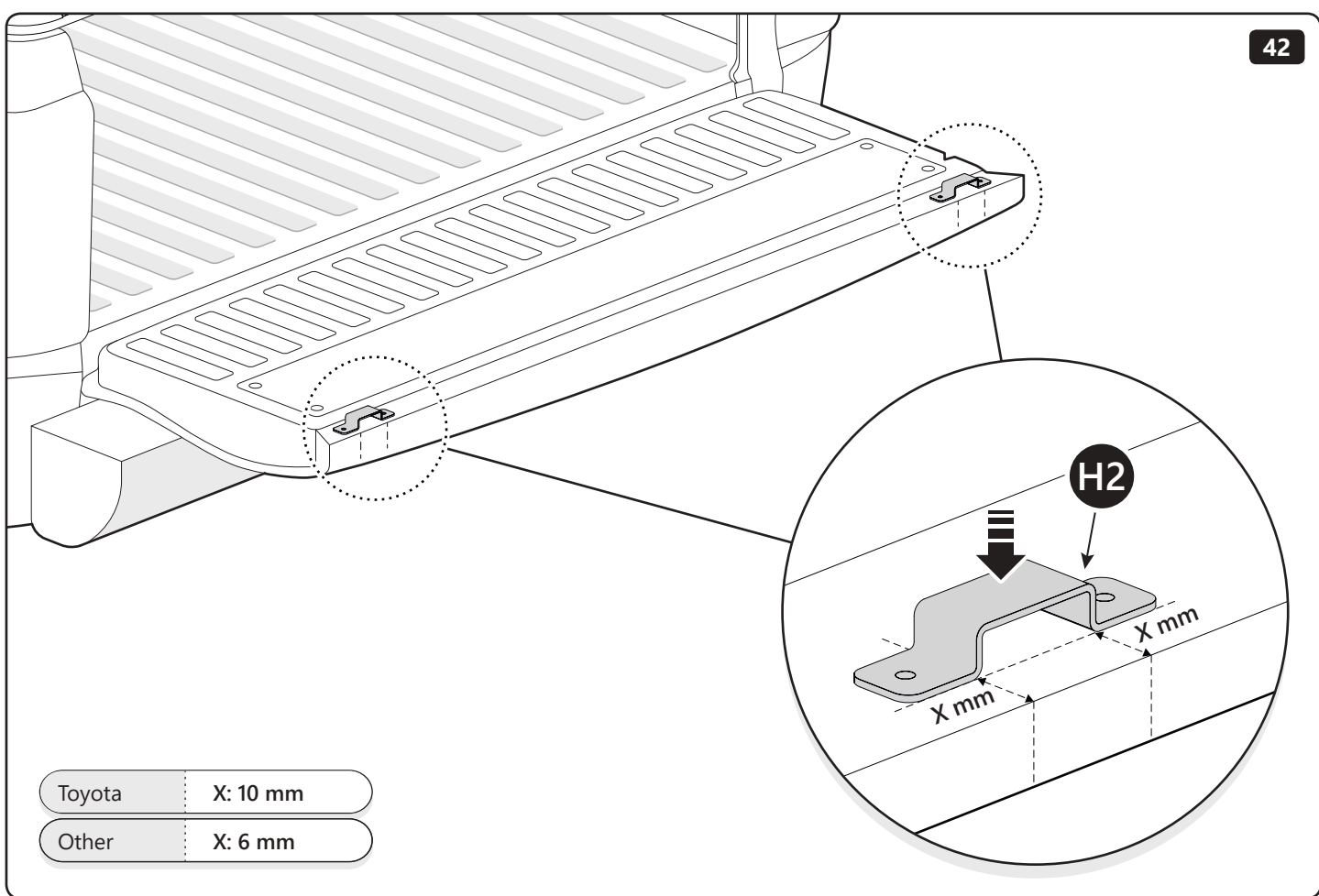
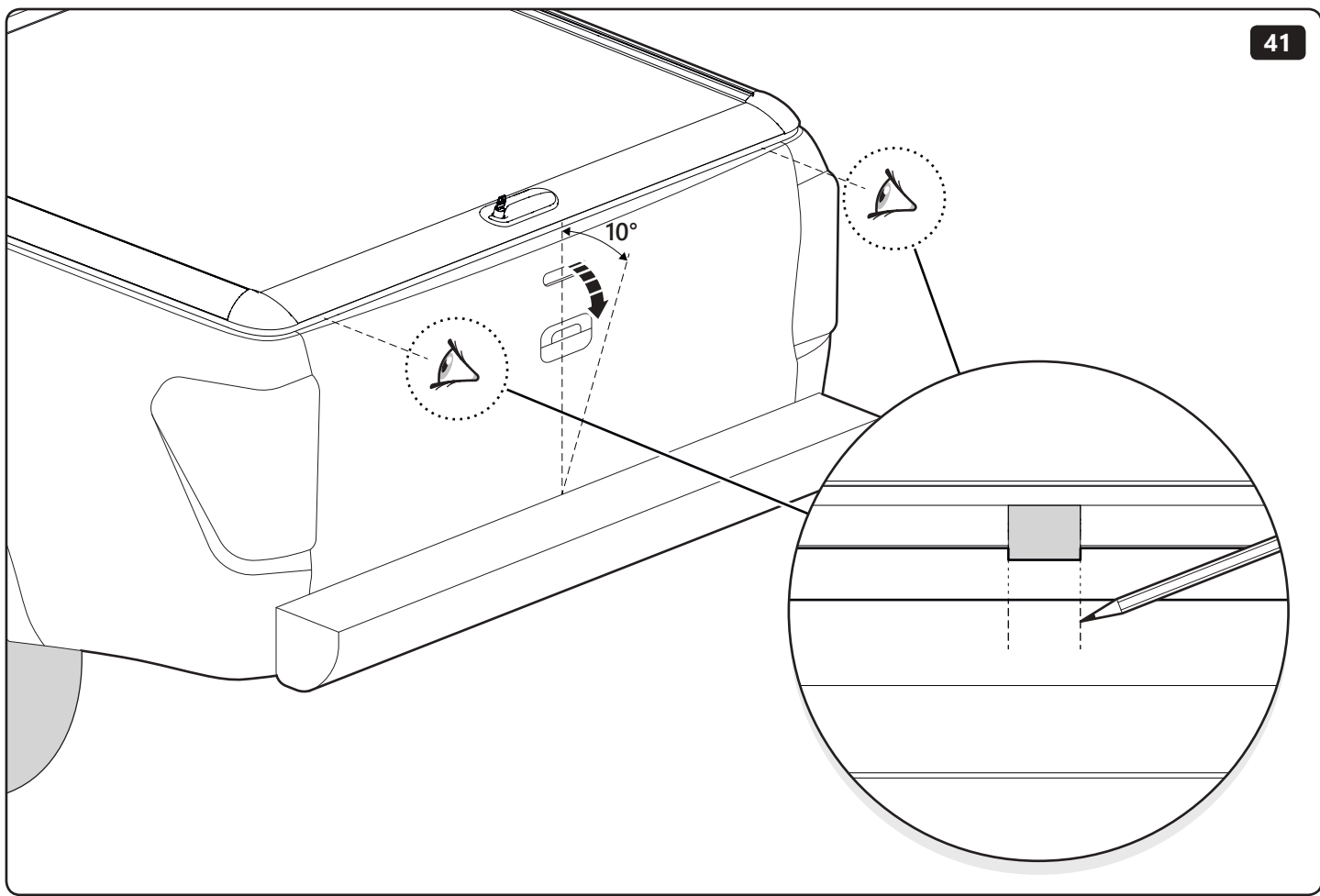
19mm

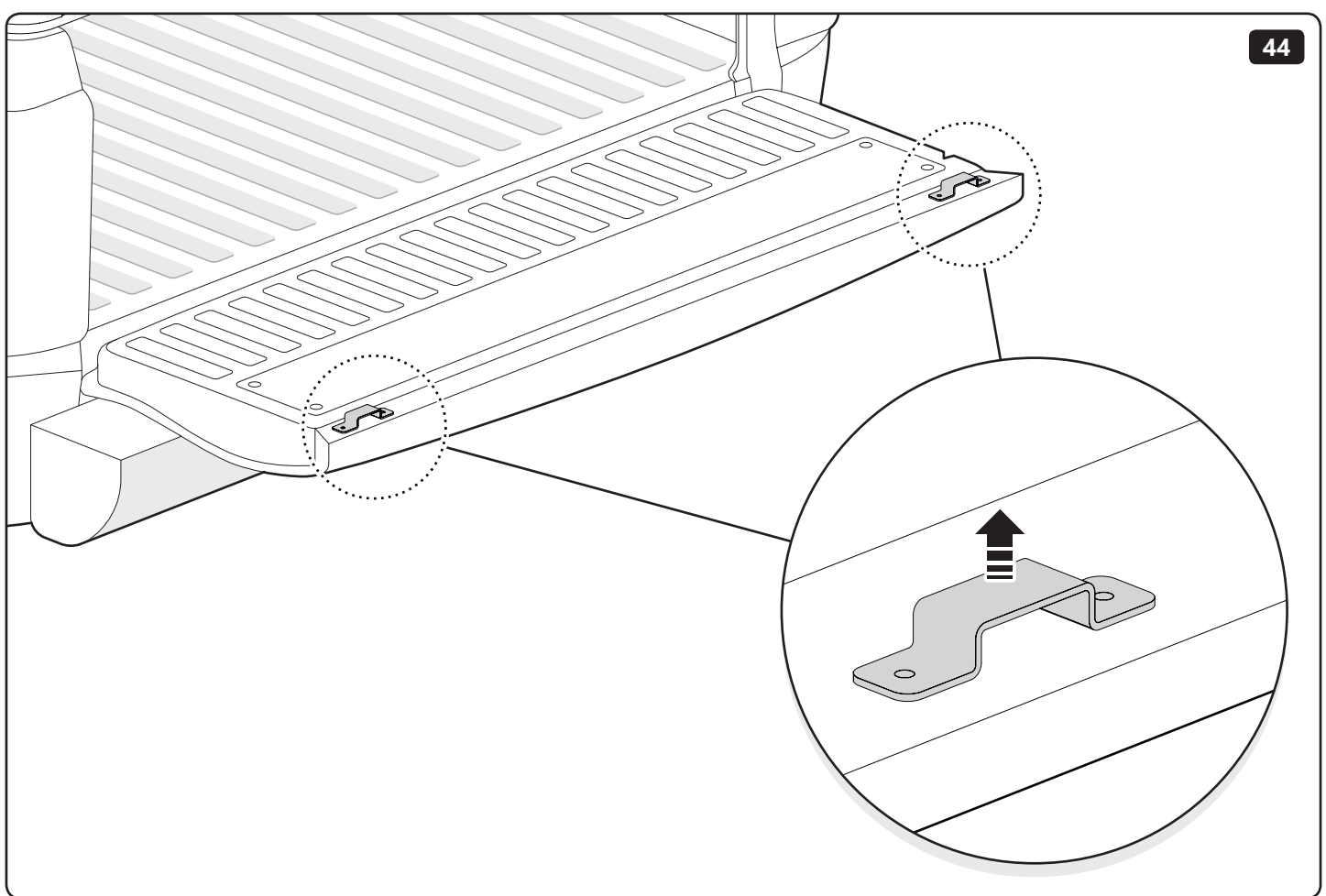
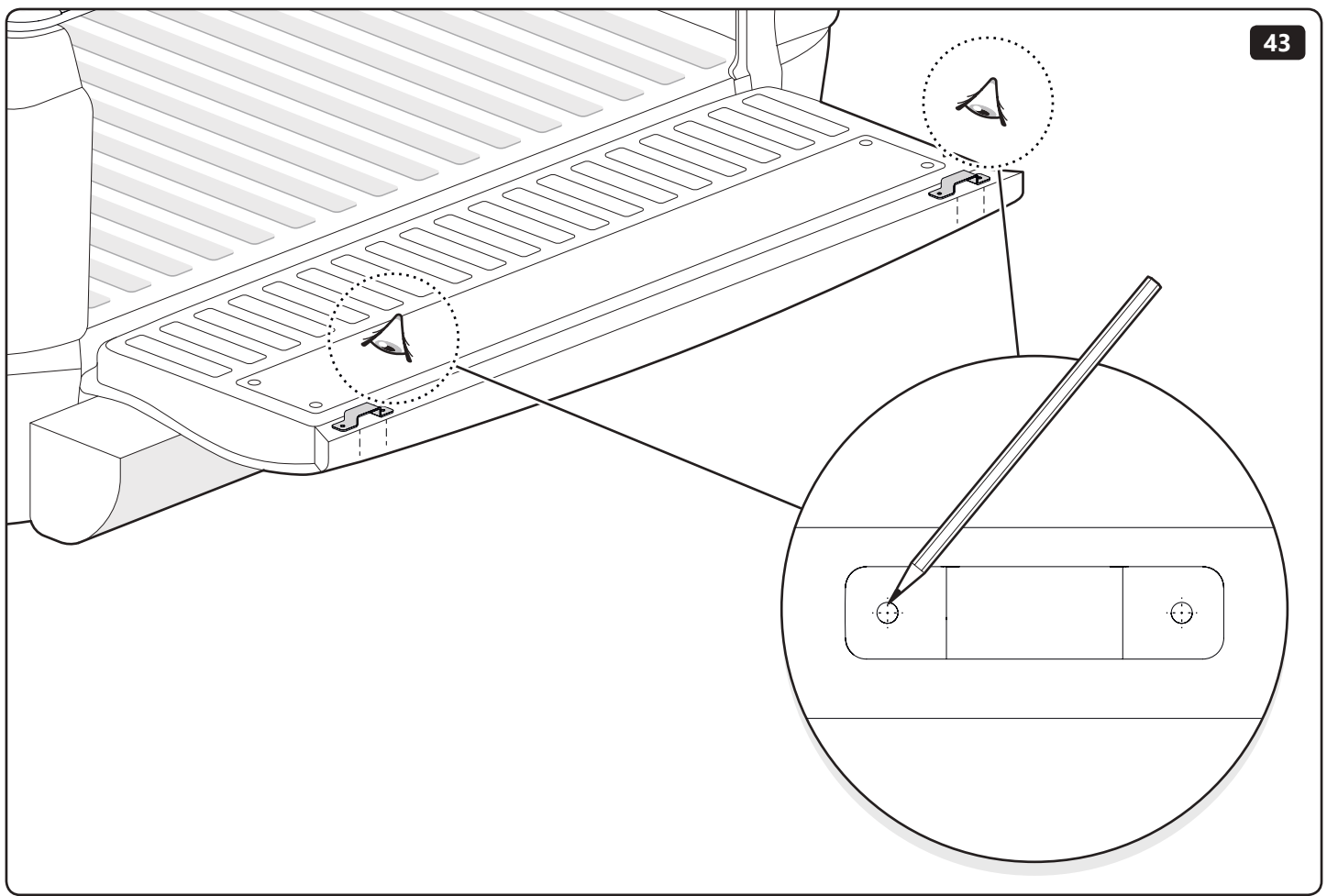


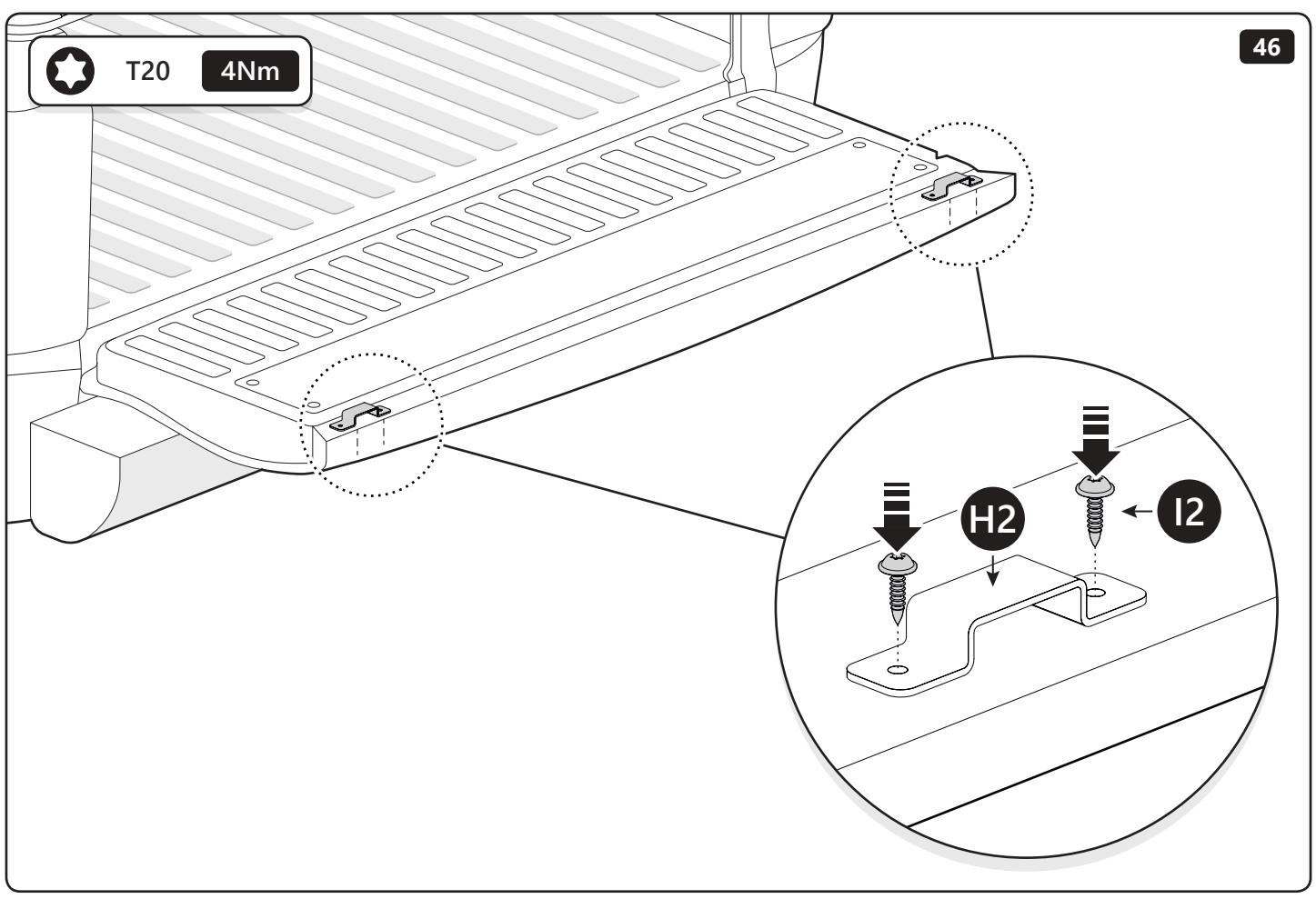
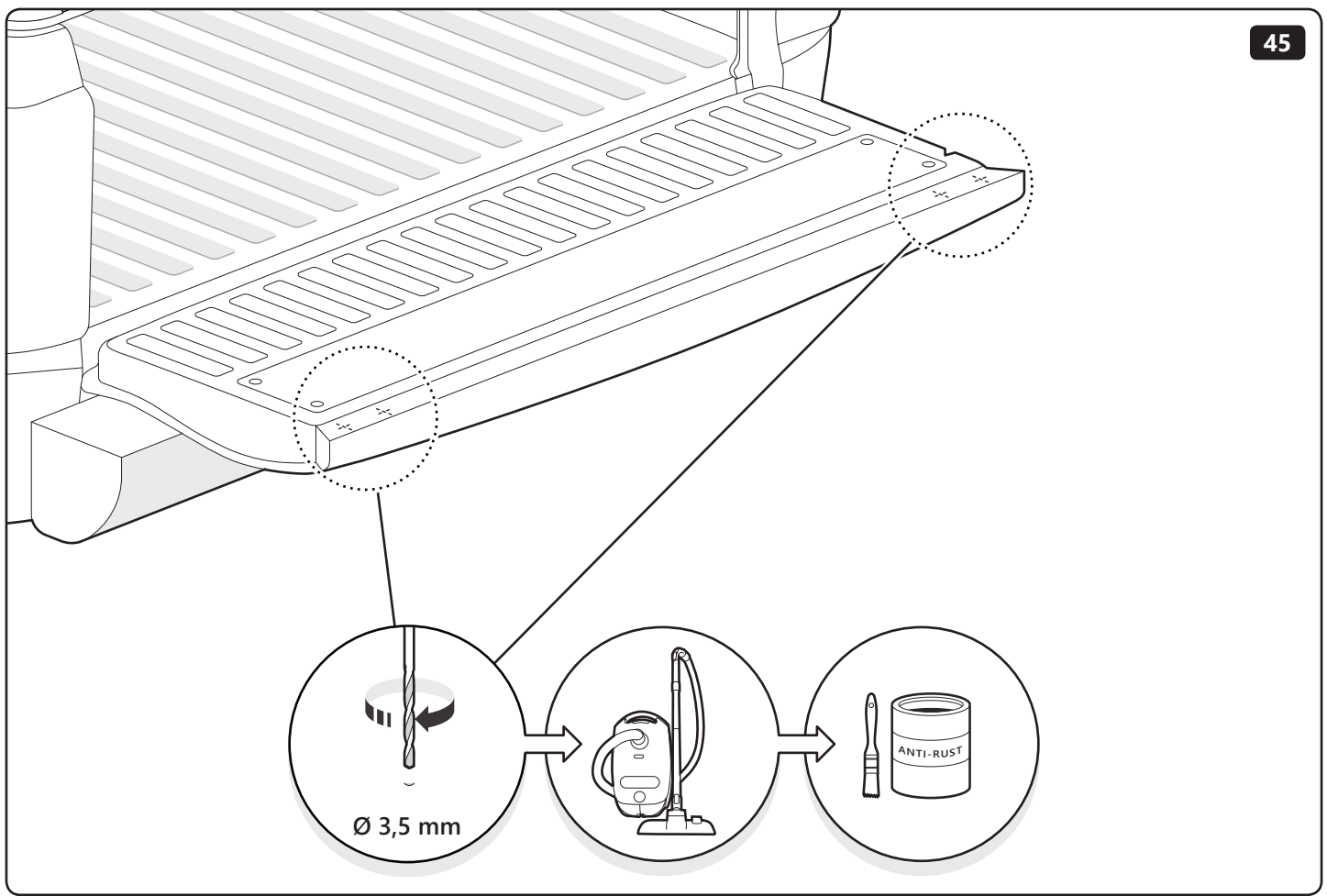
19mm 20Nm













Customer Service +45 4810 2950 (08:00 - 16:00 CET)
Fax +45 4810 2960
Support info@mountaintop.dk
Website www.mountaintop.dk
Address Pedersholmparken 10, 3600 Frederikssund, Denmark

PART NUMBER(S)	MODEL / YEAR	CAB TYPE(S)	INSTALLATION TIME	WEIGHT
MT2 TO90/91	Toyota / 2015 →	Double / Extra	1 hour(s)	29 - 40 Kg
MT2 IS90/91	Isuzu / 2006 - 2011	Double / Space	1 hour(s)	29 - 40 Kg
MT2 FO90/91	Ford / 2011 →	Double / Super	1 hour(s)	29 - 40 Kg
MT2 MI91	Mitsubishi / 2015 →	Club	1 hour(s)	29 - 40 Kg
MT2 VW80	Volkswagen / 2010 →	Double	1 hour(s)	29 - 40 Kg

GB Installation manual	S Monteringsanvisning	D Einbauanleitung
SF Asennusohje	E Instrucciones de montaje	CZ Návod k instalaci
F Notice de montage	H Szerelési utasítás	I Istruzioni de montaggio
PL Instrukcja montażu	P Instruções de instalação	GR Οδηγίες Εγκατάστασης
NL Installatie-instructies	RUS Инструкция по установке	DK Monteringsvejledning
TR Montaj Talimatı	N Monteringsveiledning	RO Instructiuni de instalare